



US00D729212S

(12) **United States Design Patent**
Adams et al.

(10) **Patent No.:** **US D729,212 S**

(45) **Date of Patent:** **** May 12, 2015**

(54) **ELECTRONIC HEADSET COUPLING MECHANISM**

(71) Applicant: **Nectar Sound Labs, LLC**, Irvine, CA (US)

(72) Inventors: **Erik Devon Adams**, Irvine, CA (US);
Brian Reyes Arandez, Ladera Ranch, CA (US)

(73) Assignee: **Nectar Sound Labs, LLC**, Lake Forest, CA (US)

(**) Term: **14 Years**

(21) Appl. No.: **29/464,854**

(22) Filed: **Aug. 21, 2013**

(51) **LOC (10) Cl.** **14-01**

(52) **U.S. Cl.**
USPC **D14/223**; D14/205

(58) **Field of Classification Search**
CPC H04R 25/00
USPC D14/205, 223, 433; 381/361, 380, 381, 381/322, 328; 379/430, 431, 433.05; D11/222, 228; 24/113 R, 113 MP
See application file for complete search history.

(56) **References Cited**

U.S. PATENT DOCUMENTS

| | | | | |
|-----------|-----|---------|-----------------|----------|
| 108,520 | A * | 10/1870 | Sackerman | 24/669 |
| 2,029,975 | A * | 2/1936 | Winchester | 242/129 |
| 2,325,590 | A * | 7/1943 | Carlisle et al. | 381/328 |
| 2,377,739 | A * | 6/1945 | Wyckoff | 181/132 |
| 2,477,046 | A * | 7/1949 | Davenport | 381/380 |
| 2,584,402 | A * | 2/1952 | Volkman | 181/129 |
| 2,595,672 | A * | 5/1952 | Greenwood | 381/322 |
| 2,606,255 | A * | 8/1952 | Tullis | 379/446 |
| 2,971,065 | A * | 2/1961 | Busse | 381/321 |
| 3,343,230 | A * | 9/1967 | Darvie | 24/113 R |
| 3,537,909 | A * | 11/1970 | Horton | 429/98 |
| 4,471,510 | A * | 9/1984 | DeRosa | 24/90.1 |

| | | | | |
|-----------|-----|--------|---------|---------|
| 4,585,089 | A * | 4/1986 | Topholm | 181/135 |
| 4,864,611 | A * | 9/1989 | Helmuth | 379/444 |
| D348,066 | S * | 6/1994 | Lucey | D14/223 |

(Continued)

Primary Examiner — Paula Greene

(74) *Attorney, Agent, or Firm* — Knobbe, Martens, Olson & Bear, LLP

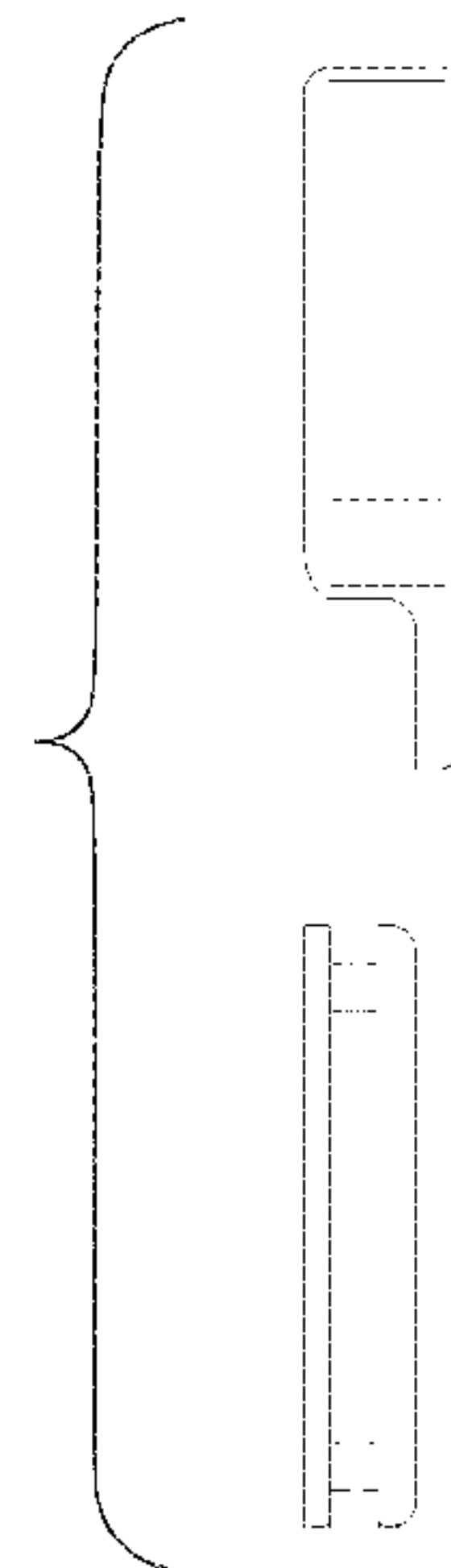
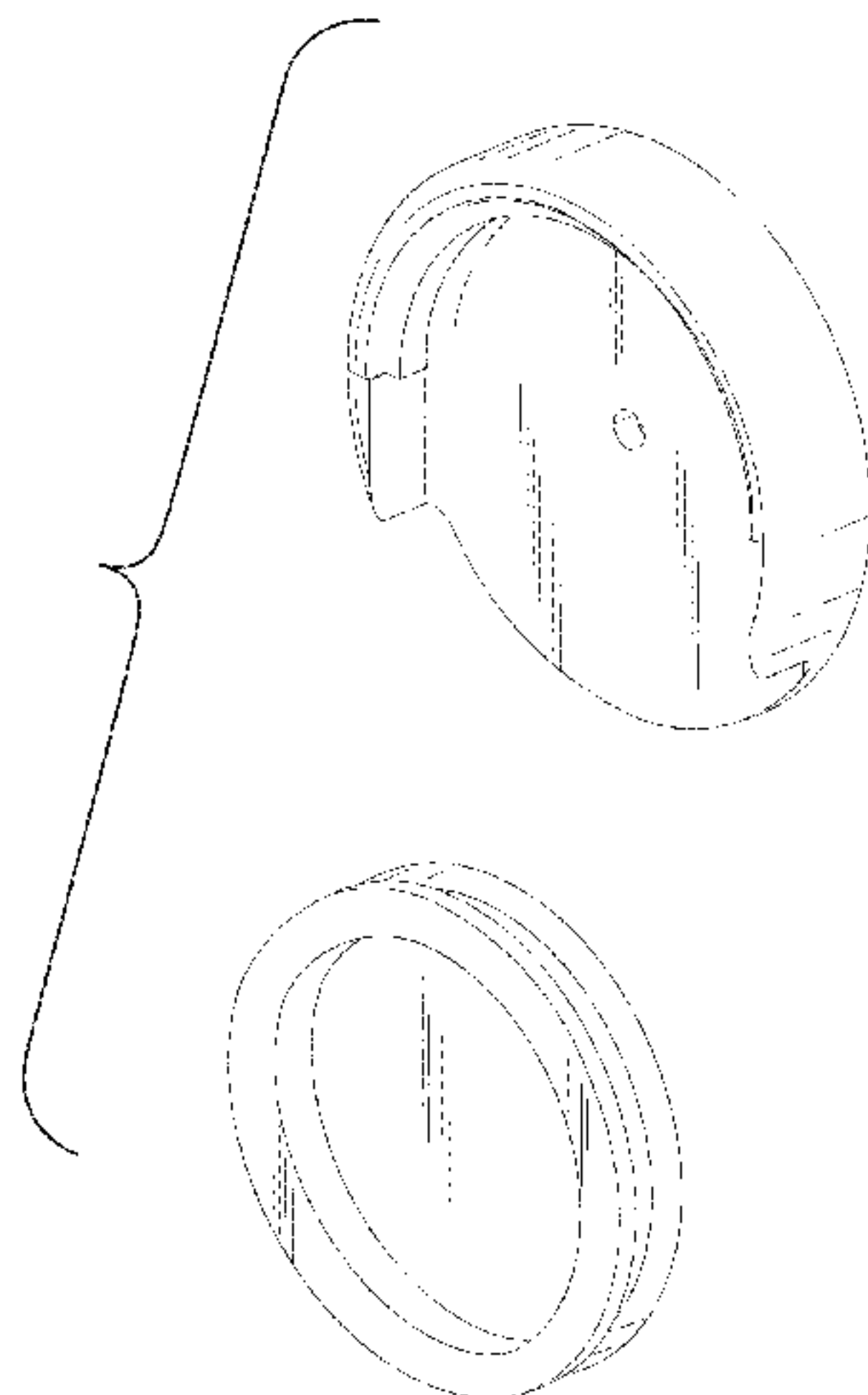
(57) **CLAIM**

The ornamental design for an electronic headset coupling mechanism, as shown and described.

DESCRIPTION

FIG. 1 is a bottom side perspective view of an electronic headset coupling mechanism that is arranged and configured in accordance with one embodiment;
 FIG. 2 is a bottom view of the electronic headset coupling mechanism of FIG. 1;
 FIG. 3 is a top view of the electronic headset coupling mechanism of FIG. 1;
 FIG. 4 is a front view of the electronic headset coupling mechanism of FIG. 1;
 FIG. 5 is a rear view of the electronic headset coupling mechanism of FIG. 1;
 FIG. 6 is a left side view of the electronic headset coupling mechanism of FIG. 1;
 FIG. 7 is a right side view of the electronic headset coupling mechanism of FIG. 1;
 FIG. 8 is a bottom perspective view of the electronic headset housing of FIG. 1.
 FIG. 9 is a right side cross section view of the electronic headset coupling mechanism of FIG. 1.
 FIG. 10 is a bottom view of an electronic headset coupling mechanism that is arranged and configured in accordance with a second view;
 FIG. 11 is a left side view of the electronic headset coupling mechanism of FIG. 10;
 FIG. 12 is a front view of the electronic headset coupling mechanism of FIG. 10; and,
 FIG. 13 is a front bottom perspective view of the electronic headset coupling mechanism of FIG. 10.

1 Claim, 10 Drawing Sheets



(56)

References Cited

U.S. PATENT DOCUMENTS

| | | | | | | | | | |
|-----------|-----|---------|--------------|---------|--------------|------|---------|------------------|-----------|
| 5,319,163 | A * | 6/1994 | Scott | 181/130 | D618,668 | S * | 6/2010 | Dunlap | D14/223 |
| 5,613,011 | A * | 3/1997 | Chase et al. | 381/361 | 7,769,195 | B2 * | 8/2010 | Ho | 381/361 |
| D481,709 | S * | 11/2003 | Solderits | D14/228 | D628,990 | S * | 12/2010 | Pedersen | D14/223 |
| D514,094 | S * | 1/2006 | Griffin | D14/223 | D638,398 | S * | 5/2011 | Morison | D14/205 |
| | | | | | D664,124 | S * | 7/2012 | Smith et al. | D14/223 |
| | | | | | 2004/0226145 | A1 * | 11/2004 | Ouellette et al. | 24/113 MP |
| | | | | | 2007/0201716 | A1 * | 8/2007 | Wang | 381/361 |

* cited by examiner

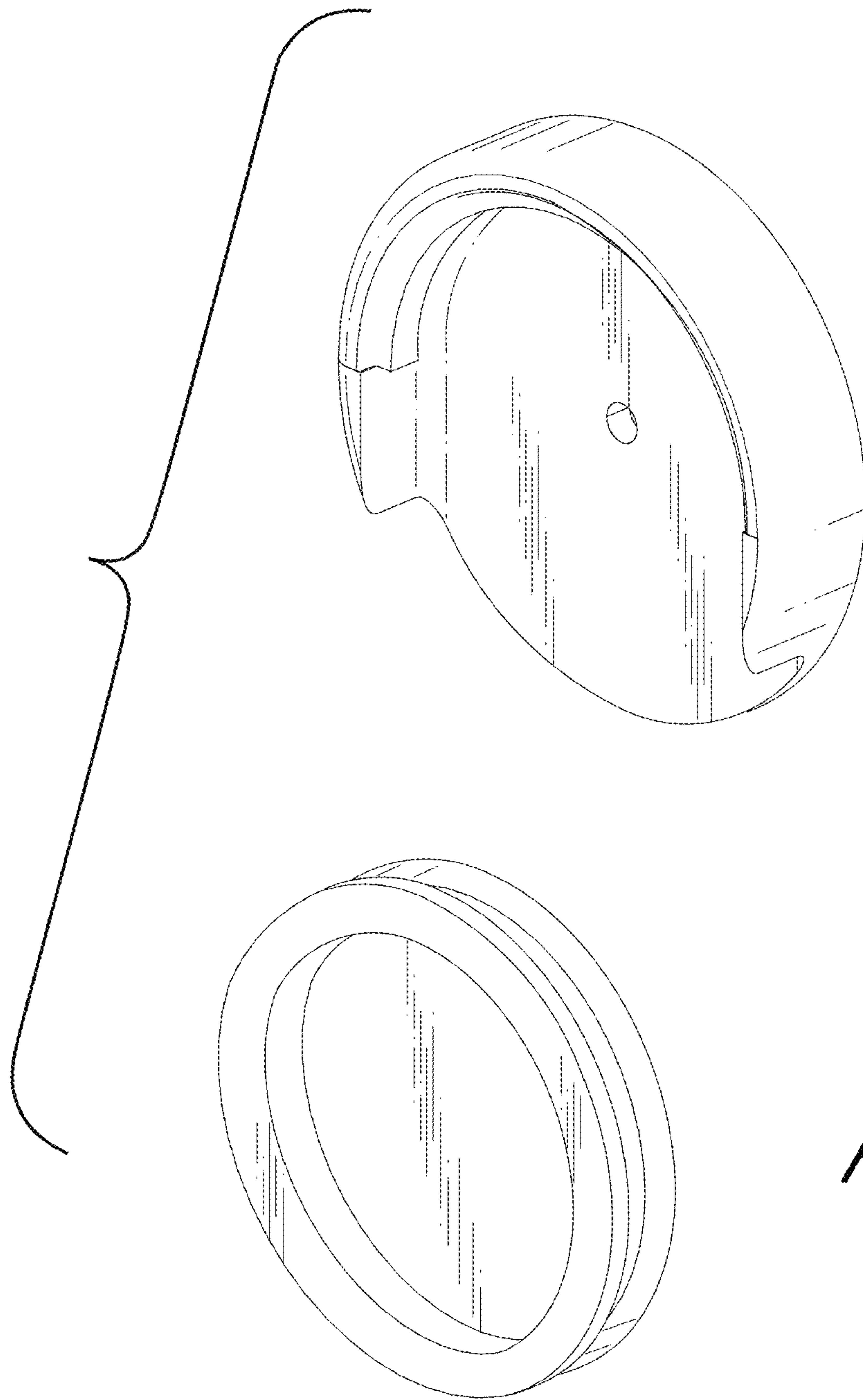


FIG. 1

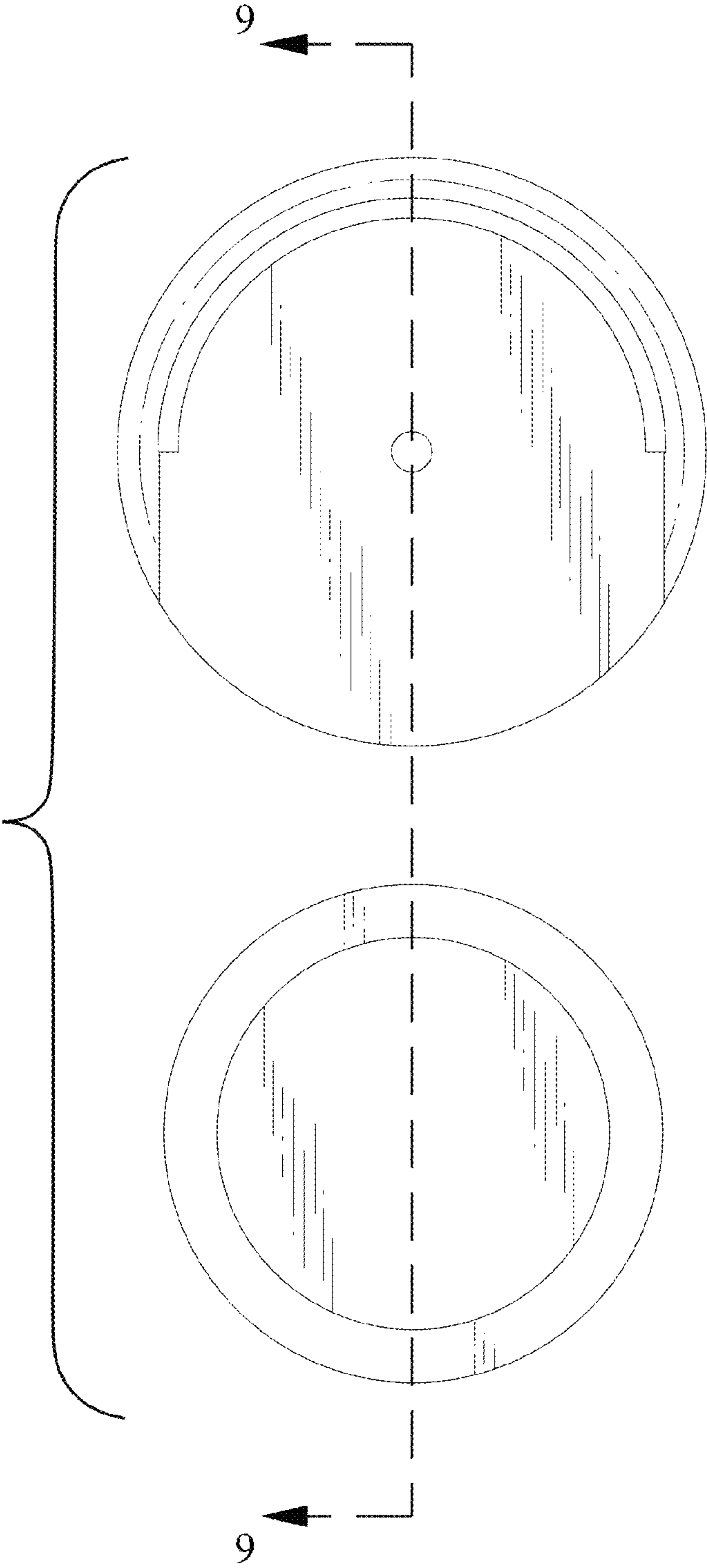


FIG. 2

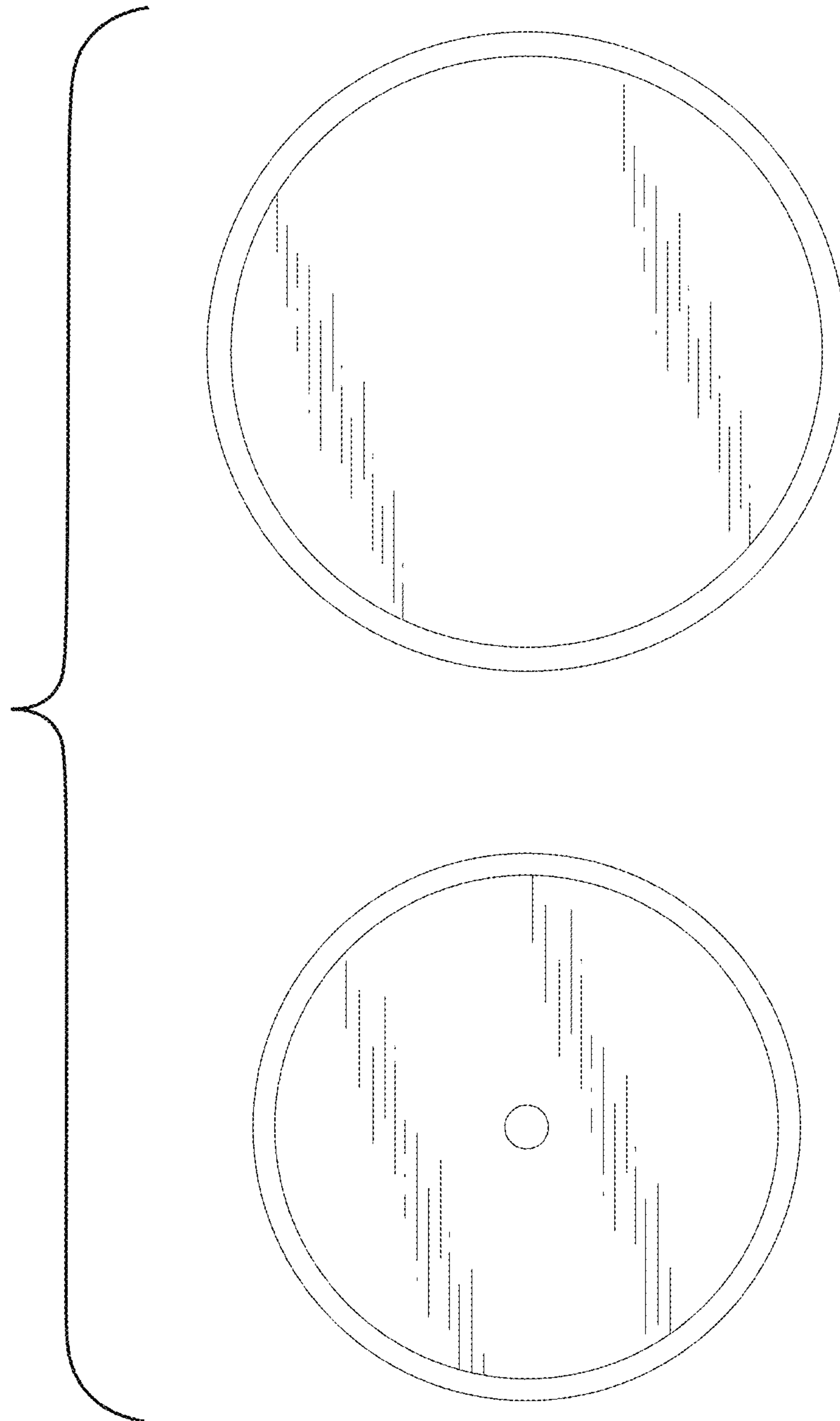


FIG. 3

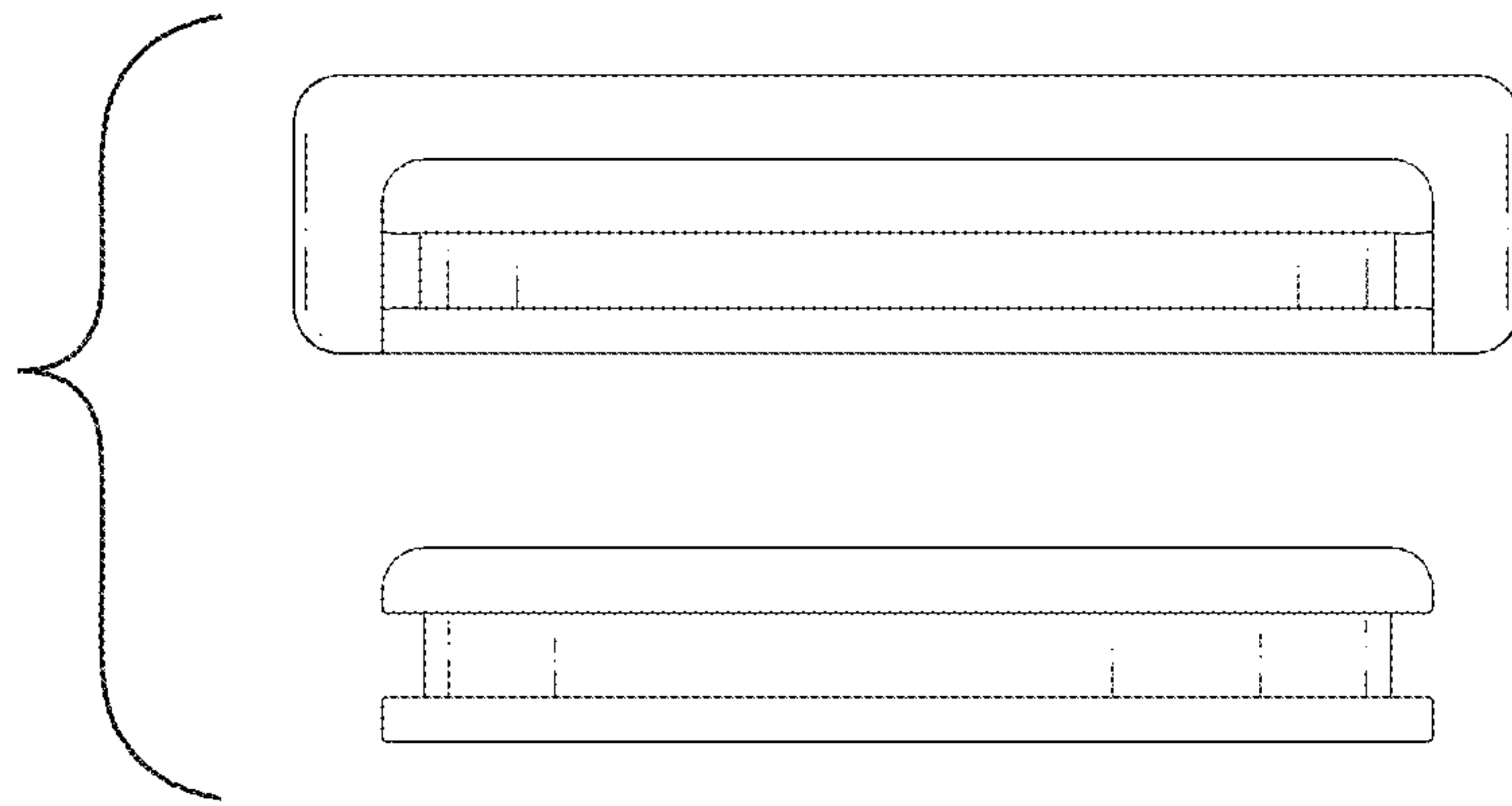


FIG. 4

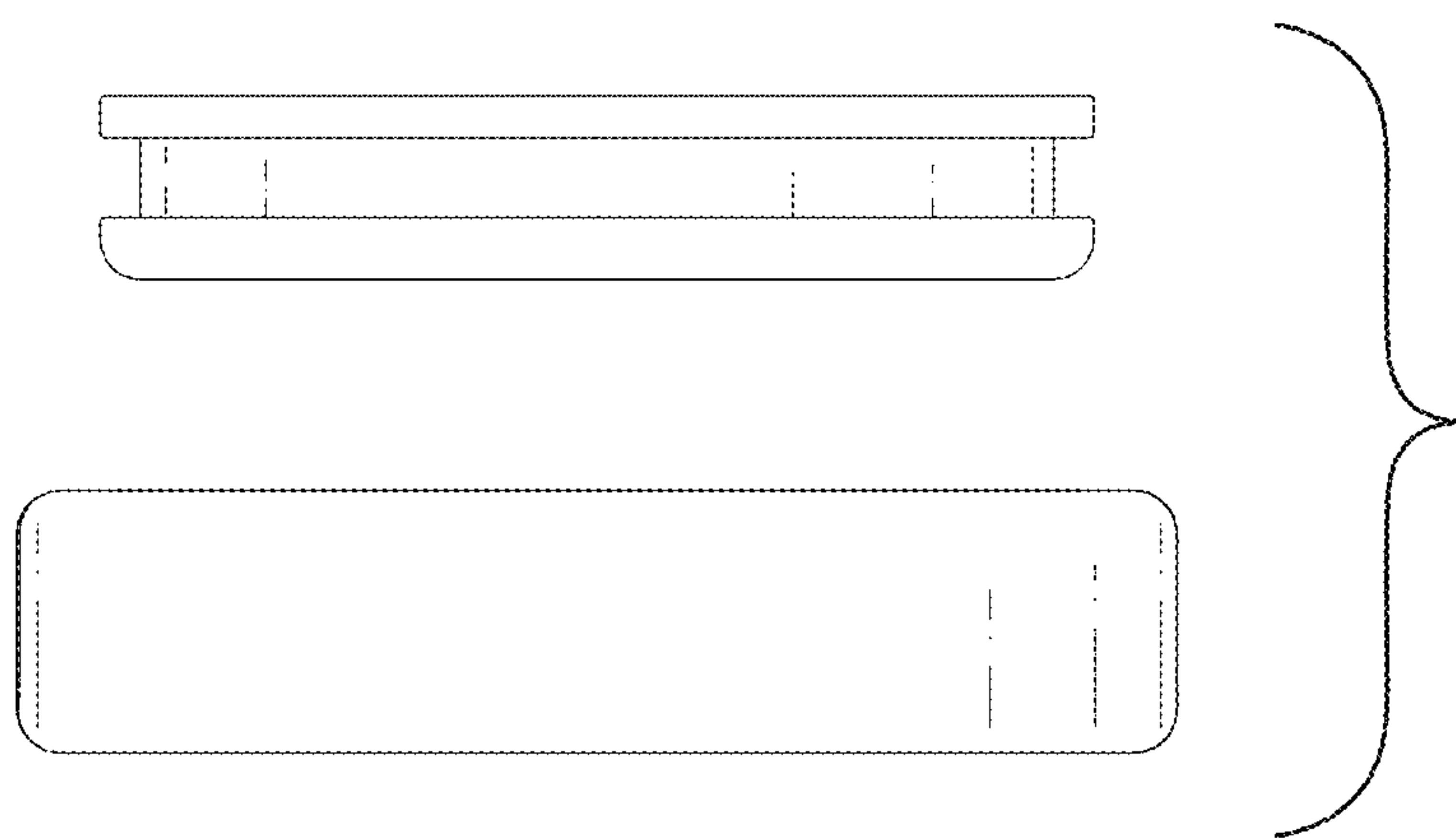


FIG. 5

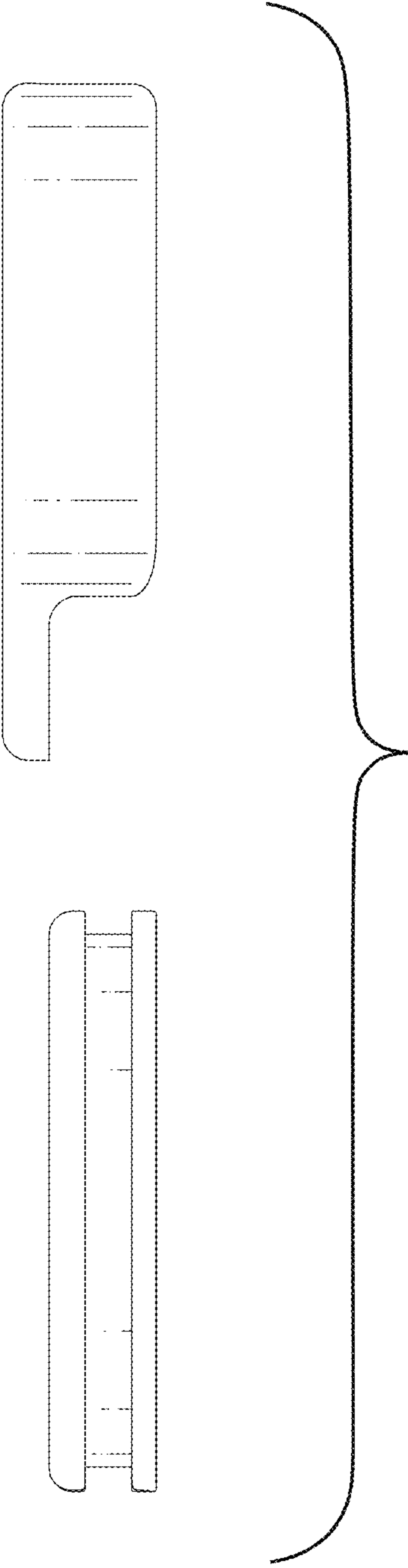


FIG. 6

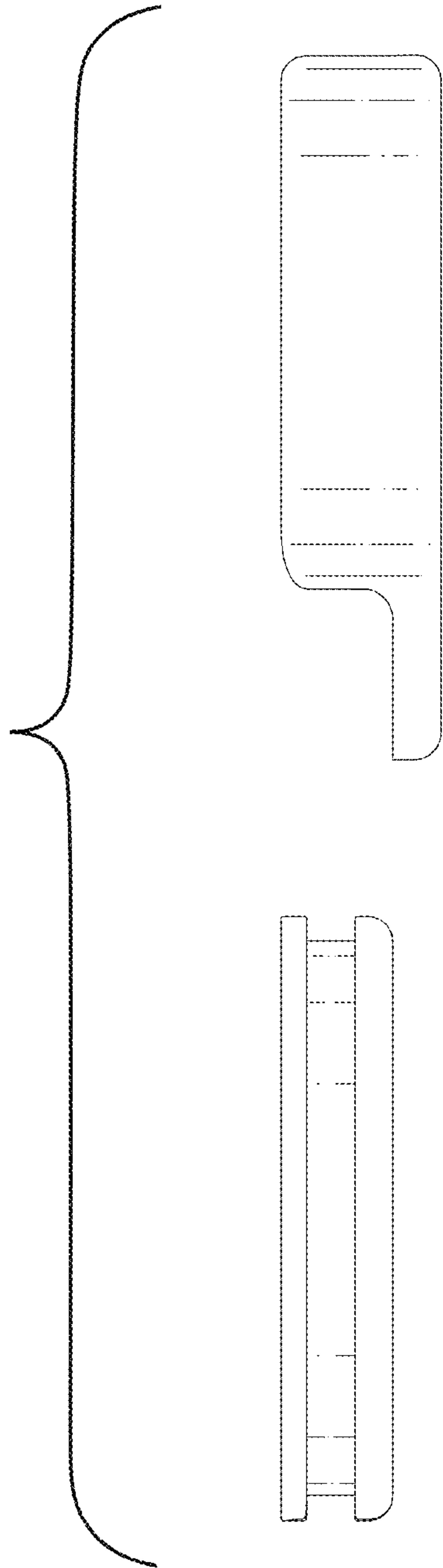


FIG. 7

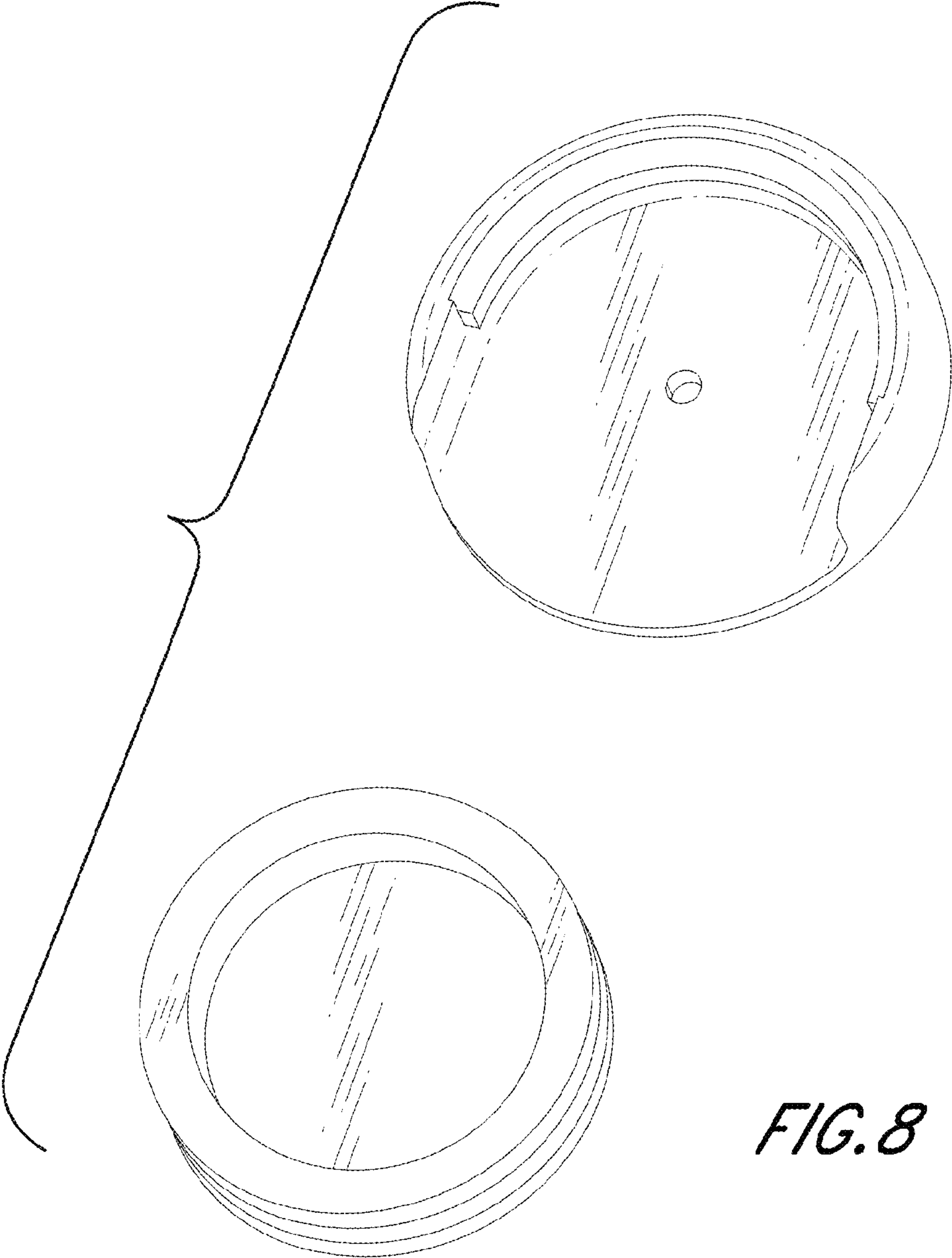


FIG. 8

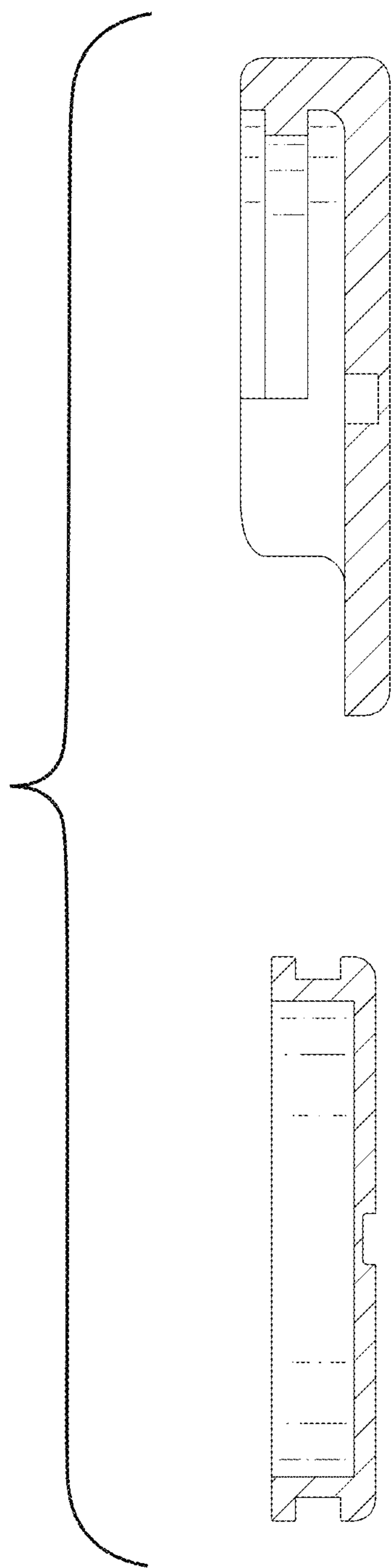


FIG. 9

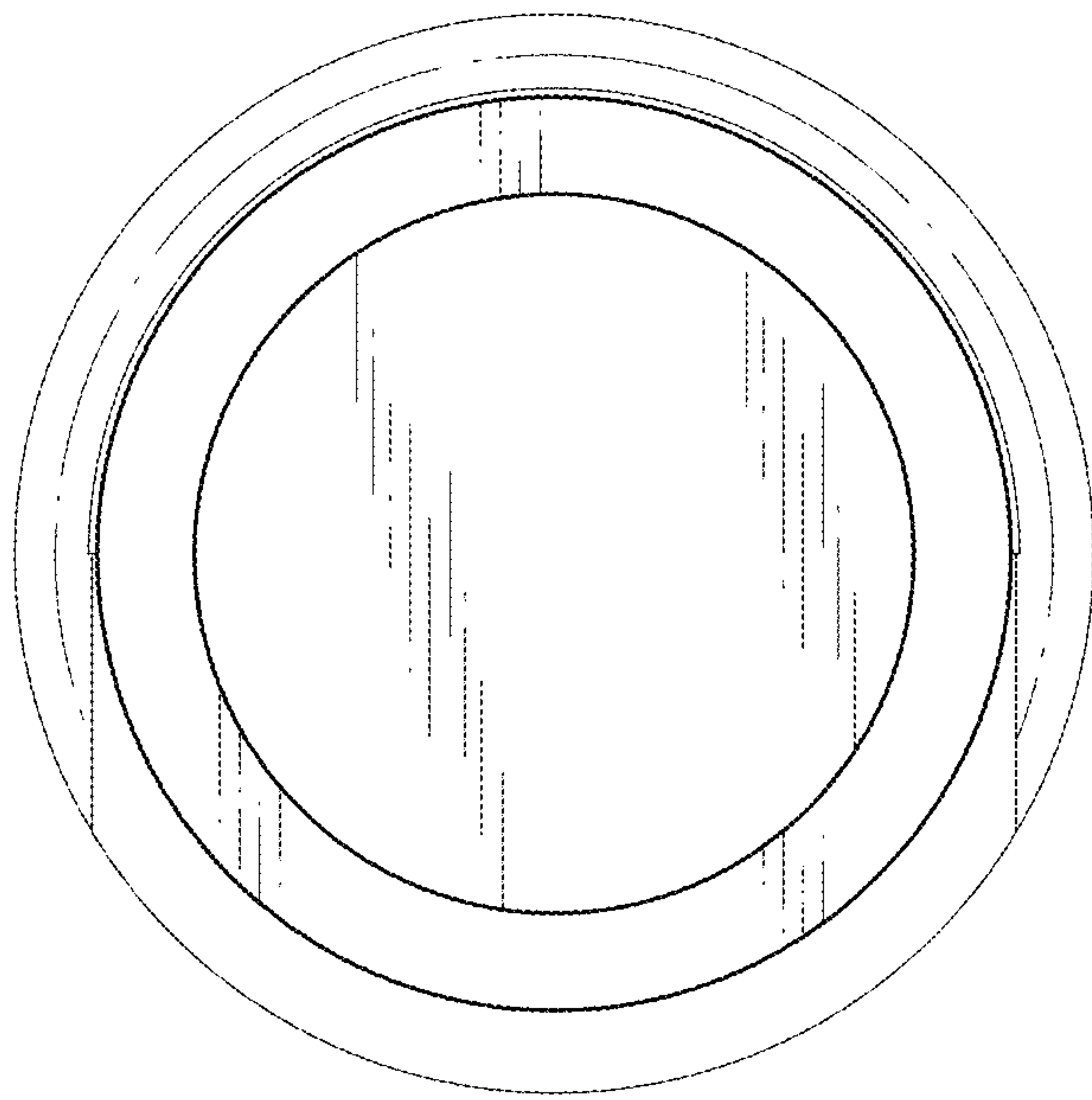


FIG. 10

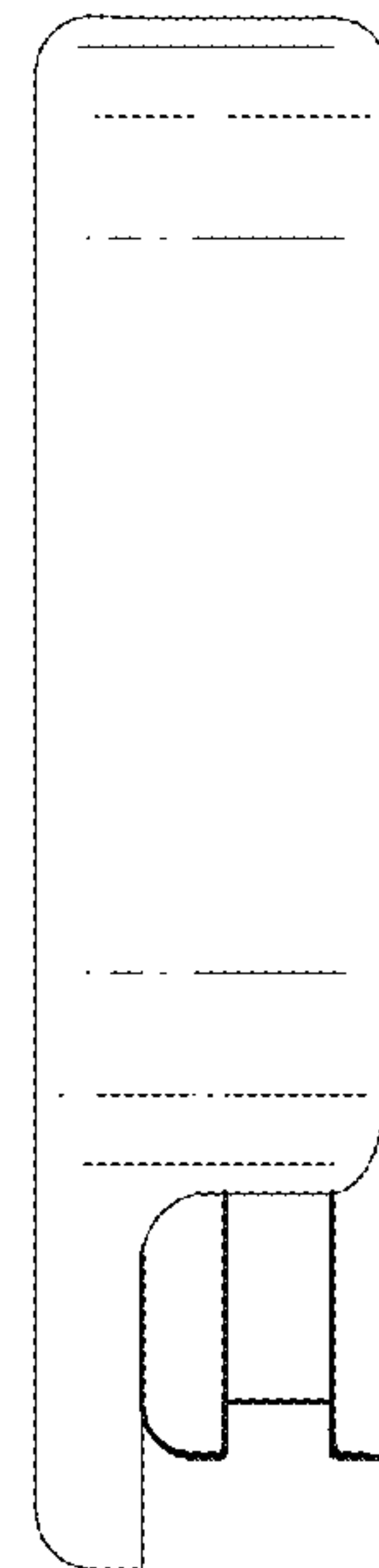


FIG. 11

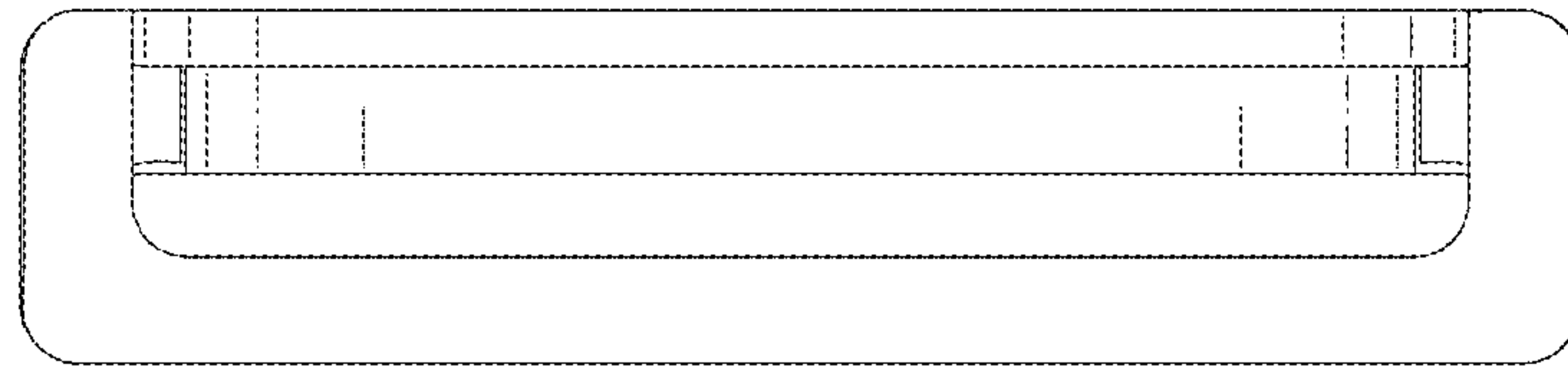


FIG. 12

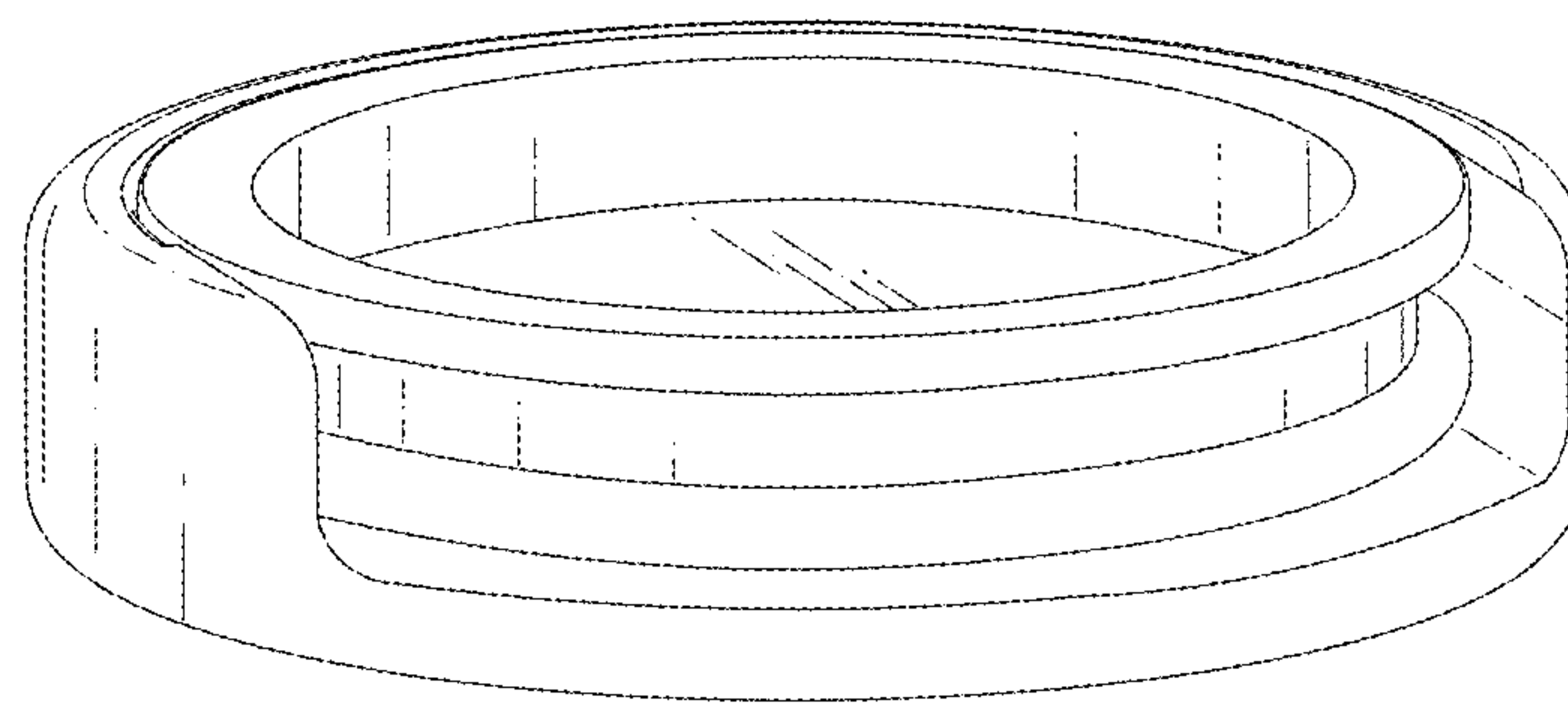


FIG. 13