



US00D729206S

(12) **United States Design Patent**
Ann et al.

(10) **Patent No.:** **US D729,206 S**
(45) **Date of Patent:** **** May 12, 2015**

(54) **DOCKING AUDIO**

(71) Applicant: **Samsung Electronics Co., Ltd.**,
Suwon-si (KR)
(72) Inventors: **Sung-Jin Ann**, Seoul (KR); **Bong-Kun Shin**, Seoul (KR)
(73) Assignee: **Samsung Electronics Co., Ltd.**,
Suwon-si (KR)

(**) Term: **14 Years**
(21) Appl. No.: **29/462,768**
(22) Filed: **Aug. 8, 2013**

(30) **Foreign Application Priority Data**
Feb. 13, 2013 (KR) 30-2013-0007432
(51) **LOC (10) Cl.** **14-03**
(52) **U.S. Cl.**
USPC **D14/216**
(58) **Field of Classification Search**
USPC D14/167, 168, 170–172, 188, 194–196,
D14/204, 207, 209.1, 210–216, 219, 221,
D14/222, 224, 496, 434, 217, 203.8;
181/143, 144, 147, 148, 150, 153, 157,
181/198, 199; 381/300–303, 306, 332, 333,
381/336, 345, 361–364, 386–388;
369/6–12

See application file for complete search history.

(56) **References Cited**

U.S. PATENT DOCUMENTS

D474,998 S *	5/2003	Green	D12/114
D534,520 S *	1/2007	Caspi et al.	D14/168
D534,521 S *	1/2007	Caspi et al.	D14/168
D587,245 S *	2/2009	Morra	D14/215
D587,686 S *	3/2009	Lee	D14/214
D633,077 S *	2/2011	Miller	D14/168
D704,678 S *	5/2014	Katsumata	D14/209.1

* cited by examiner

Primary Examiner — Keli L Hill
(74) *Attorney, Agent, or Firm* — NSIP Law

(57) **CLAIM**

The ornamental design for a docking audio, as shown and described.

DESCRIPTION

FIG. 1 is a perspective view of a docking audio, showing our new design;
FIG. 2 is a front view thereof;
FIG. 3 is a rear view thereof;
FIG. 4 is a left-side view thereof;
FIG. 5 is a right-side view thereof;
FIG. 6 is a top view thereof;
FIG. 7 is a bottom view thereof; and,
FIG. 8 is another perspective view thereof, in which a mobile device in broken lines is shown to illustrate an example environment.
The shade lines in the figures show contour and not surface ornamentation.
The broken lines shown are included for the purpose of illustrating portions of the speaker that form no part of the claim.

1 Claim, 8 Drawing Sheets

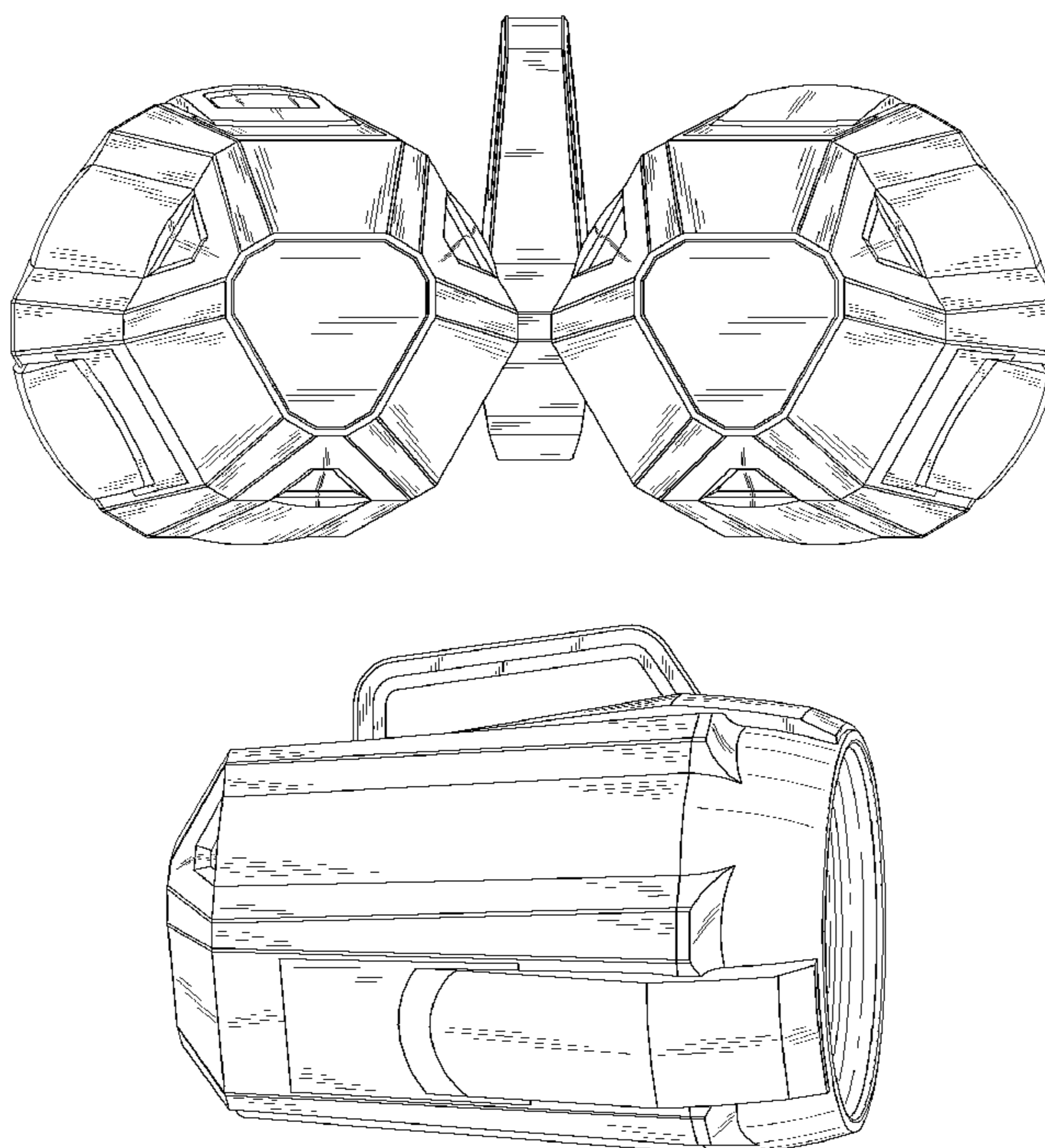


FIG. 1

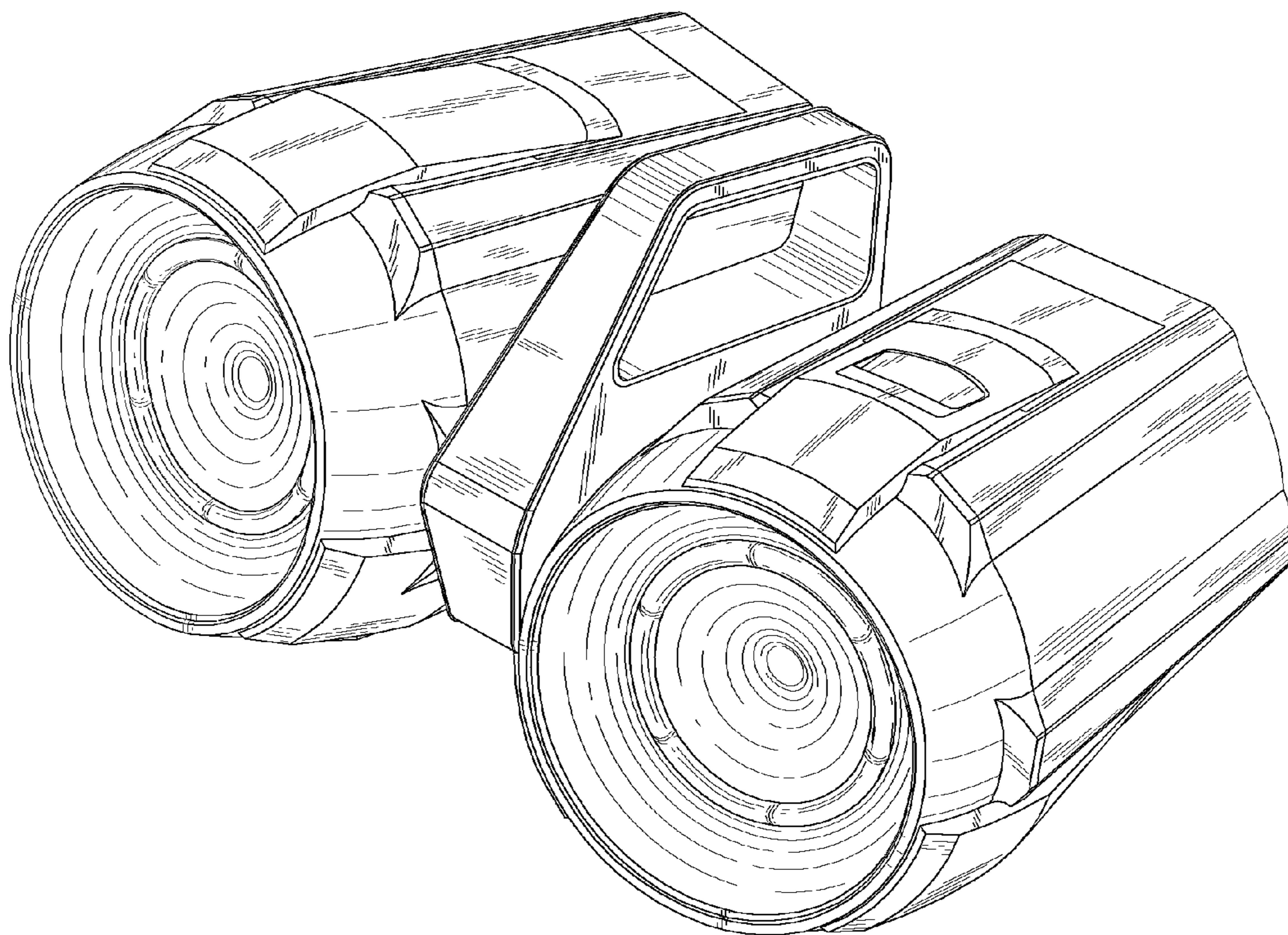


FIG. 2

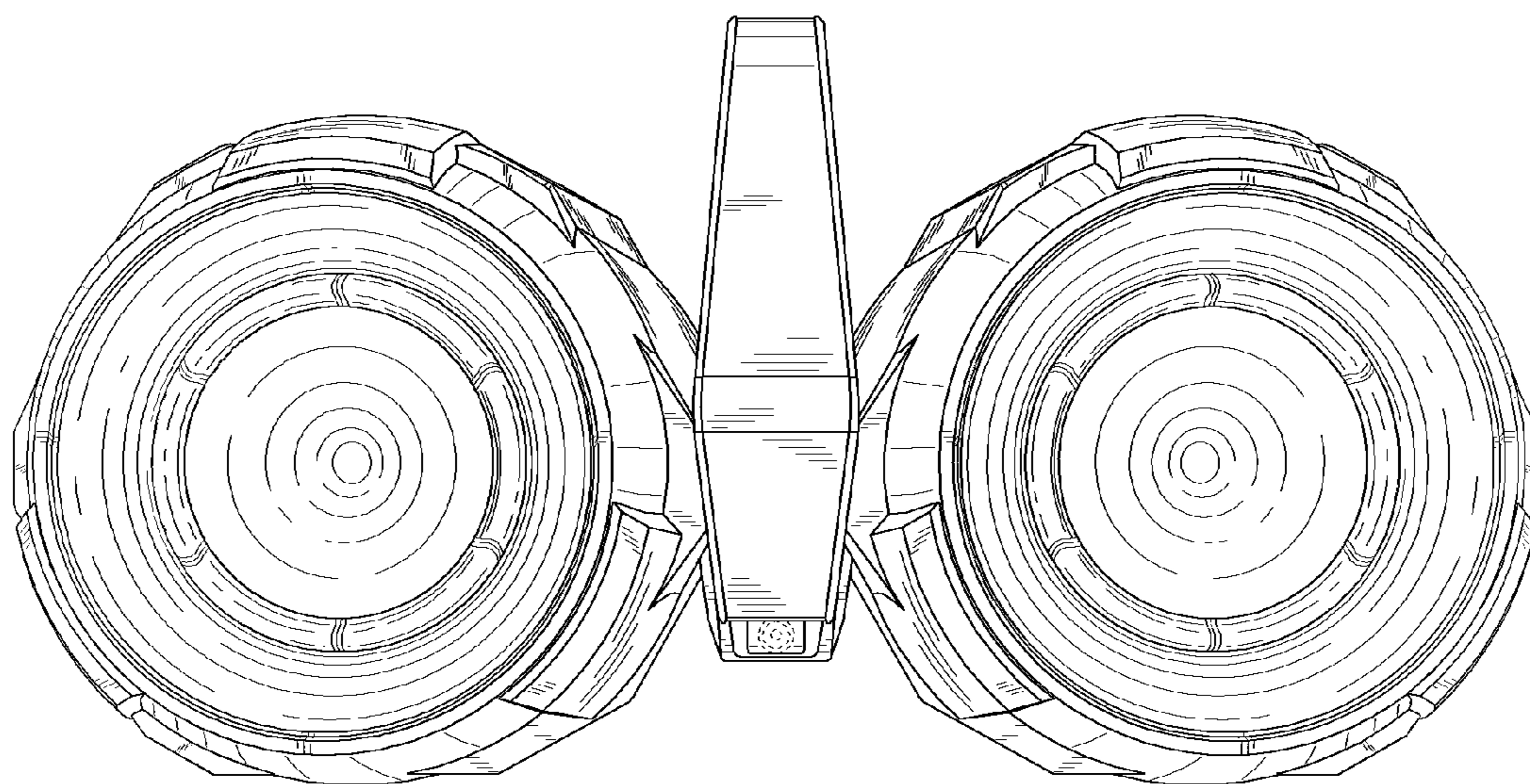


FIG. 3

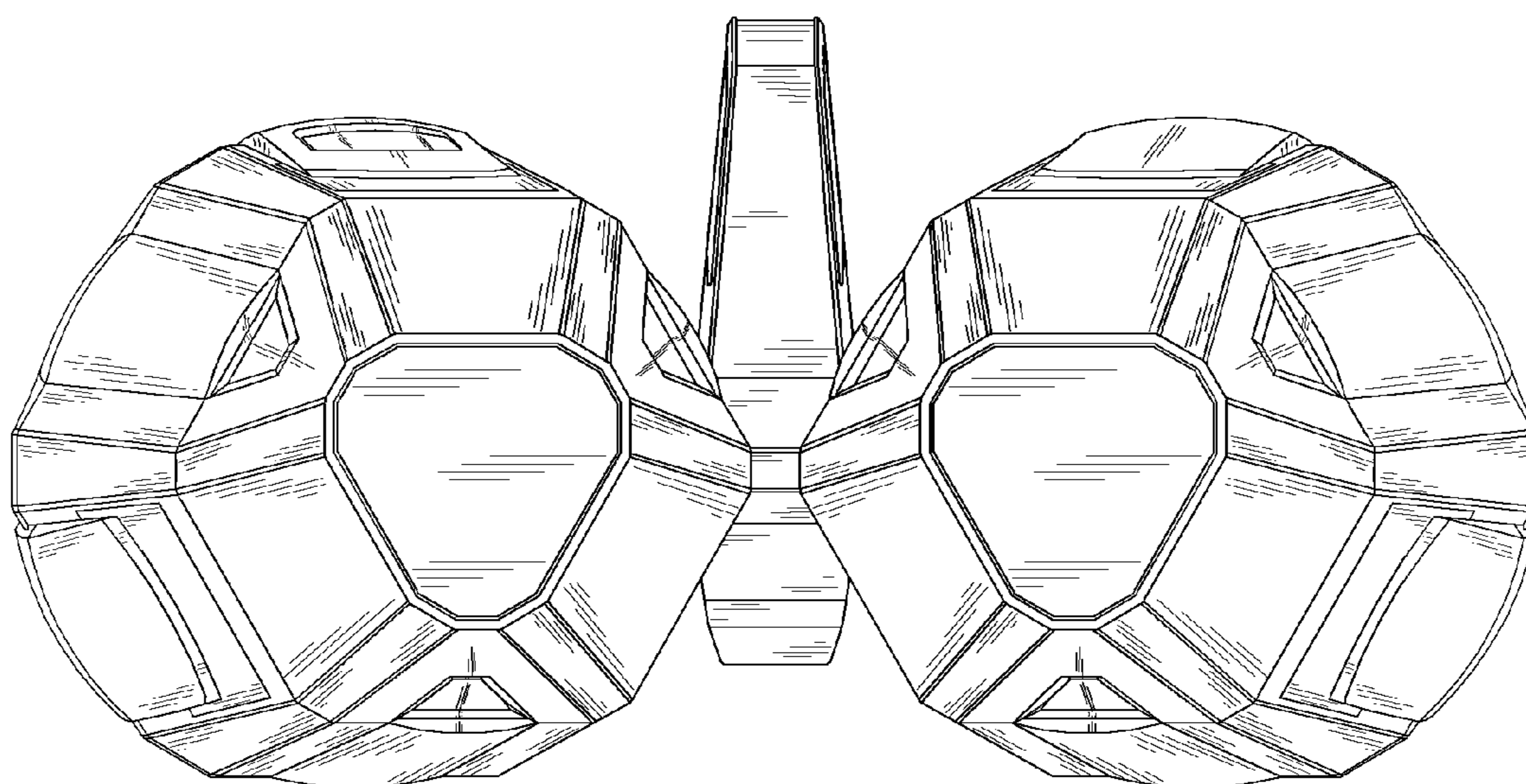


FIG. 4

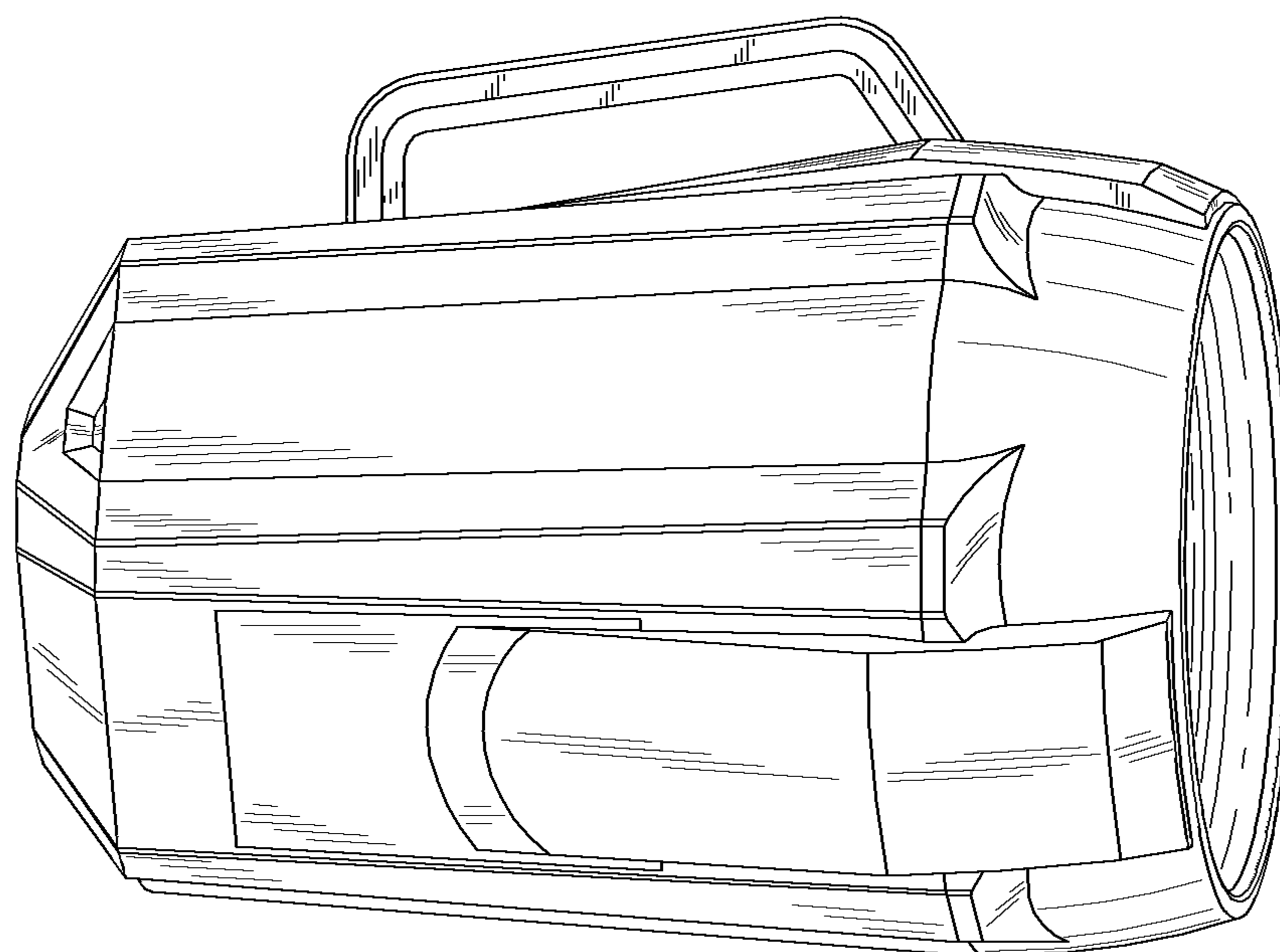


FIG. 5

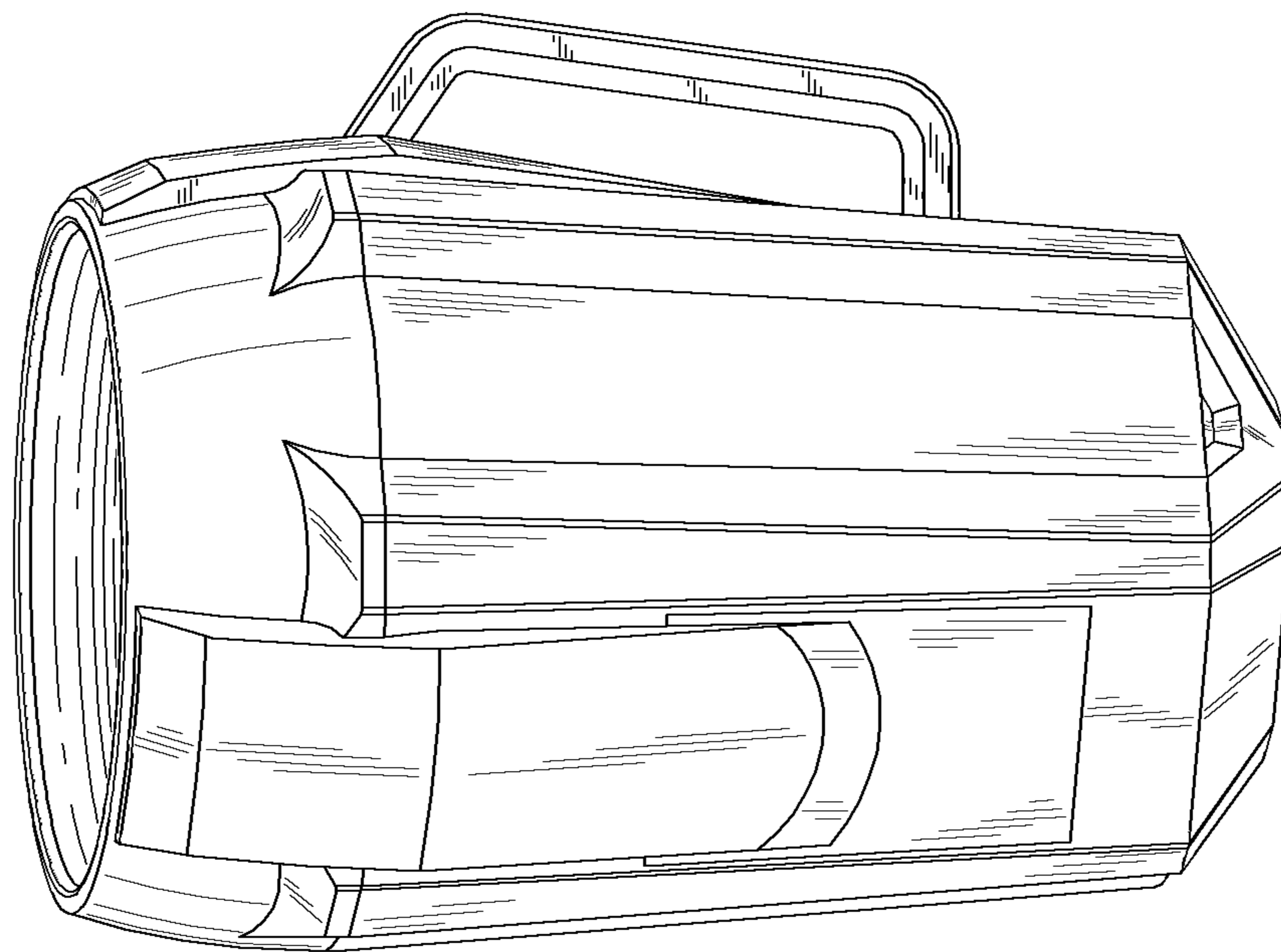


FIG. 6

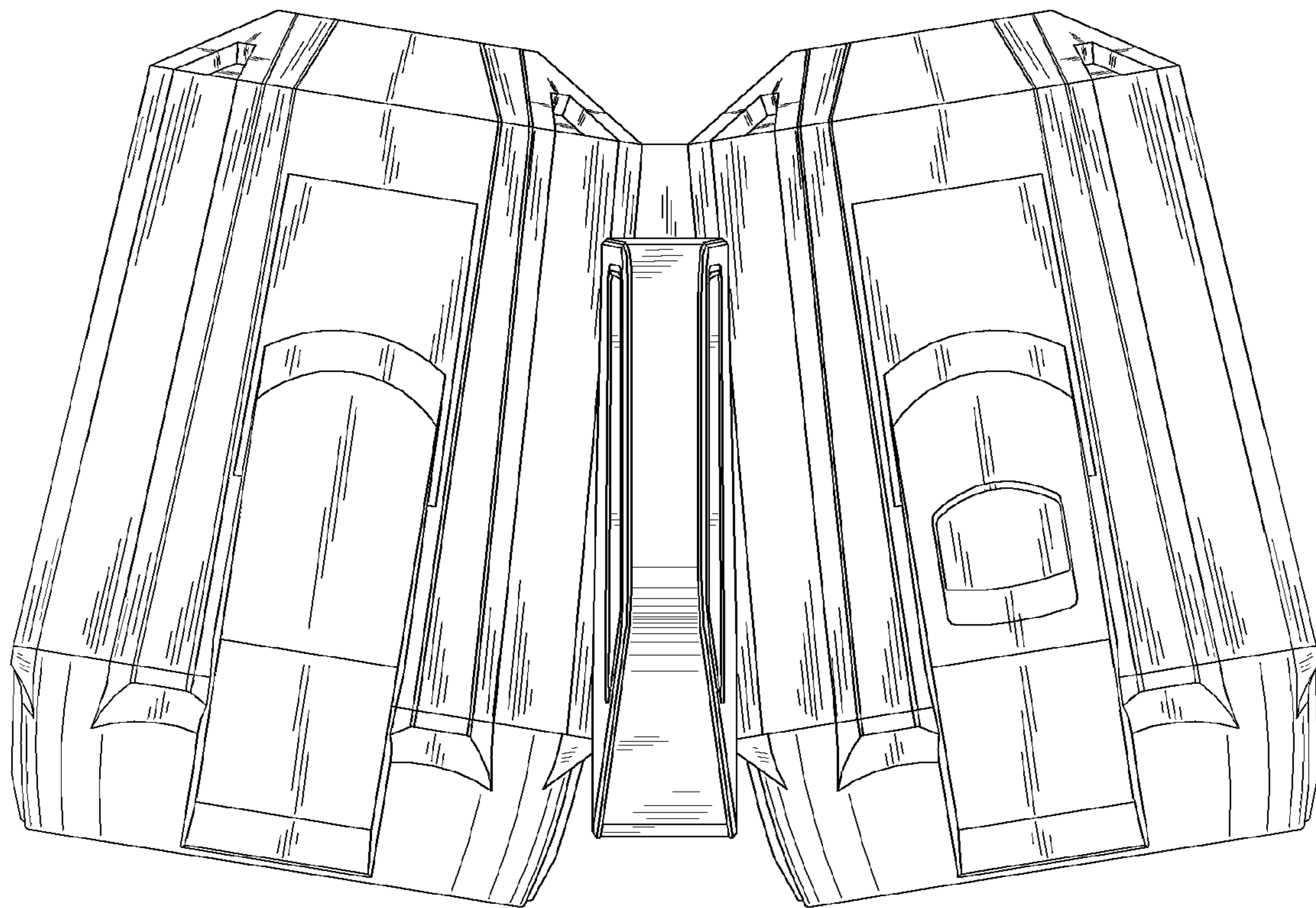


FIG. 7

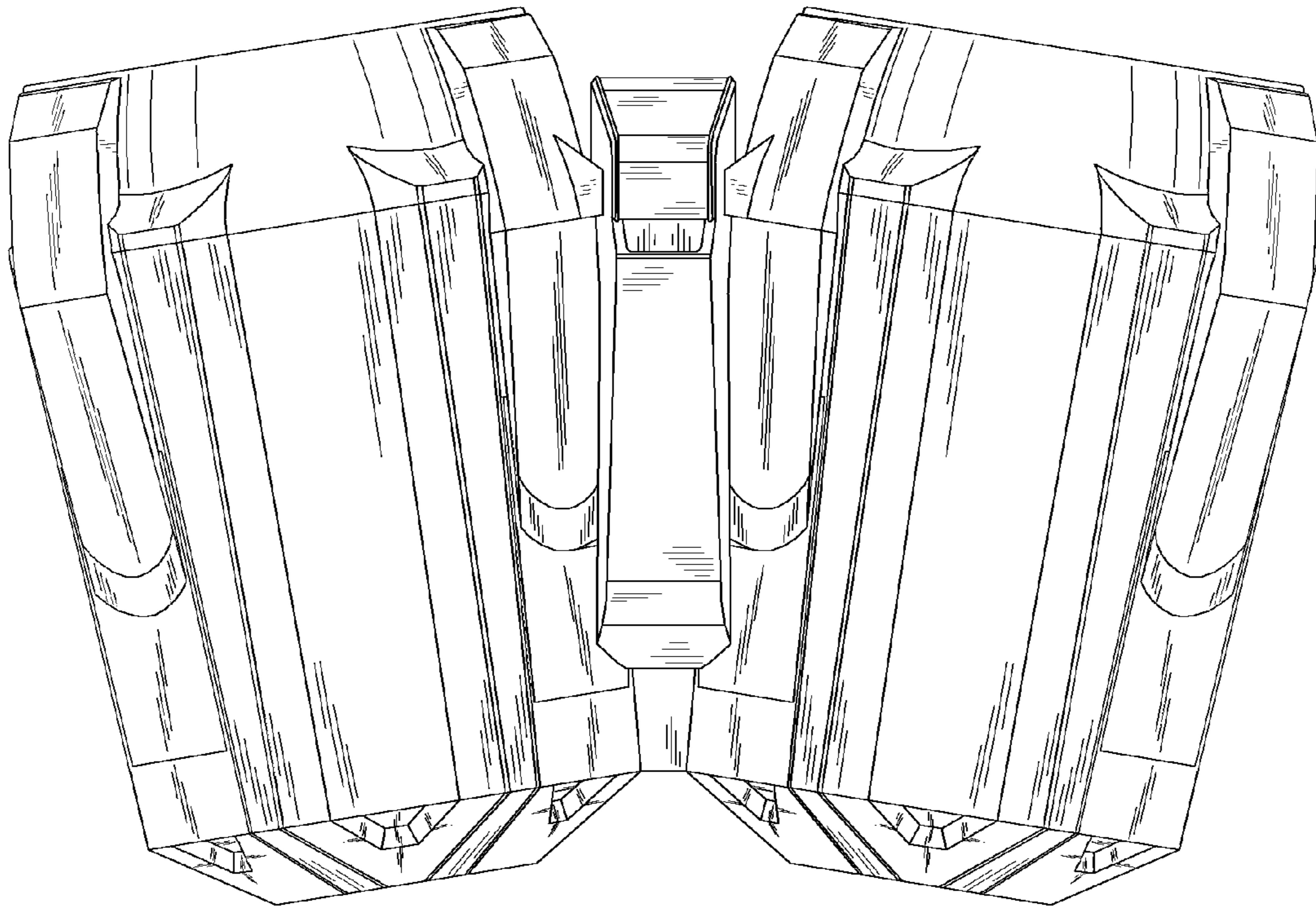


FIG. 8

