



US00D729204S

(12) **United States Design Patent**
Tze-Yen

(10) **Patent No.:** **US D729,204 S**
(45) **Date of Patent:** **** May 12, 2015**

(54) **SPEAKER**

(71) Applicant: **XMI Pte. Ltd.**, Singapore (SG)

(72) Inventor: **Lee Tze-Yen**, Charleston (SG)

(73) Assignee: **XMI Pte. Ltd.**, Singapore (SG)

(**) Term: **14 Years**

(21) Appl. No.: **29/438,413**

(22) Filed: **Nov. 29, 2012**

(30) **Foreign Application Priority Data**

May 29, 2012 (CN) 2012 3 0204848

(51) **LOC (10) Cl.** **14-03**

(52) **U.S. Cl.**
USPC **D14/216**

(58) **Field of Classification Search**
USPC D14/167, 168, 170–172, 188, 194–196,
D14/204, 207, 209.1, 210–216, 219, 221,
D14/222, 224, 496; 181/143, 144, 147, 148,
181/150, 153, 157, 198, 199; 381/300–303,
381/306, 332, 333, 336, 345, 361–364,
381/386–388; 369/6–12

See application file for complete search history.

(56) **References Cited**

U.S. PATENT DOCUMENTS

D602,911 S	*	10/2009	Wang et al.	D14/216
D607,876 S	*	1/2010	Huang	D14/216
D610,572 S	*	2/2010	Skurdal	D14/216
D610,573 S	*	2/2010	Joseph	D14/216
D620,480 S	*	7/2010	Garrett	D14/216
D635,554 S	*	4/2011	Lee	D14/216
D643,408 S	*	8/2011	Huang	D14/216
D656,486 S	*	3/2012	Parraga Gimeno	D14/216
D691,587 S	*	10/2013	Ferber et al.	D14/216

D694,218 S	*	11/2013	Szymanski	D14/216
D695,713 S	*	12/2013	Szymanski	D14/216
D695,714 S	*	12/2013	Lee	D14/216
D699,218 S	*	2/2014	Lee	D14/216
D699,219 S	*	2/2014	Lee	D14/216
D699,220 S	*	2/2014	Lee	D14/216
D699,222 S	*	2/2014	Paslowski	D14/216
D710,826 S	*	8/2014	Holzer	D14/216

* cited by examiner

Primary Examiner — Keli L Hill

(74) *Attorney, Agent, or Firm* — Oblon, McClelland, Maier & Neustadt, L.L.P.

(57) **CLAIM**

The ornamental design for a speaker, as shown and described.

DESCRIPTION

FIG. 1 is a front, top, and left side perspective view of a speaker;

FIG. 2 is a front elevational view thereof;

FIG. 3 is a rear elevational view thereof;

FIG. 4 is a right side elevational view thereof;

FIG. 5 is a left side elevational view thereof;

FIG. 6 is a top plan view thereof;

FIG. 7 is a bottom plan view thereof;

FIG. 8 is a front and left side perspective view thereof, in an extended position;

FIG. 9 is a front elevational view thereof, in an extended position;

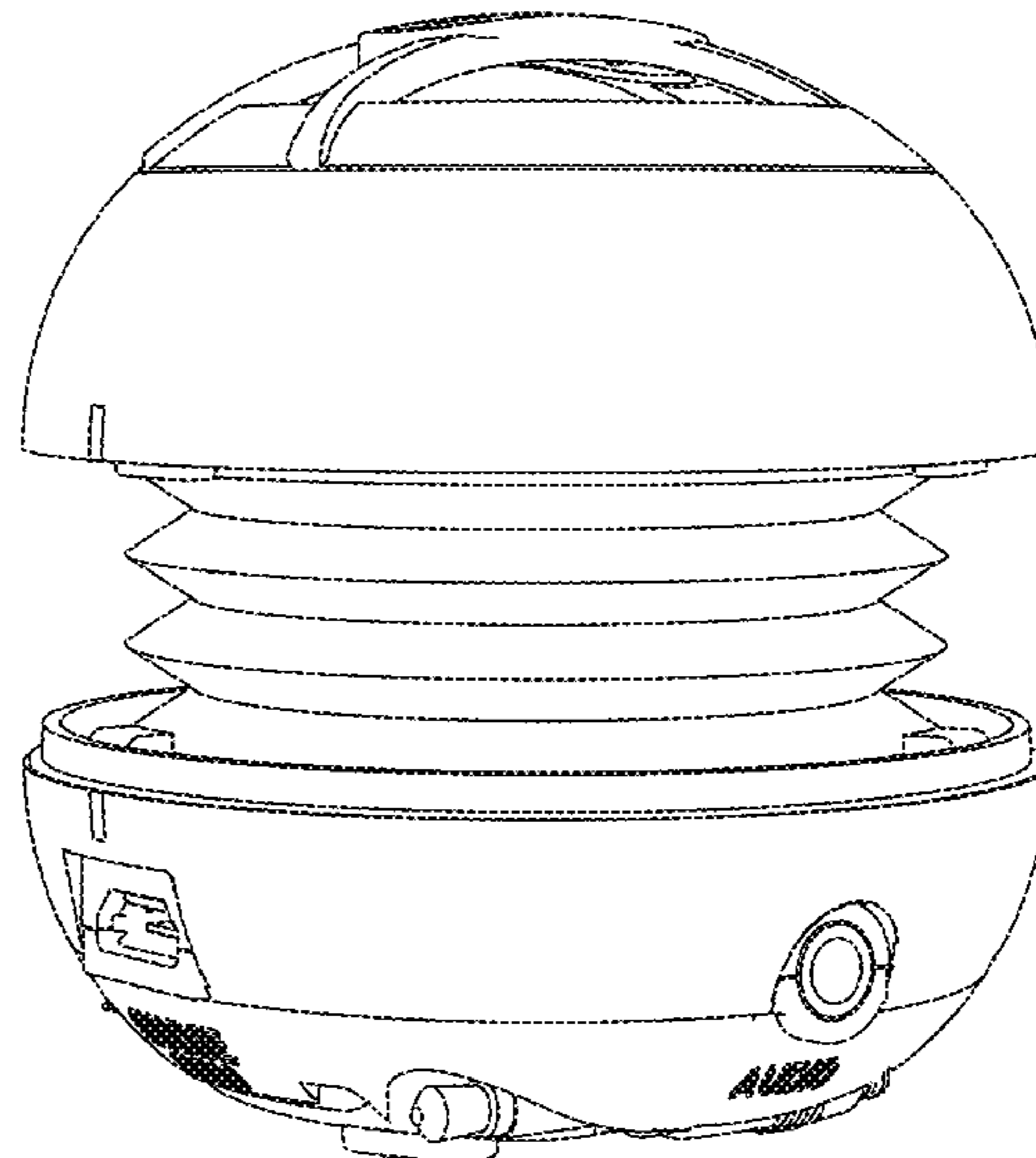
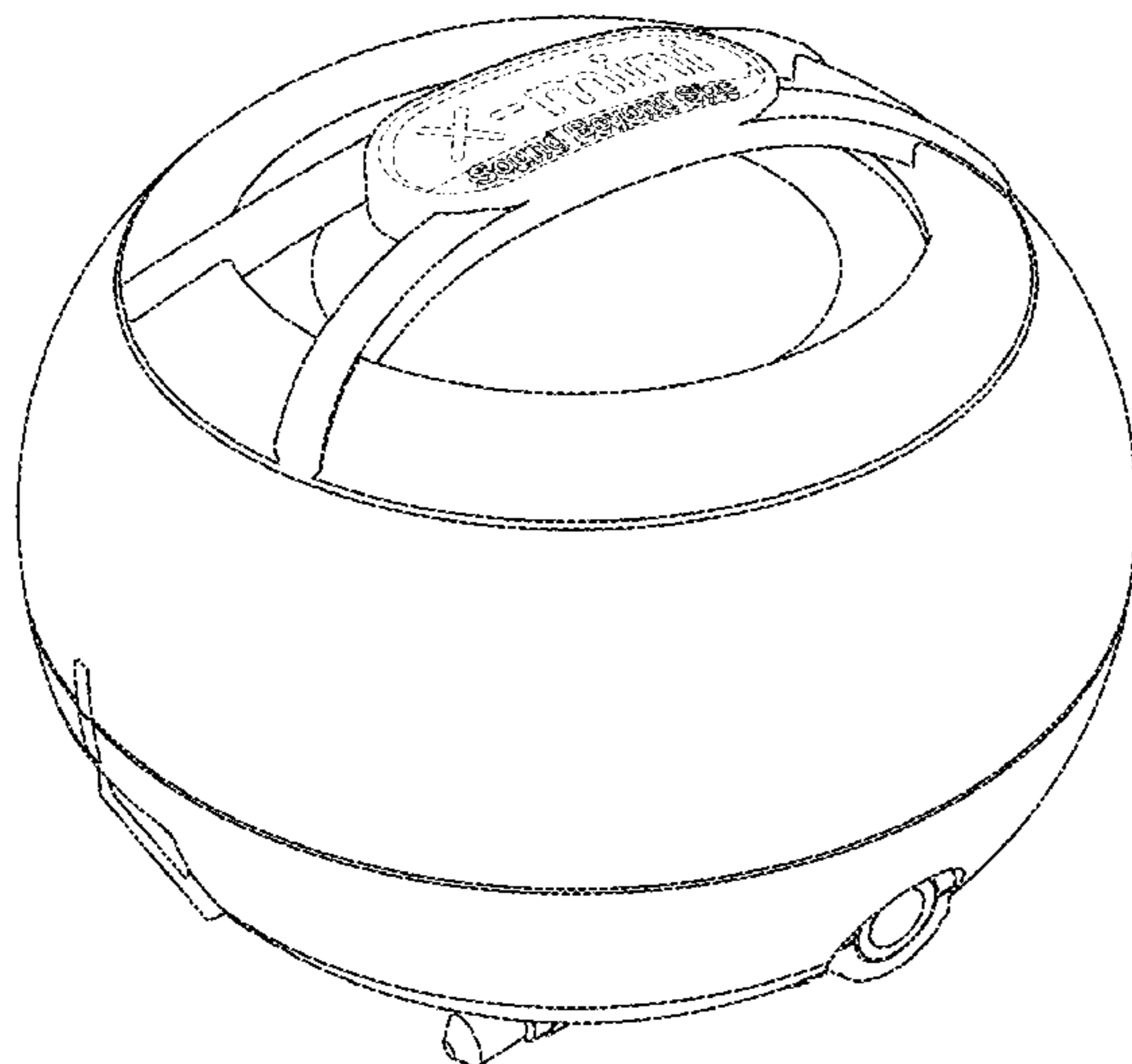
FIG. 10 is a rear elevational view thereof, in an extended position;

FIG. 11 is a right side elevational view thereof, in an extended position; and,

FIG. 12 is a left side elevational view thereof, in an extended position.

The broken lines in the drawings show environmental features only and form no part of the claimed design.

1 Claim, 12 Drawing Sheets



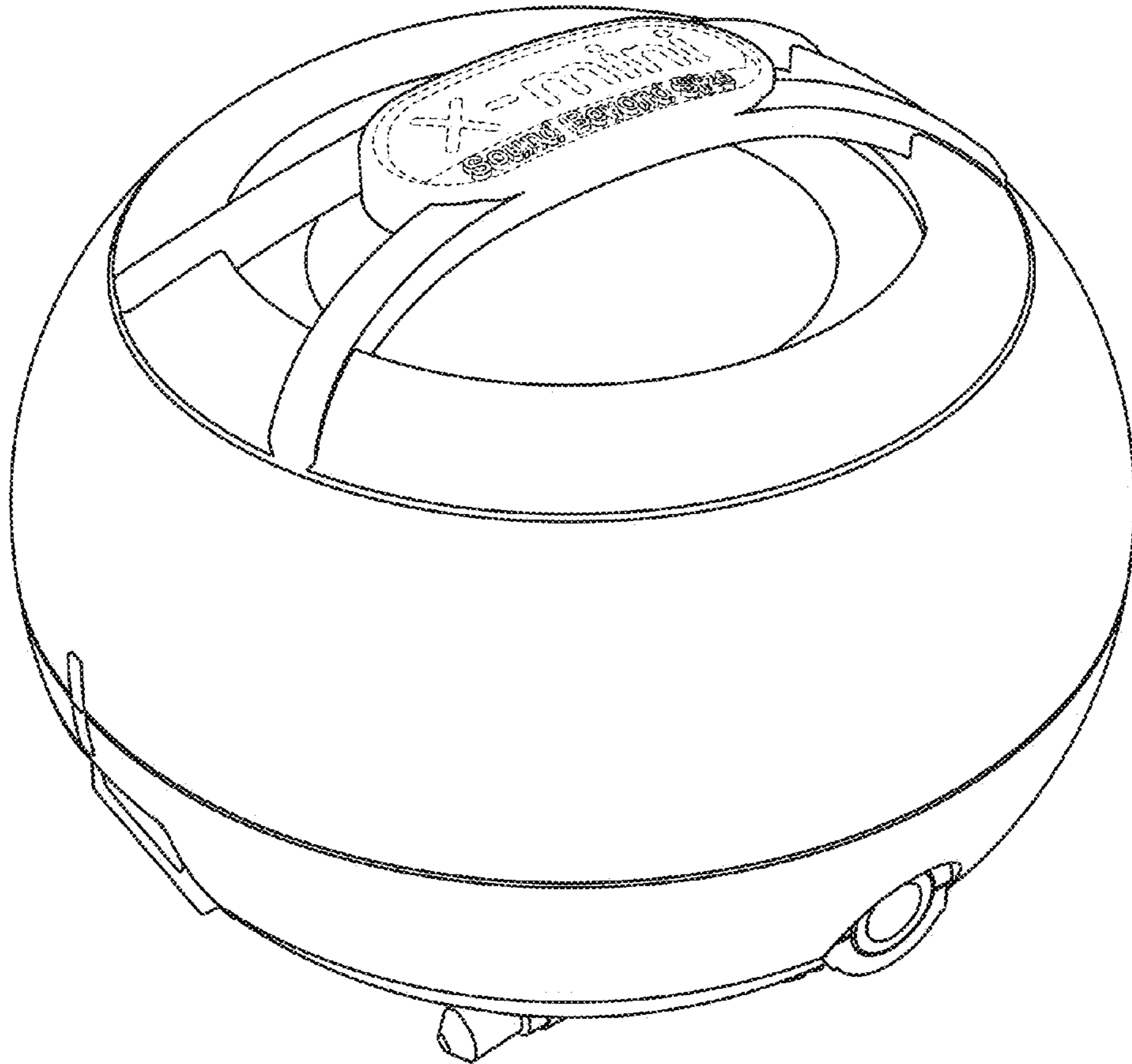


Fig. 1

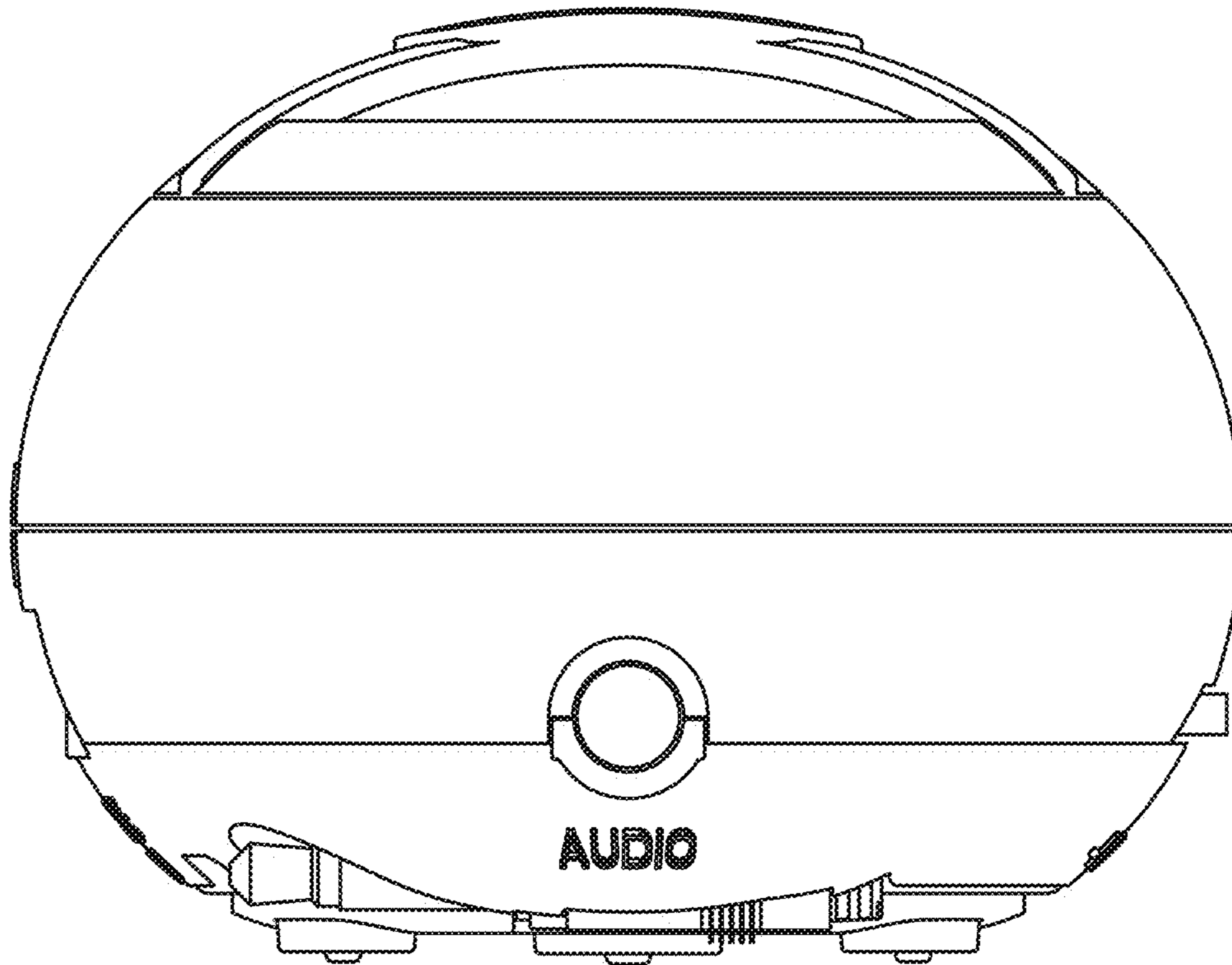


Fig. 2

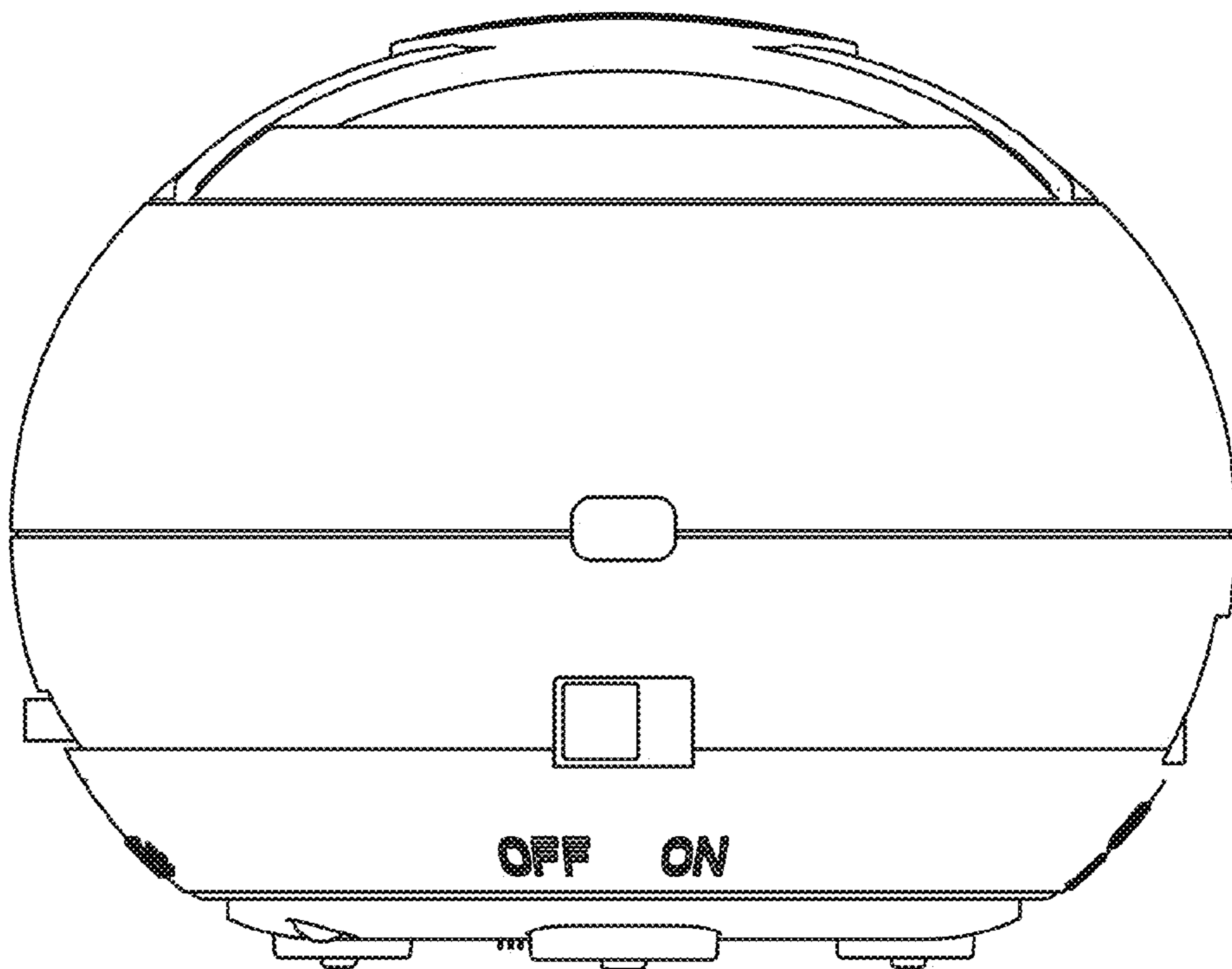


Fig. 3

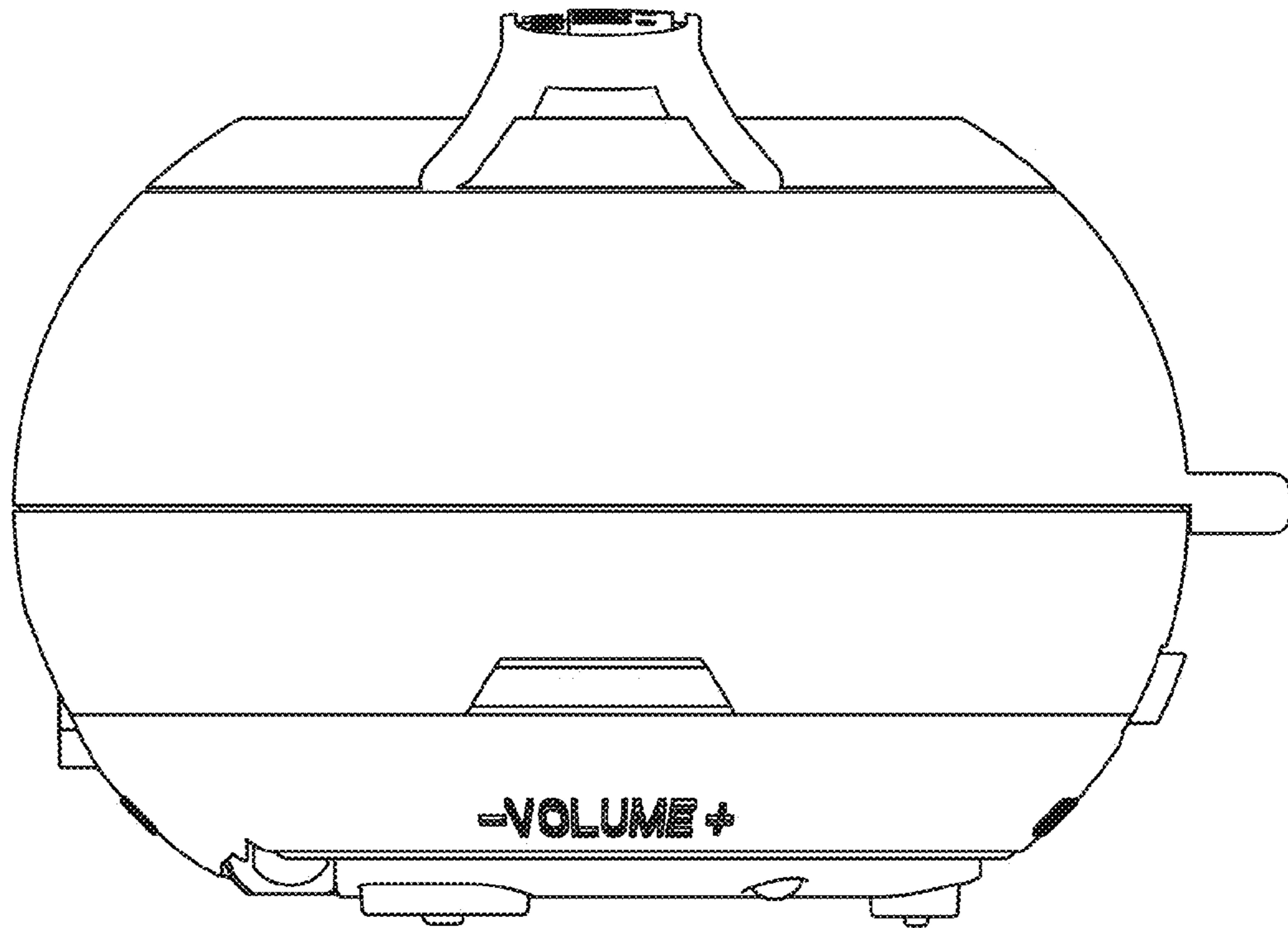


Fig. 4

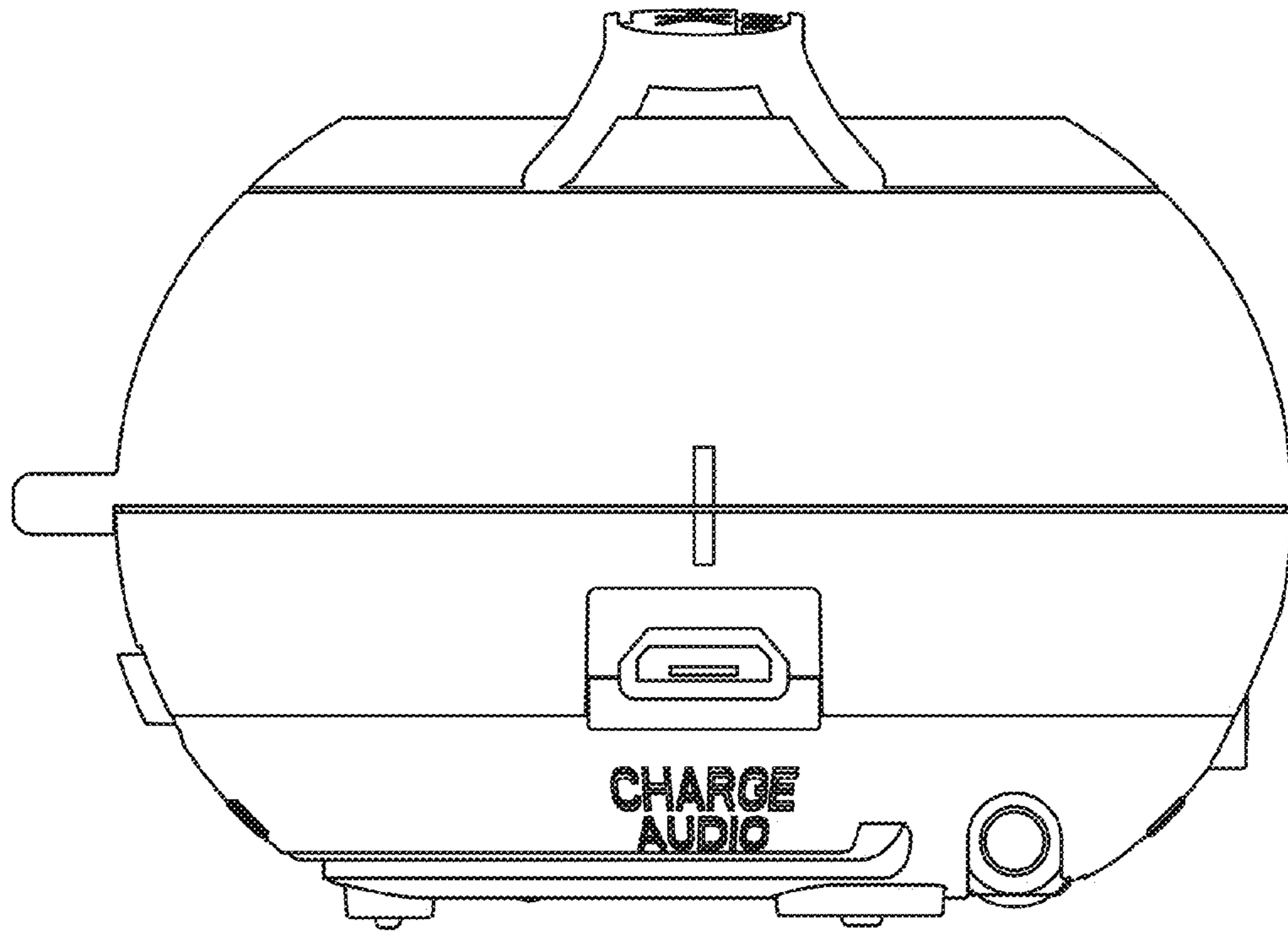


Fig. 5

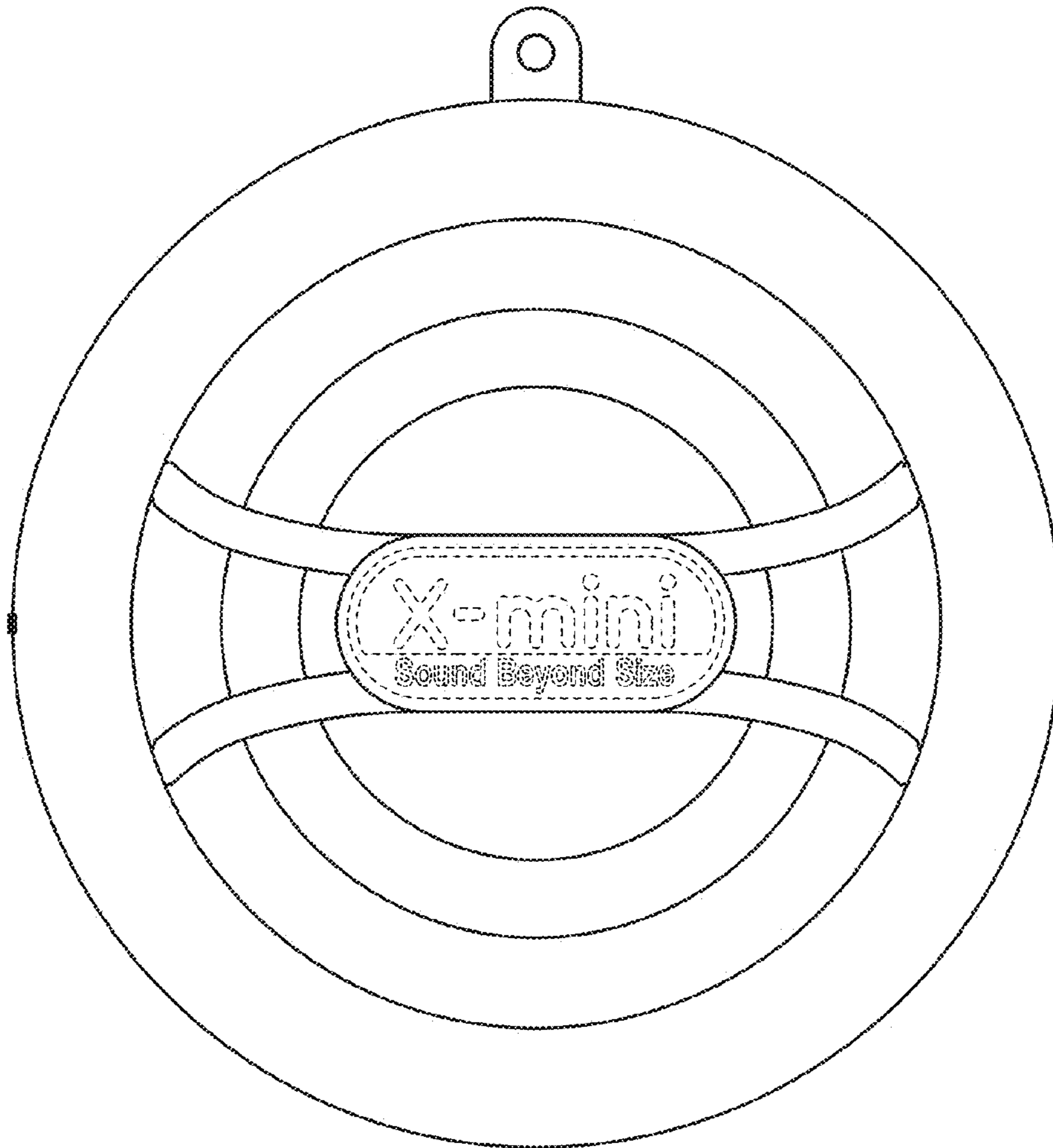


Fig. 6

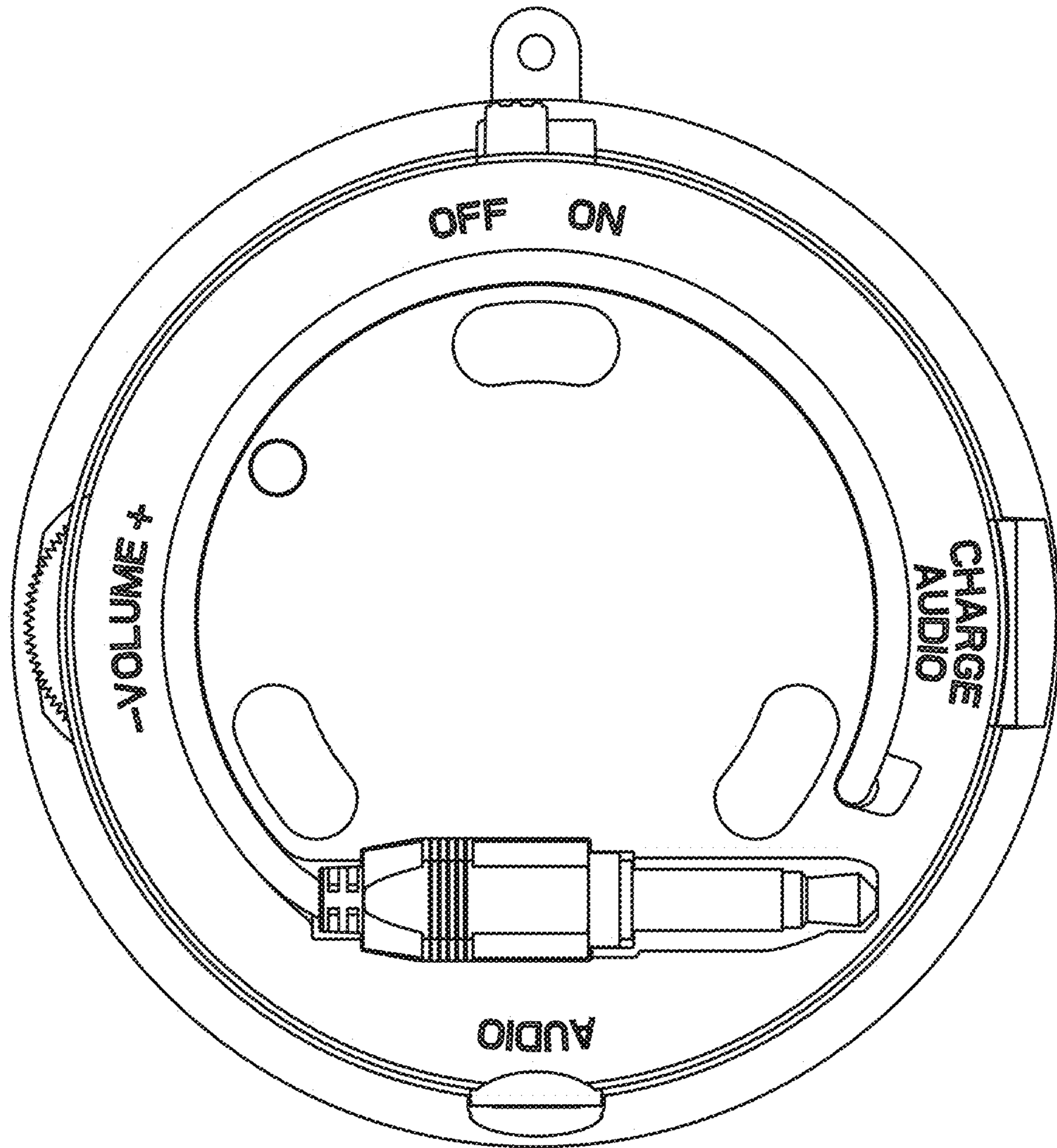


Fig. 7

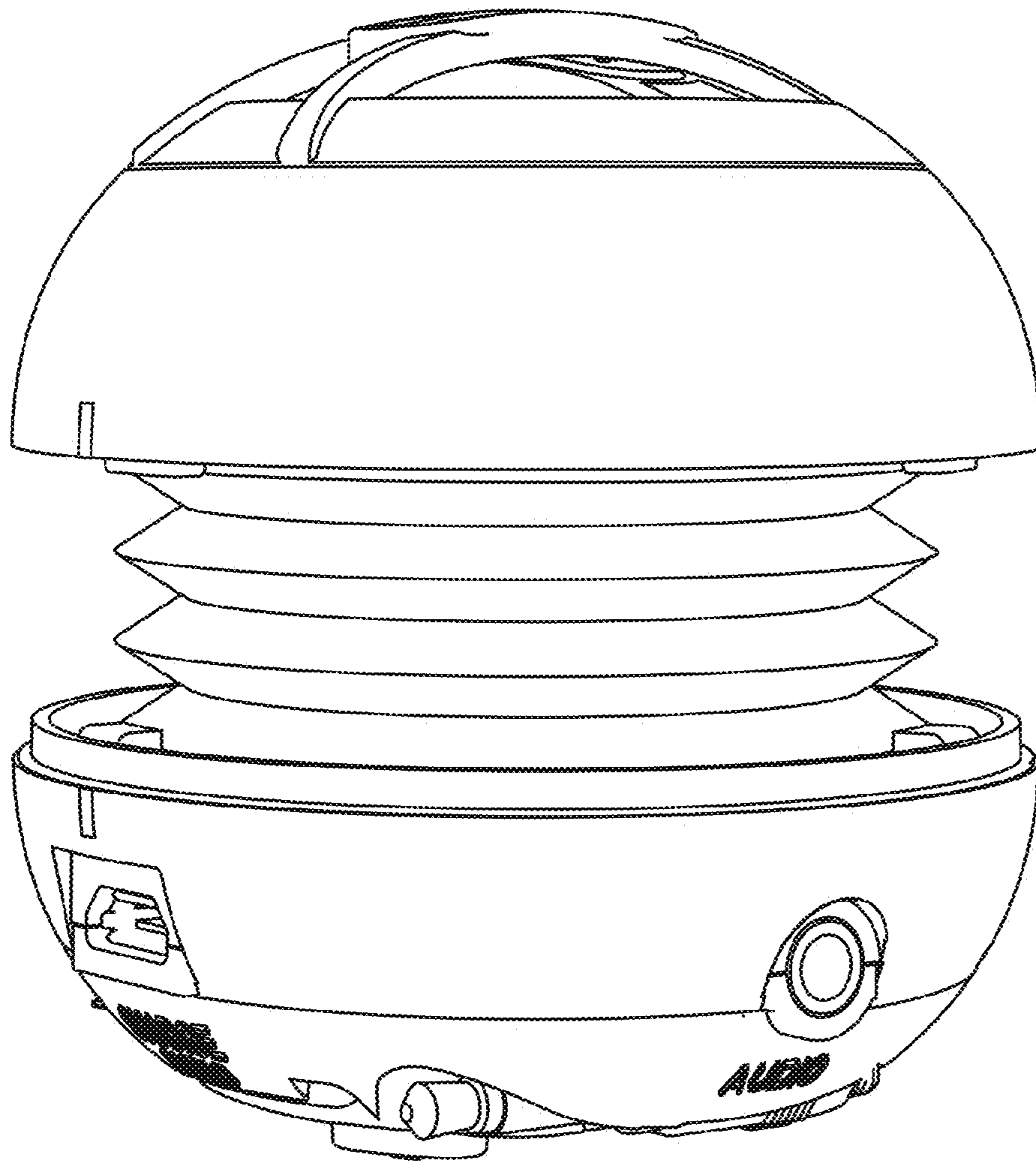


Fig. 8

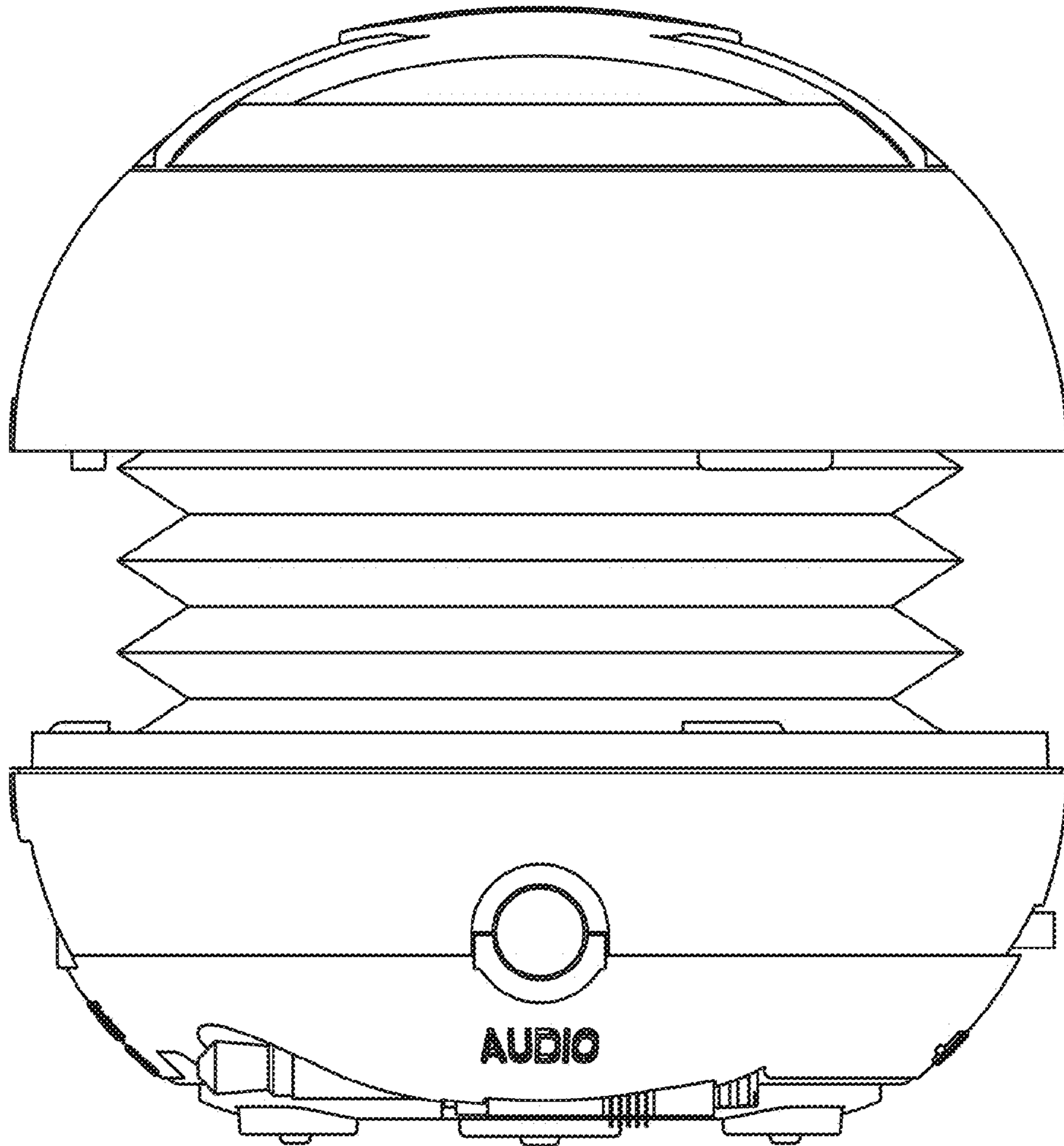


Fig. 9

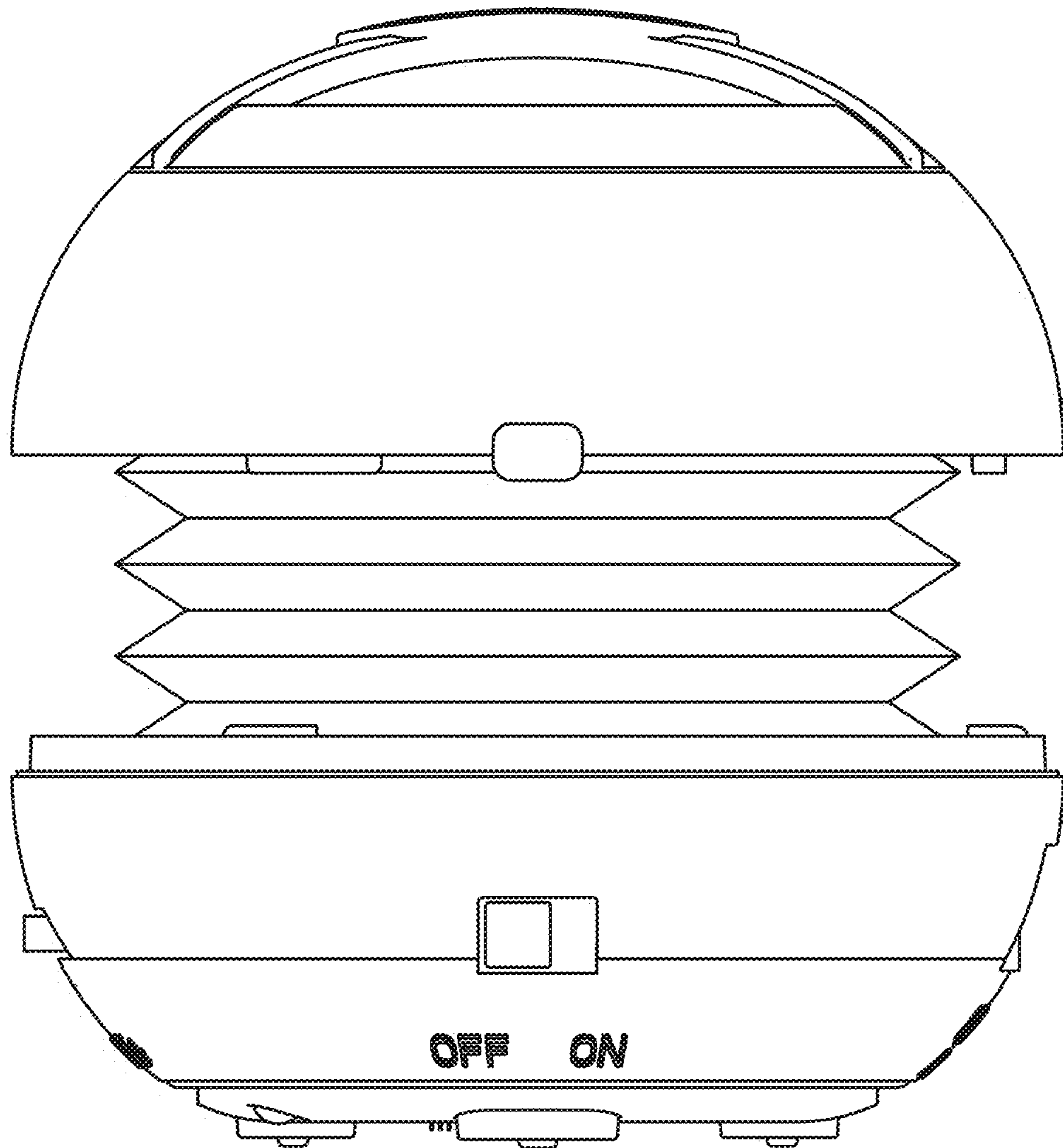


Fig. 10

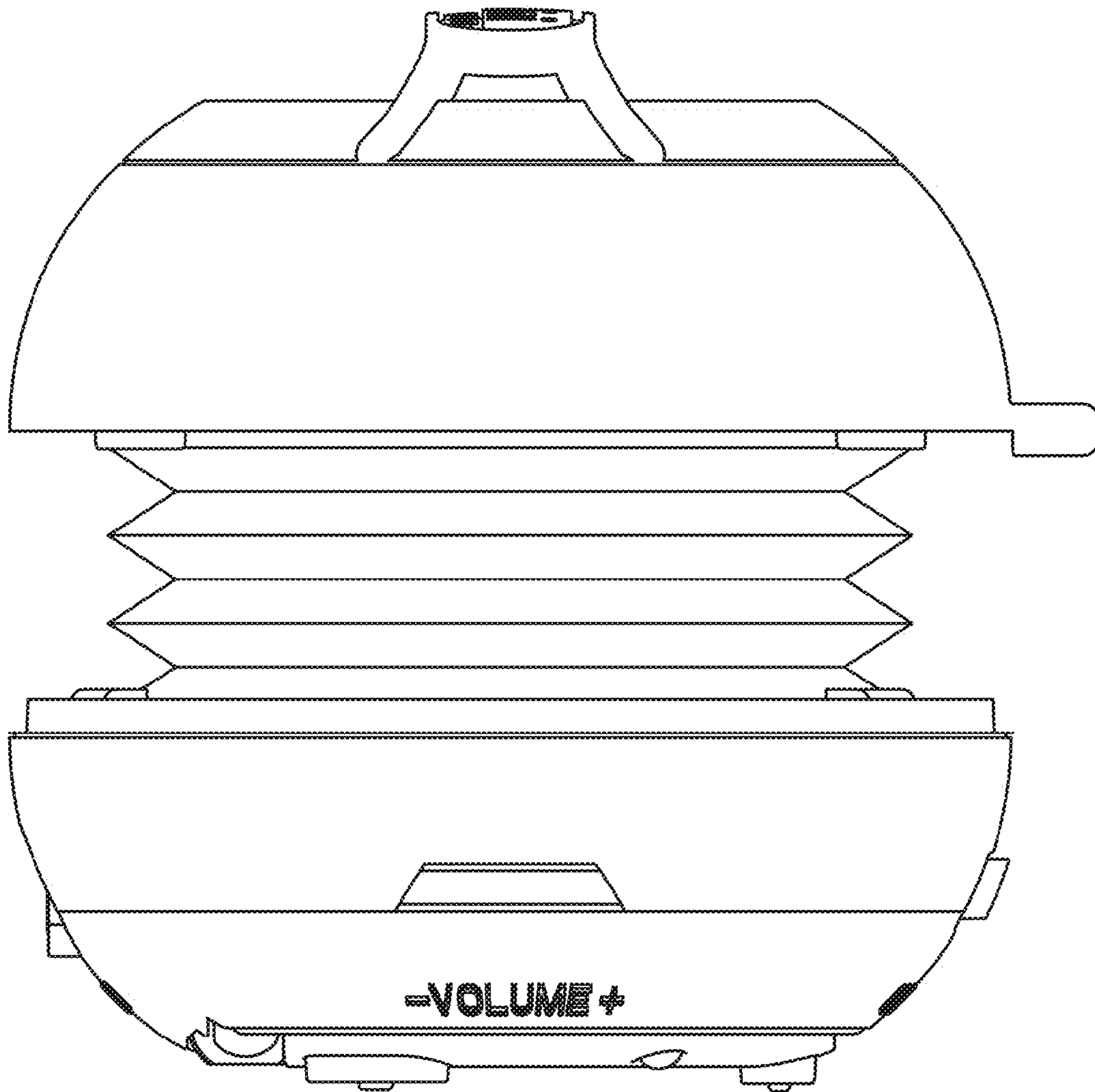


Fig. 11

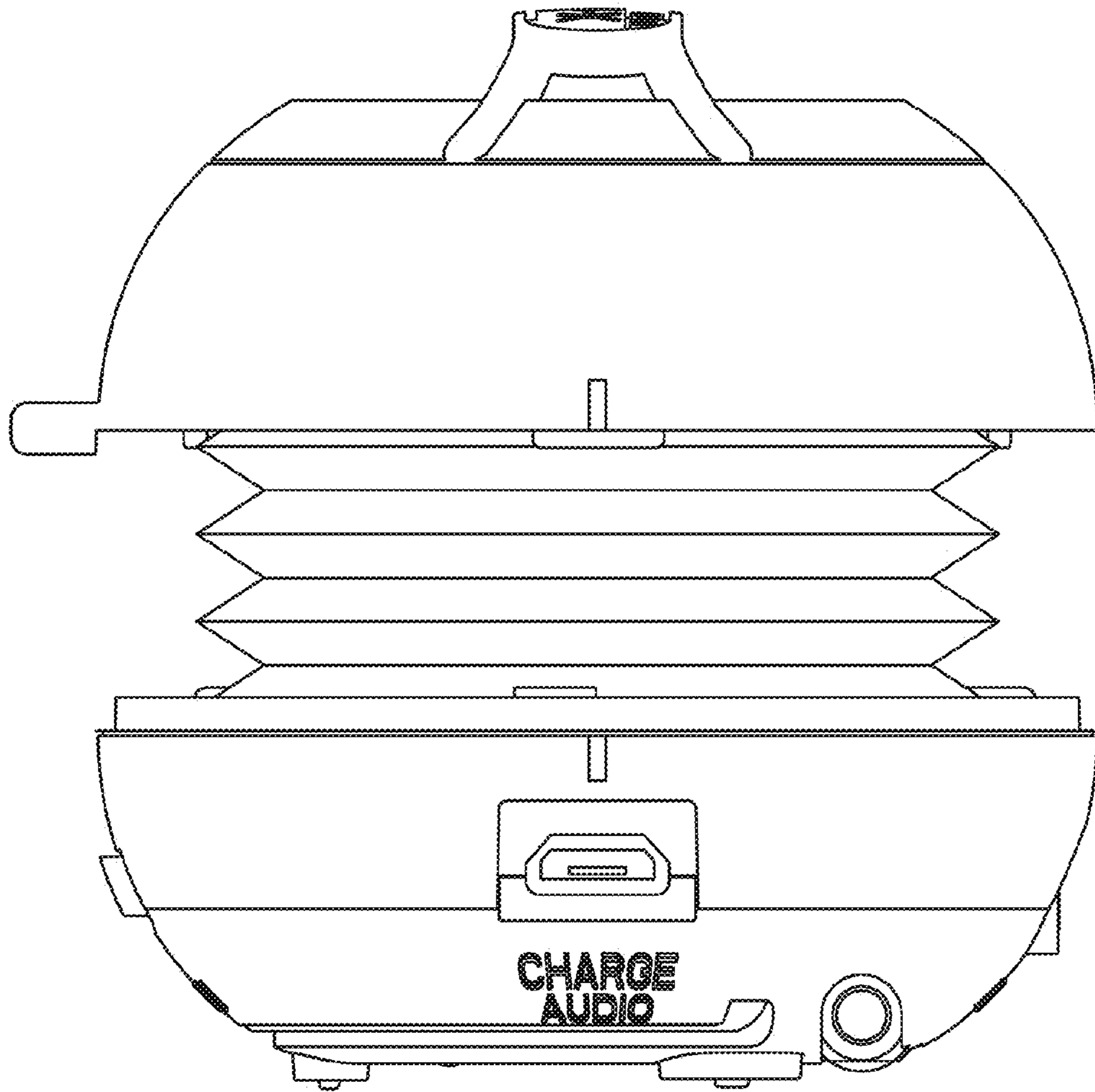


Fig. 12