



US00D729203S

(12) **United States Design Patent**  
**Bongkun et al.**

(10) **Patent No.:** **US D729,203 S**  
(45) **Date of Patent:** **\*\* May 12, 2015**

(54) **SPEAKER**

(71) Applicant: **Samsung Electronics Co., Ltd.**,  
Suwon-si (KR)  
(72) Inventors: **Shin Bongkun**, Seoul (KR); **Ann**  
**Sungjin**, Seoul (KR)  
(73) Assignee: **Samsung Electronics Co., Ltd.**,  
Swon-Si (KR)

(\*\*) Term: **14 Years**  
(21) Appl. No.: **29/460,489**  
(22) Filed: **Jul. 11, 2013**

(30) **Foreign Application Priority Data**  
Jan. 14, 2013 (KR) ..... 30-2013-0002274  
(51) **LOC (10) Cl.** ..... **14-03**  
(52) **U.S. Cl.**  
USPC ..... **D14/215; D14/221**  
(58) **Field of Classification Search**  
USPC ..... D14/167, 168, 170-172, 188, 194-196,  
D14/204, 207, 209.1, 210-216, 219, 221,  
D14/222, 224, 496; 181/143, 144, 147, 148,  
181/150, 153, 157, 198, 199; 381/300-303,  
381/306, 332, 333, 336, 345, 361-364,  
381/386-388; 369/6-12  
See application file for complete search history.

(56) **References Cited**

U.S. PATENT DOCUMENTS

|              |         |                   |           |
|--------------|---------|-------------------|-----------|
| D502,460 S * | 3/2005  | Ueda et al. ....  | D14/168   |
| D518,813 S * | 4/2006  | Hirano .....      | D14/168   |
| D542,263 S * | 5/2007  | Caspi et al. .... | D14/168   |
| D568,287 S * | 5/2008  | Wada .....        | D14/168   |
| D702,211 S * | 4/2014  | Kim .....         | D14/209.1 |
| D703,185 S * | 4/2014  | Kim .....         | D14/209.1 |
| D704,678 S * | 5/2014  | Katsumata .....   | D14/209.1 |
| D718,278 S * | 11/2014 | Son .....         | D14/215   |

\* cited by examiner

*Primary Examiner* — Keli L Hill  
(74) *Attorney, Agent, or Firm* — Ladas & Parry LLP

(57) **CLAIM**  
The ornamental design for a speaker, as shown and described.

**DESCRIPTION**

FIG. 1 is the perspective view of a speaker showing my new design;  
FIG. 2 is the front view thereof;  
FIG. 3 is the rear view thereof;  
FIG. 4 is the left-side view thereof;  
FIG. 5 is the right-side view thereof;  
FIG. 6 is the top plan view thereof; and,  
FIG. 7 is the bottom plan view thereof.  
The broken lines shown are included for the purpose of illustrating portions of the speaker that form no part of the claim. The shade lines in the figures show contour and not surface ornamentation.

**1 Claim, 7 Drawing Sheets**

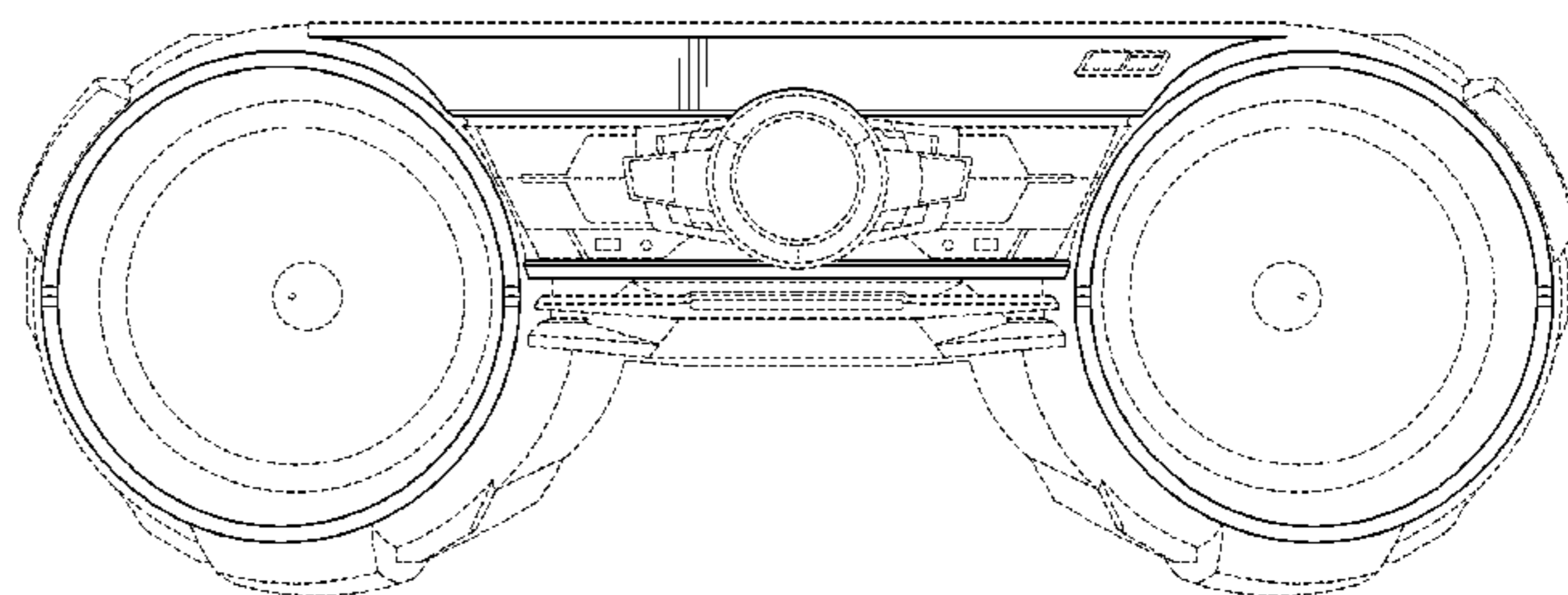
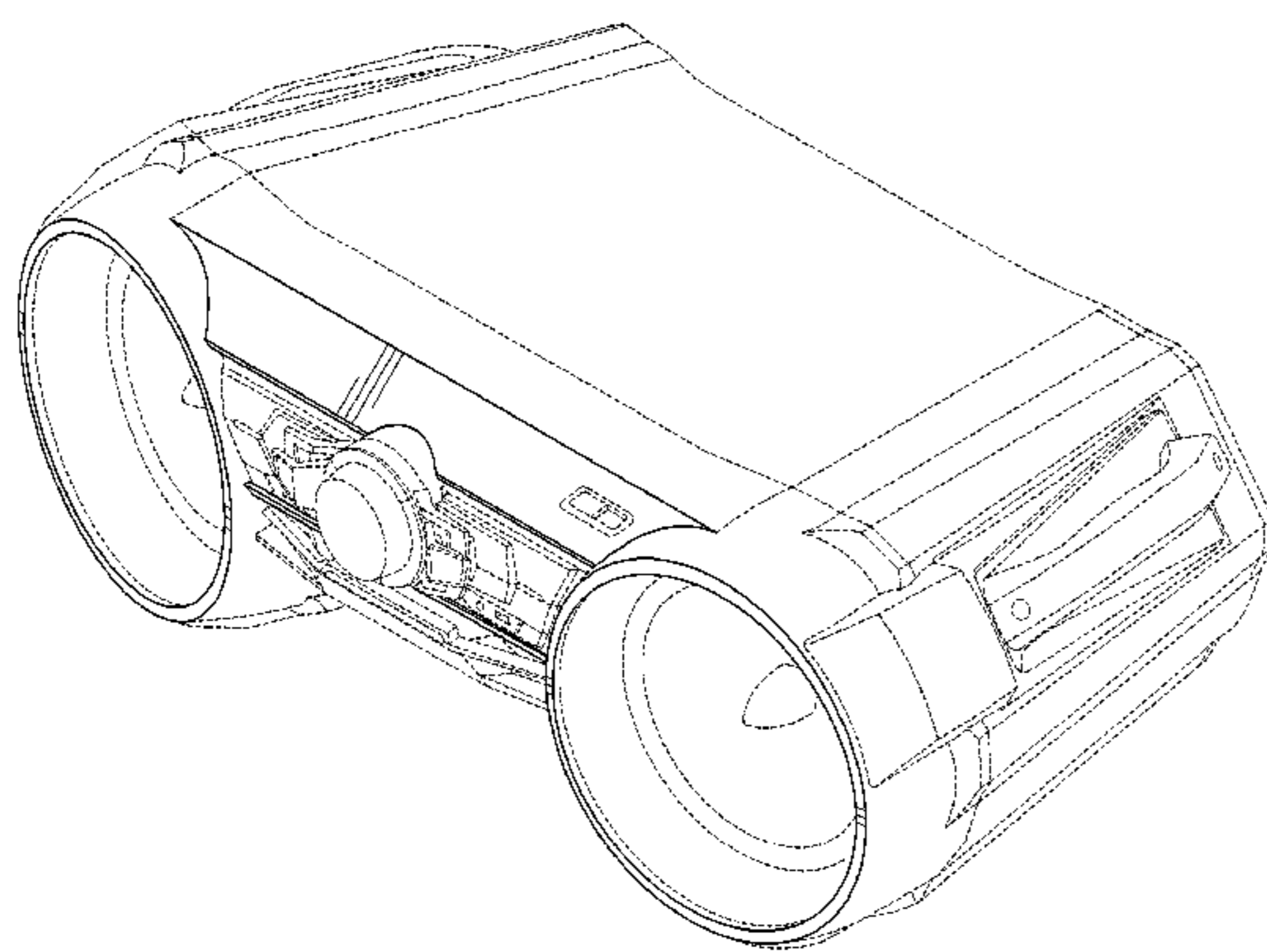


FIG. 1

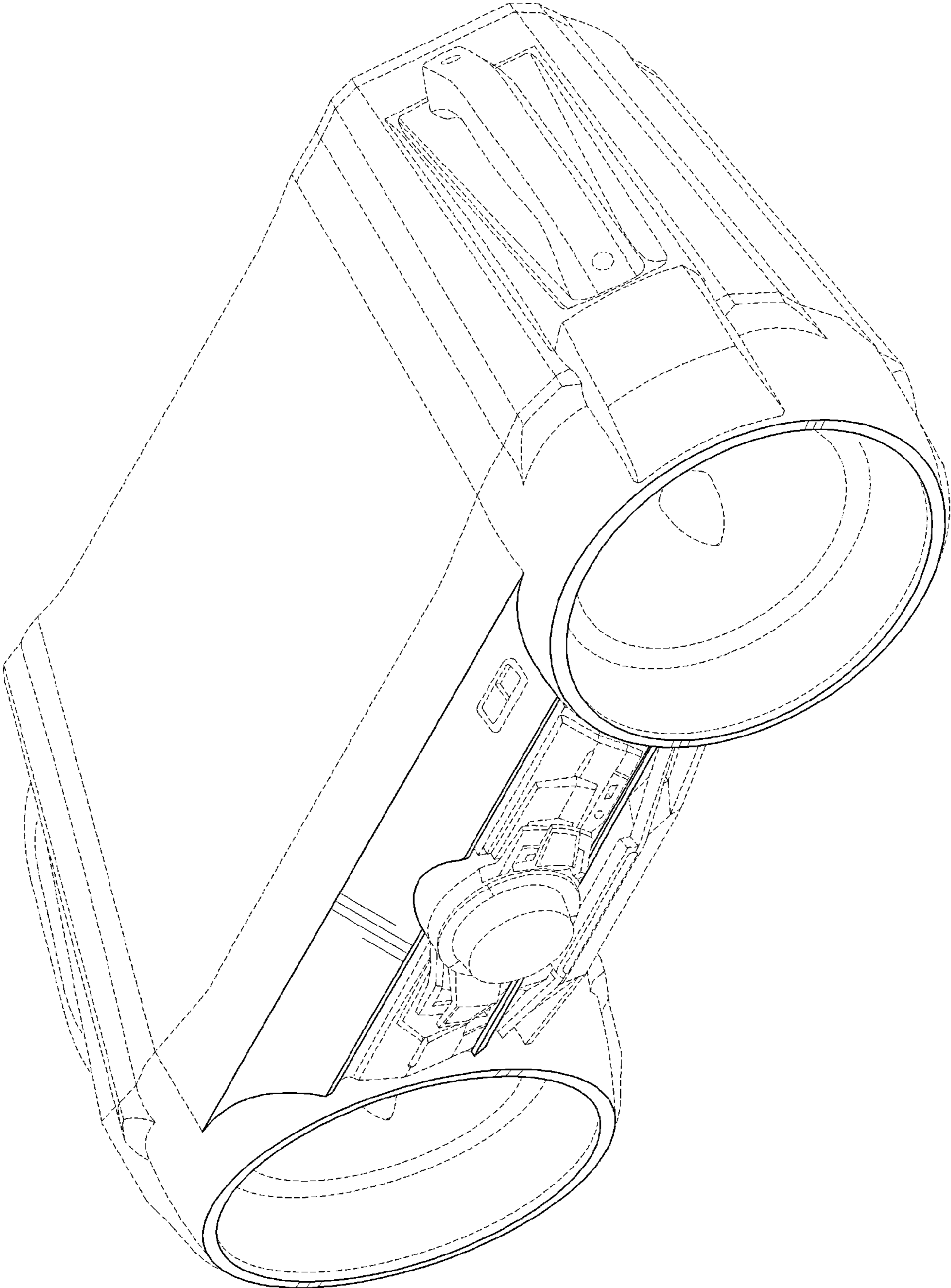


FIG. 2

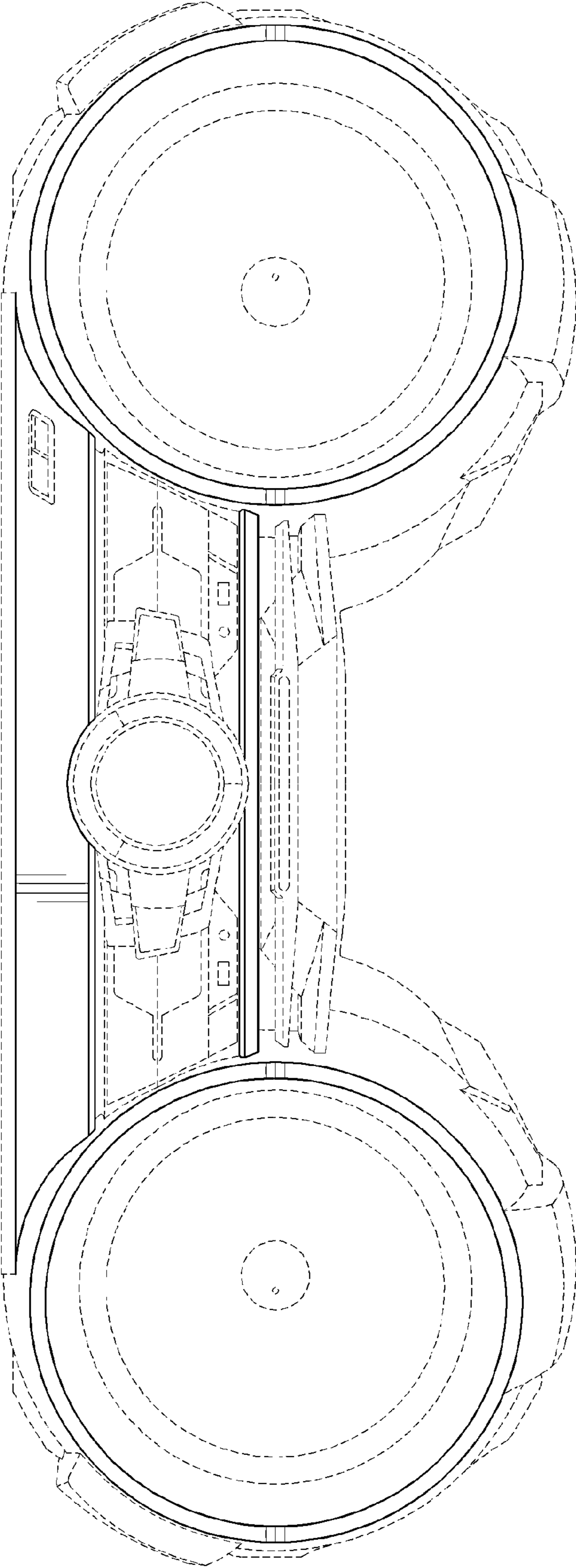


FIG. 3

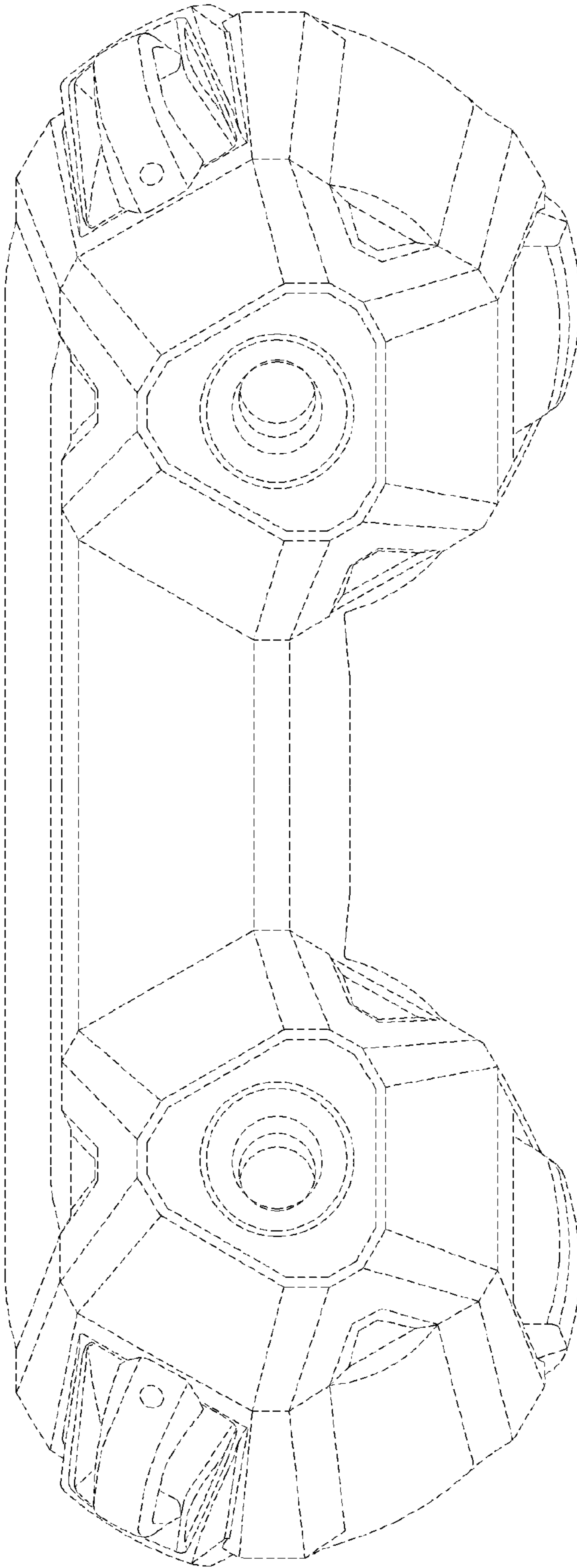


FIG. 4

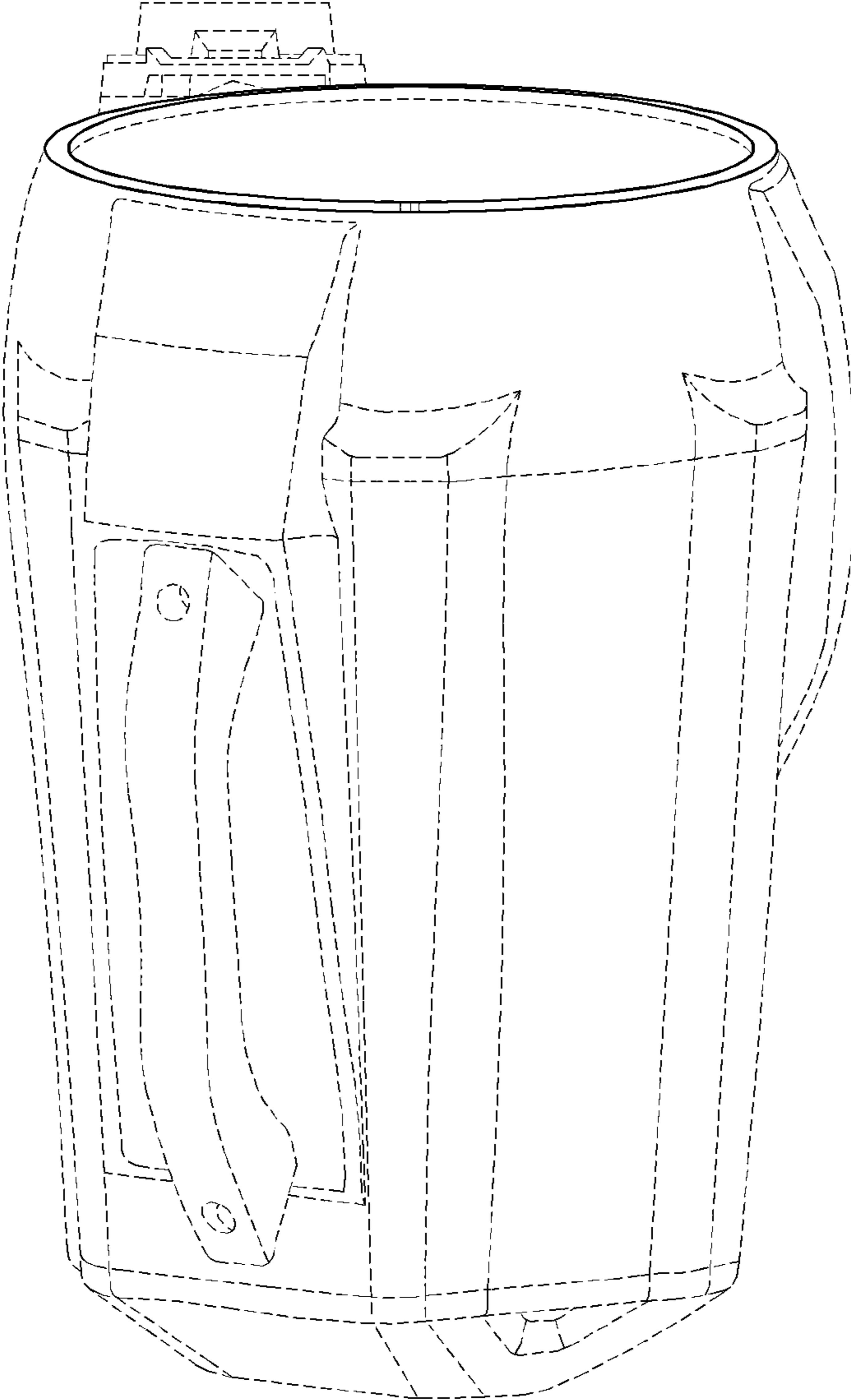


FIG. 5

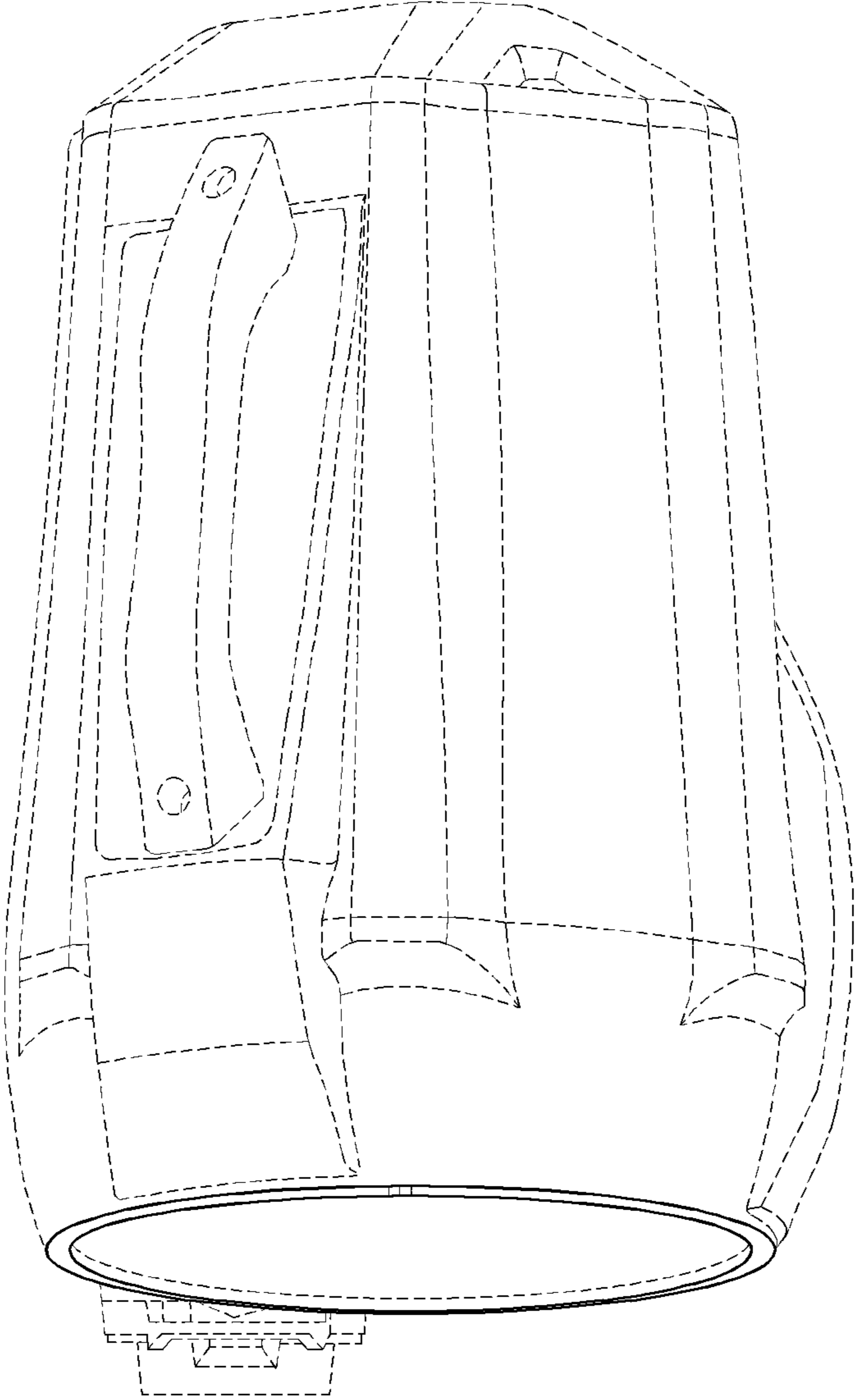


FIG. 6

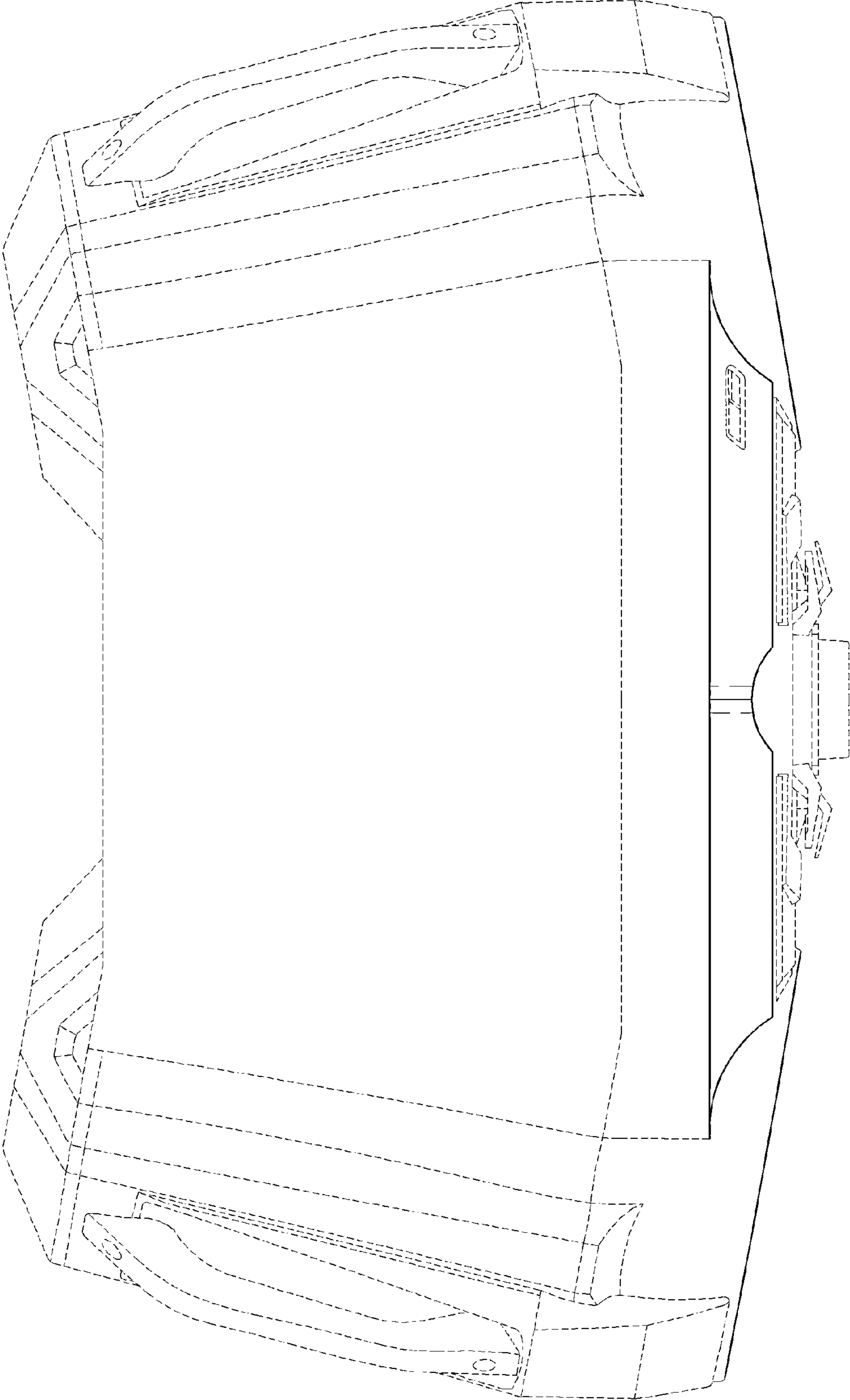


FIG. 7

