



US00D729202S

(12) **United States Design Patent**
Shin et al.

(10) **Patent No.:** **US D729,202 S**

(45) **Date of Patent:** **** May 12, 2015**

(54) **SPEAKER**

(71) Applicant: **Samsung Electronics Co., Ltd.**,
Suwon-Si, Gyeonggi-Do (KR)

(72) Inventors: **Bongkun Shin**, Seoul (KR); **Sungjin Ann**, Seoul (KR)

(73) Assignee: **Samsung Electronics Co., Ltd.**,
Gyeonggi-do (KR)

(**) Term: **14 Years**

(21) Appl. No.: **29/457,795**

(22) Filed: **Jun. 13, 2013**

(30) **Foreign Application Priority Data**

Dec. 13, 2012 (KR) 30-2012-0060270

(51) **LOC (10) Cl.** **14-03**

(52) **U.S. Cl.**
USPC **D14/215**

(58) **Field of Classification Search**
USPC D14/167, 168, 170-172, 188, 194-196,
D14/204, 207, 209.1, 210-216, 219, 221,
D14/222, 224, 496; 181/143, 144, 147, 148,
181/150, 153, 157, 198, 199; 381/300-303,
381/306, 332, 333, 336, 345, 361-364,
381/386-388; 369/6-12

See application file for complete search history.

(56) **References Cited**

U.S. PATENT DOCUMENTS

D505,942 S * 6/2005 Meyer et al. D14/215
D702,211 S * 4/2014 Kim D14/209.1
D703,185 S * 4/2014 Kim D14/209.1
D711,855 S * 8/2014 Shin et al. D14/221

* cited by examiner

Primary Examiner — Keli L Hill

(74) *Attorney, Agent, or Firm* — Harness, Dickey & Pierce,
P.L.C.

(57) **CLAIM**

The ornamental design for a speaker, as shown and described.

DESCRIPTION

FIG. 1 is the perspective view of a speaker showing my new design;

FIG. 2 is the front view thereof;

FIG. 3 is the rear view thereof;

FIG. 4 is the left-side view thereof;

FIG. 5 is the right-side view thereof;

FIG. 6 is the top plan view thereof; and,

FIG. 7 is the bottom plan view thereof.

The broken lines shown are included for the purpose of illustrating portions of the speaker that form no part of the claim. The shade lines in the figures show contour and not surface ornamentation.

1 Claim, 5 Drawing Sheets

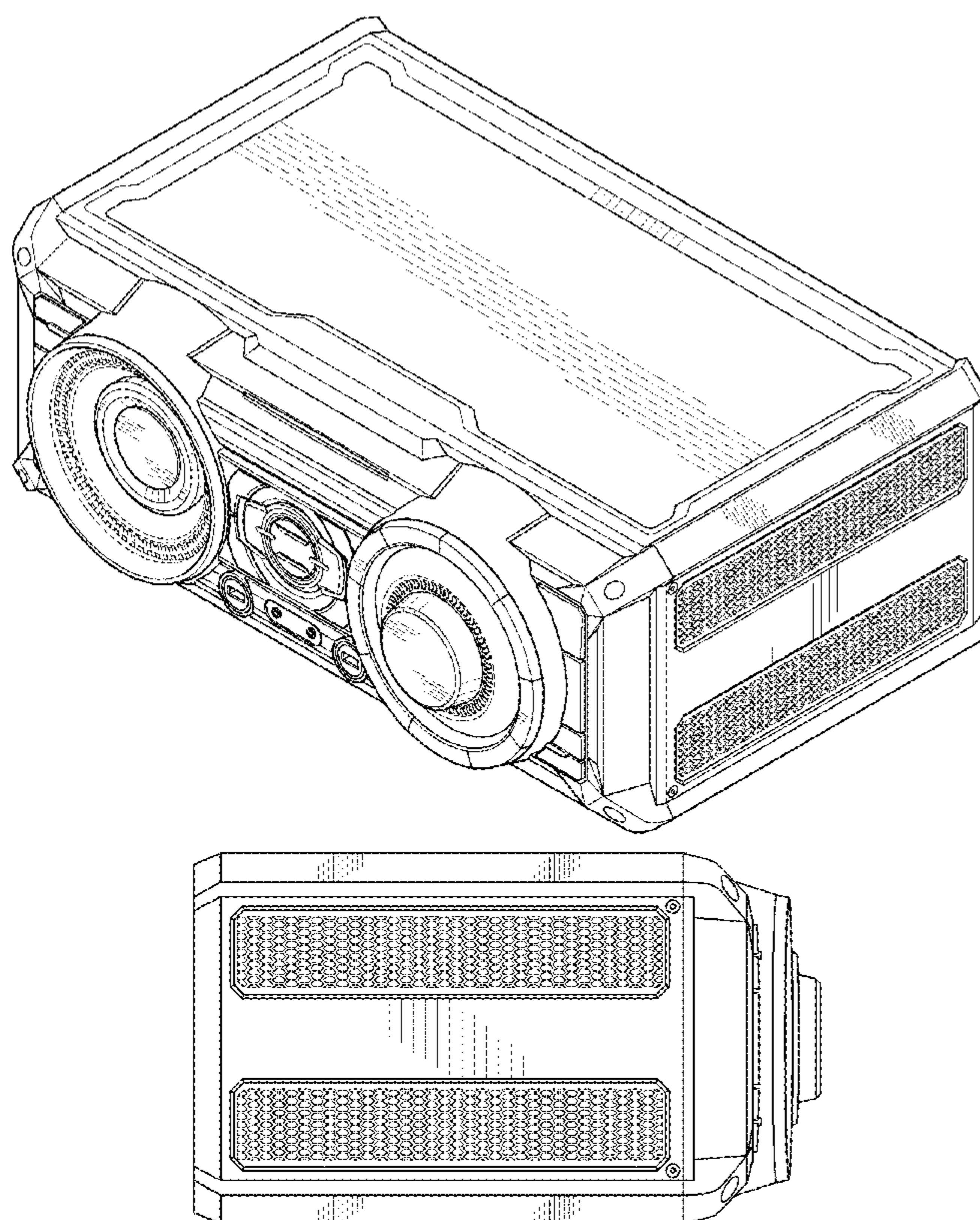


FIG. 1

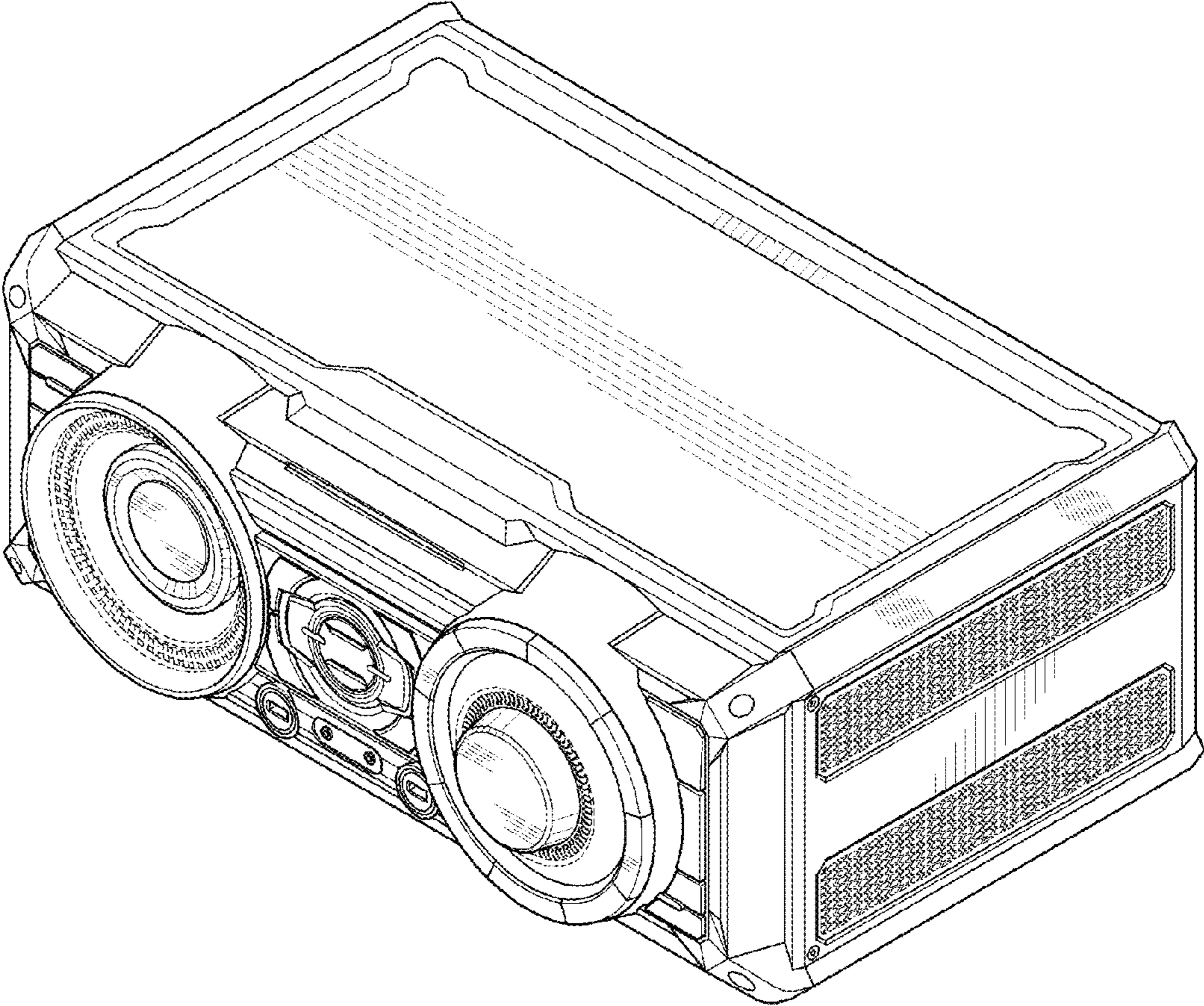


FIG. 2

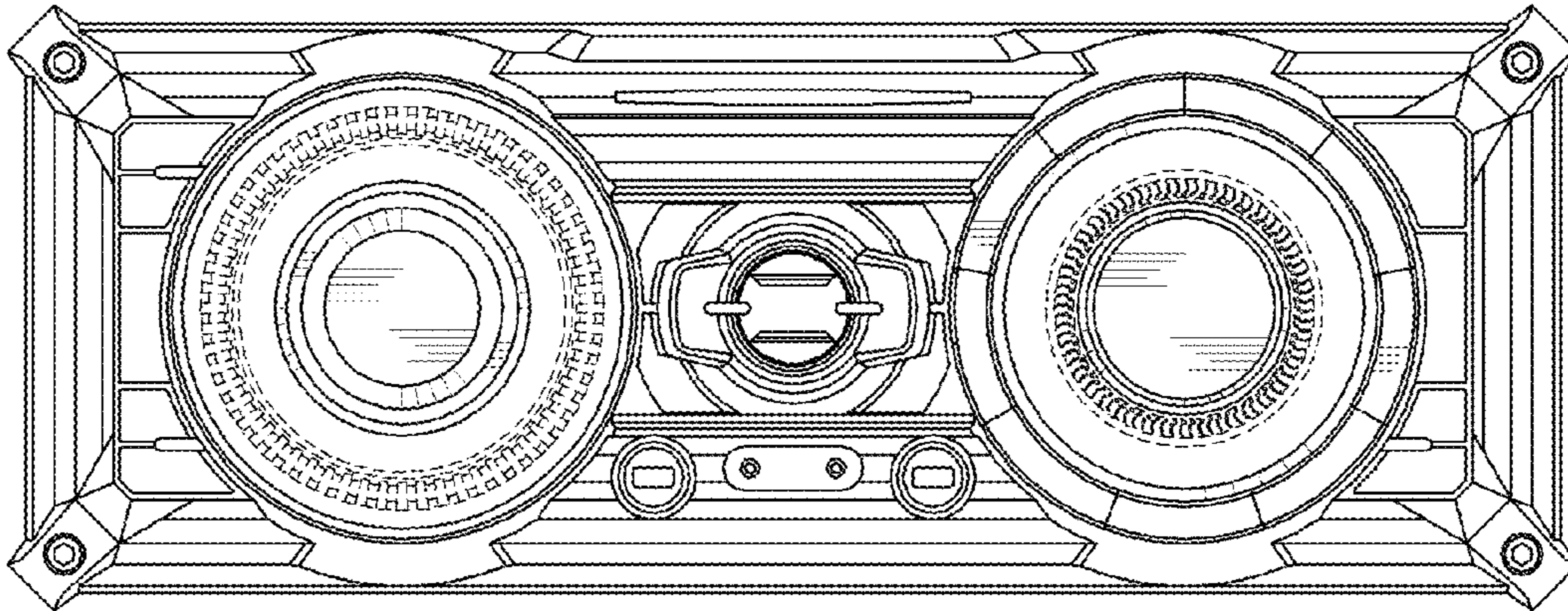


FIG. 3

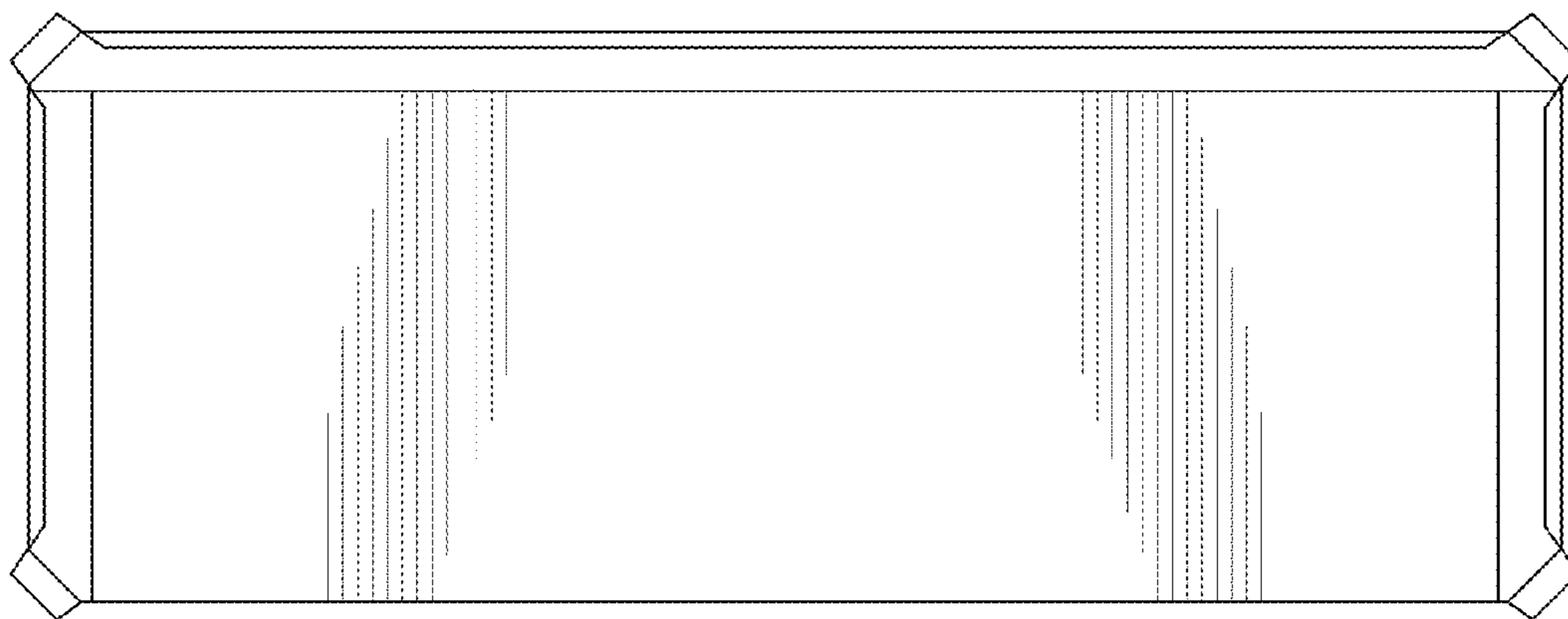


FIG. 4

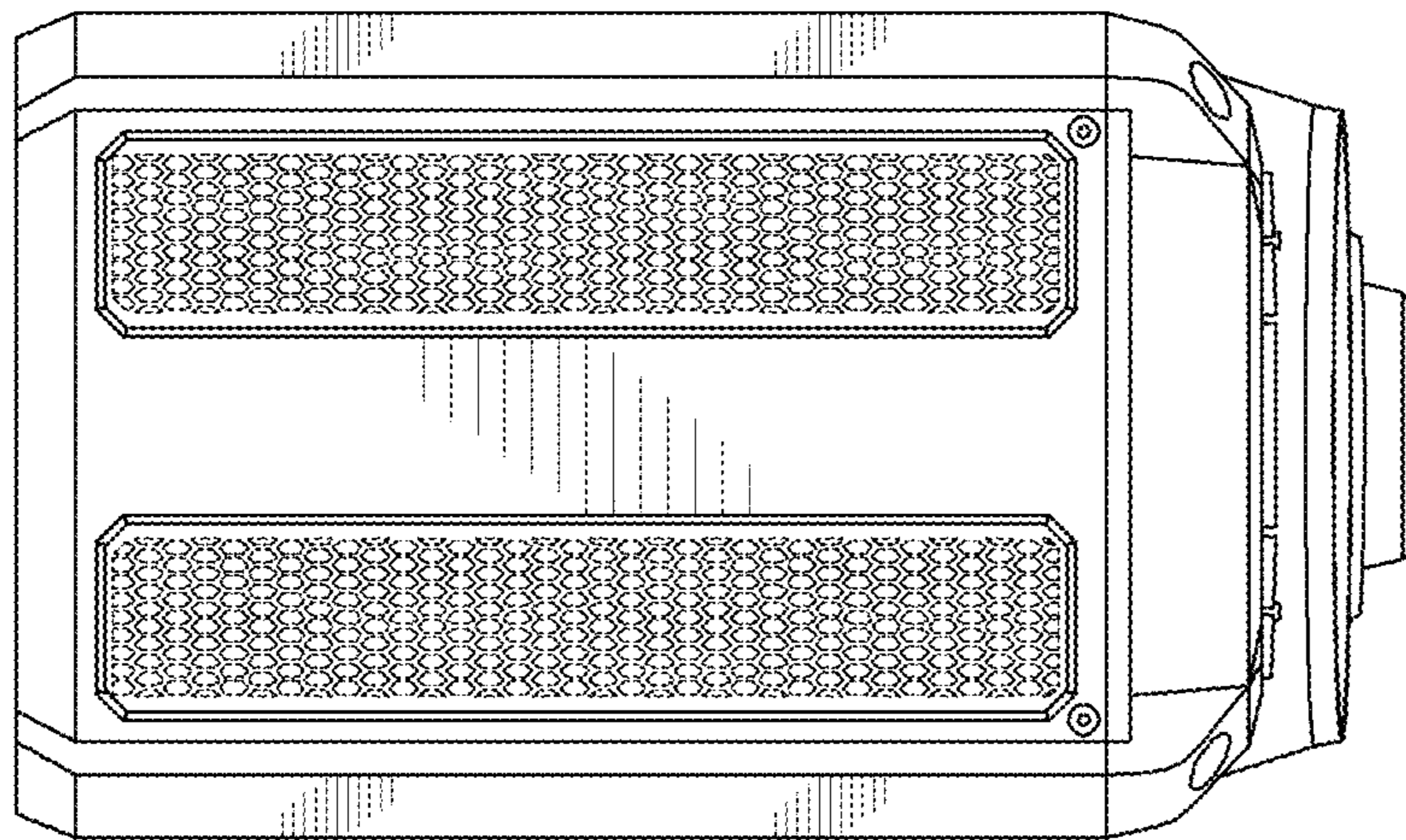


FIG. 5

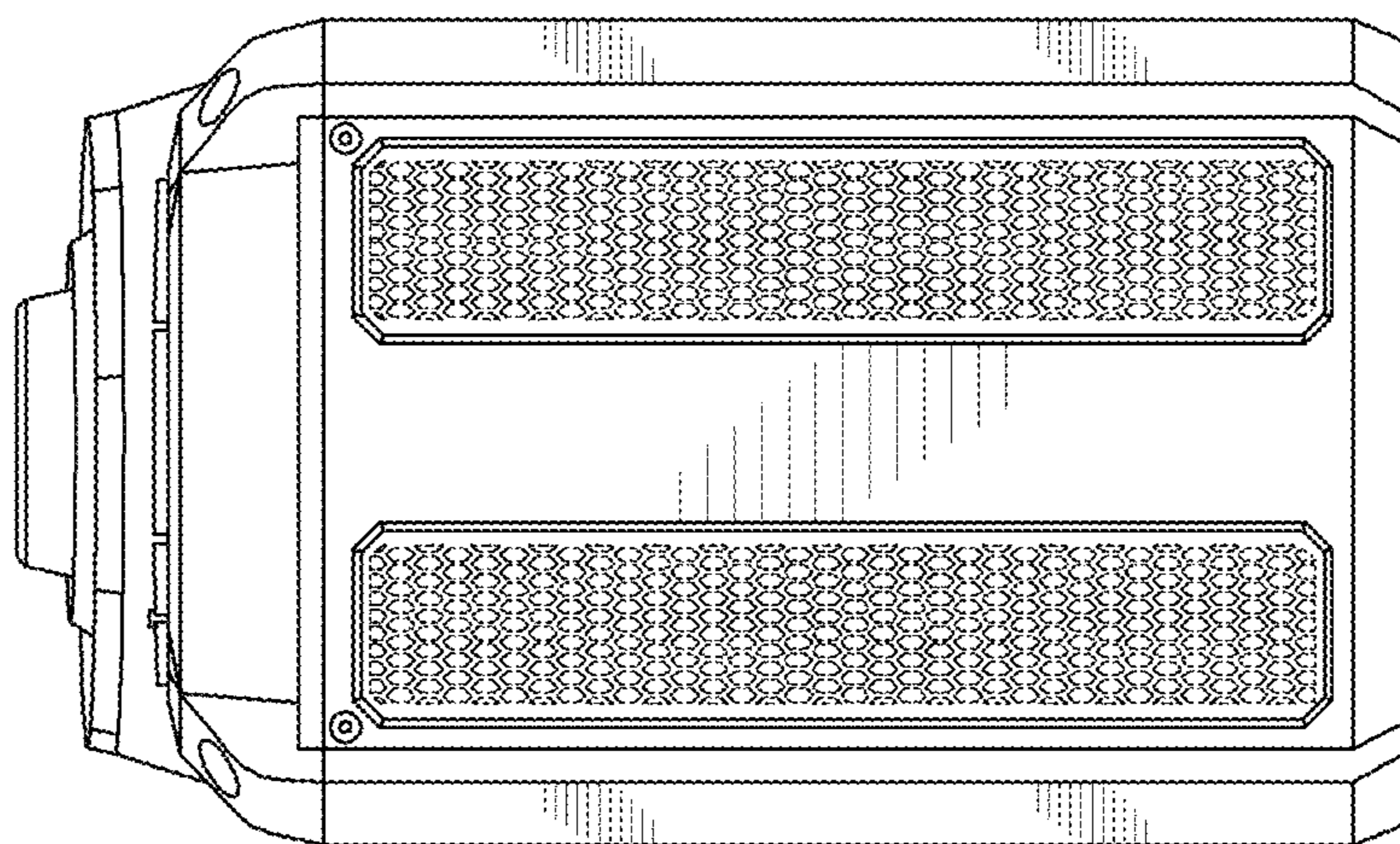


FIG. 6

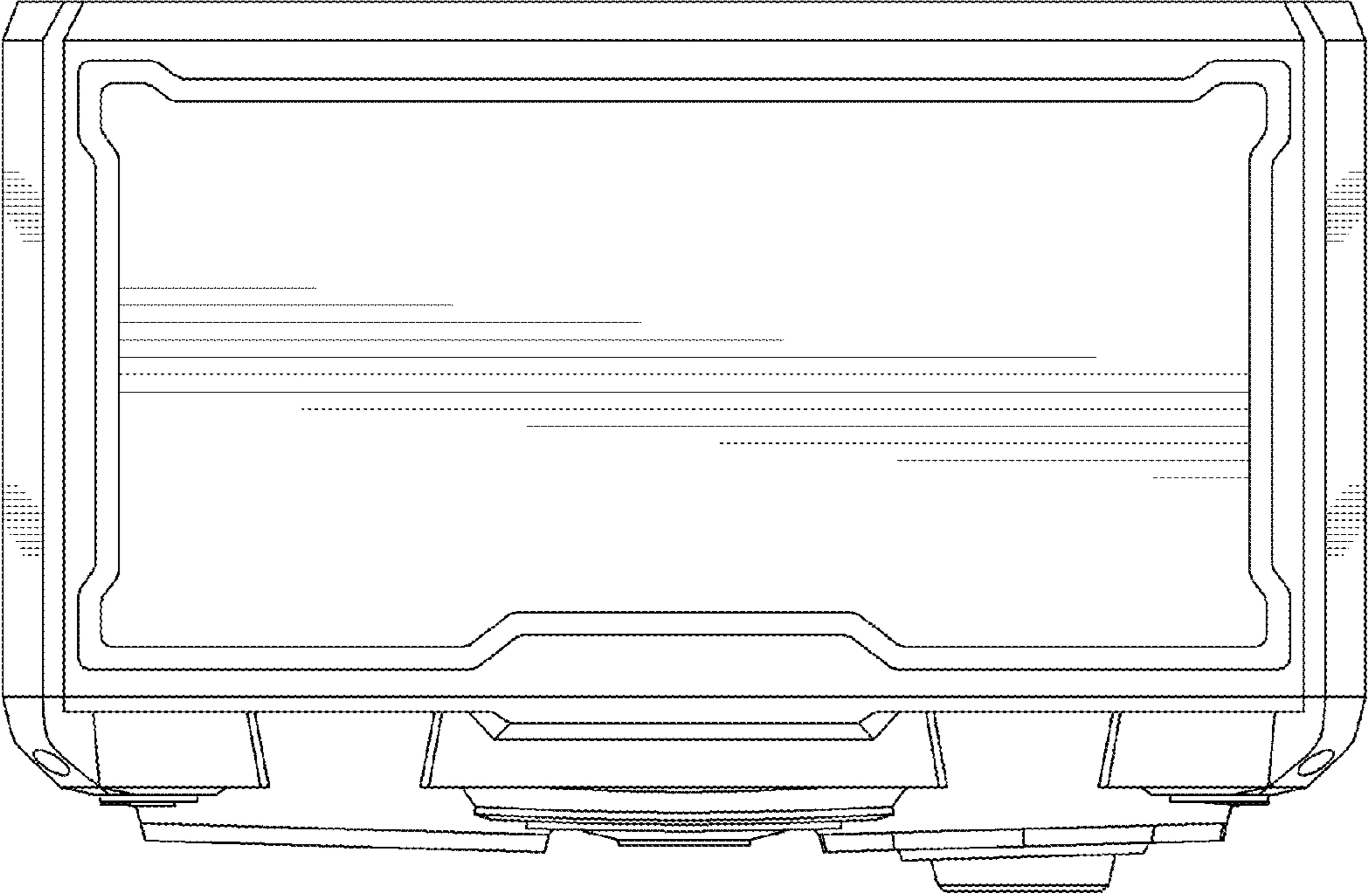


FIG. 7

