



US00D729201S

(12) **United States Design Patent**
Park et al.

(10) **Patent No.:** **US D729,201 S**

(45) **Date of Patent:** **** May 12, 2015**

(54) **SPEAKER FOR HOME THEATERS**

(71) Applicant: **LG Electronics Inc.**, Seoul (KR)

(72) Inventors: **Soo Young Park**, Seoul (KR); **Yong Soo Kim**, Seoul (KR)

(73) Assignee: **LG Electronics Inc.**, Seoul (KR)

(**) Term: **14 Years**

(21) Appl. No.: **29/459,192**

(22) Filed: **Jun. 27, 2013**

(30) **Foreign Application Priority Data**

Jan. 3, 2013 (KR) 30-2013-0000350

(51) **LOC (10) Cl.** **14-03**

(52) **U.S. Cl.**
USPC **D14/214**

(58) **Field of Classification Search**
USPC D14/167, 168, 170–172, 188, 194–196,
D14/204, 207, 209.1, 210–216, 219, 221,
D14/222, 224, 496; 181/143, 144, 147, 148,
181/150, 153, 157, 198, 199; 381/300–303,
381/306, 332, 333, 336, 345, 361–364,
381/386–388; 369/6–12

See application file for complete search history.

(56) **References Cited**

U.S. PATENT DOCUMENTS

D570,828 S *	6/2008	Cho	D14/215
D617,775 S *	6/2010	Chae et al.	D14/215
D624,048 S *	9/2010	Kim	D14/215
D664,122 S *	7/2012	Cho et al.	D14/215
D680,097 S *	4/2013	Davies et al.	D14/215

* cited by examiner

Primary Examiner — Keli L Hill

(74) *Attorney, Agent, or Firm* — Birch, Stewart, Kolasch & Birch, LLP

(57) **CLAIM**

We claim the ornamental design for a speaker for home theaters, as shown and described.

DESCRIPTION

FIG. 1 is a perspective view of a speaker for home theaters showing the new design;
FIG. 2 is a front elevation view thereof;
FIG. 3 is a rear elevation view thereof;
FIG. 4 is a left-side elevation view thereof;
FIG. 5 is a right-side elevation view thereof;
FIG. 6 is a top plan view thereof;
FIG. 7 is a bottom plan view thereof; and,
FIG. 8 is a right-side elevation view thereof, showing the speaker in an alternate in use position.
The broken lines shown are included for the purpose of illustrating the unclaimed portions of the article and form no part of the claim.

1 Claim, 5 Drawing Sheets

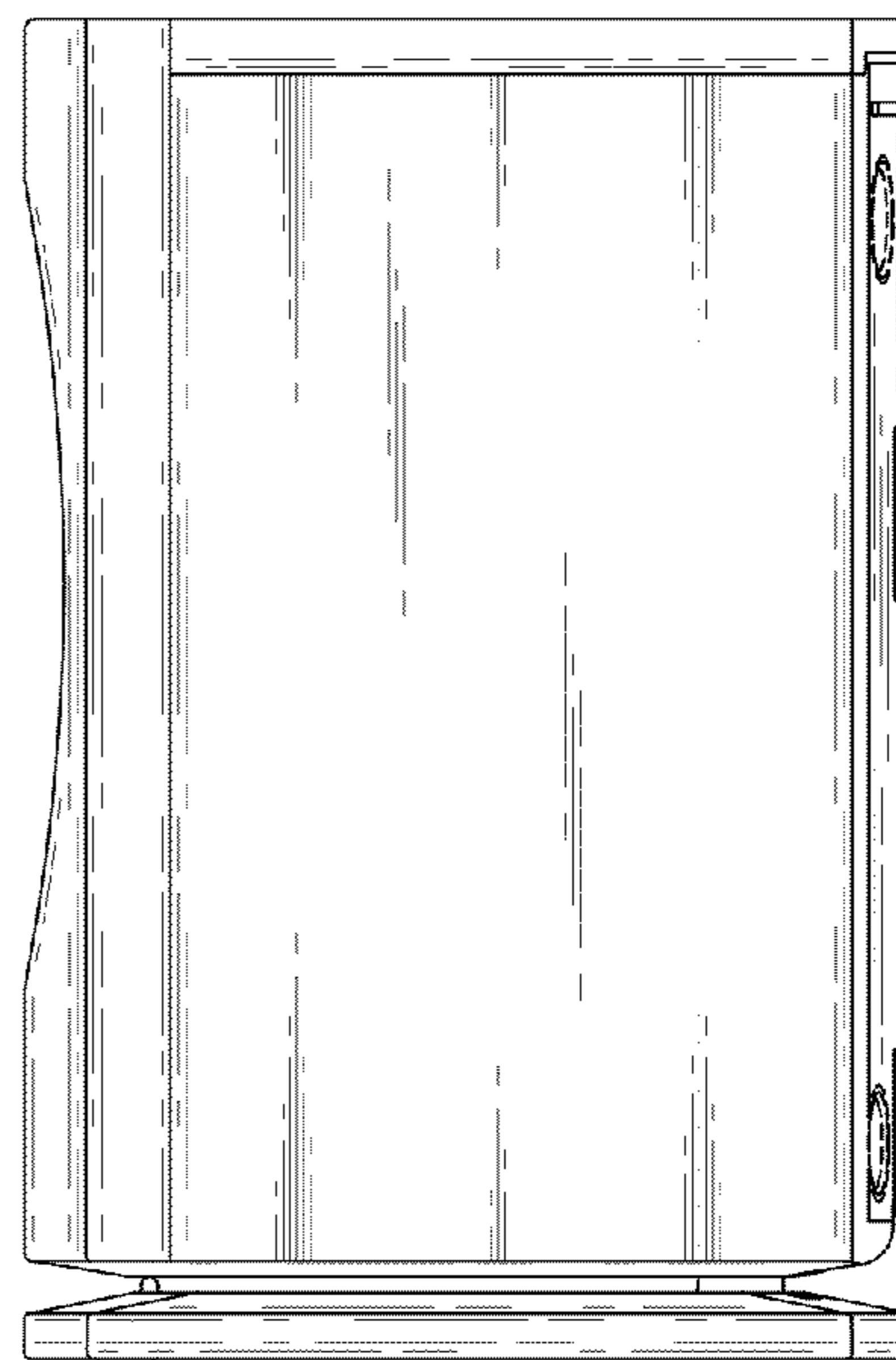
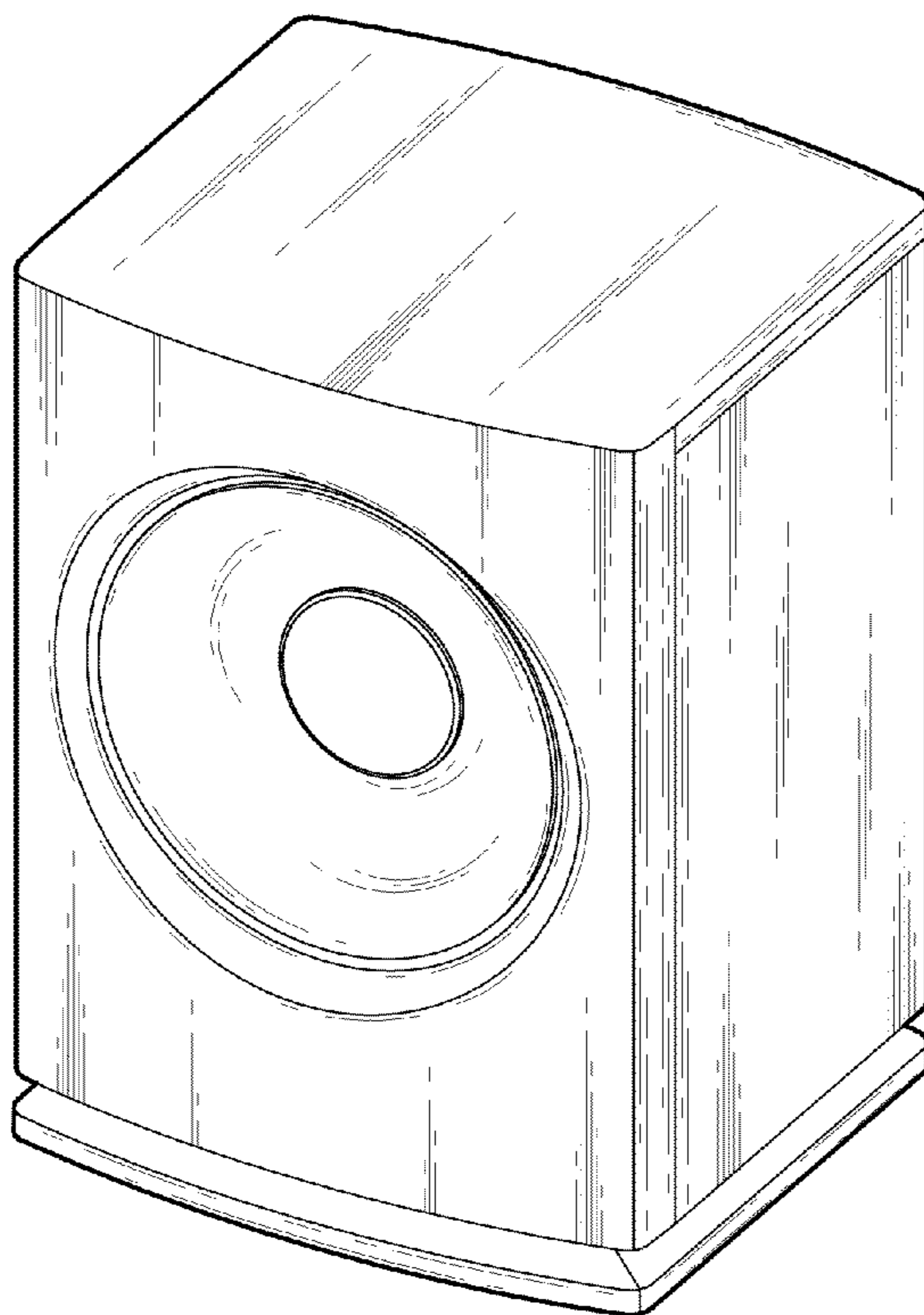


FIG. 1

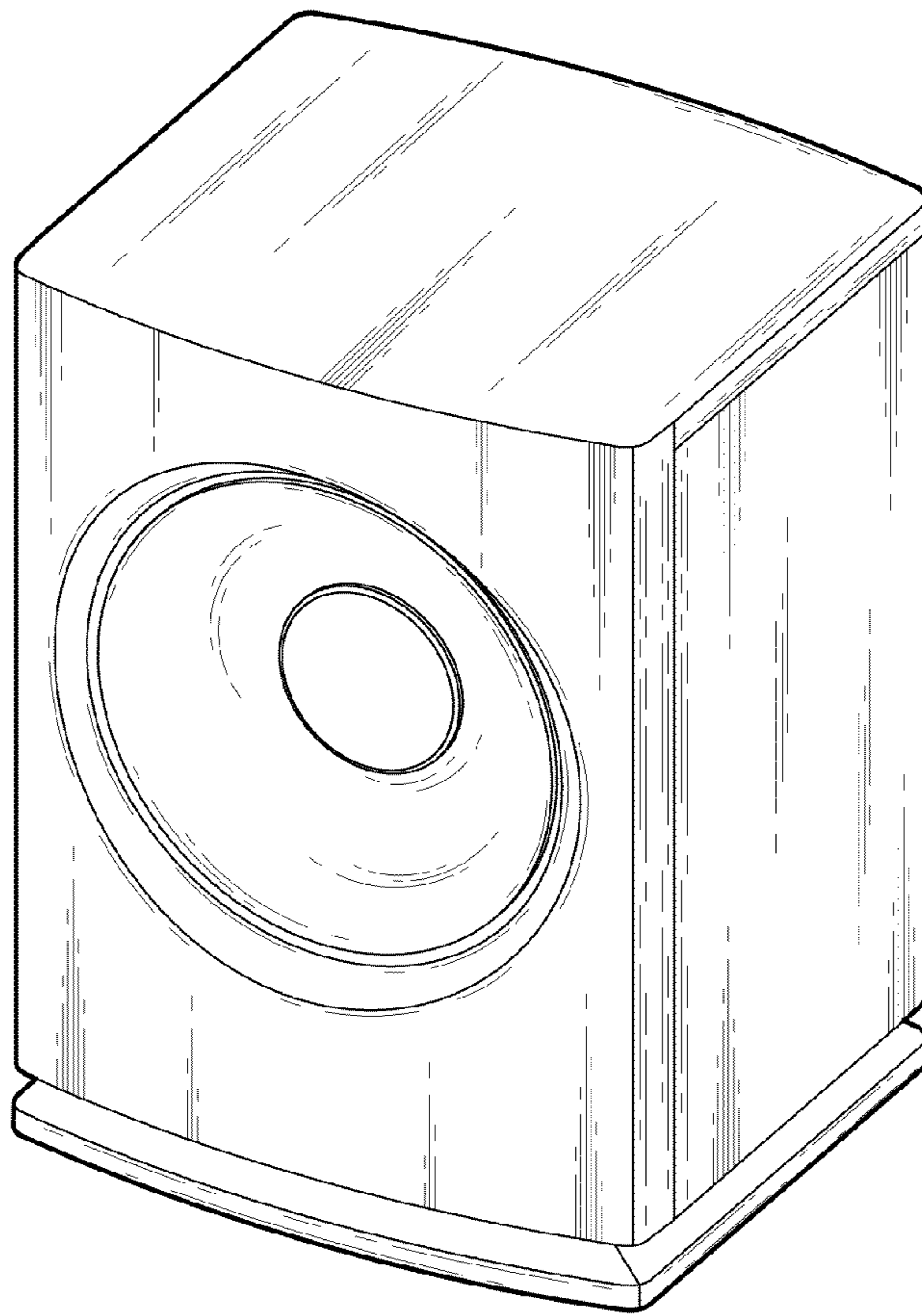


FIG. 2

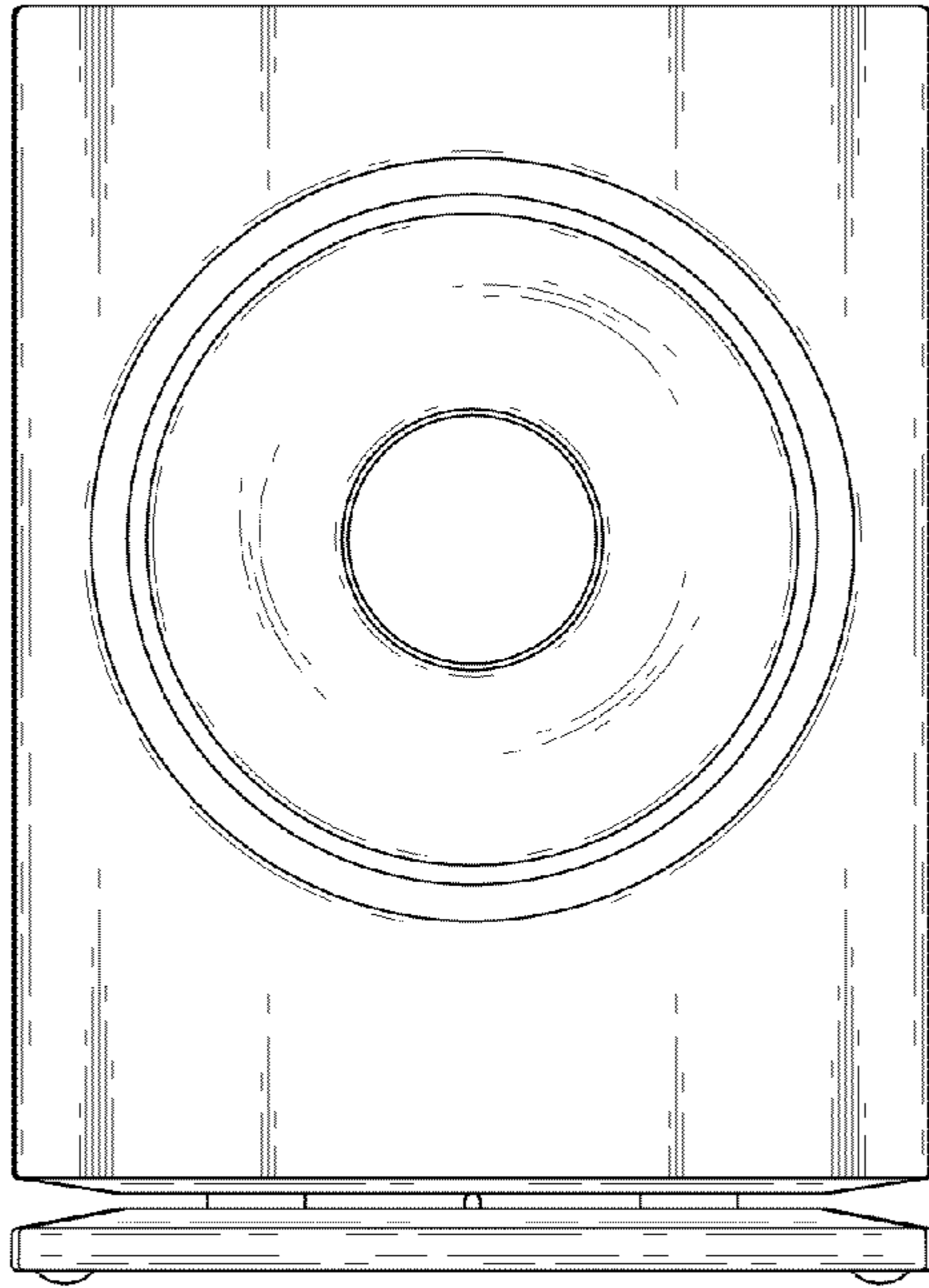


FIG. 3

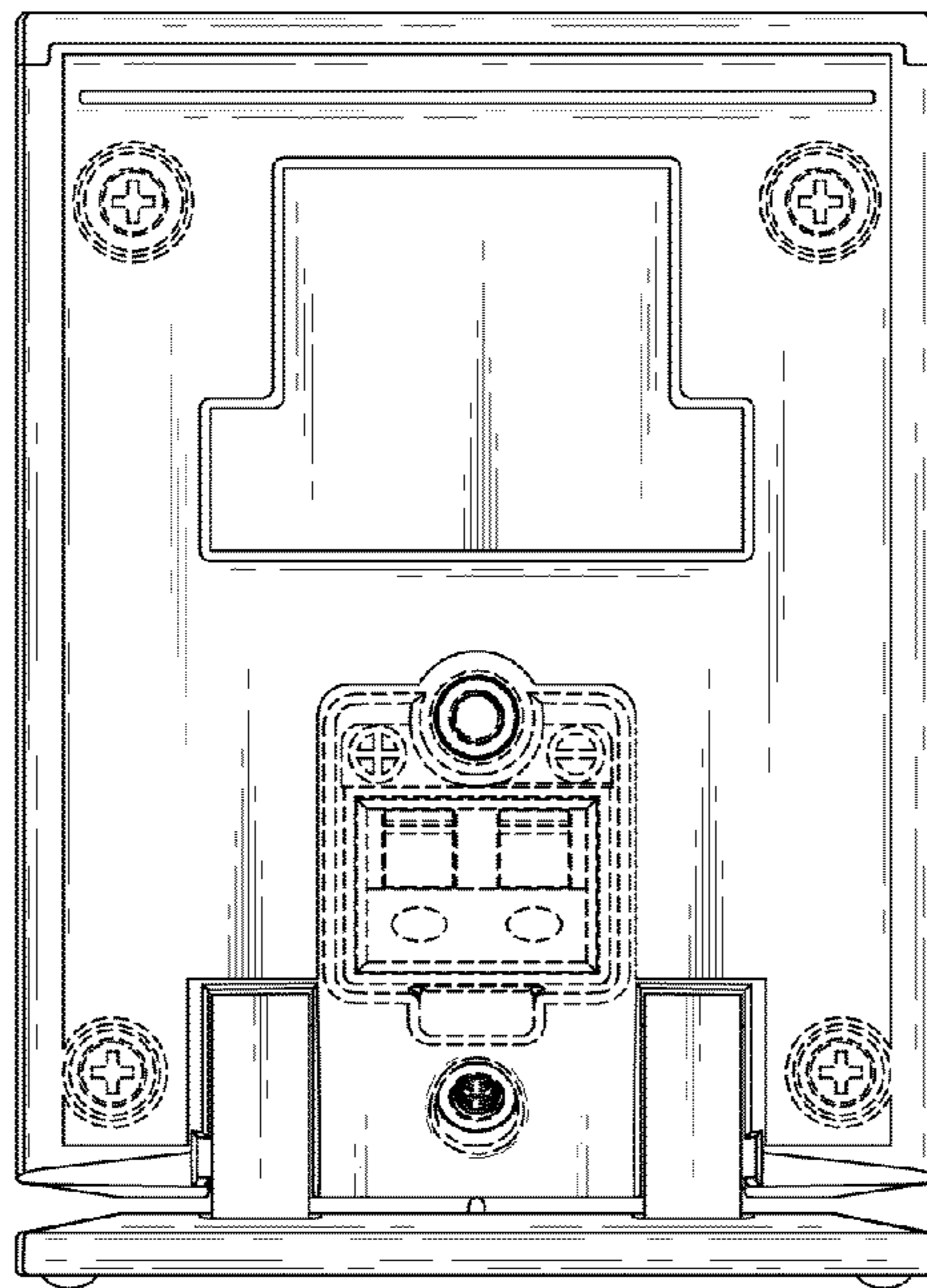


FIG. 4

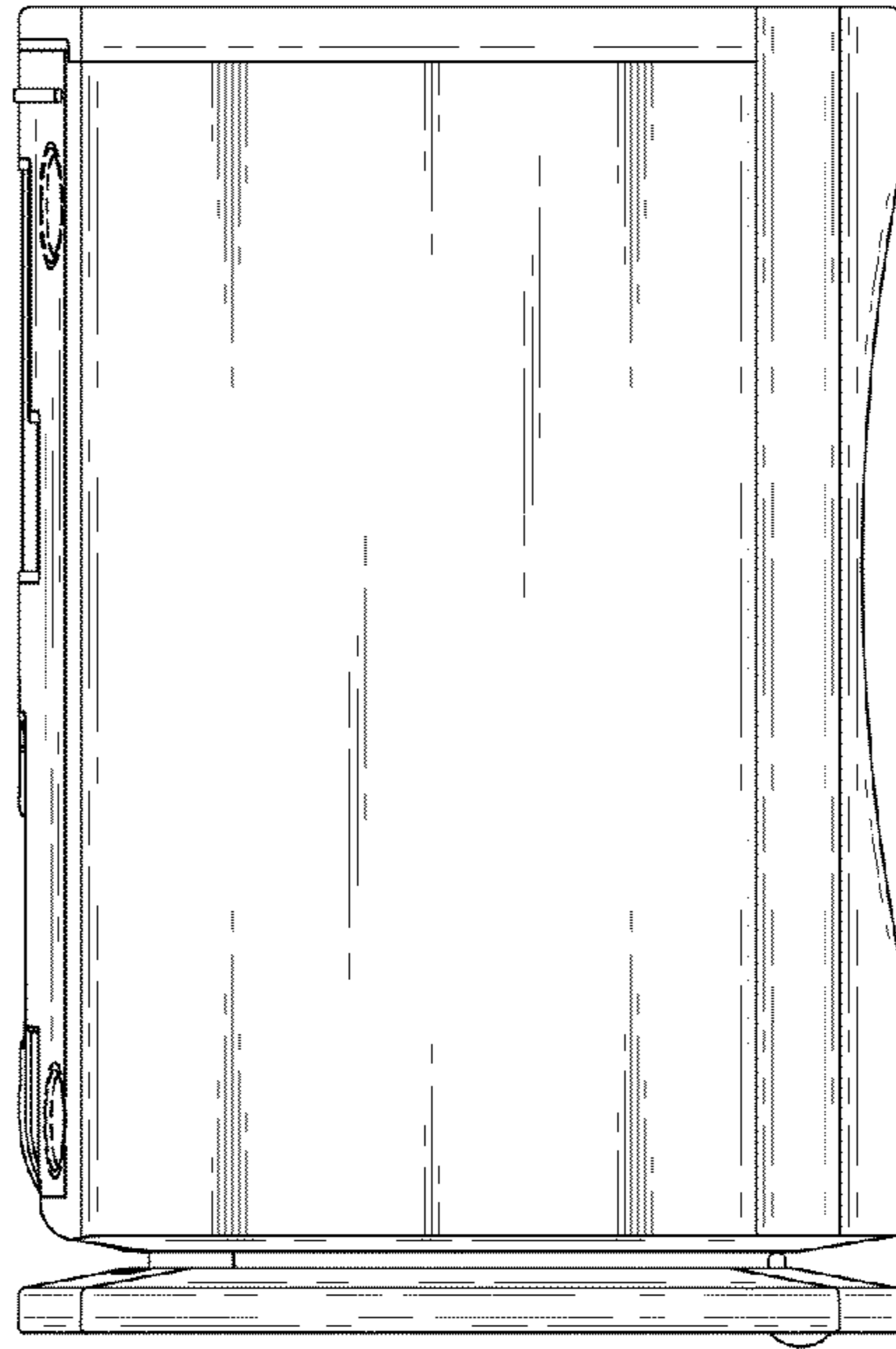


FIG. 5

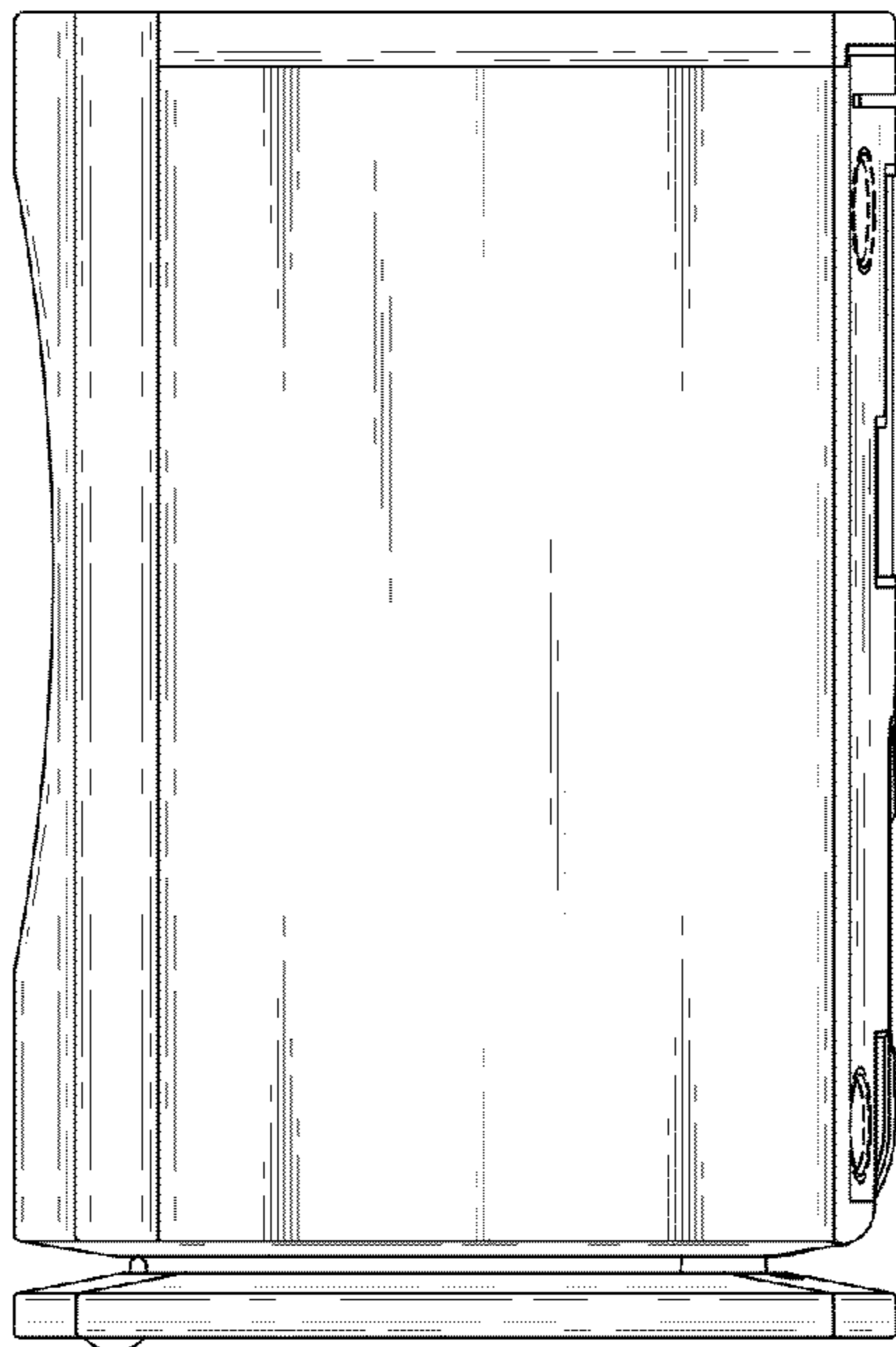


FIG. 6

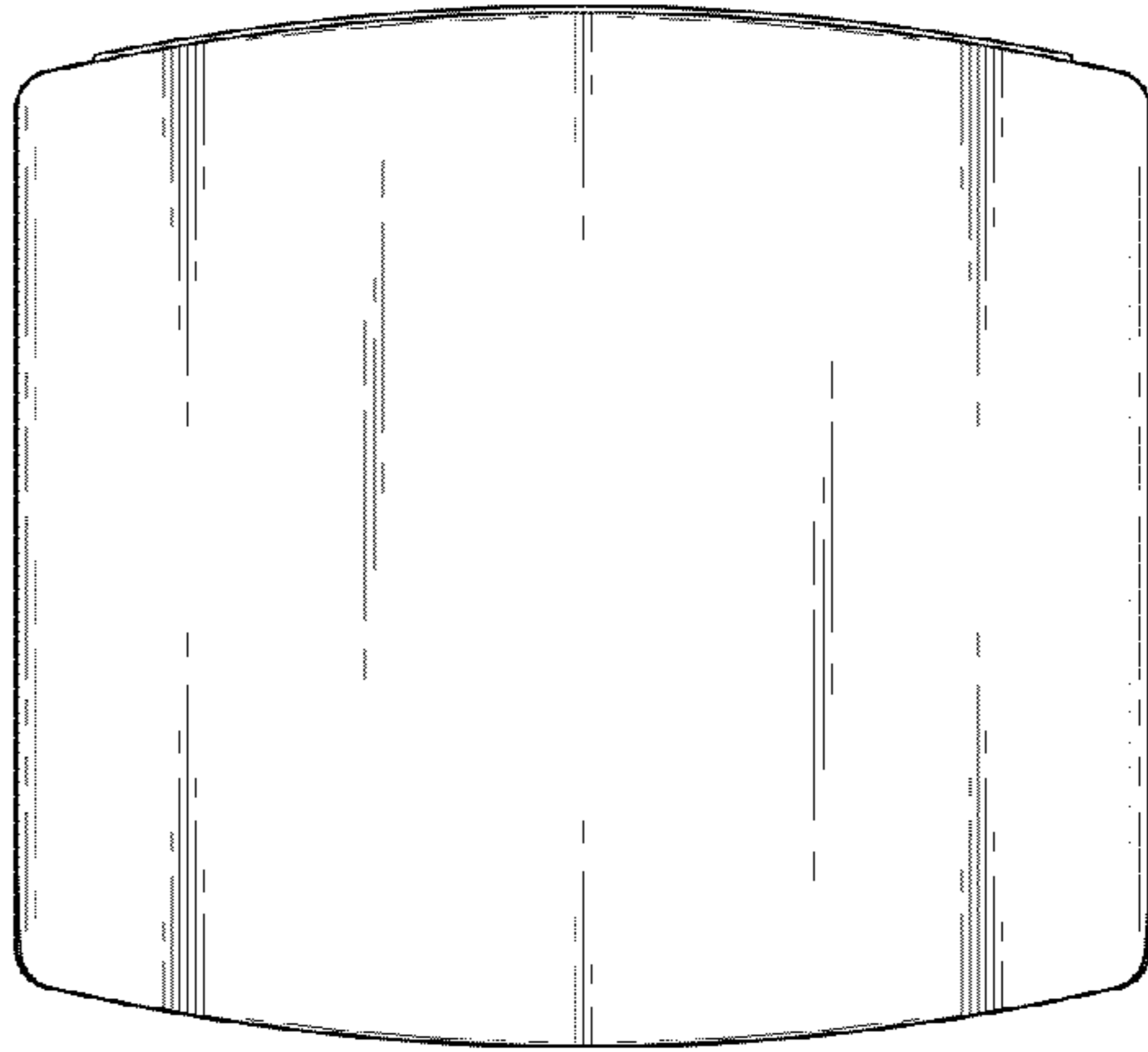


FIG. 7

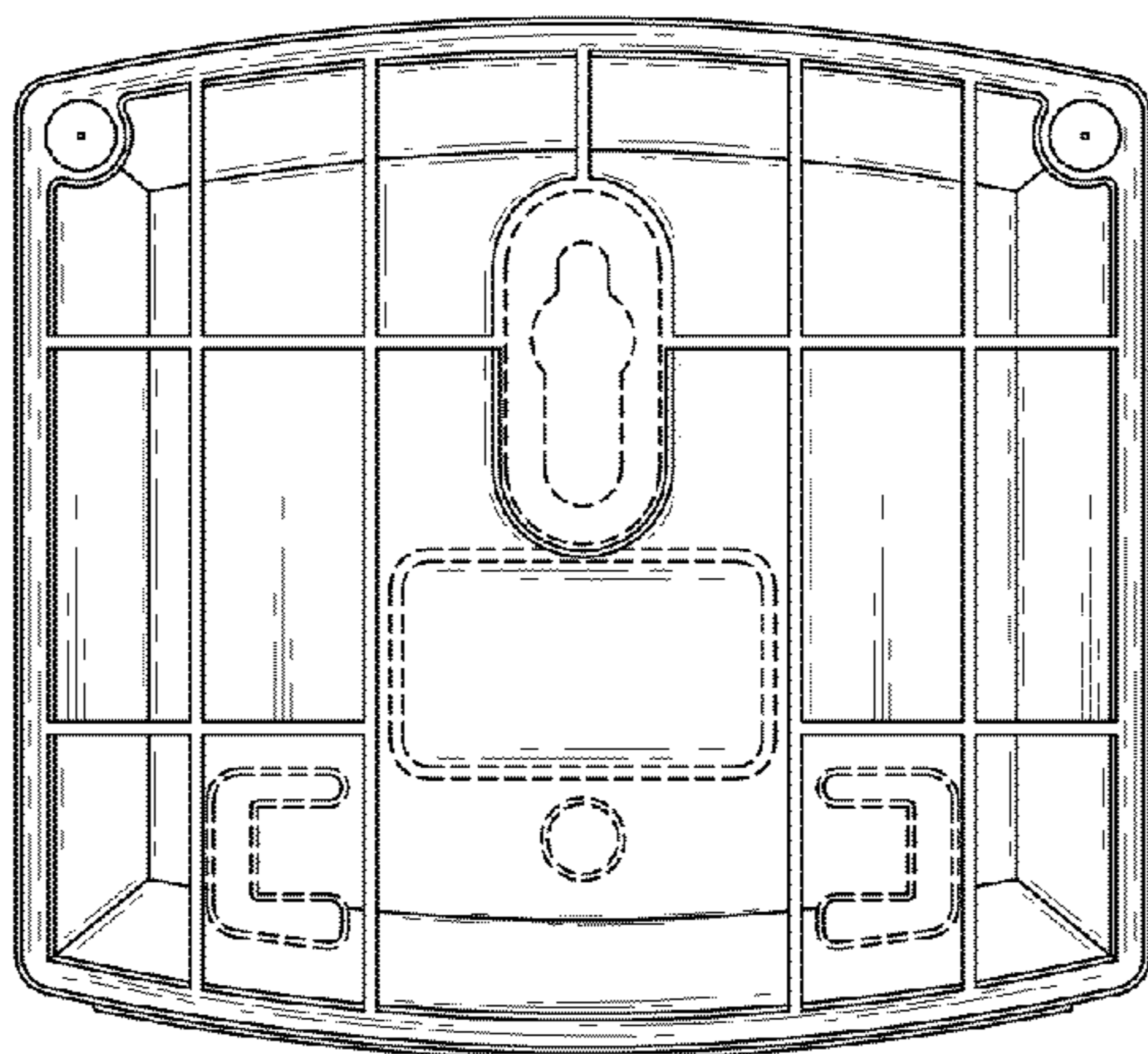


FIG. 8

