



US00D729199S

(12) **United States Design Patent**  
**Staebler**

(10) **Patent No.:** **US D729,199 S**

(45) **Date of Patent:** **\*\* May 12, 2015**

(54) **PORTABLE ELECTRONIC DEVICE AUDIO SPEAKER IN THE FORM OF A FURNITURE OTTOMAN**

(71) Applicant: **Phoniture, LLC**, Southfield, MI (US)

(72) Inventor: **Jeffrey R. Staebler**, Livonia, MI (US)

(73) Assignee: **Phoniture, LLC**, Southfield, MI (US)

(\*\*) Term: **14 Years**

(21) Appl. No.: **29/471,059**

(22) Filed: **Oct. 28, 2013**

**Related U.S. Application Data**

(63) Continuation of application No. 13/553,030, filed on Jul. 19, 2012.

(51) **LOC (10) Cl.** ..... **14-01**

(52) **U.S. Cl.**  
USPC ..... **D14/207**

(58) **Field of Classification Search**  
CPC .. H04M 1/04; H02J 2007/0062; H02J 7/0044  
USPC ..... D14/204, 207, 210–216, 172, 209.1, D14/203.2, 189; 181/143, 144, 147, 148, 181/150–153, 157, 198, 199; 381/300–303, 381/306, 332, 333, 336, 345, 361–364, 381/386–388; D11/160, 162, 606–609, D11/832; 455/344–347, 550.1, 562.1, 569, 455/572–574, 575.1; 369/6–12; 379/454, 379/455

See application file for complete search history.

(56) **References Cited**

**U.S. PATENT DOCUMENTS**

D279,052 S 6/1985 McDonald  
4,862,438 A \* 8/1989 Fry ..... 369/19  
5,076,405 A \* 12/1991 Modica ..... 190/1  
5,713,741 A \* 2/1998 DeMars ..... 434/319  
5,819,346 A \* 10/1998 Lane ..... 5/639  
D407,230 S 3/1999 Lieberman  
D423,013 S \* 4/2000 Warner ..... D14/207

D427,590 S 7/2000 Mou  
D430,154 S 8/2000 Mou  
6,152,252 A \* 11/2000 Pettersson ..... 180/282  
D446,513 S 8/2001 Mou  
D464,639 S \* 10/2002 White ..... D14/207  
D471,907 S 3/2003 Peiker  
6,978,030 B2 \* 12/2005 Reich ..... 381/124  
7,191,924 B2 3/2007 Kilmer  
D540,304 S \* 4/2007 Tse ..... D14/207  
D572,235 S \* 7/2008 Imawaki ..... D14/207  
D609,461 S 2/2010 Boyd  
D691,114 S \* 10/2013 Manz ..... D14/207  
D699,217 S \* 2/2014 McCoy ..... D14/207  
D701,852 S \* 4/2014 Park ..... D14/207  
2002/0191782 A1 12/2002 Beger et al.  
2005/0141699 A1 6/2005 Cheung

\* cited by examiner

*Primary Examiner* — Prabhakar Deshmukh

(74) *Attorney, Agent, or Firm* — Young Basile Hanlon & MacFarlane P.C.

(57) **CLAIM**

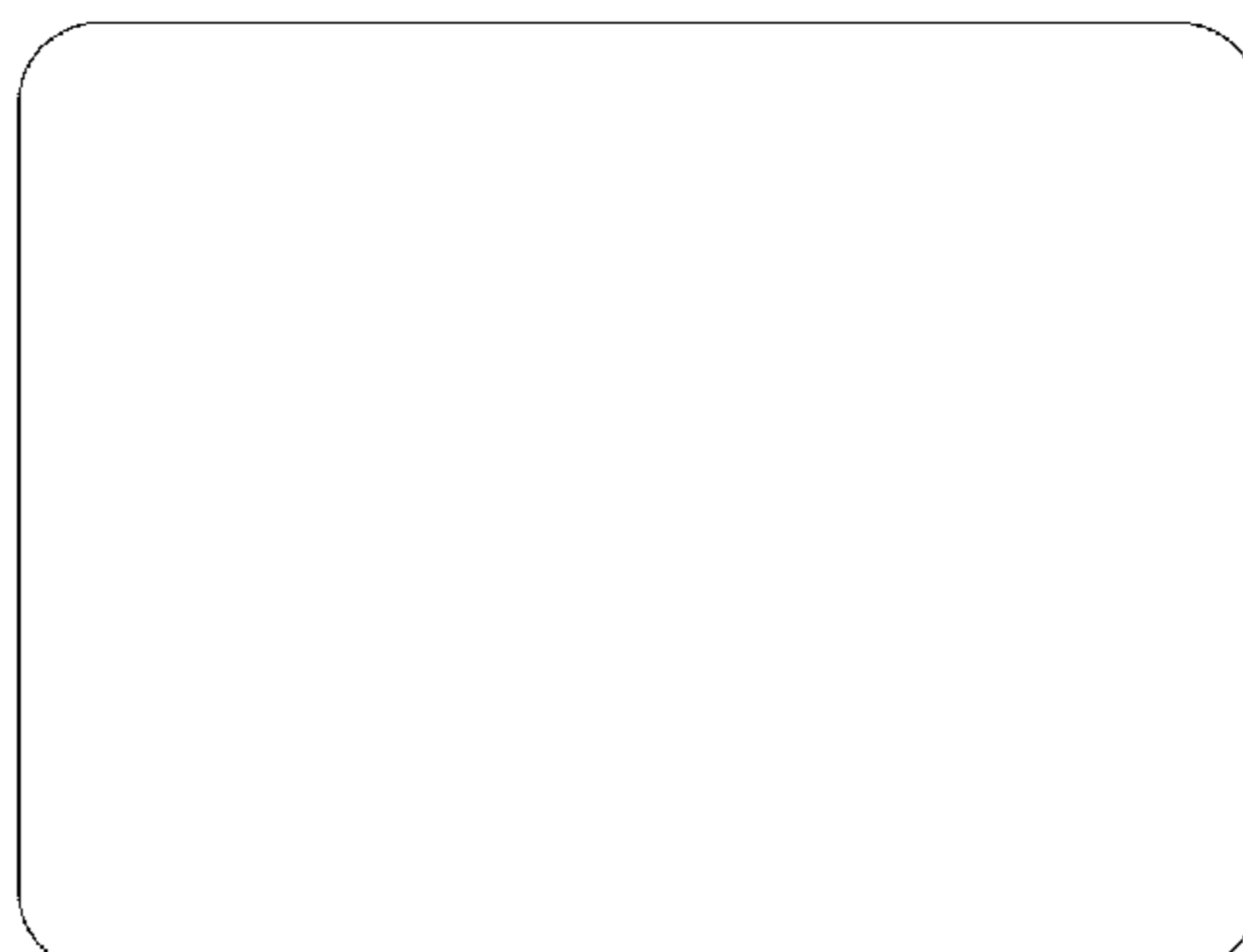
The ornamental design for a portable electronic device audio speaker in the form of a furniture ottoman, as shown and described.

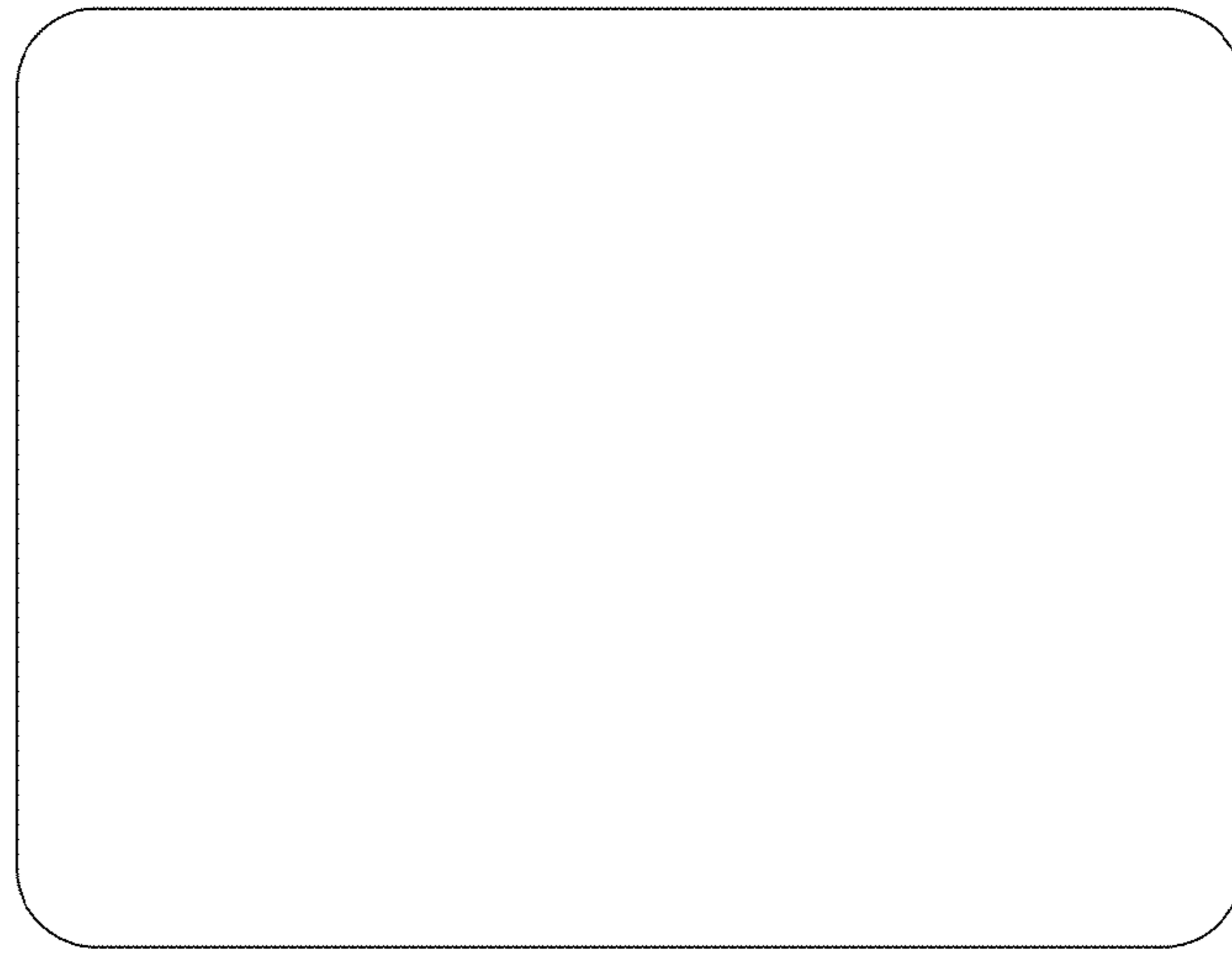
**DESCRIPTION**

FIG. 1 is a top plan view of a portable electronic device audio speaker in the form of a furniture ottoman showing my new design;  
FIG. 2 is a front elevation view thereof;  
FIG. 3 is a rear elevation view thereof;  
FIG. 4 is a right side elevation view thereof, the left side elevation view being a mirror image thereof;  
FIG. 5 is a bottom plan view thereof;  
FIG. 6 is a perspective view thereof; and,  
FIG. 7 is a perspective view thereof; shown in an environmental use.

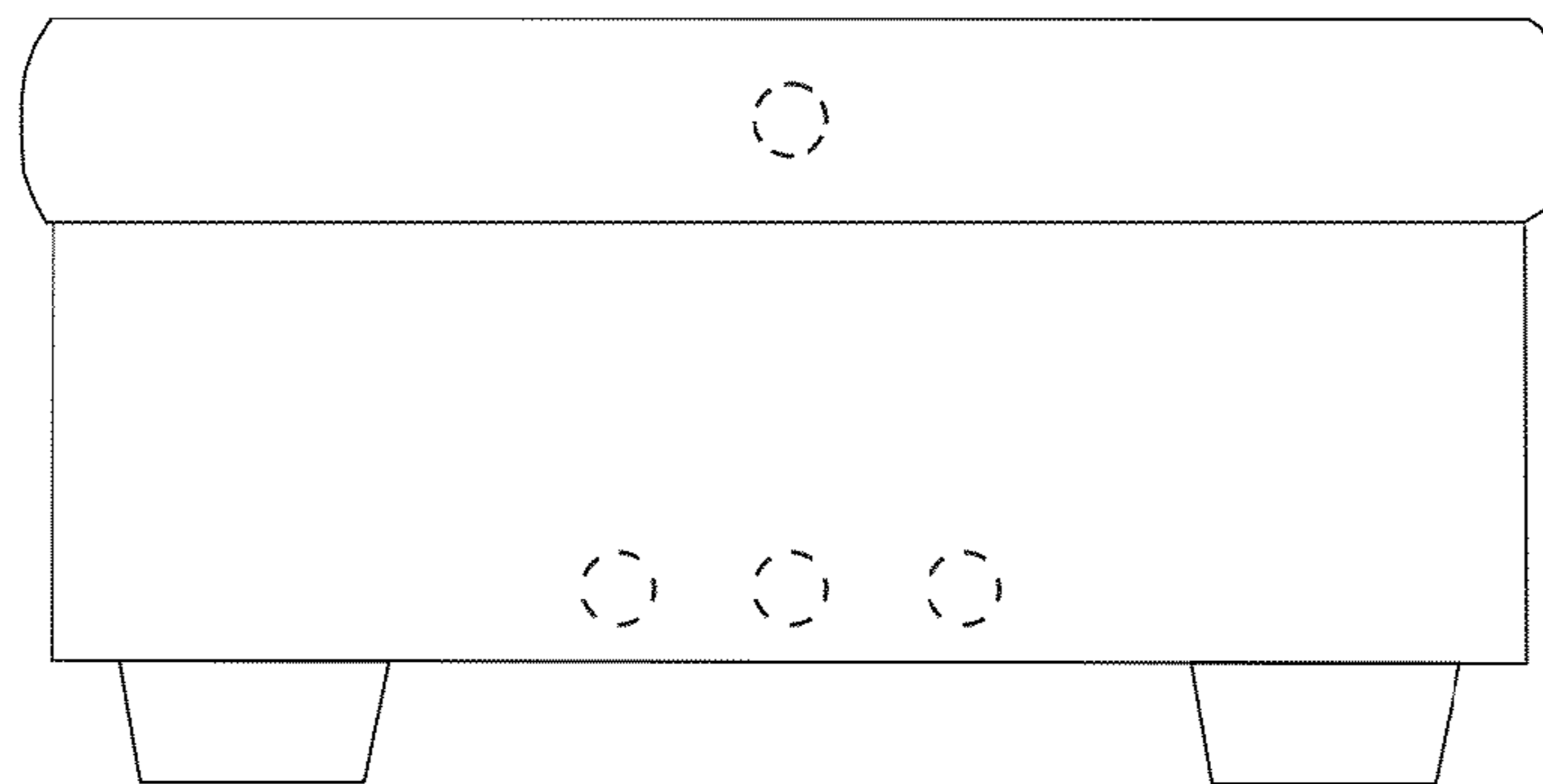
The broken lines indicate unclaimed portions. The other broken lines in FIG. 7 show of an exemplary electronic device and cradle for illustrative purposes only. None of the broken lines form part of the claimed design.

**1 Claim, 4 Drawing Sheets**

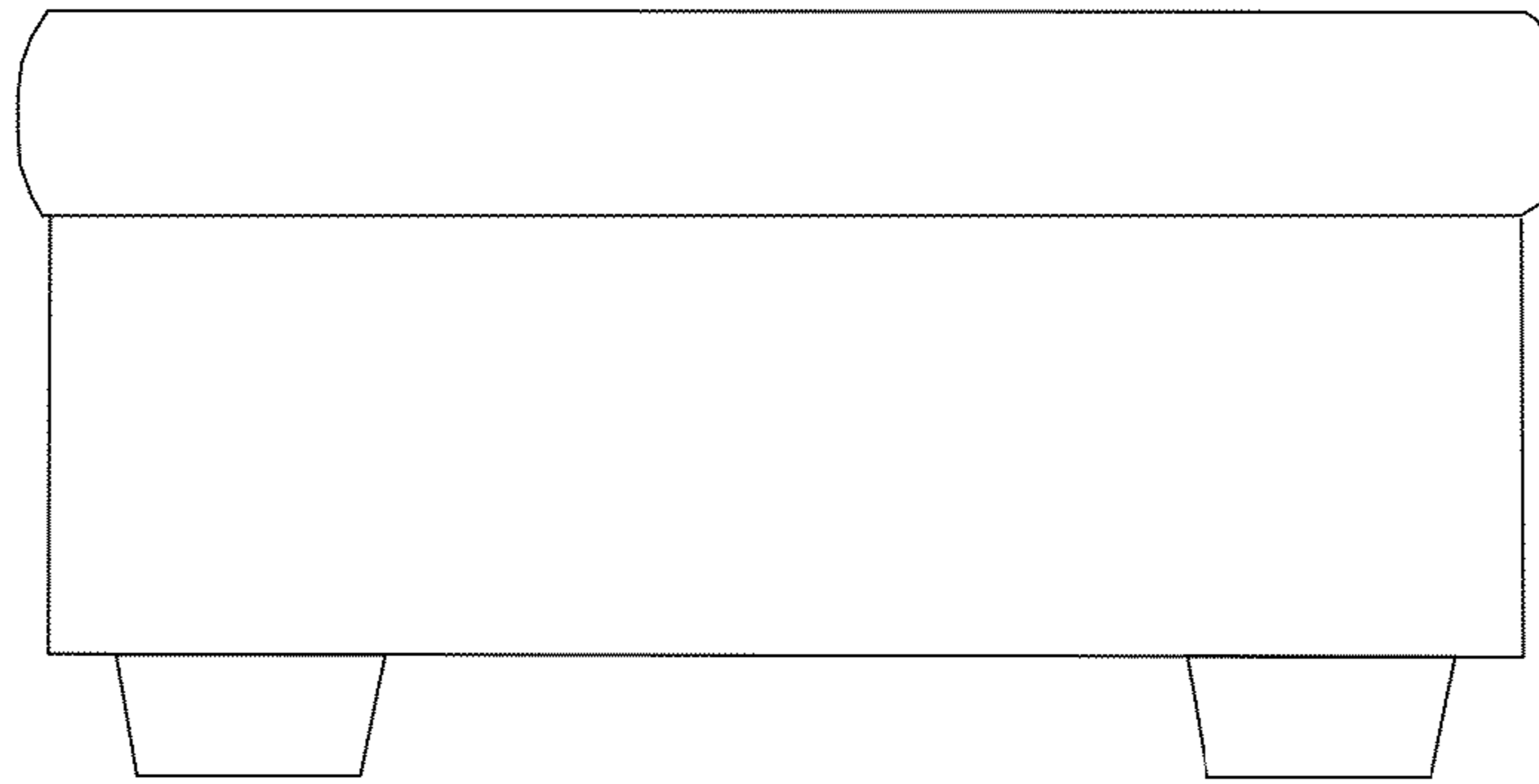




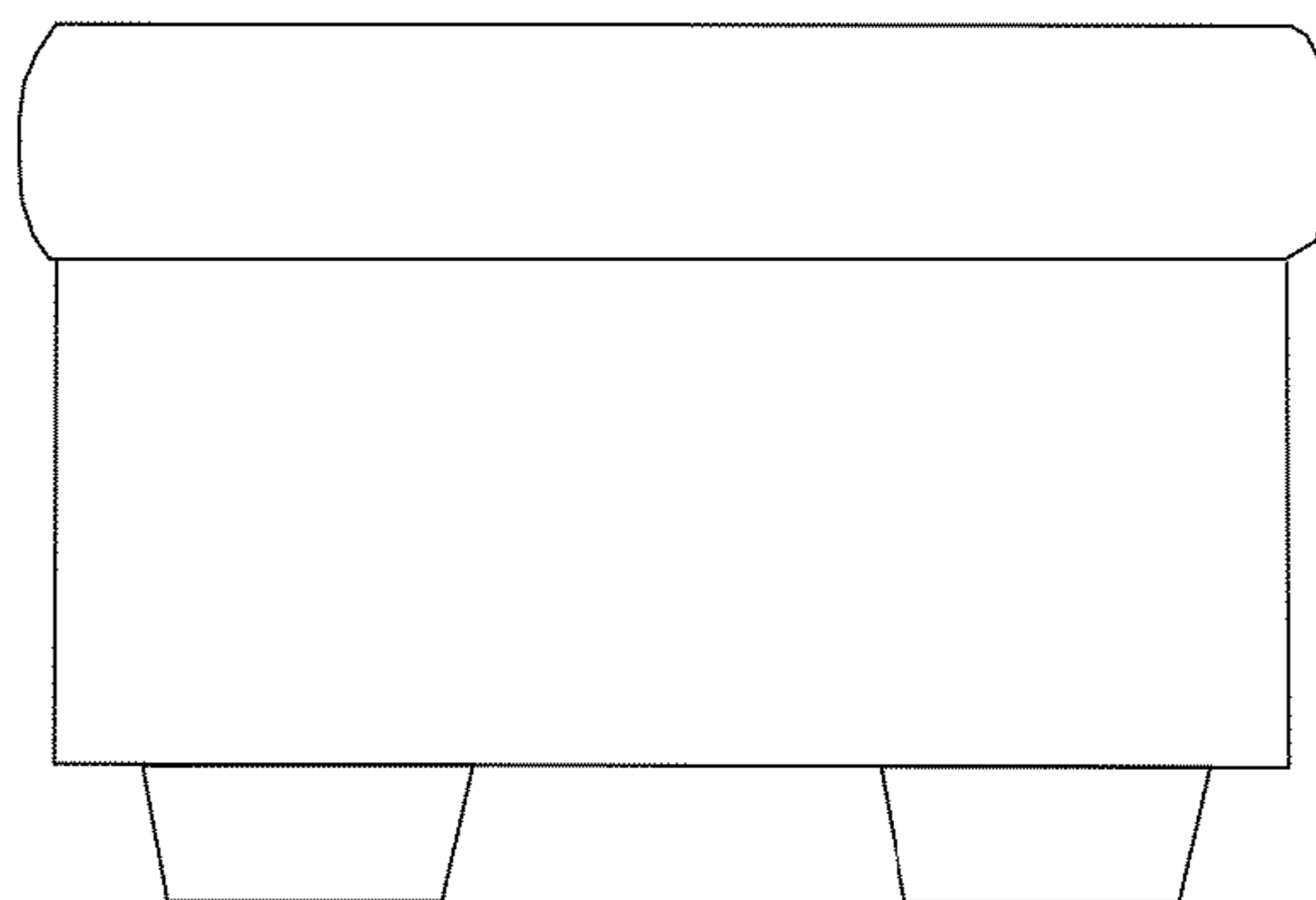
**FIG. 1**



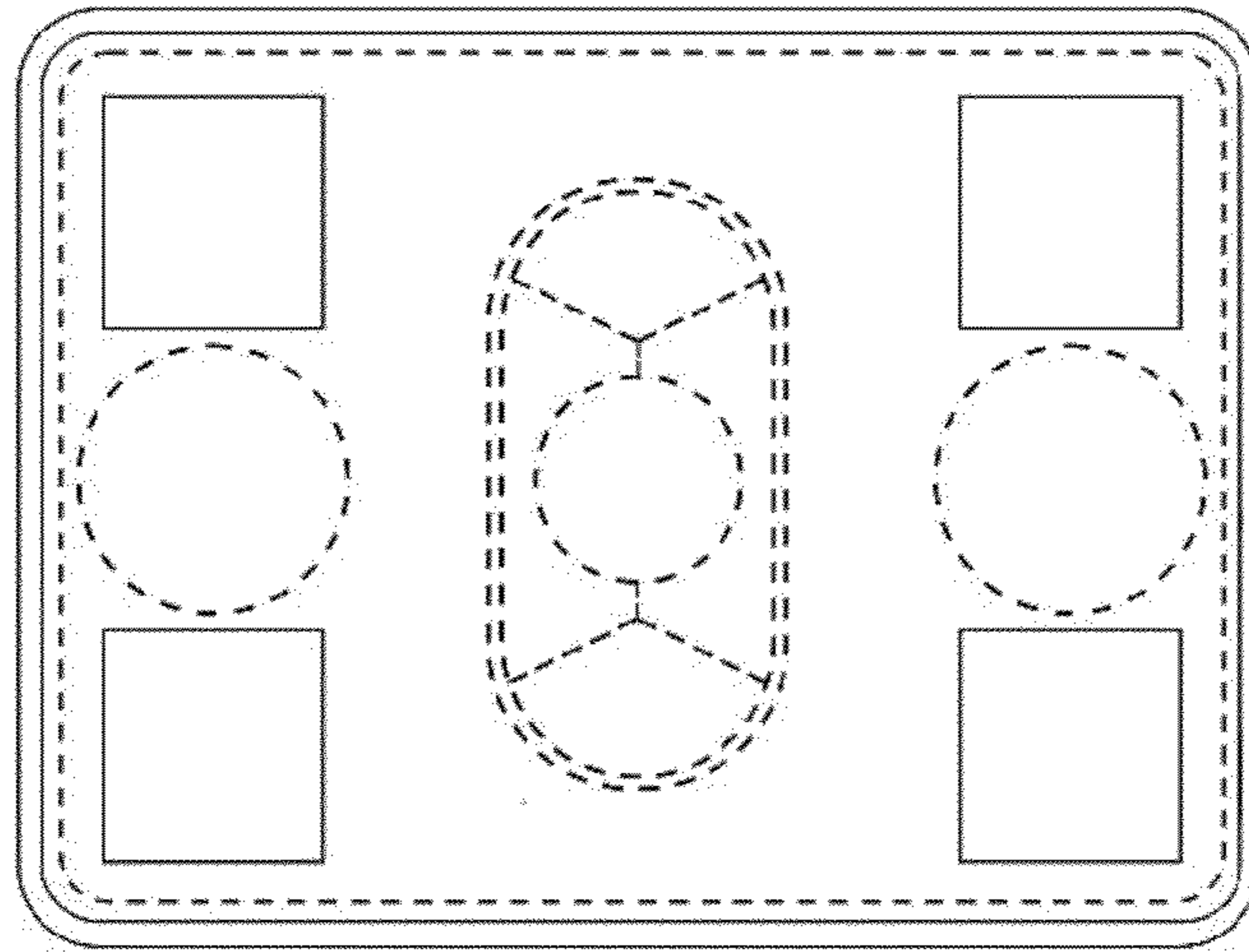
**FIG. 2**



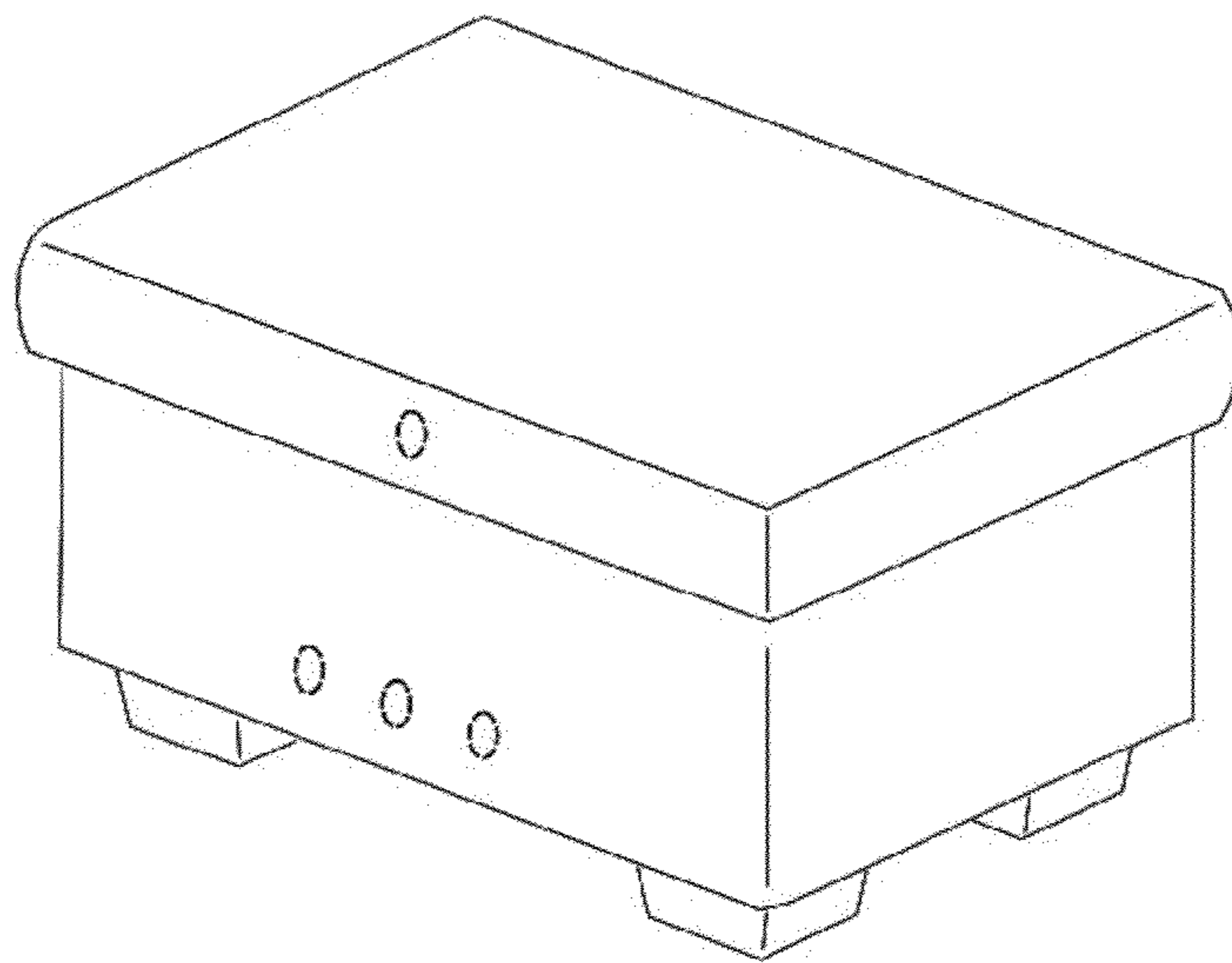
**FIG. 3**



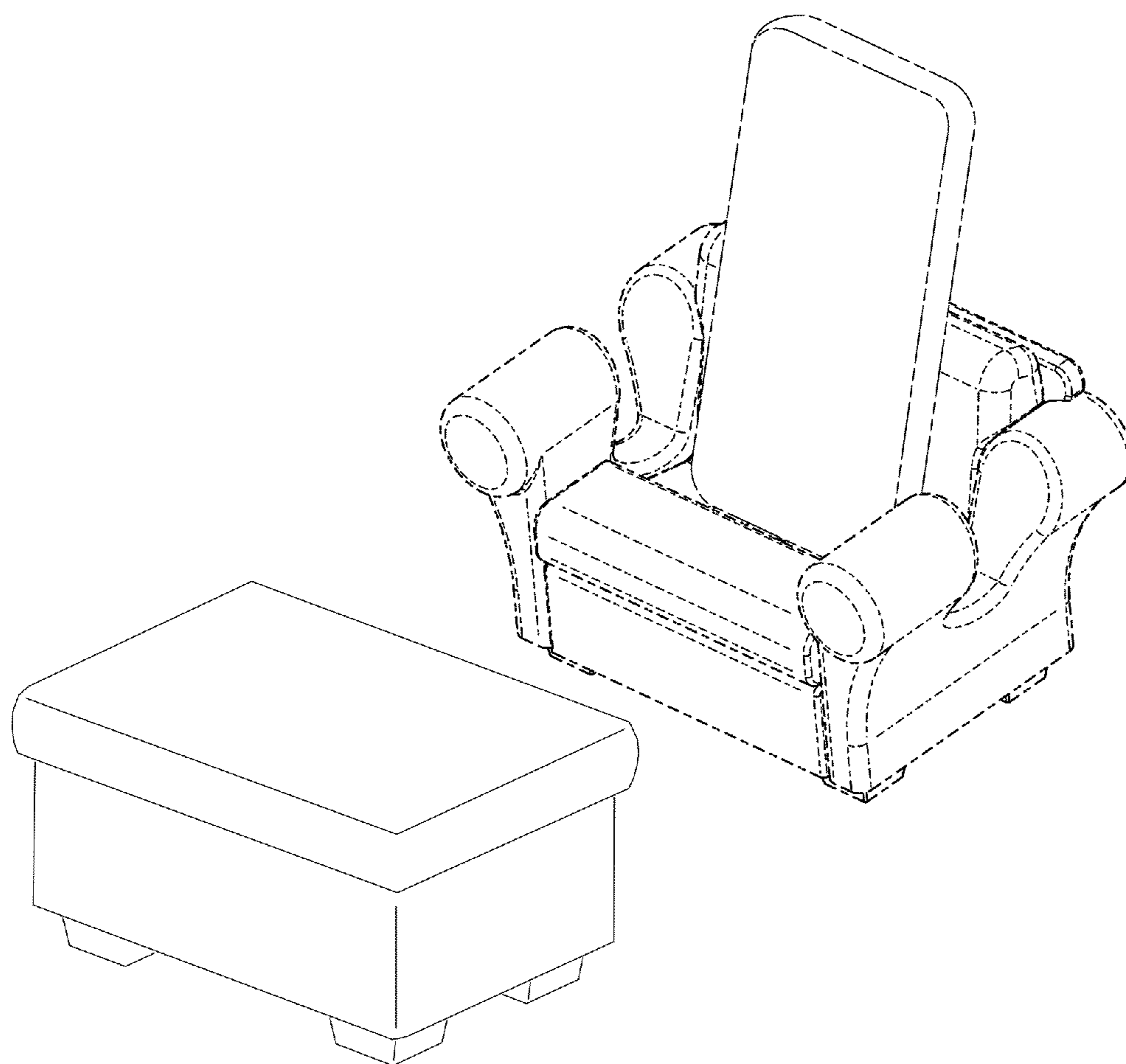
**FIG. 4**



**FIG. 5**



**FIG. 6**



**FIG. 7**