



US00D729198S

(12) **United States Design Patent**
Brunner et al.

(10) **Patent No.:** **US D729,198 S**

(45) **Date of Patent:** **** May 12, 2015**

(54) **AUDIO LISTENING SYSTEM**

(71) Applicant: **Apple Inc.**, Cupertino, CA (US)

(72) Inventors: **Robert Brunner**, San Francisco, CA (US); **Gregoire Vandebussche**, San Francisco, CA (US); **Chris Fruhauf**, San Anselmo, CA (US)

(73) Assignee: **Apple Inc.**, Cupertino, CA (US)

(**) Term: **14 Years**

(21) Appl. No.: **29/488,470**

(22) Filed: **Apr. 18, 2014**

D563,382 S *	3/2008	Wikel	D14/205
D600,674 S *	9/2009	Brennwald	D14/205
D632,668 S *	2/2011	Brunner et al.	D14/205
D635,959 S *	4/2011	Hutchieson	D14/205
D637,176 S *	5/2011	Brunner et al.	D14/205
D657,344 S *	4/2012	Brunner et al.	D14/205
D657,345 S *	4/2012	Brunner et al.	D14/205
D657,776 S *	4/2012	Lee et al.	D14/205
D660,824 S *	5/2012	Hardi et al.	D14/205
D663,716 S *	7/2012	Hardi et al.	D14/205
D671,914 S *	12/2012	Lee et al.	D14/205
D674,767 S *	1/2013	Brunner et al.	D14/205
D689,463 S *	9/2013	Hardi et al.	D14/205
D696,226 S *	12/2013	Brunner et al.	D14/205
D702,210 S *	4/2014	Birger	D14/205
D704,163 S *	5/2014	Brunner et al.	D14/205
D707,200 S *	6/2014	Yang	D14/205
D720,721 S *	1/2015	Lu	D14/205

* cited by examiner

Related U.S. Application Data

(60) Division of application No. 29/475,634, filed on Dec. 4, 2013, now Pat. No. Des. 704,163, which is a continuation of application No. 29/417,832, filed on Apr. 9, 2012, now Pat. No. Des. 696,226, which is a division of application No. 29/382,418, filed on Jan. 3, 2011, now Pat. No. Des. 657,345.

(51) **LOC (10) Cl.** **14-01**

(52) **U.S. Cl.**
USPC **D14/205**

(58) **Field of Classification Search**
CPC H04R 1/1066
USPC D14/205; D29/112; 2/209; 181/129, 181/130, 135; 379/430, 431; 381/380, 381, 381/374; 455/90.3, 575.1
See application file for complete search history.

(56) **References Cited**

U.S. PATENT DOCUMENTS

1,606,165 A *	11/1926	Glenn	381/384
2,025,385 A *	12/1935	Grace et al.	381/417
D244,300 S *	5/1977	Besasie	D14/205
D328,074 S *	7/1992	Yamazaki et al.	D14/205
D342,071 S *	12/1993	Wright et al.	D14/223
7,072,483 B2 *	7/2006	Lenhard-Backhaus	381/383

Primary Examiner — Paula Greene

(74) *Attorney, Agent, or Firm* — Sterne, Kessler, Goldstein & Fox P.L.L.C.

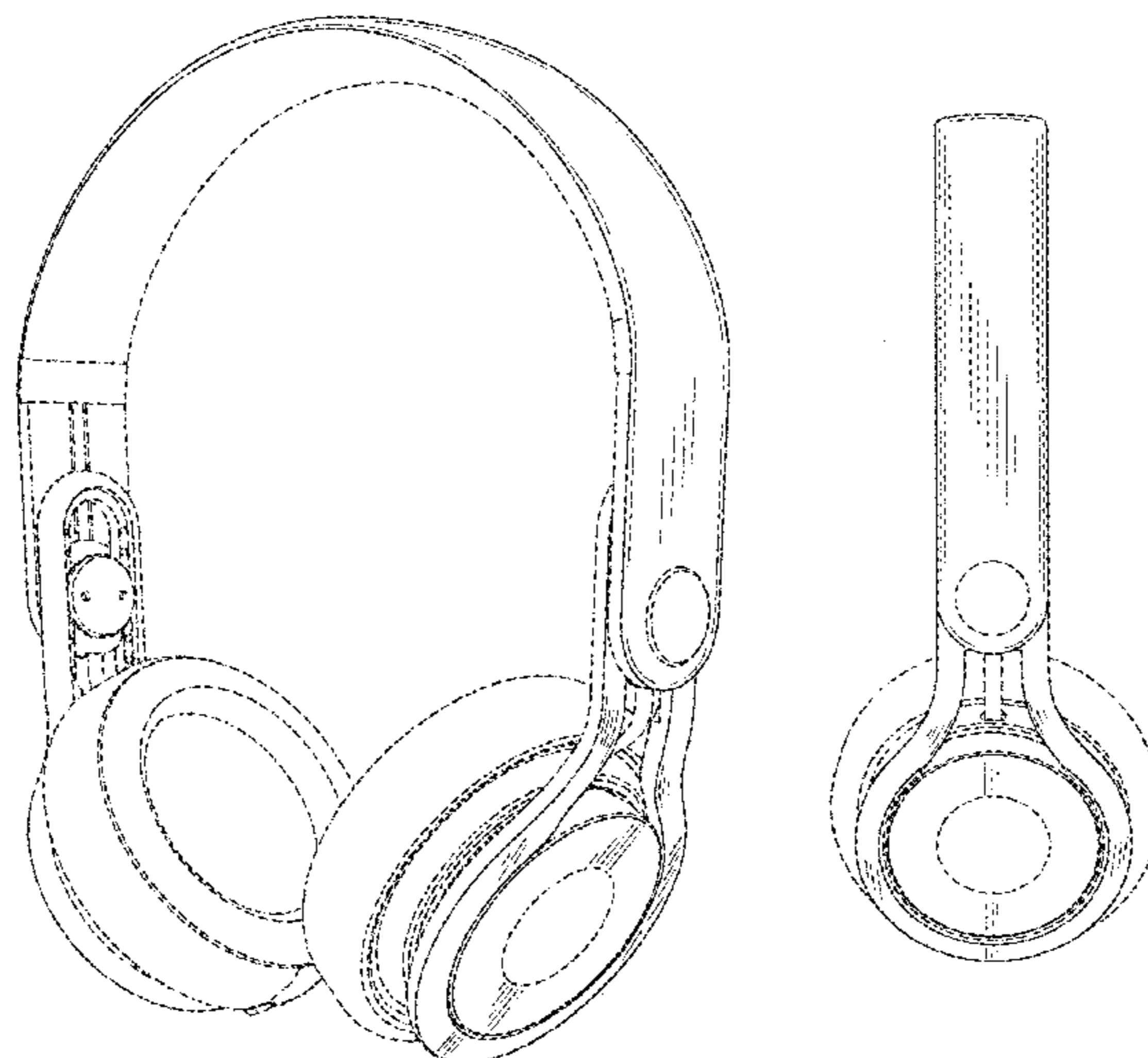
(57) **CLAIM**

The ornamental design for audio listening system, as shown and described.

DESCRIPTION

FIG. 1 is a perspective view of the audio listening system in accordance with the present invention;
FIG. 2 is a front view of the embodiment of the audio listening system depicted in FIG. 1
FIG. 3 is a side view of the embodiment of the audio listening system depicted in FIG. 1;
FIG. 4 is a top view of the embodiment of the audio listening system depicted in FIG. 1; and,
FIG. 5 is a bottom view of the embodiment of the audio listening system depicted in FIG. 1.
The broken lines showing the environment in the figures are for illustrative purposes only and form no part of the claimed design.

1 Claim, 3 Drawing Sheets



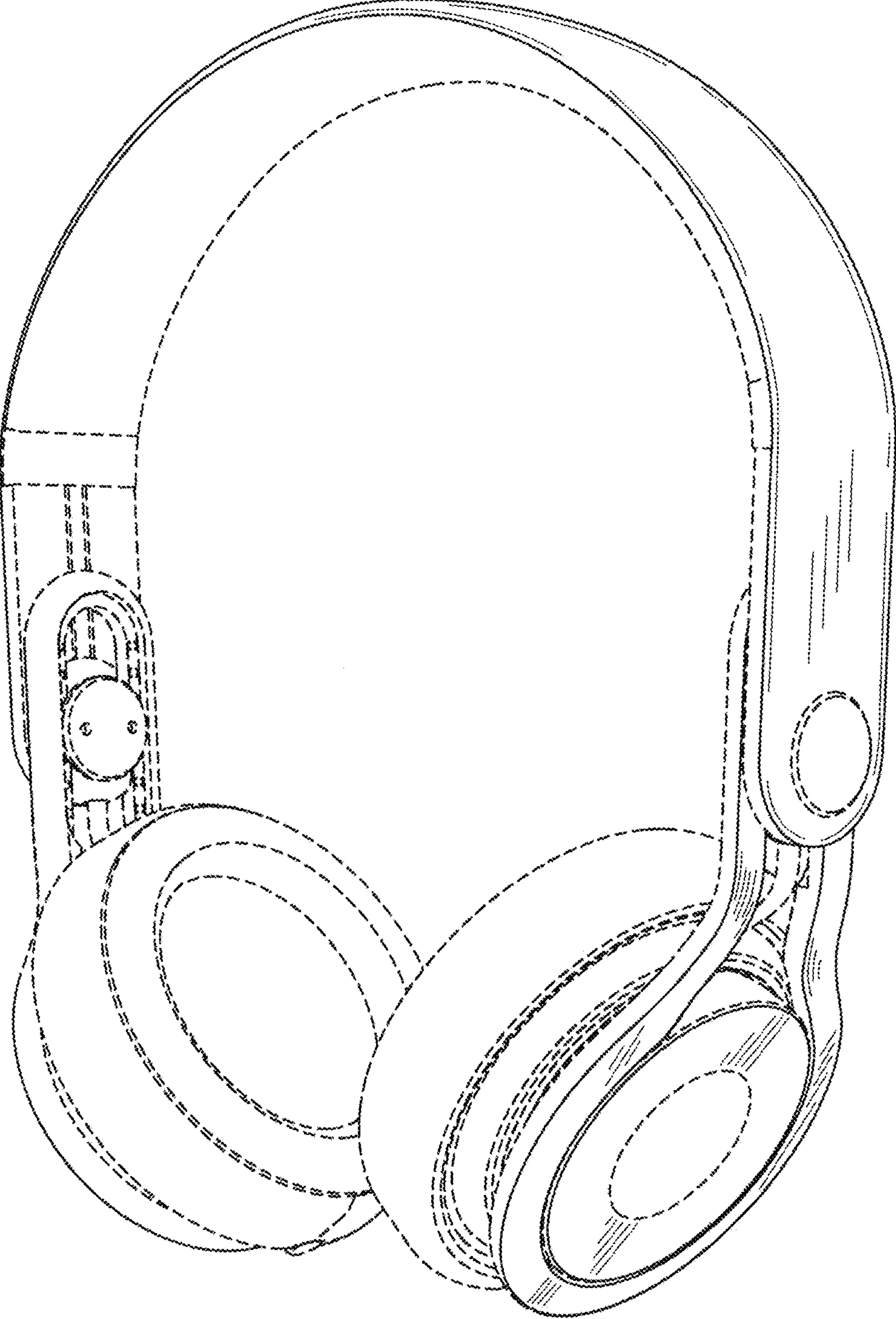


FIG. 1

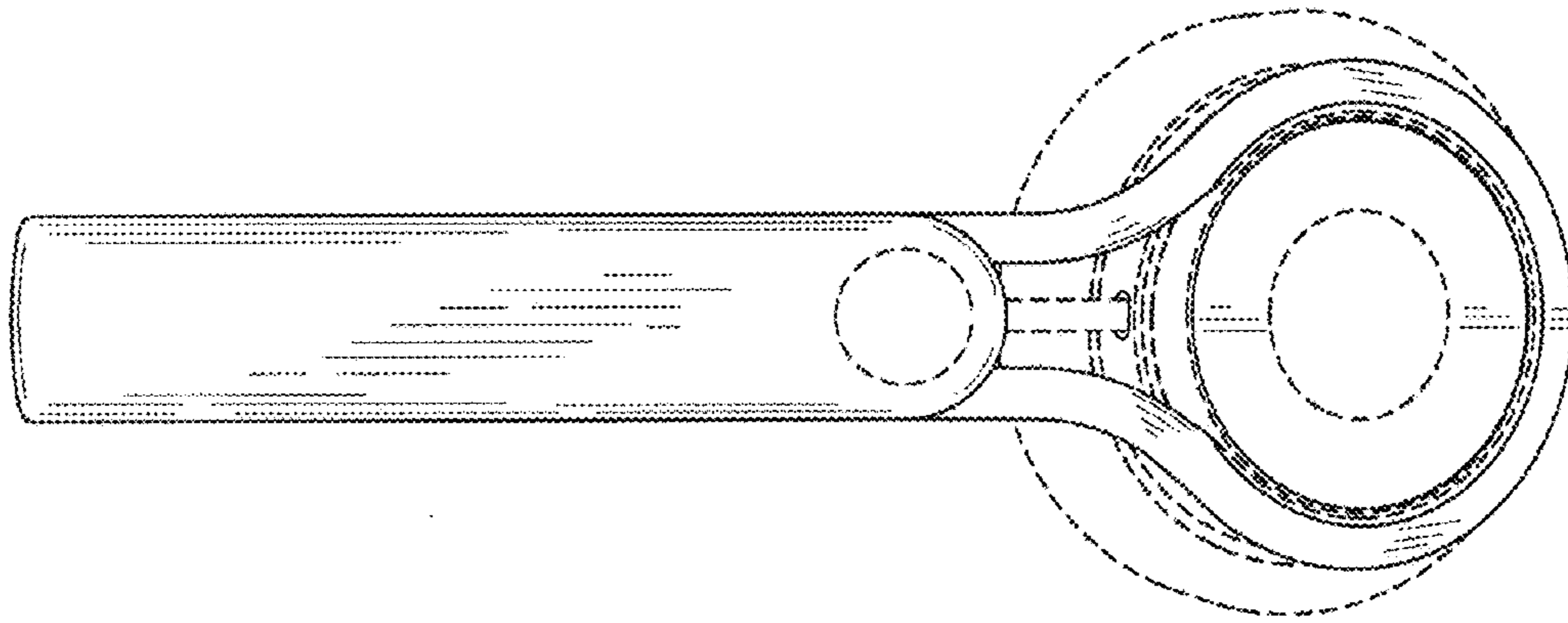


FIG. 3

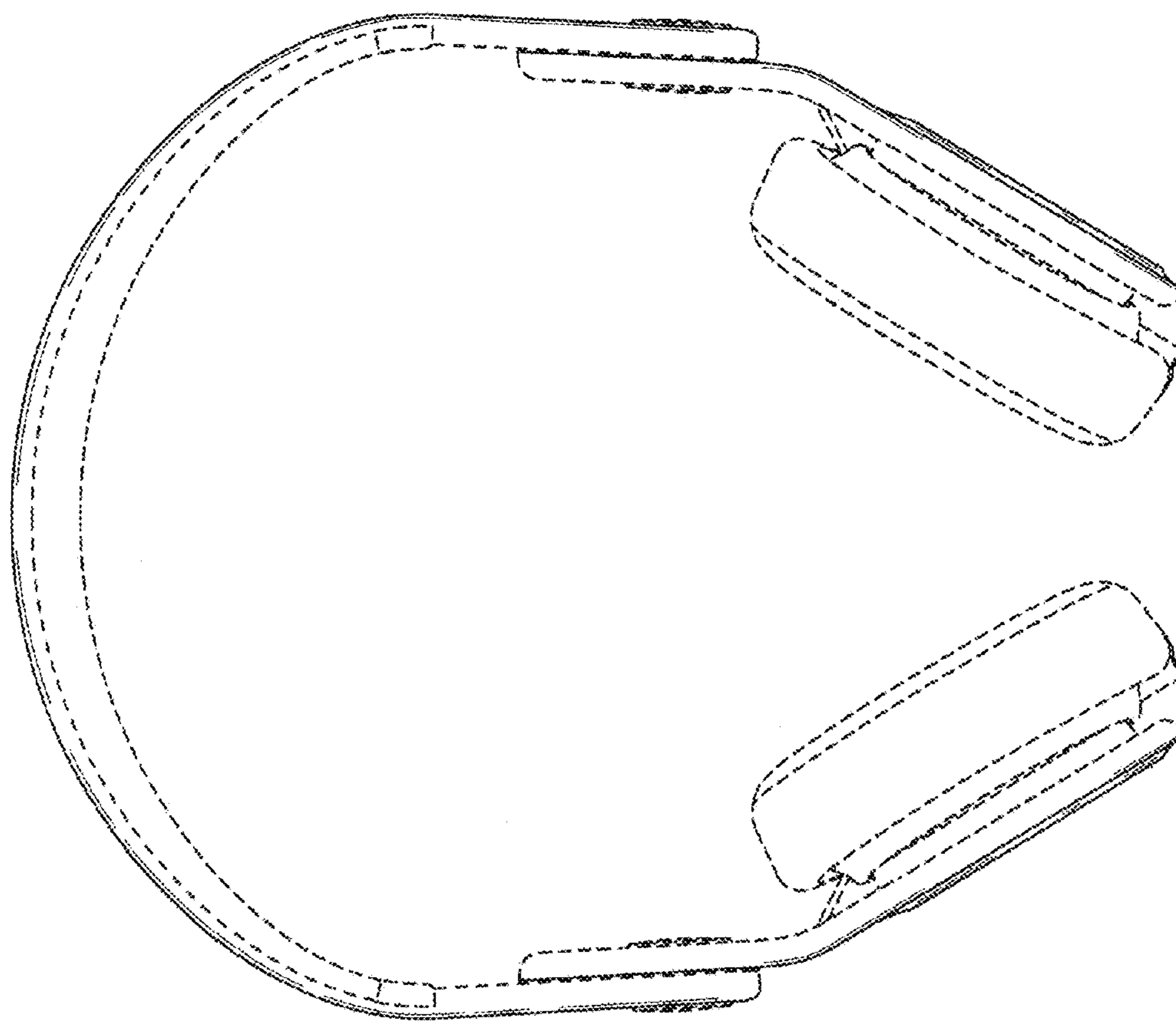


FIG. 2

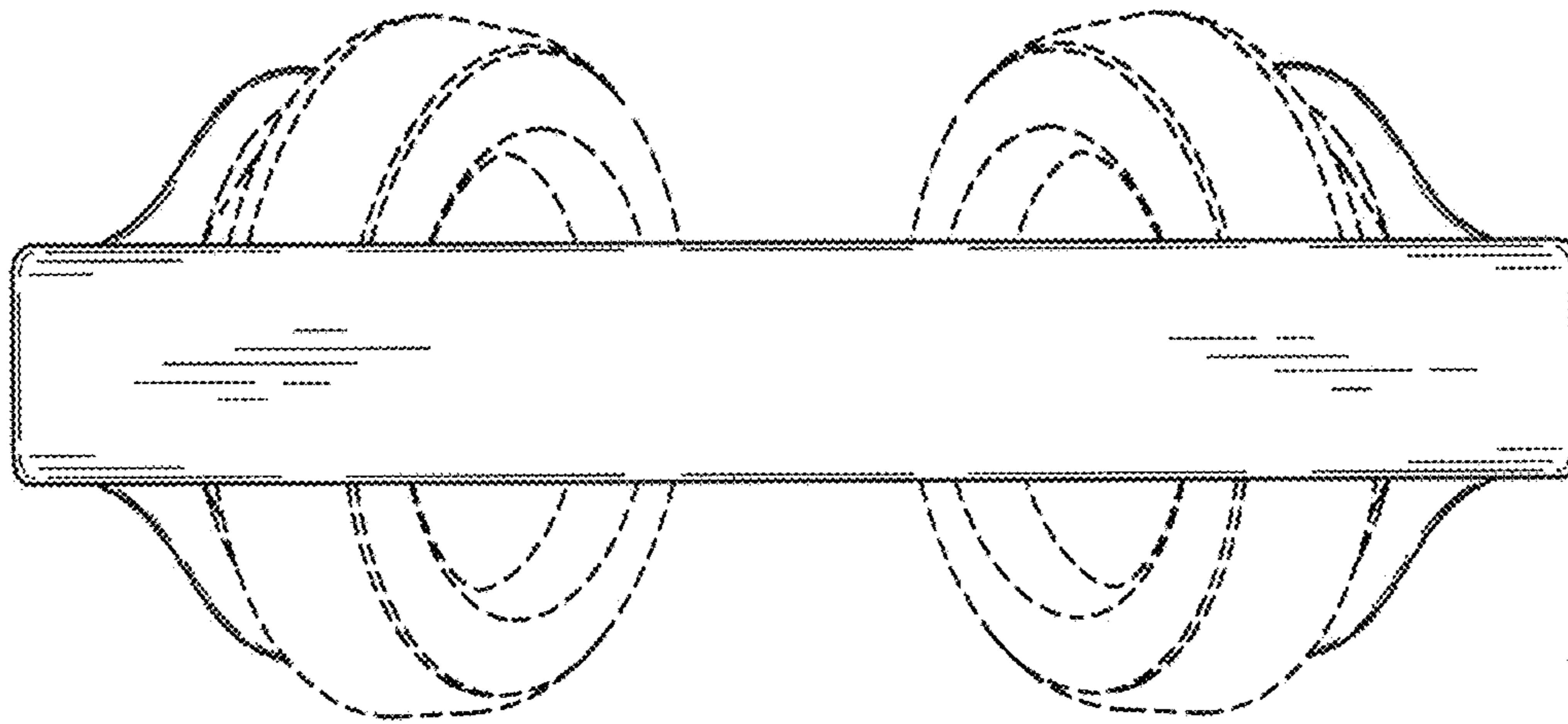


FIG. 4

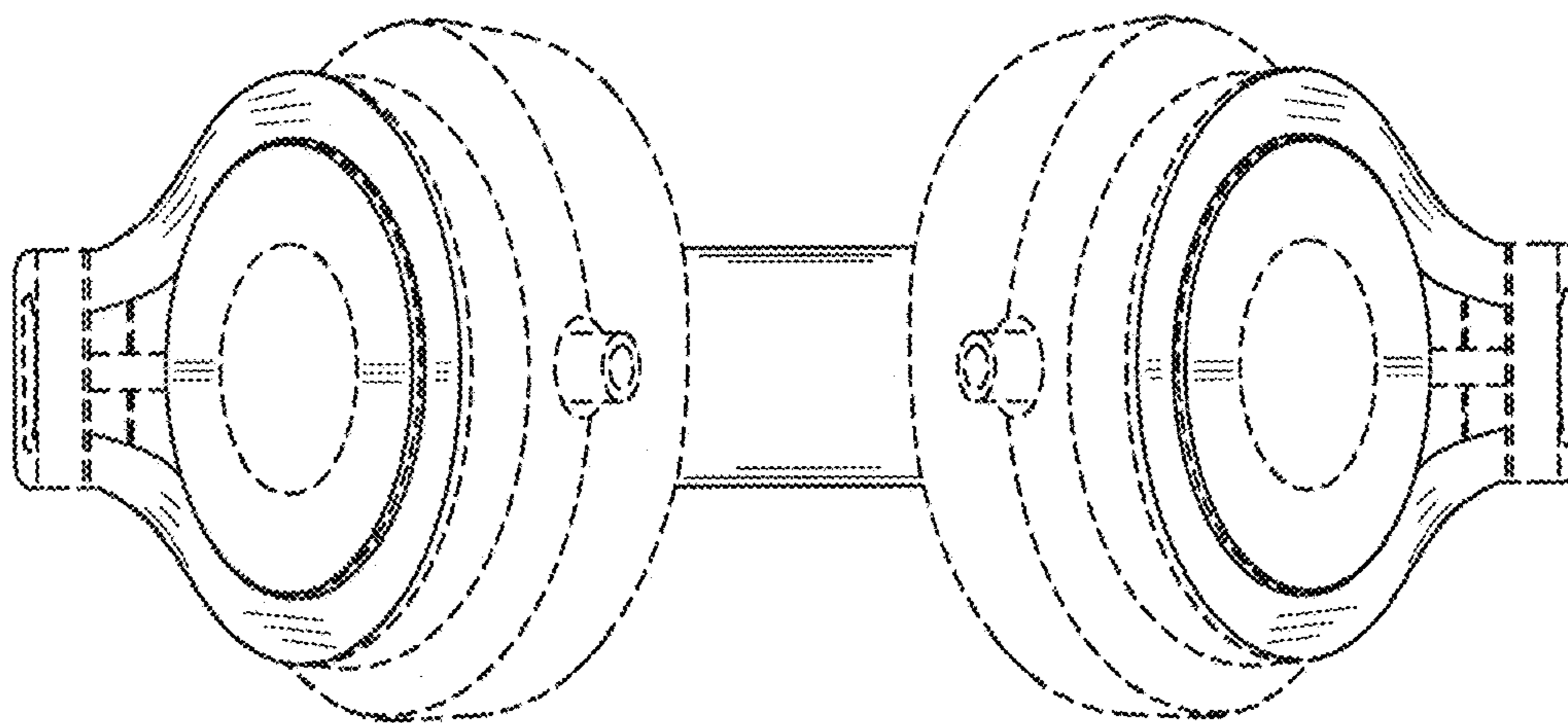


FIG. 5