



US00D729196S

(12) **United States Design Patent**
Liu

(10) **Patent No.:** **US D729,196 S**
(45) **Date of Patent:** **** May 12, 2015**

(54) **OVER-EAR HEADPHONES**

(71) Applicants: **Lite-On Electronics (Guangzhou) Limited**, Guangzhou (CN); **Lite-On Technology Corporation**, Taipei (CN)

(72) Inventor: **Liang-Yi Liu**, Taipei (TW)

(73) Assignees: **Lite-On Electronics (Guangzhou) Limited**, Guangzhou (CN); **Lite-On Technology Corporation**, Taipei (TW)

(**) Term: **14 Years**

(21) Appl. No.: **29/482,694**

(22) Filed: **Feb. 20, 2014**

(30) **Foreign Application Priority Data**

Jan. 6, 2014 (TW) 103300080

(51) **LOC (10) Cl.** **14-01**

(52) **U.S. Cl.**
USPC **D14/205**

(58) **Field of Classification Search**
CPC H04R 25/00
USPC D14/205, 188, 192; D29/112; 2/209;
181/129, 130, 135; 379/430, 431;
381/374, 380, 381; 455/90.3, 575.1
See application file for complete search history.

(56) **References Cited**

U.S. PATENT DOCUMENTS

D328,074 S *	7/1992	Yamazaki et al.	D14/205
D338,010 S *	8/1993	Yamatogi	D14/205
D385,665 S *	10/1997	Westerdal	D29/112
D386,181 S *	11/1997	Fisher	D14/205
D439,574 S *	3/2001	Katayama	D14/203.5
D444,140 S *	6/2001	Ishibashi	D14/192
D484,485 S *	12/2003	Matsuoka	D14/205
6,654,966 B2 *	12/2003	Rolla	2/209
D491,163 S *	6/2004	Green	D14/205

D504,414 S *	4/2005	Yoshida	D14/192
D538,261 S *	3/2007	Taylor et al.	D14/205
D541,255 S *	4/2007	Taylor et al.	D14/205
D549,688 S *	8/2007	Suzuki	D14/205
D557,684 S *	12/2007	Pundsack et al.	D14/205
D573,581 S *	7/2008	Gondo et al.	D14/205
D583,800 S *	12/2008	Jaakkola et al.	D14/205
D585,871 S *	2/2009	Lee	D14/205
D597,070 S *	7/2009	Zheng	D14/205
D603,370 S *	11/2009	Suzuki	D14/205
D617,770 S *	6/2010	Sanguinetti et al.	D14/205
D638,397 S *	5/2011	McManigal	D14/205
D641,725 S *	7/2011	Chong et al.	D14/205
D641,727 S *	7/2011	Krauss et al.	D14/206
D642,554 S *	8/2011	Schaal et al.	D14/205
8,098,872 B2 *	1/2012	Chang	381/371
D662,080 S *	6/2012	Carr et al.	D14/205

(Continued)

Primary Examiner — Paula Greene

(74) *Attorney, Agent, or Firm* — Li & Cai Intellectual Property (USA) Office

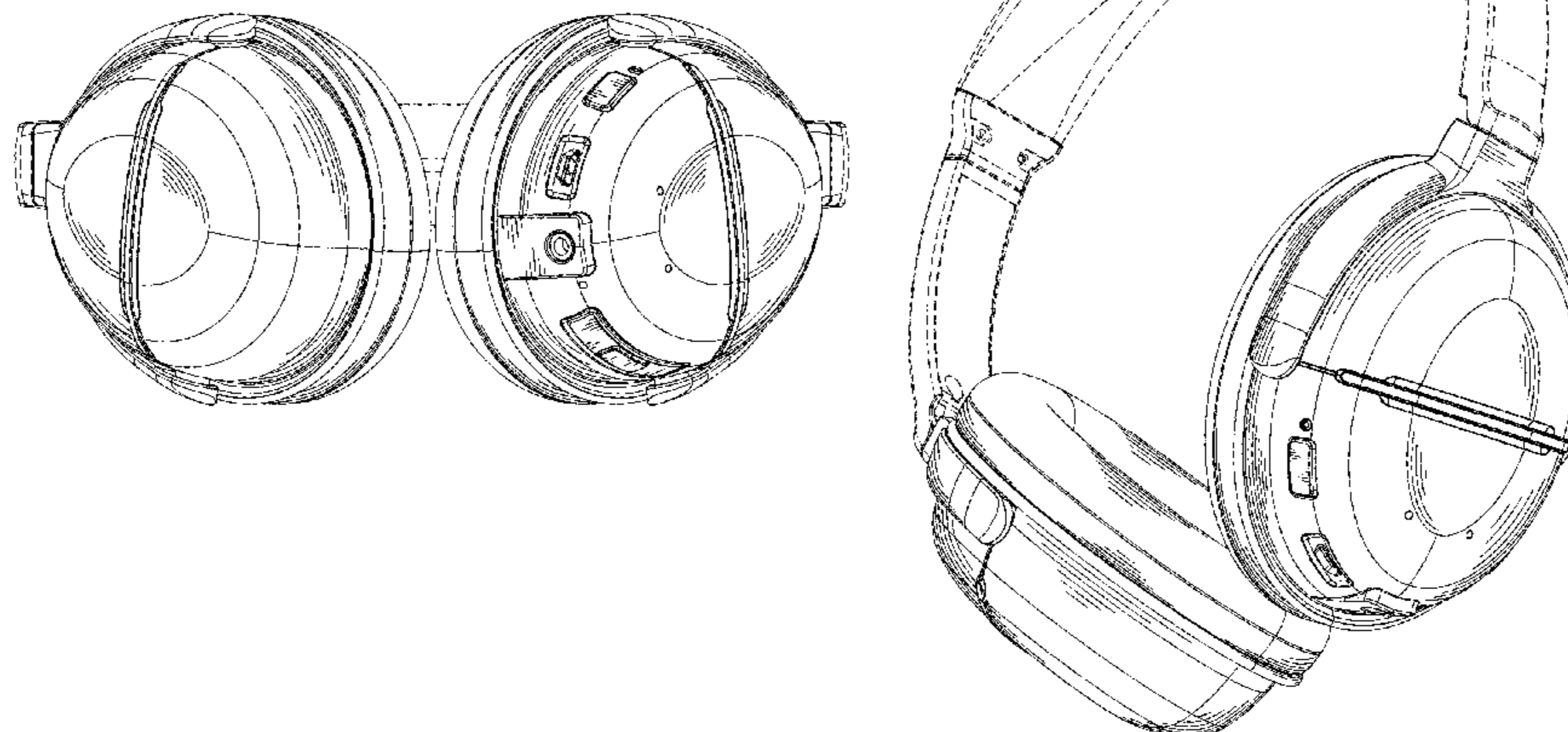
(57) **CLAIM**

The ornamental design for a “over-ear headphones,” as shown and described.

DESCRIPTION

FIG. 1 is a perspective view of an over-ear headphones showing our new design;
FIG. 2 is a front view thereof;
FIG. 3 is a rear view thereof;
FIG. 4 is a left side view thereof;
FIG. 5 is a right side view thereof;
FIG. 6 is a top view thereof;
FIG. 7 is a bottom view thereof;
FIG. 8 is a perspective view viewed from another visual angle thereof; and,
FIG. 9 is a perspective view viewed from another visual angle thereof.
The broken lines depict portions of the over-ear headphones which form no part of the claimed design.

1 Claim, 8 Drawing Sheets



US D729,196 S

Page 2

(56)

References Cited

U.S. PATENT DOCUMENTS

D665,775 S * 8/2012 Katsumata D14/205
D677,243 S * 3/2013 Kitayama et al. D14/205
D678,860 S * 3/2013 Hagelin D14/205

D710,822 S * 8/2014 Gan D14/205
D711,347 S * 8/2014 Gan D14/205
D719,136 S * 12/2014 Schaal et al. D14/206

* cited by examiner

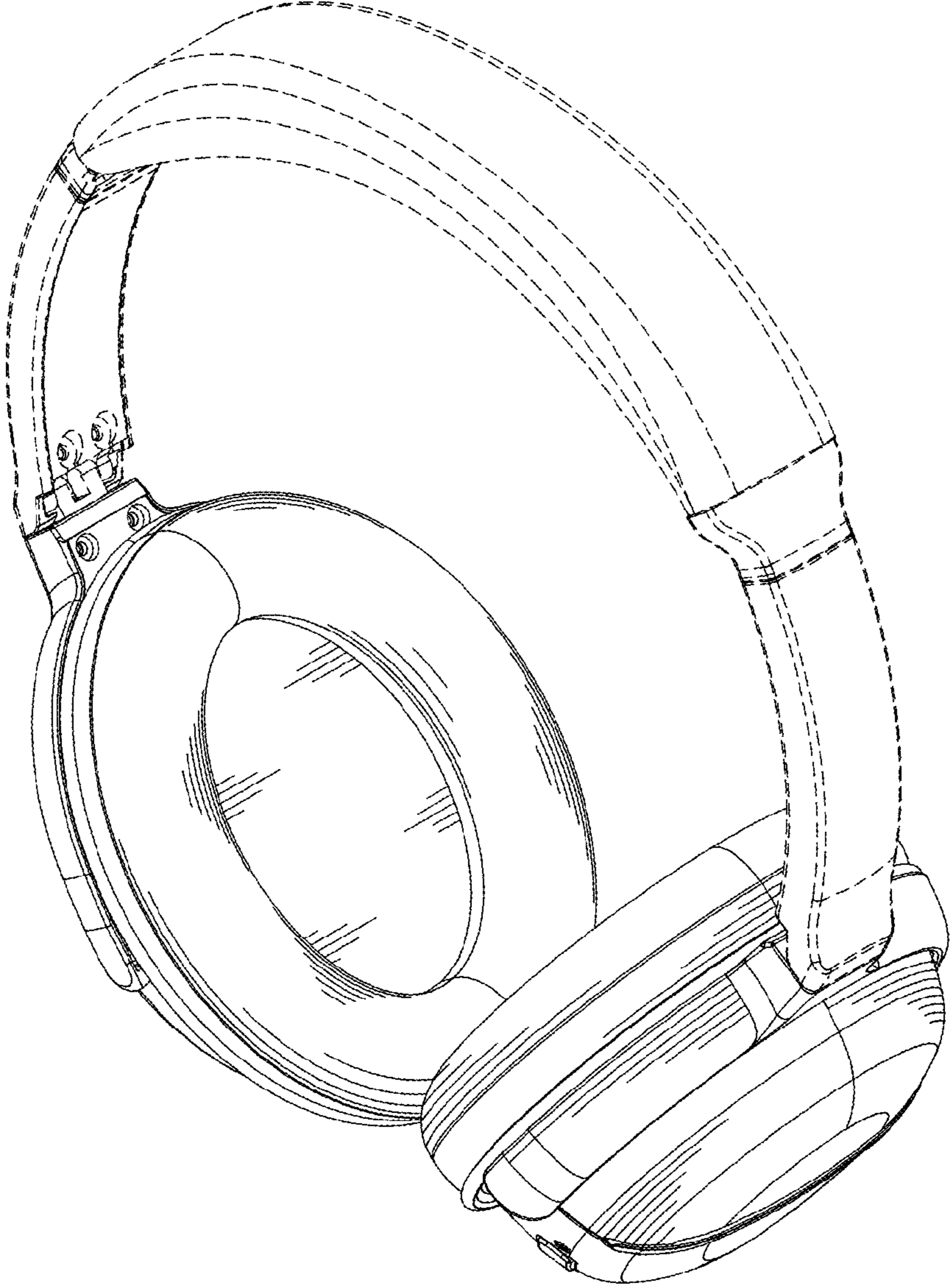


FIG.1

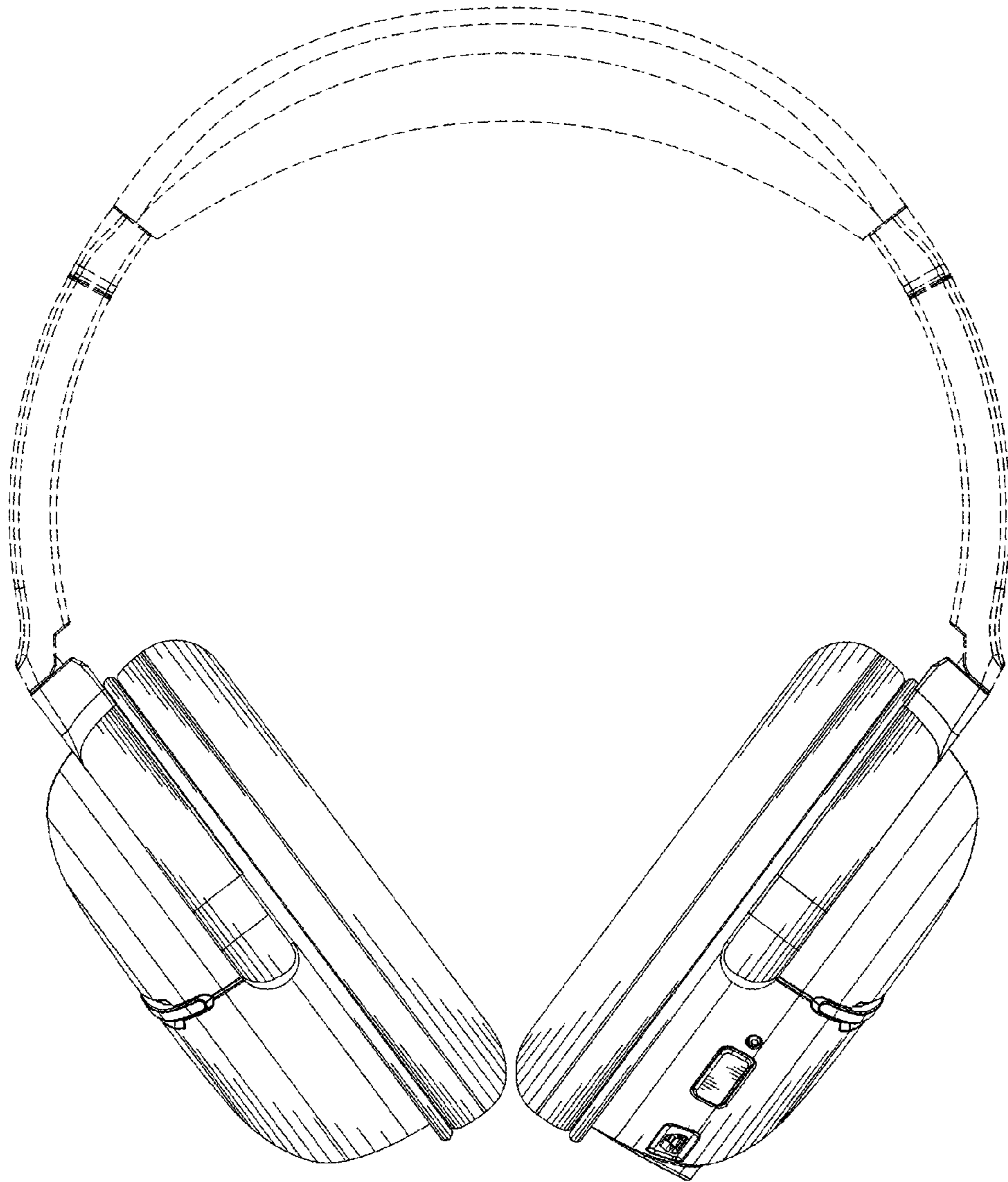


FIG. 2



FIG.3

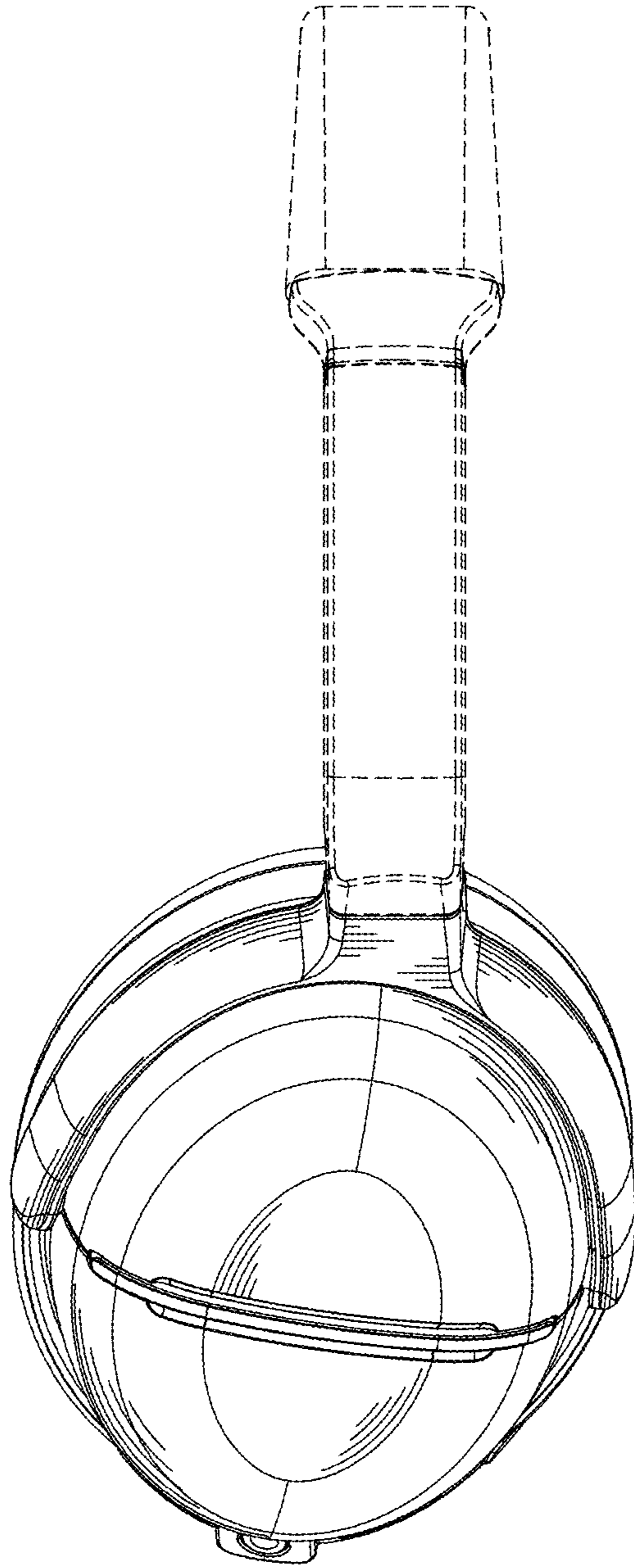


FIG.4

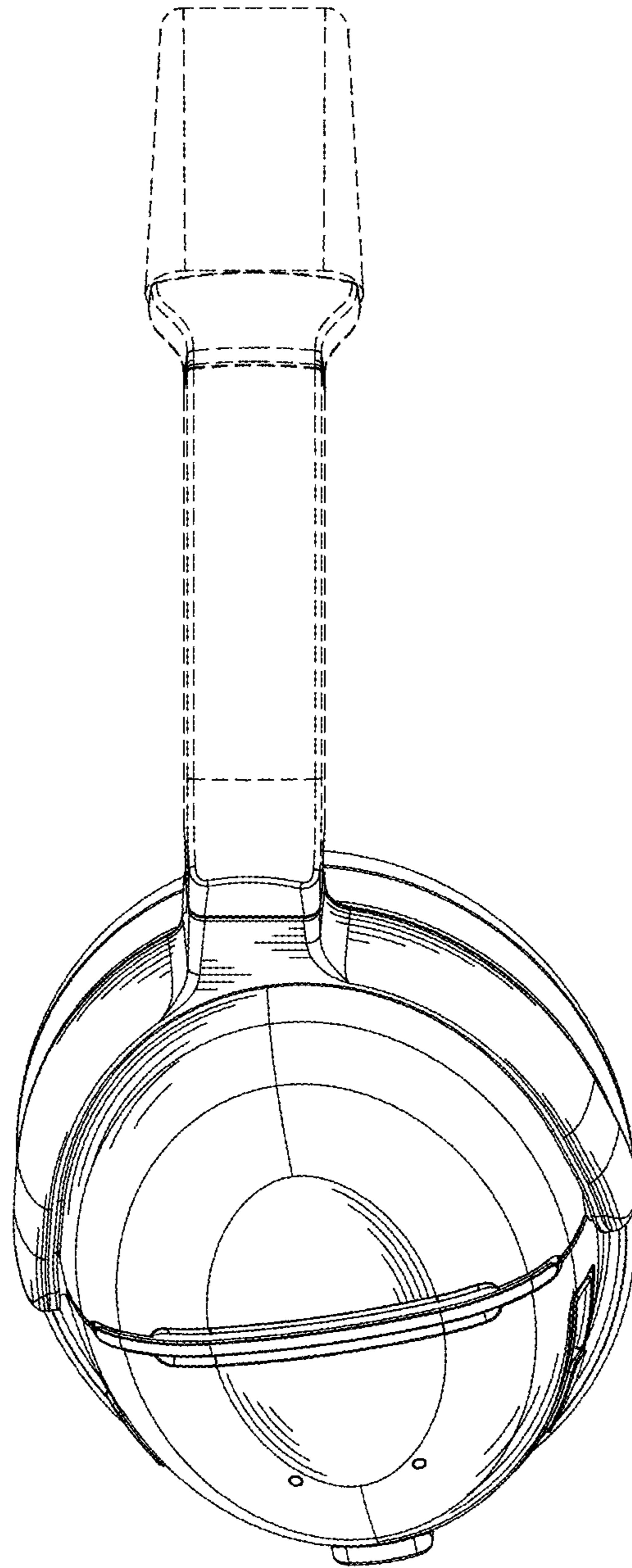


FIG.5

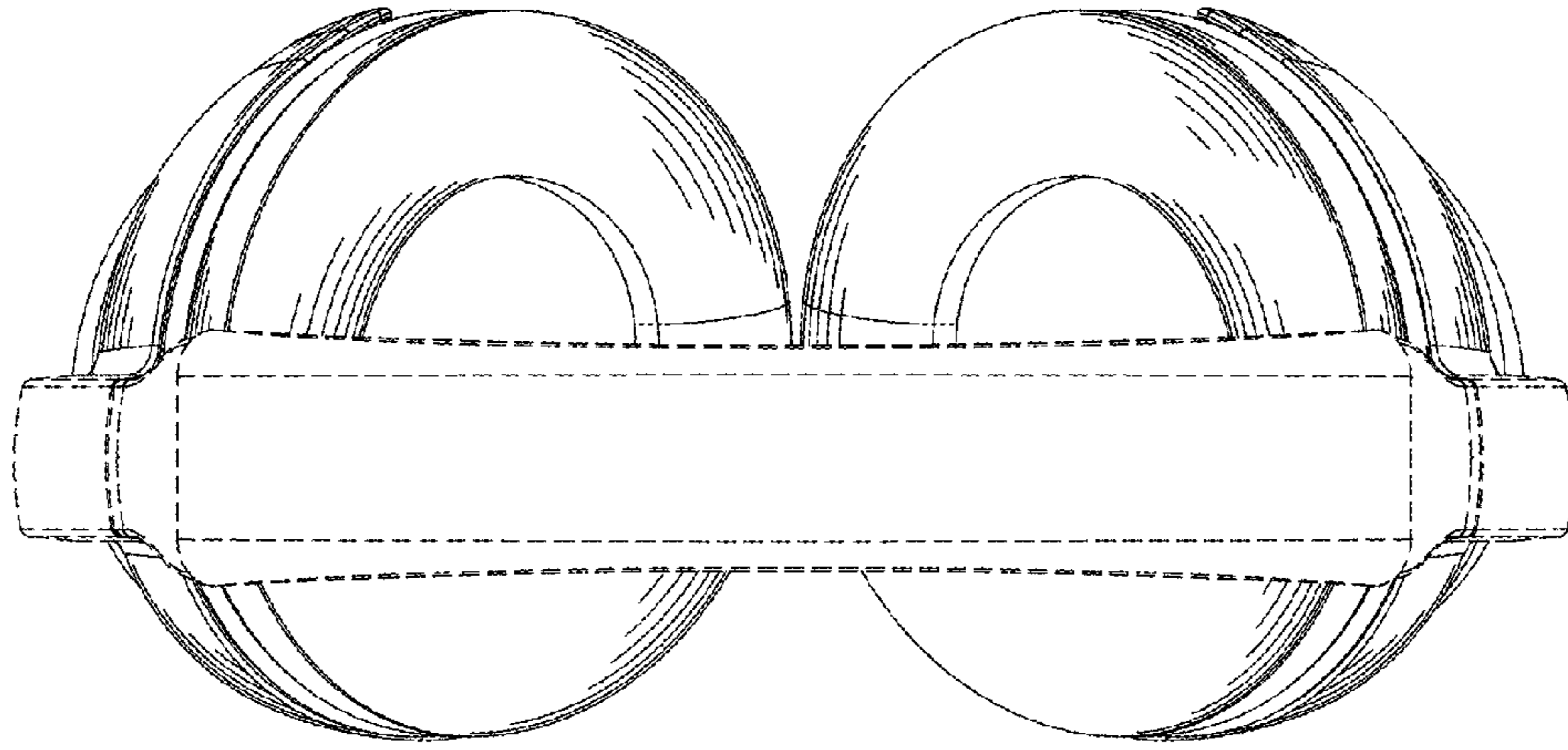


FIG. 6

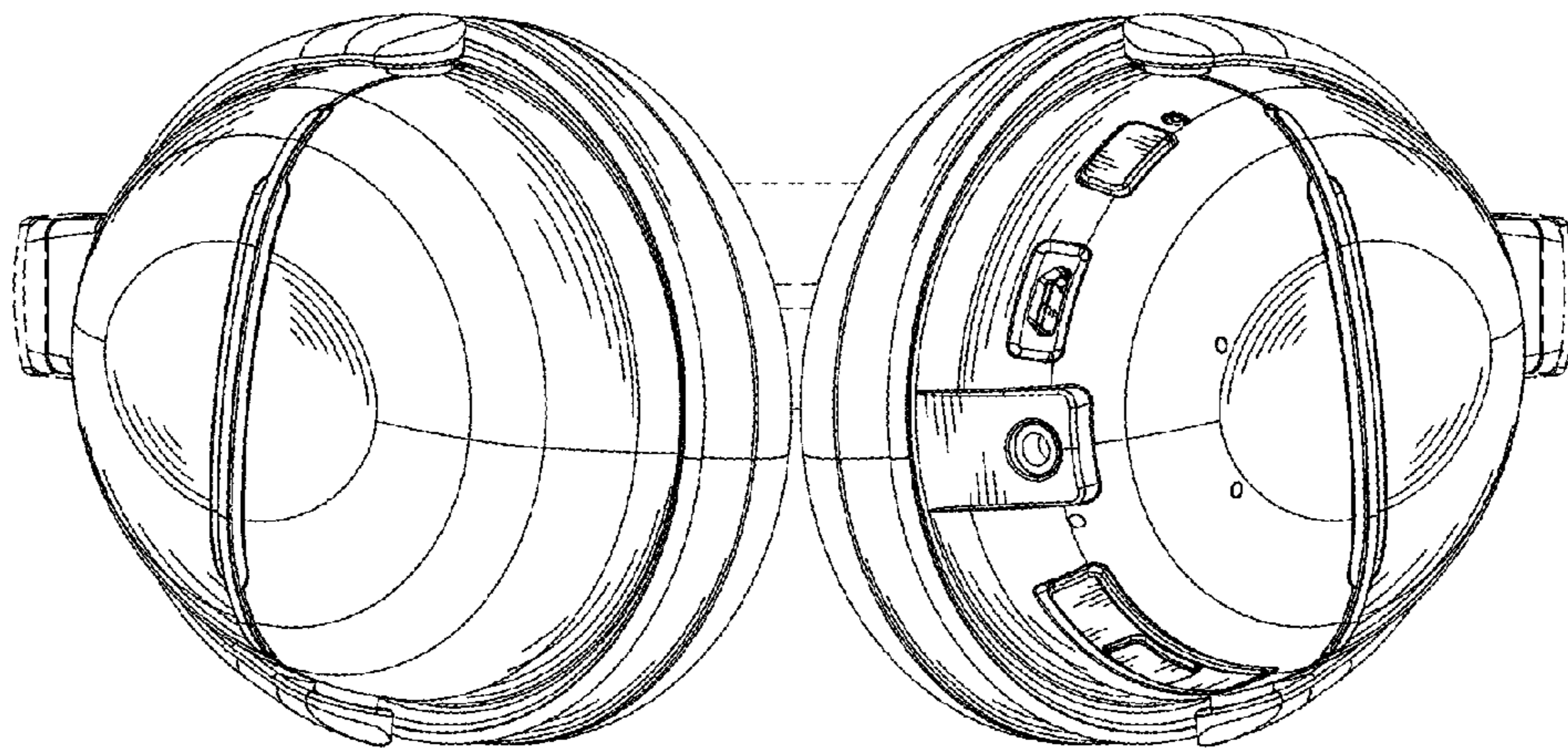


FIG. 7

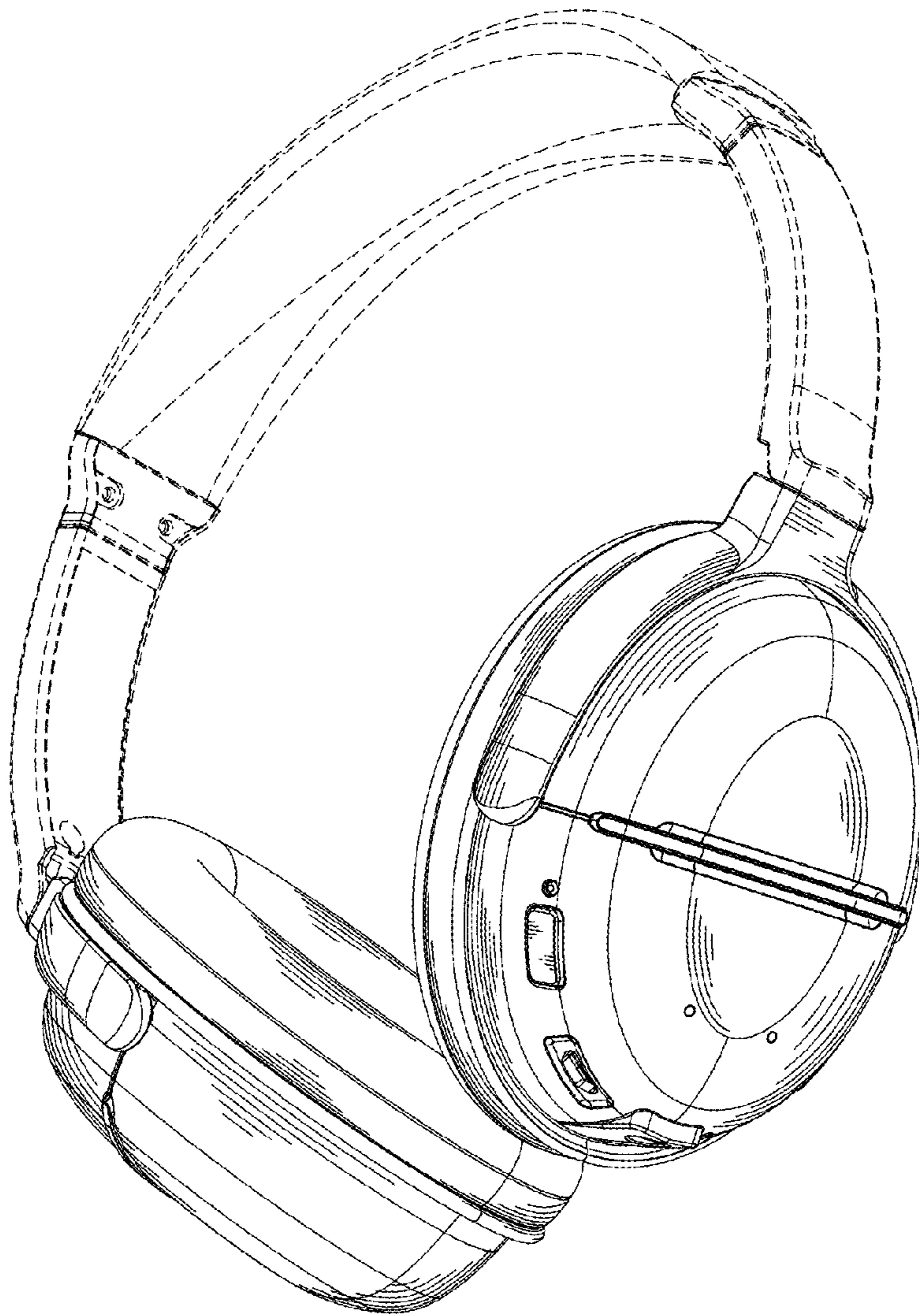


FIG.8

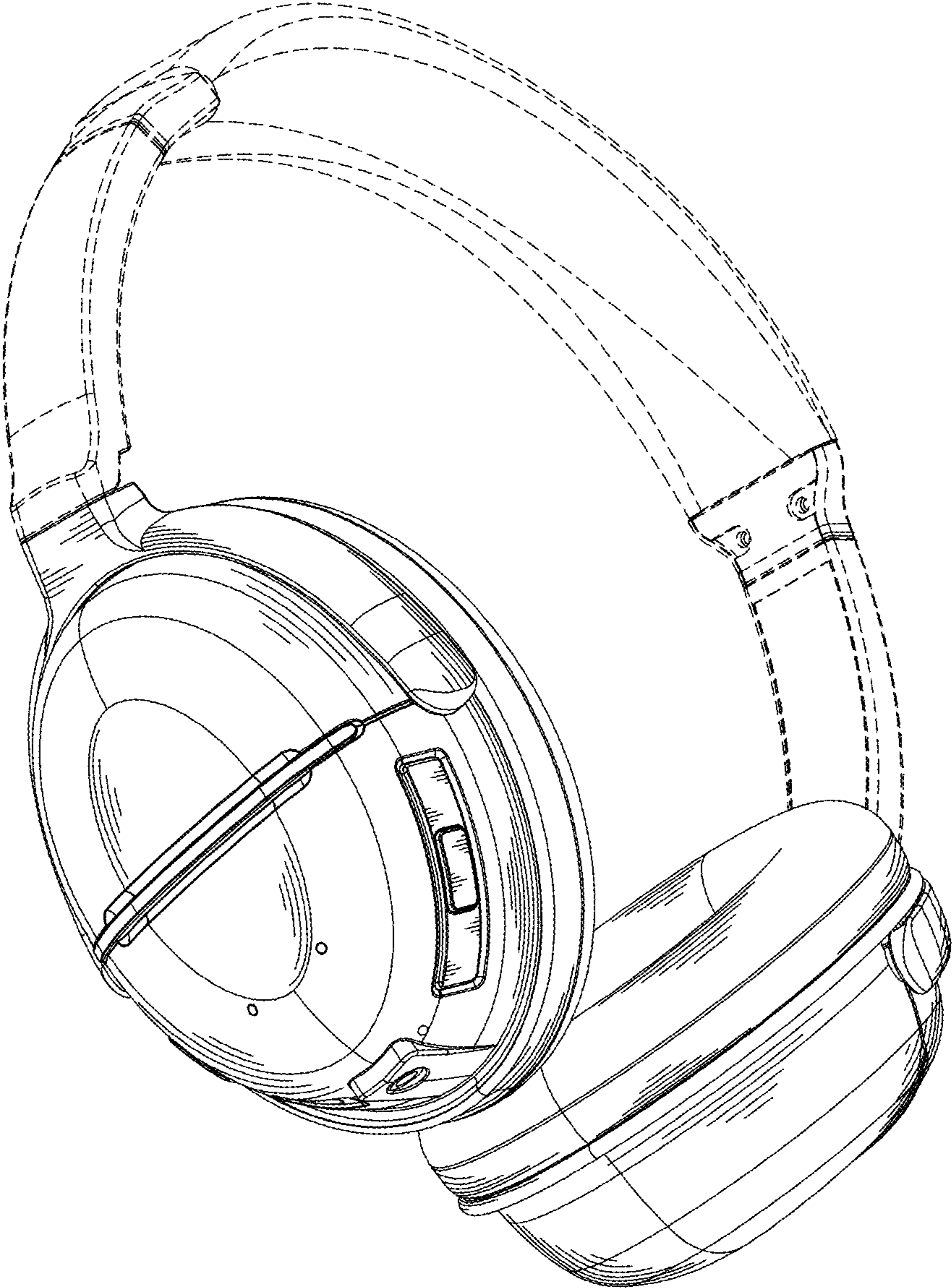


FIG.9