



US00D729195S

(12) **United States Design Patent**
Enquist

(10) **Patent No.:** **US D729,195 S**
(45) **Date of Patent:** **** May 12, 2015**

(54) **PARTS OF MARSHALL MONITOR HEADPHONE**

(71) Applicant: **Zound Industries International AB,**
Stockholm (SE)

(72) Inventor: **Andreas Enquist,** Hägersten (SE)

(73) Assignee: **Zound Industries International AB,**
Stockholm (SE)

(**) Term: **14 Years**

(21) Appl. No.: **29/482,313**

(22) Filed: **Feb. 17, 2014**

Related U.S. Application Data

(62) Division of application No. 29/455,509, filed on May 21, 2013, now Pat. No. Des. 709,050.

(30) **Foreign Application Priority Data**

Nov. 21, 2012 (EM) 002140053-0002
Nov. 21, 2012 (EM) 002140053-0003

(51) **LOC (10) Cl.** **14-01**

(52) **U.S. Cl.**
USPC **D14/205**

(58) **Field of Classification Search**
CPC H04R 25/00
USPC D14/205, 206, 192; D29/112; 181/129,
181/130, 131; 2/209; 379/430, 431;
381/371, 374, 380, 381; 455/90.3,
455/575.1

See application file for complete search history.

(56) **References Cited**

U.S. PATENT DOCUMENTS

2,459,325 A 1/1949 Knowles
2,883,671 A 4/1959 Hornickel

3,220,505 A 11/1965 Hargrave
3,798,393 A 3/1974 Gorike
3,864,756 A * 2/1975 Desimone 2/423
4,133,053 A * 1/1979 Lundin 2/209
4,409,442 A * 10/1983 Kamimura 381/383
D301,145 S 5/1989 Besasie et al.
D302,429 S * 7/1989 Leer D14/137
4,944,361 A 7/1990 Lindgren et al.
5,113,428 A * 5/1992 Fitzgerald 455/575.2
D337,115 S * 7/1993 Yamazaki et al. D14/205
D386,181 S * 11/1997 Fisher D14/205
5,721,775 A * 2/1998 Leifer 379/430
D398,309 S * 9/1998 Bergin et al. D14/206
5,996,123 A 12/1999 Leight et al.
6,353,938 B1 3/2002 Young
D464,469 S * 10/2002 Dix et al. D29/112
D467,895 S 12/2002 Hirano
D491,163 S 6/2004 Green
6,754,361 B1 * 6/2004 Hall et al. 381/370
6,904,147 B2 * 6/2005 Lenz et al. 379/430
D508,483 S 8/2005 Suzuki
D541,255 S * 4/2007 Taylor et al. D14/205
D563,382 S * 3/2008 Wikel D14/205
7,388,960 B2 6/2008 Kuo et al.

(Continued)

Primary Examiner — Paula Greene

(74) *Attorney, Agent, or Firm* — Capitol City TechLaw

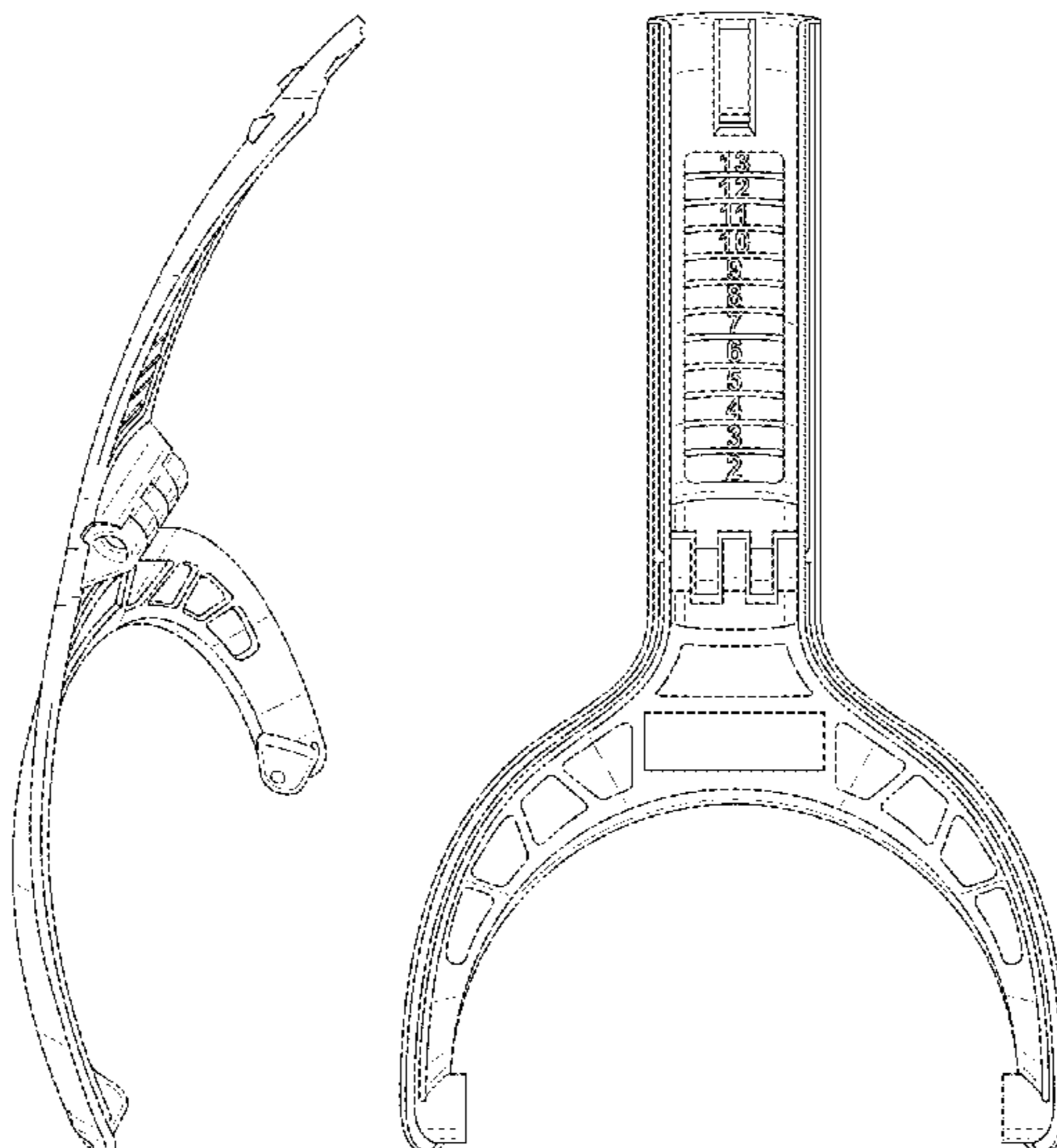
(57) **CLAIM**

The ornamental design for parts of marshall monitor head-
phone, as shown and described.

DESCRIPTION

FIG. 1 is a front, top, and left side perspective view of parts of marshall monitor headphone showing my new design;
FIG. 2 is a front view thereof;
FIG. 3 is a rear view thereof;
FIG. 4 is a left side view thereof;
FIG. 5 is a right side view thereof;
FIG. 6 is a top view thereof; and,
FIG. 7 is a bottom view thereof.

1 Claim, 5 Drawing Sheets



(56)

References Cited

U.S. PATENT DOCUMENTS

D598,898 S	8/2009	Davidson	
D616,419 S	5/2010	Suwalski et al.	
7,766,120 B2	8/2010	Hansson et al.	
D635,958 S *	4/2011	Ando et al.	D14/205
D642,554 S	8/2011	Schaal et al.	
8,098,872 B2	1/2012	Chang	
8,213,644 B2	7/2012	Choi	
D665,775 S	8/2012	Katsumata	
D668,632 S *	10/2012	Enquist	D14/205
D668,633 S *	10/2012	Enquist	D14/205
D677,243 S	3/2013	Kitayama et al.	
D684,140 S *	6/2013	Enquist et al.	D14/205
D690,284 S	9/2013	Brennwald	
D705,750 S *	5/2014	Wu et al.	D14/205
D709,050 S *	7/2014	Enquist	D14/205
8,818,011 B2 *	8/2014	Chen	381/379
2004/0125977 A1	7/2004	Hong et al.	
2005/0213774 A1	9/2005	Kleinschmidt et al.	
2006/0104471 A1	5/2006	Tsunoda et al.	
2006/0204027 A1	9/2006	Sung et al.	
2007/0223766 A1 *	9/2007	Davis et al.	381/379
2008/0247588 A1	10/2008	Yang	

* cited by examiner

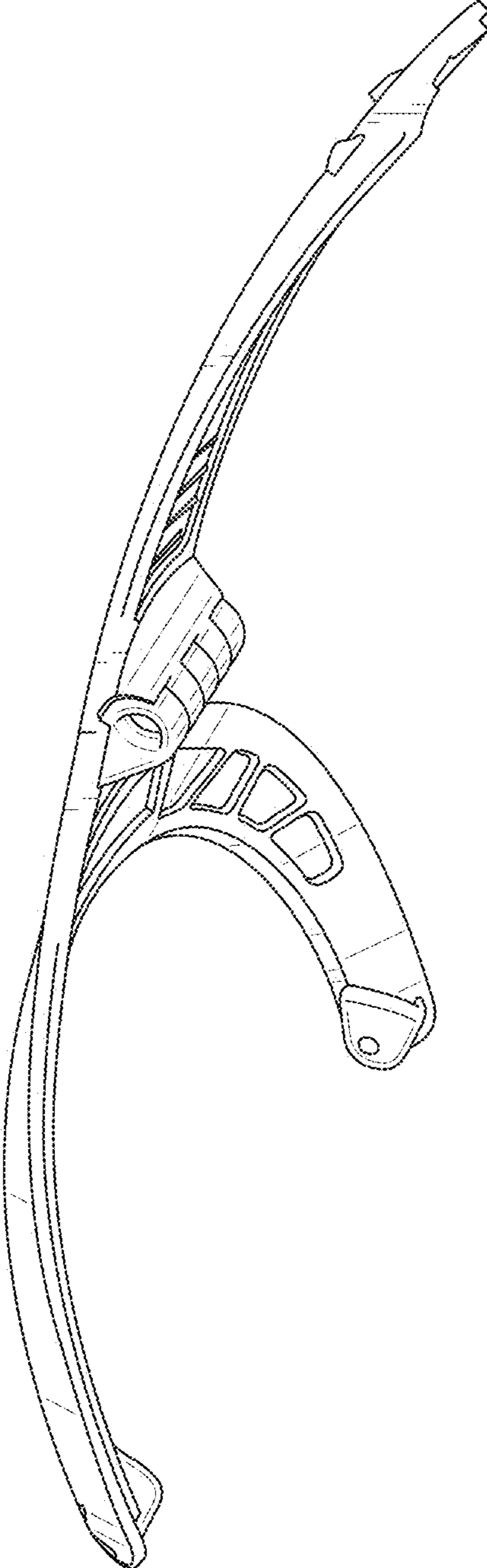


FIG. 1

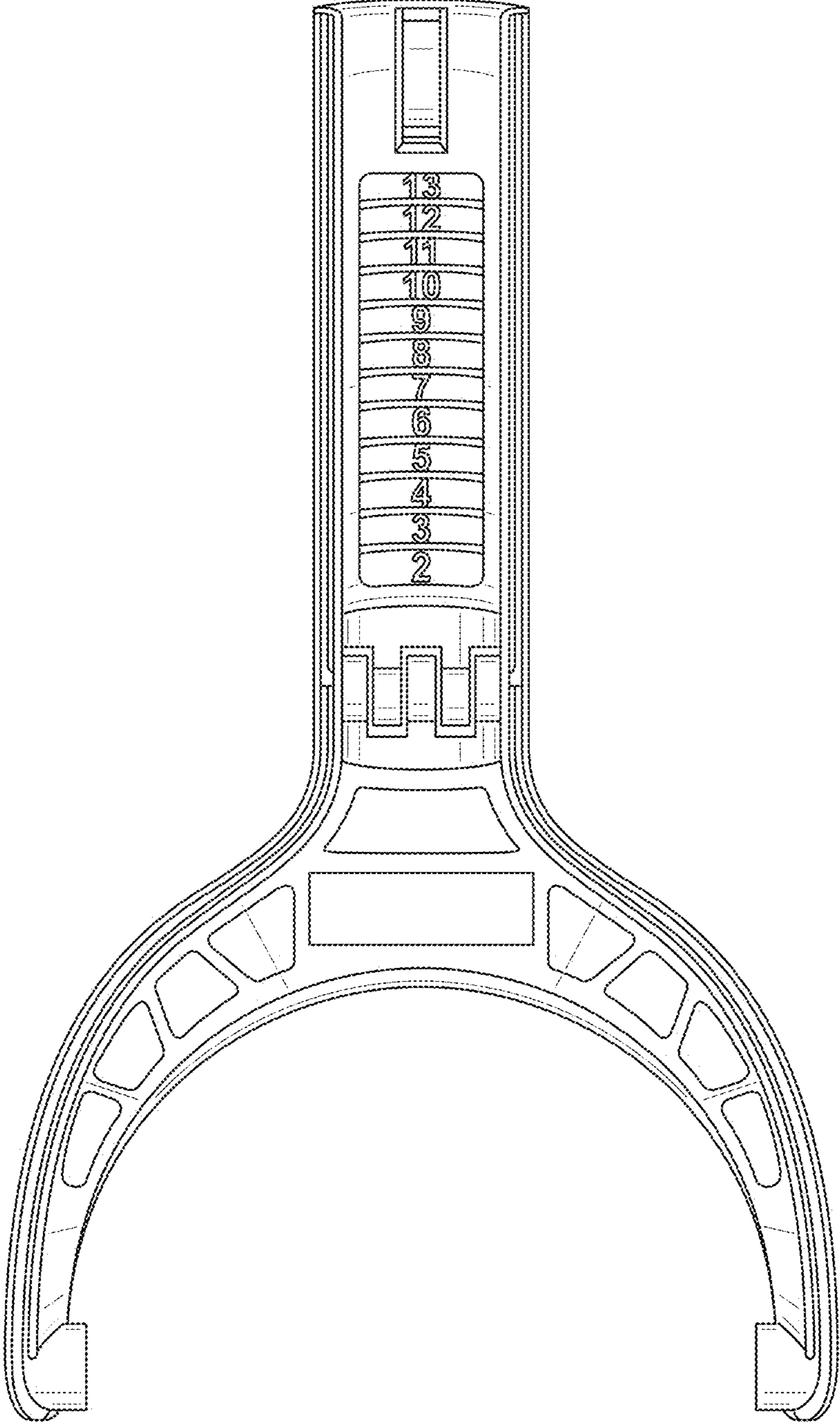


FIG. 2

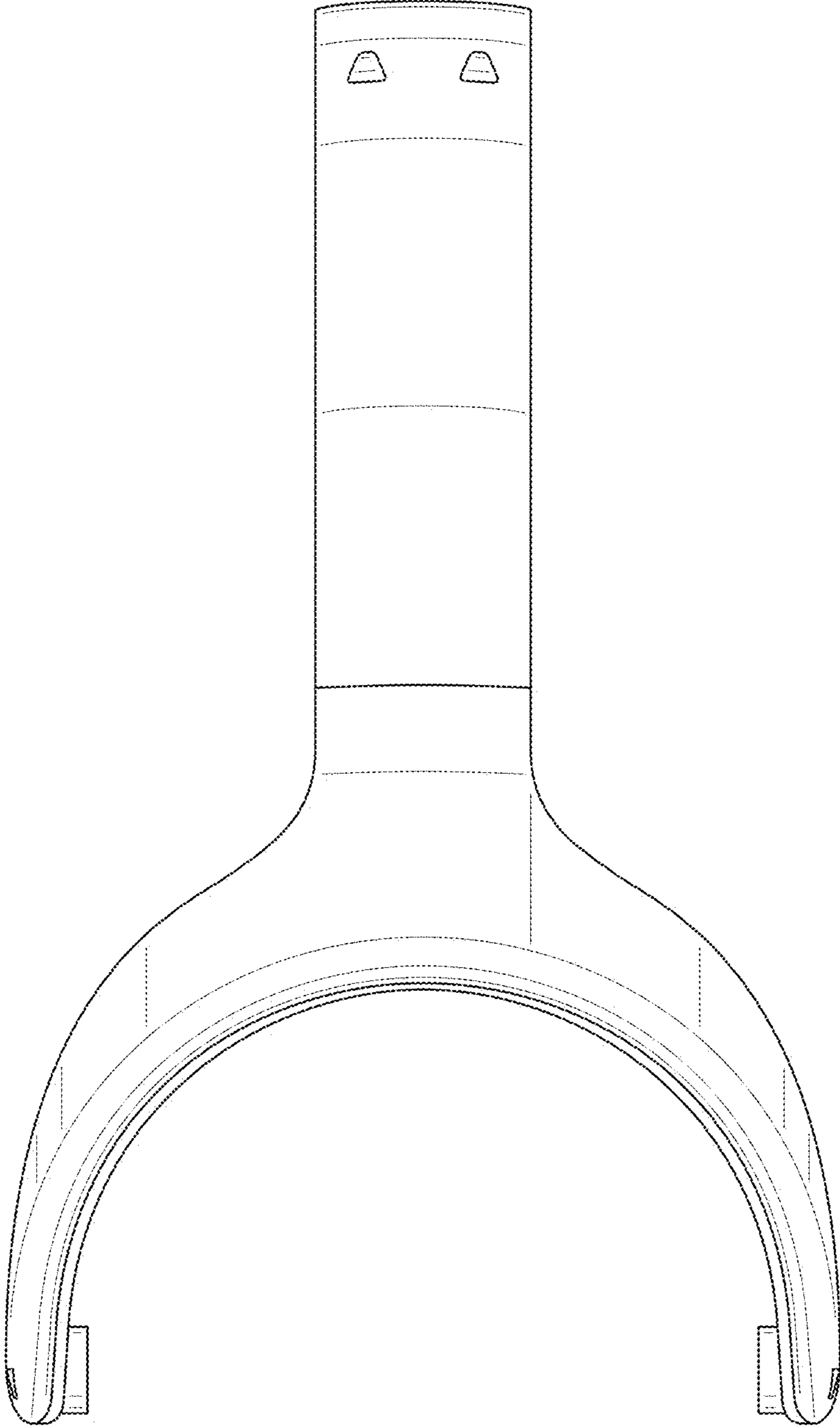


FIG. 3

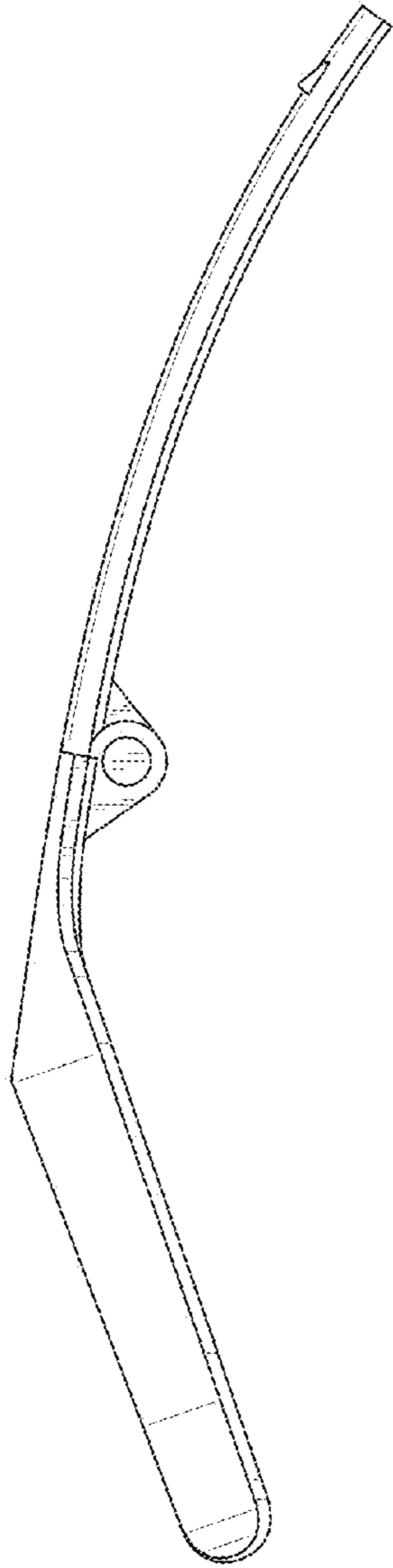


FIG. 4

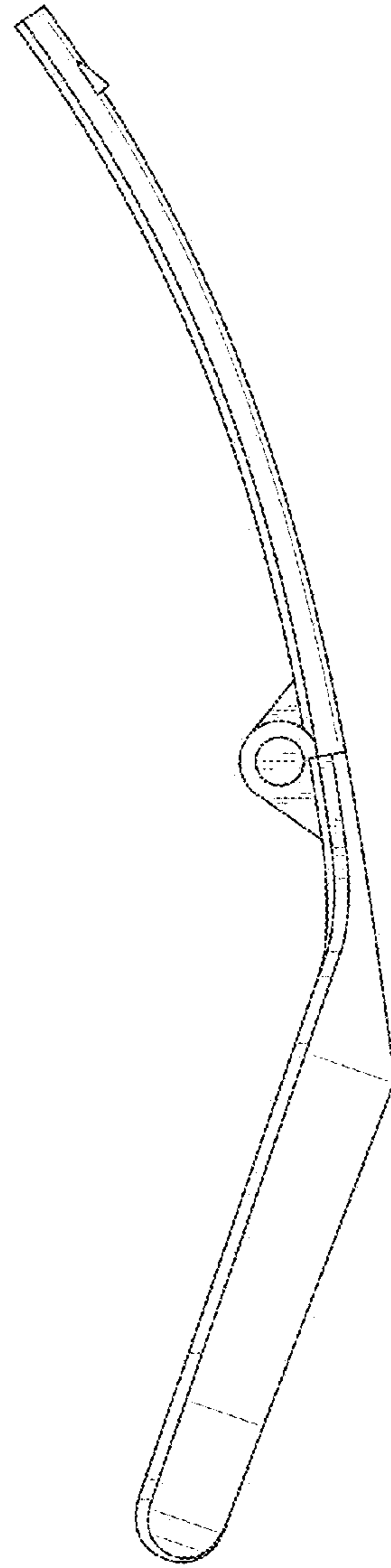


FIG. 5

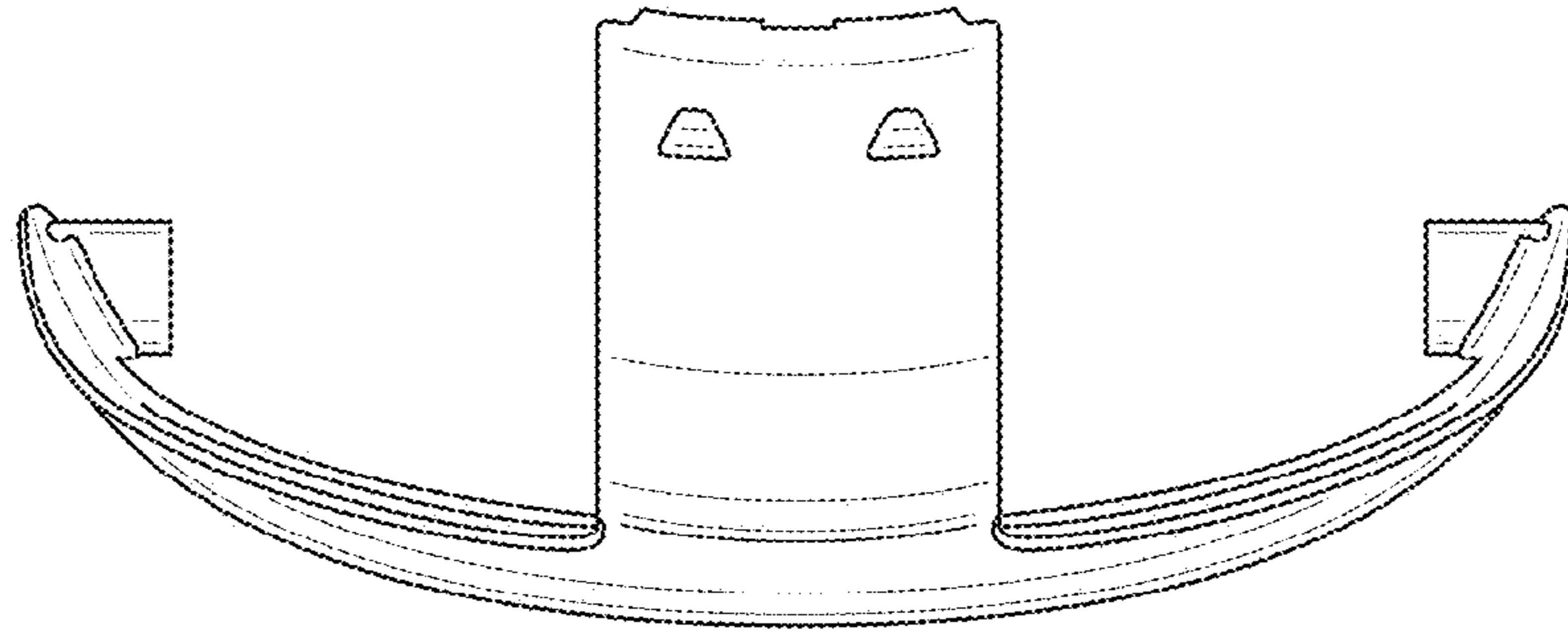


FIG. 6

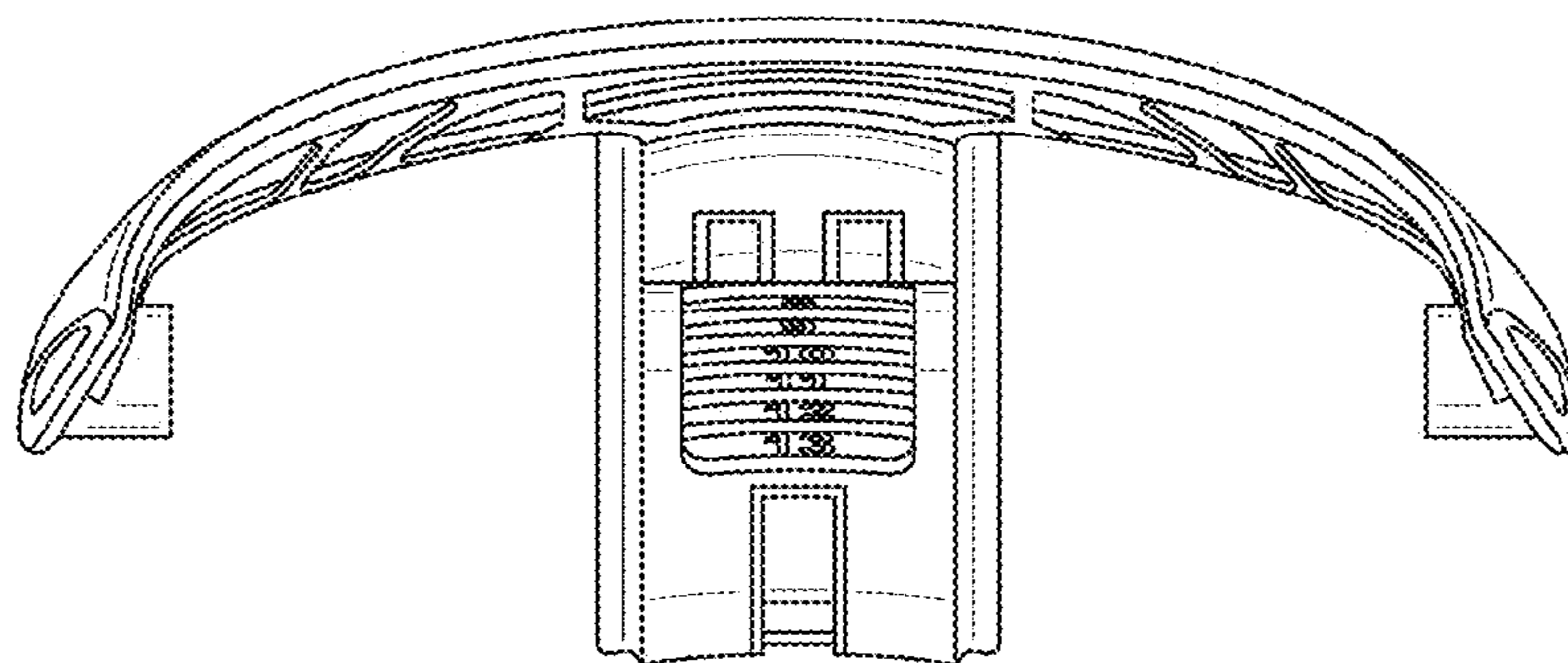


FIG. 7