



US00D729194S

(12) **United States Design Patent**
Boeckel et al.

(10) **Patent No.:** **US D729,194 S**
(45) **Date of Patent:** **** May 12, 2015**

(54) **HEADPHONE**

(71) Applicant: **Koninklijke Philips N.V.**, Eindhoven (NL)

(72) Inventors: **Peter Adam Boeckel**, Hong Kong (CN);
Billy Liu, Hong Kong (CN)

(73) Assignee: **Koninklijke Philips N.V.**, Eindhoven (NL)

(**) Term: **14 Years**

(21) Appl. No.: **29/481,912**

(22) Filed: **Feb. 12, 2014**

(30) **Foreign Application Priority Data**

Aug. 13, 2013 (EM) 002291070-0002

(51) **LOC (10) Cl.** **14-01**

(52) **U.S. Cl.**
USPC **D14/205**

(58) **Field of Classification Search**
CPC H04R 1/1066
USPC D14/205; D29/112; 2/209; 181/129,
181/130, 135; 379/430, 431; 381/380, 381,
381/374, 379; 455/90.3, 575.1
See application file for complete search history.

(56) **References Cited**

U.S. PATENT DOCUMENTS

4,634,816 A * 1/1987 O'Malley et al. 379/430
5,018,599 A * 5/1991 Dohi et al. 181/129
D317,767 S * 6/1991 Banks D14/205
5,068,923 A * 12/1991 Sjoqvist 2/209
D353,818 S * 12/1994 Nakamura D14/205
5,406,037 A * 4/1995 Nageno et al. 181/129
5,574,795 A * 11/1996 Seki 381/370
D377,021 S * 12/1996 Isono D14/205

D377,174 S * 1/1997 Runquist D14/206
5,862,241 A * 1/1999 Nelson 381/379
D410,466 S * 6/1999 Mouri D14/205
D420,356 S * 2/2000 Suzuki D14/205
D457,512 S * 5/2002 Yoneda D14/205
D484,868 S * 1/2004 Suzuki D14/205
6,993,143 B2 * 1/2006 Harris et al. 381/379
D517,526 S * 3/2006 Komiyama D14/205
D532,407 S * 11/2006 Motoishi D14/205
D541,255 S * 4/2007 Taylor et al. D14/205
D573,581 S * 7/2008 Gondo et al. D14/205
D581,394 S * 11/2008 Lee D14/205
D594,847 S * 6/2009 Suzuki D14/205
D639,776 S * 6/2011 Arimoto D14/205
D642,554 S * 8/2011 Schaal et al. D14/205
8,098,872 B2 * 1/2012 Chang 381/371
D665,775 S * 8/2012 Katsumata D14/205
D666,990 S * 9/2012 Komiyama et al. D14/205

(Continued)

Primary Examiner — Paula Greene

(74) *Attorney, Agent, or Firm* — Venable LLP; Steven J. Schwarz

(57) **CLAIM**

The ornamental design for headphone, as shown and described.

DESCRIPTION

FIG. 1 is a perspective view of a headphone according to an embodiment of the claimed design;
FIG. 2 is a front elevational view of the headphone of FIG. 1;
FIG. 3 is a rear elevational view of the headphone of FIG. 1;
FIG. 4 is a left elevational view of the headphone of FIG. 1;
FIG. 5 is a right elevational view of the headphone of FIG. 1;
FIG. 6 is a top elevational view of the headphone of FIG. 1;
and,
FIG. 7 is a bottom elevational view of the headphone of FIG. 1.
The features shown in broken lines are environment only and not part of the claimed design.

1 Claim, 5 Drawing Sheets



(56)

References Cited

U.S. PATENT DOCUMENTS

D669,450 S *	10/2012	Katsumata	D14/205	D701,193 S *	3/2014	Kelly et al.	D14/205
D677,243 S *	3/2013	Kitayama et al.	D14/205	D704,101 S *	5/2014	Beaven	D12/92
D683,717 S *	6/2013	Kelly et al.	D14/205	D704,162 S *	5/2014	Davies et al.	D14/205
D686,190 S *	7/2013	Karacal et al.	D14/205	D706,240 S *	6/2014	Szymanski et al.	D14/205
D697,047 S *	1/2014	Yoshida	D14/205	D706,241 S *	6/2014	Szymanski et al.	D14/205
				8,755,555 B2 *	6/2014	Dougherty et al.	381/378
				D708,163 S *	7/2014	Ishikura	D14/205
				8,774,441 B2 *	7/2014	Miyazawa	381/367

* cited by examiner

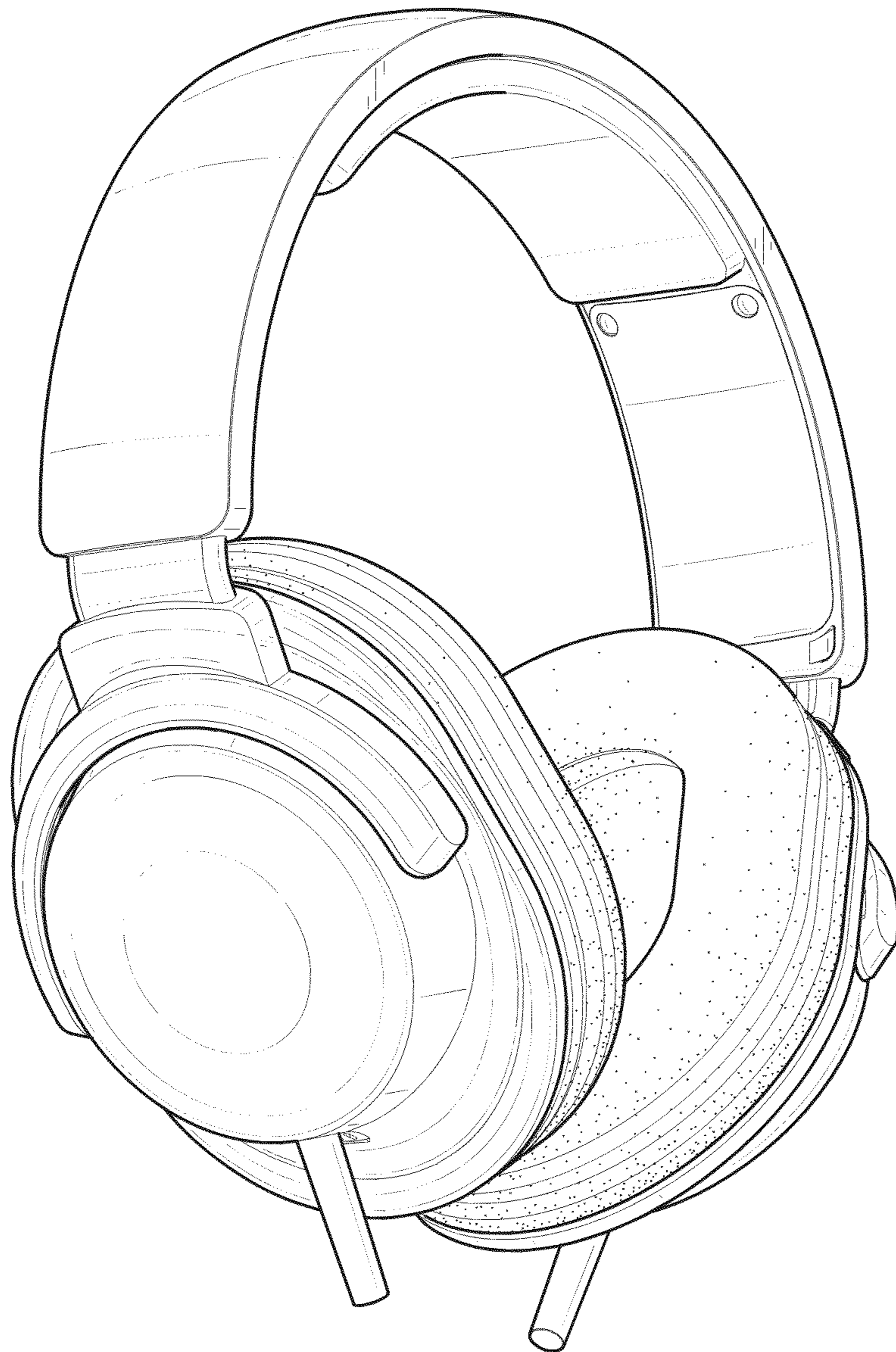


FIG. 1



FIG. 2



FIG. 3

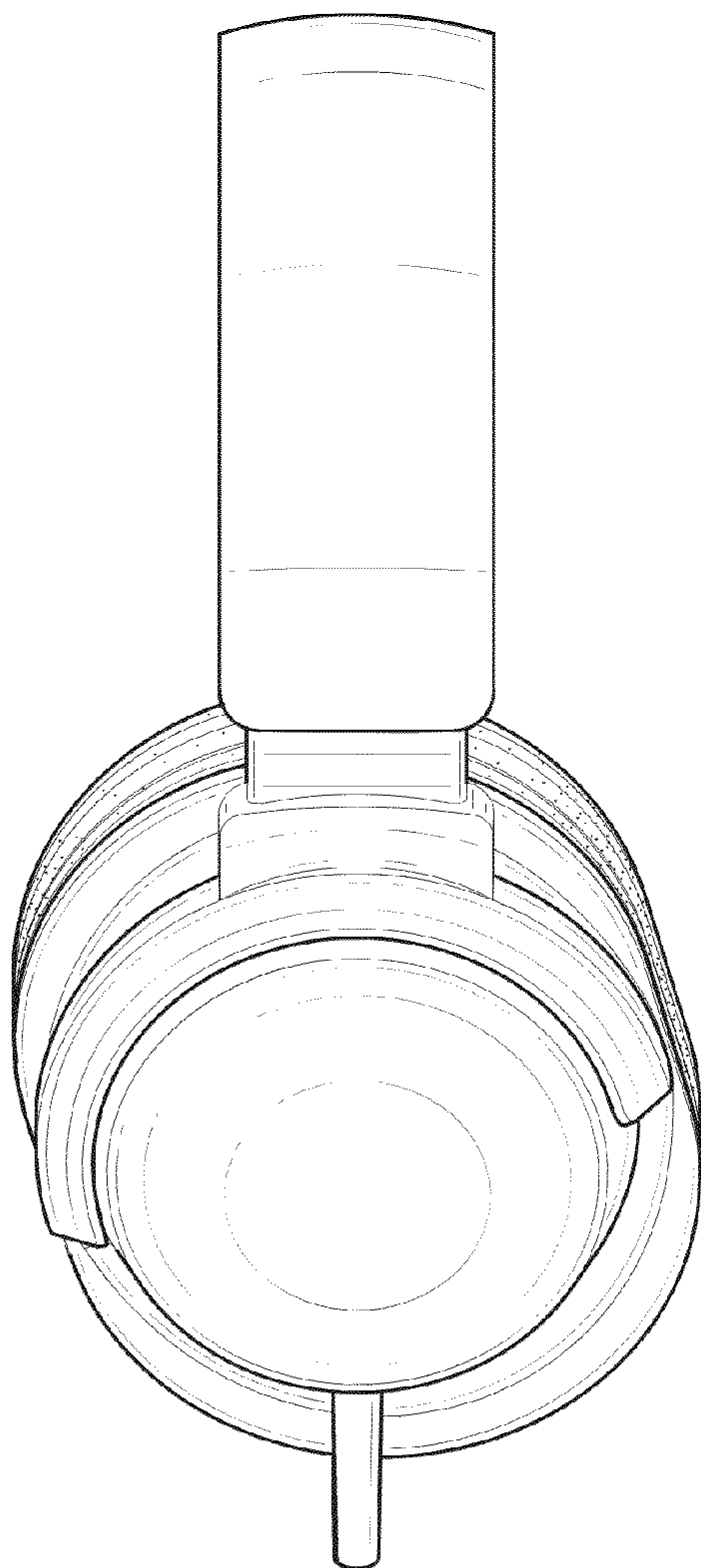


FIG. 4

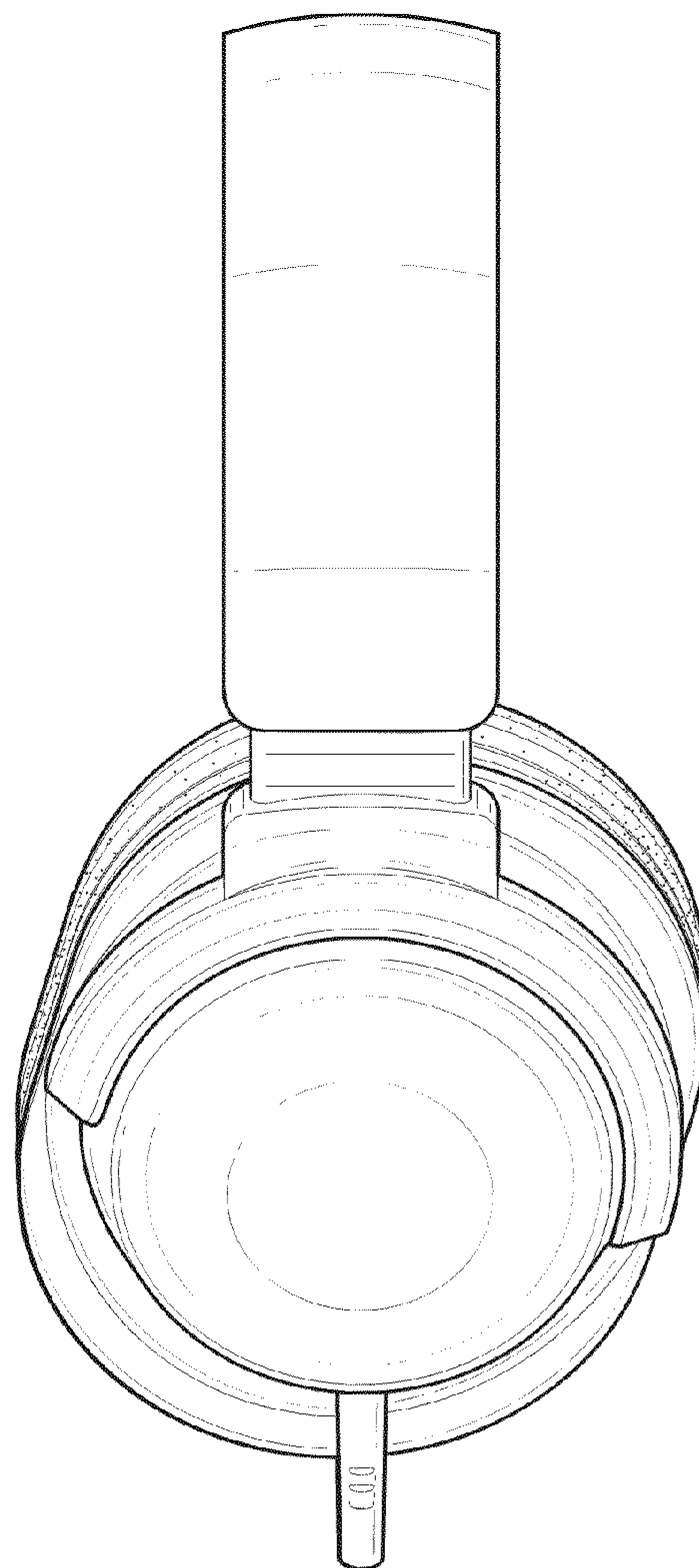


FIG. 5

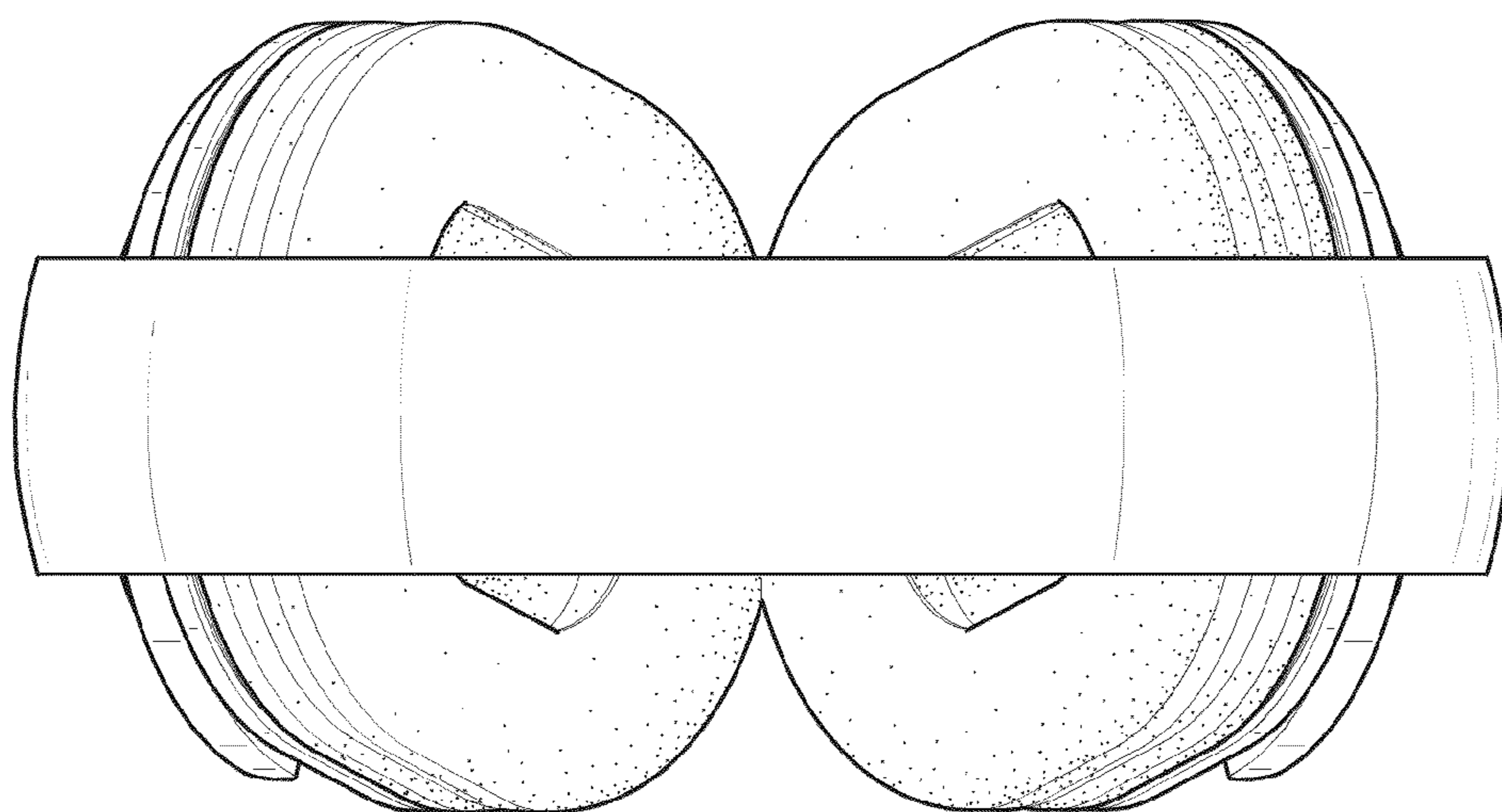


FIG. 6

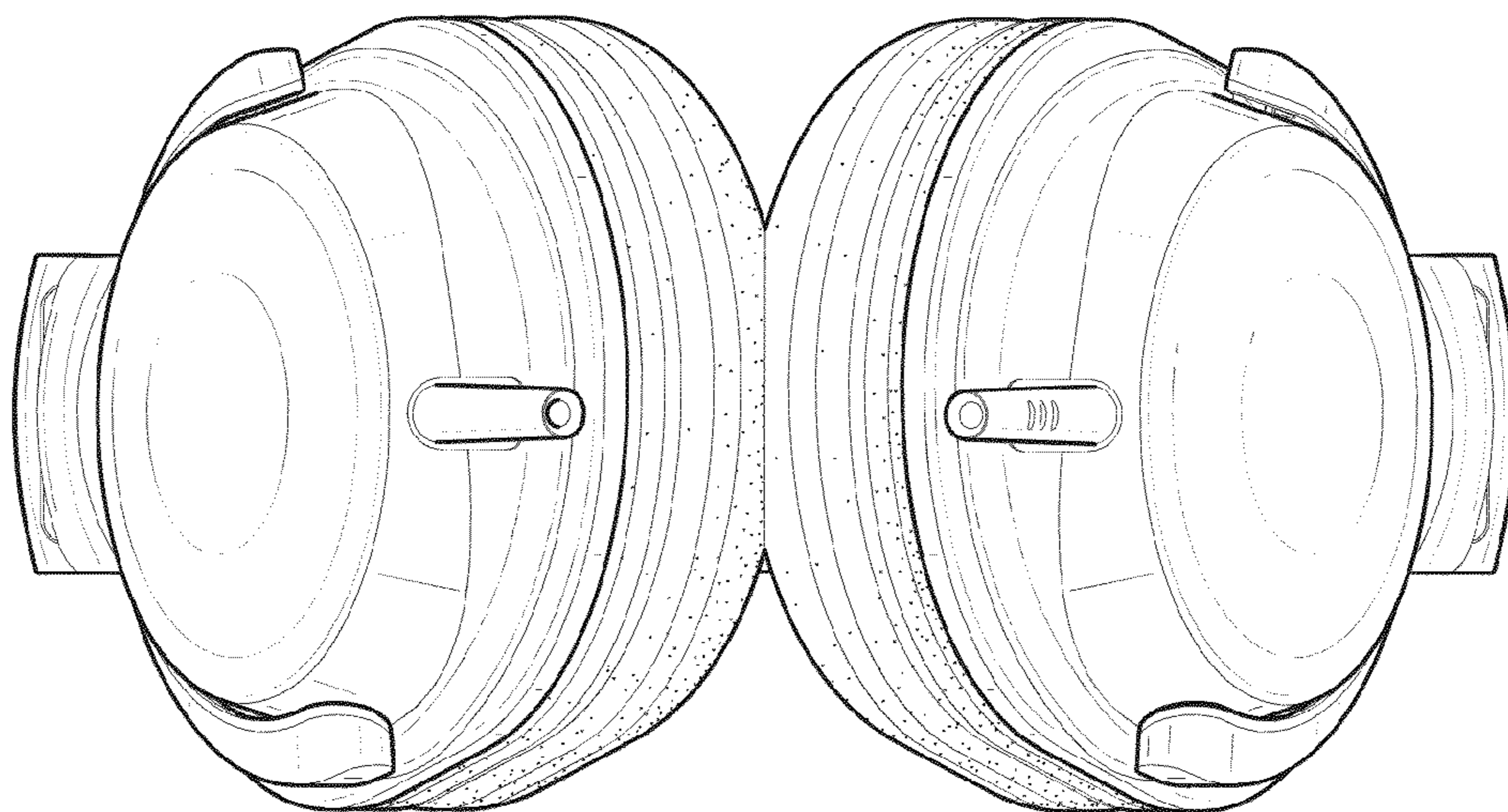


FIG. 7