

US00D729191S

(12) **United States Design Patent**  
**Chung et al.**

(10) **Patent No.:** **US D729,191 S**  
(45) **Date of Patent:** **\*\* May 12, 2015**

(54) **PORTABLE TERMINAL**

- (71) Applicant: **Samsung Electronics Co., Ltd.**,  
Suwon-si (KR)
- (72) Inventors: **In-Sik Chung**, Seoul (KR); **Dae-Yeob Park**, Gimpo-si (KR)
- (73) Assignee: **Samsung Electronics Co., Ltd.**,  
Suwon-si (KR)
- (\*\*) Term: **14 Years**
- (21) Appl. No.: **29/464,563**
- (22) Filed: **Aug. 19, 2013**
- (30) **Foreign Application Priority Data**

Feb. 18, 2013 (KR) ..... 30-2013-0008372

- (51) **LOC (10) Cl.** ..... **14-03**
- (52) **U.S. Cl.**  
USPC ..... **D14/138 G**

- (58) **Field of Classification Search**  
USPC ..... D14/138 G, 138 AD, 138 R, 496, 203.1,  
D14/203.3, 203.5, 203.7, 248, 218, 341,  
D14/138 AC, 250; D21/517, 329, 331;  
D13/168; D10/65, 78; 455/575.1,  
455/556.1, 556.2, 575.3, 575.4;  
379/433.01, 433.04; 361/679.3, 679.56  
See application file for complete search history.

(56) **References Cited**

**U.S. PATENT DOCUMENTS**

D652,813	S	*	1/2012	Song et al.	.....	D14/138 G
D654,887	S	*	2/2012	McManigal et al.	.....	D14/138 G
D661,277	S	*	6/2012	Kim	.....	D14/138 G
D671,086	S	*	11/2012	Yu et al.	.....	D14/138 G
D675,586	S	*	2/2013	Choi	.....	D14/138 G
D676,819	S	*	2/2013	Choi	.....	D14/138 G
D680,513	S	*	4/2013	Lu et al.	.....	D14/138 G
D686,176	S	*	7/2013	Kim	.....	D14/138 G
D687,002	S	*	7/2013	Song et al.	.....	D14/138 G
D689,839	S	*	9/2013	Kim	.....	D14/138 G
8,561,831	B2	*	10/2013	Liao	.....	220/602
D695,252	S	*	12/2013	Song et al.	.....	D14/138 G

(Continued)

**OTHER PUBLICATIONS**

Samsung G910S Galaxy Round telephone, announced Oct. 2013, [online], [site visited Nov. 31, 2014]. Available from Internet, <URL:http://www.gsmarena.com/samsung\_galaxy\_round\_g910s-5766.php>.\*

(Continued)

*Primary Examiner* — Jeffrey D Asch  
*Assistant Examiner* — Sanjeev Paul  
(74) *Attorney, Agent, or Firm* — NSIP Law

(57) **CLAIM**

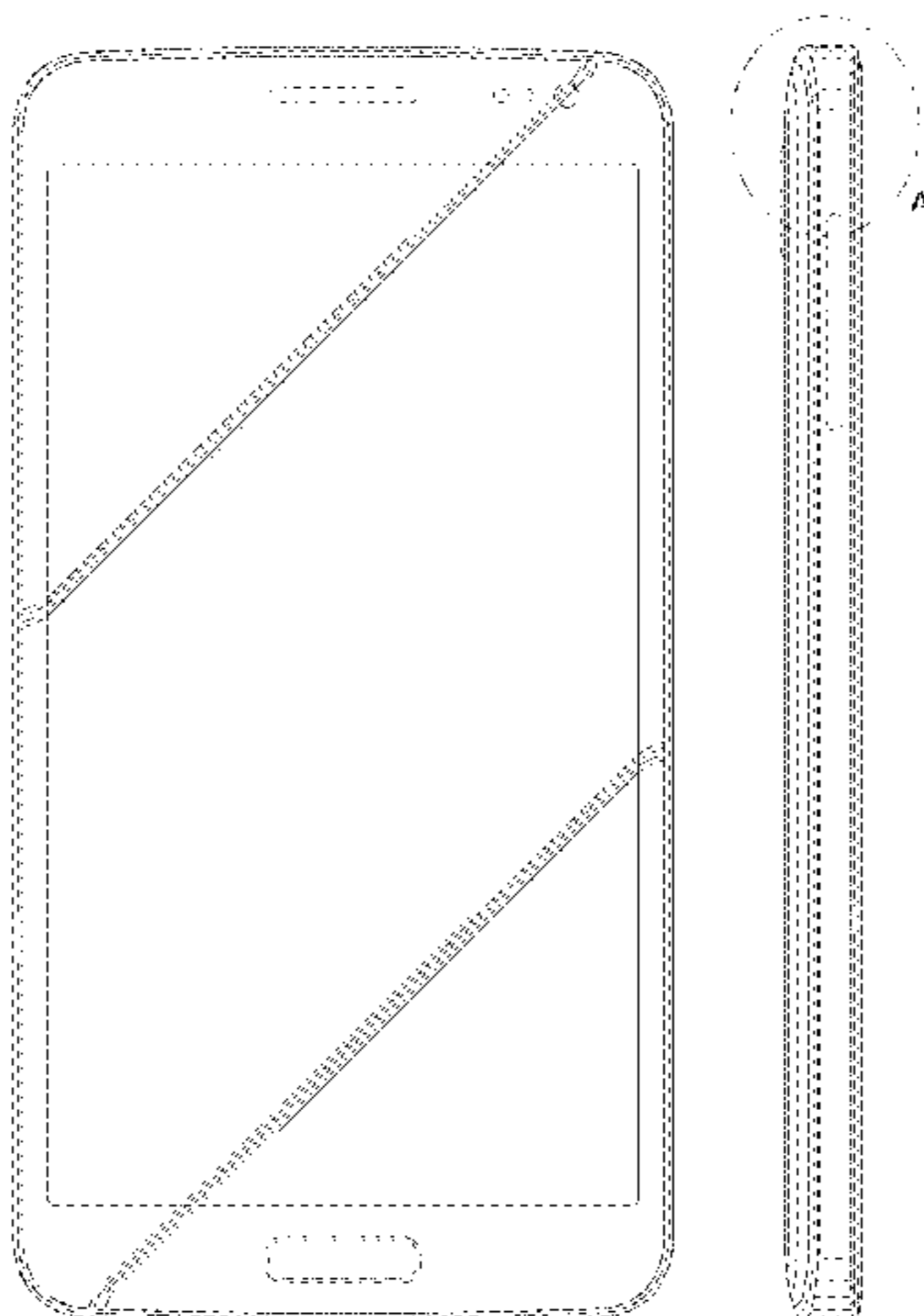
The ornamental design for a portable terminal, as shown and described.

**DESCRIPTION**

FIG. 1 is a front perspective view of a portable terminal showing our new design;  
FIG. 2 is a front view thereof;  
FIG. 3 is a rear view thereof;  
FIG. 4 is a left-side view thereof;  
FIG. 5 is a right-side view thereof;  
FIG. 6 is a top view thereof;  
FIG. 7 is a bottom view thereof;  
FIG. 8 is an enlarged view of the encircled portion A as shown in FIG. 4; and,  
FIG. 9 is an enlarged view of the encircled portion B as shown in FIG. 6.

The broken lines shown in the figures that are immediately adjacent to the shaded areas and define regions that are consistently unshaded, represent the bounds of the claim, while all other broken lines, including those within the broken line boundaries and those that have been shaded through, are directed to non-claimed environment; the broken lines form no part of the claimed design.  
The dot-dash broken lines encircling portions of the claimed design that are illustrated in enlargements form no part of the claimed design.  
The shade lines in the figures show contour and not surface ornamentation.

**1 Claim, 6 Drawing Sheets**



(56)

**References Cited**

U.S. PATENT DOCUMENTS

D695,253	S	*	12/2013	Song et al.	.....	D14/138	G
D696,220	S	*	12/2013	Seo et al.	.....	D14/138	G
D697,039	S	*	1/2014	Kim	.....	D14/138	G
D697,889	S	*	1/2014	Ahn et al.	.....	D14/138	G
D698,332	S	*	1/2014	Ryu	.....	D14/138	G
D698,782	S	*	2/2014	Hong	.....	D14/341	
D702,208	S	*	4/2014	Shin et al.	.....	D14/138	G
D709,472	S	*	7/2014	Seo et al.	.....	D14/138	G
D713,367	S	*	9/2014	Kim et al.	.....	D14/138	G
D718,267	S	*	11/2014	Hu	.....	D14/138	G
2014/0240911	A1	*	8/2014	Cole et al.	.....	361/679.3	

OTHER PUBLICATIONS

Acer Liquid C1 telephone, announced Jan. 2013, [online], [site visited Nov. 31, 2014]. Available from Internet, <URL:http://www.gsmarena.com/acer\_liquid\_c1-5276.php>.\*

LG Optimus G Pro E985 telephone, announced Feb. 2013, [online], [site visited Nov. 31, 2014]. Available from Internet, <URL:http://www.gsmarena.com/lg\_optimus\_g\_pro\_e985-5254.php>.\*

Samsung Galaxy Grand 2 telephone, announced Nov. 2013, [online], [site visited Dec. 12, 2014]. Available from Internet, <URL:http://www.gsmarena.com/samsung\_galaxy\_grand\_2-5862.php>.\*

Samsung G3812B Galaxy S3 Slim telephone, announced Mar. 2014, [online], [site visited Dec. 12, 2014]. Available from Internet, <URL:http://www.gsmarena.com/samsung\_g3812b\_galaxy\_s3\_slim-6209.php>.\*

LG G Pro Lite Dual telephone, announced Oct. 2013, [online], [site visited Dec. 12, 2014]. Available from Internet, <URL:http://www.gsmarena.com/lg\_g\_pro\_lite\_dual-5736.php>.\*

\* cited by examiner

FIG.1

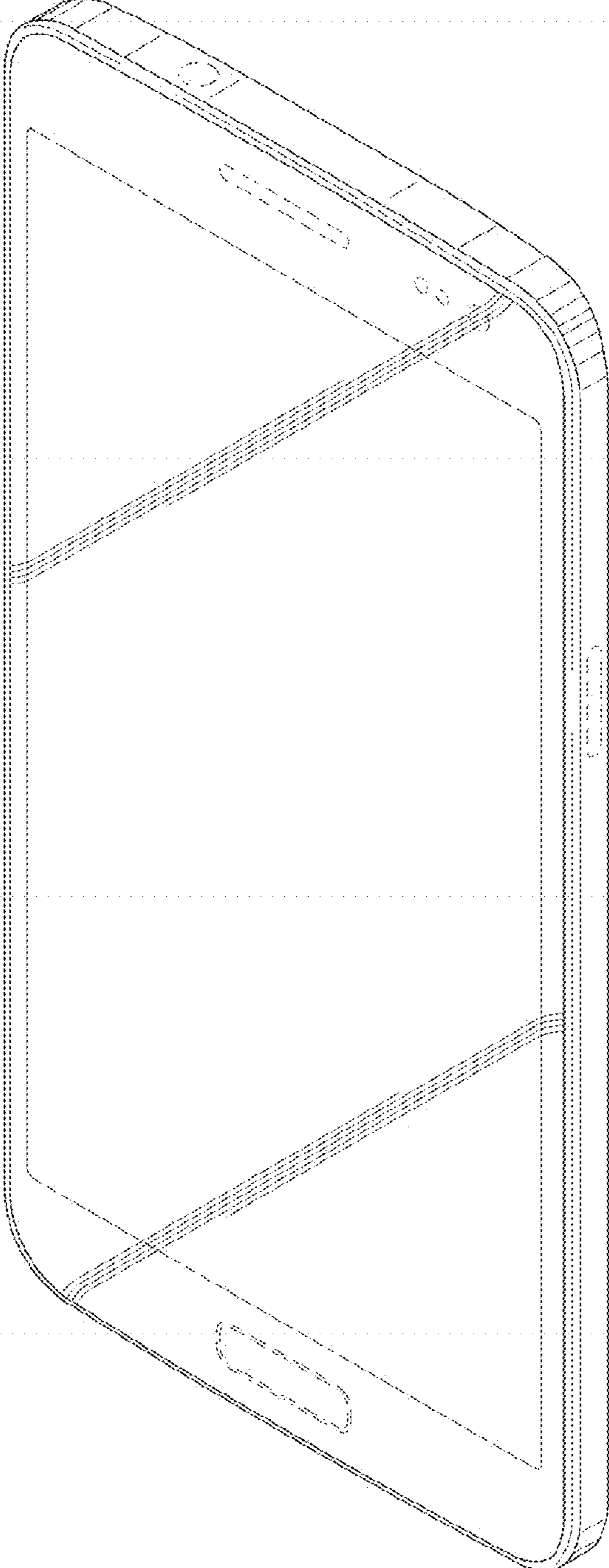


FIG.2

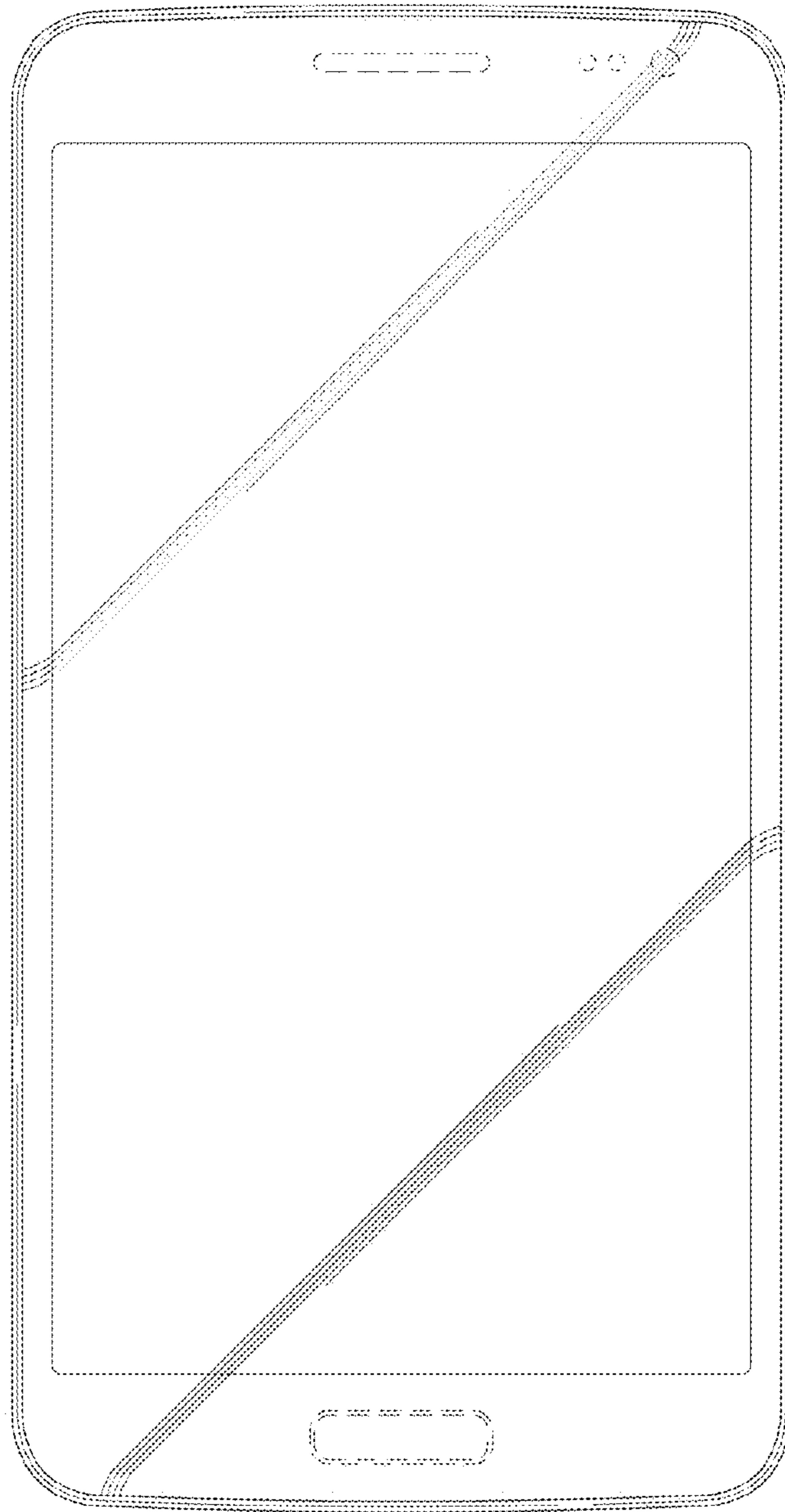


FIG.3

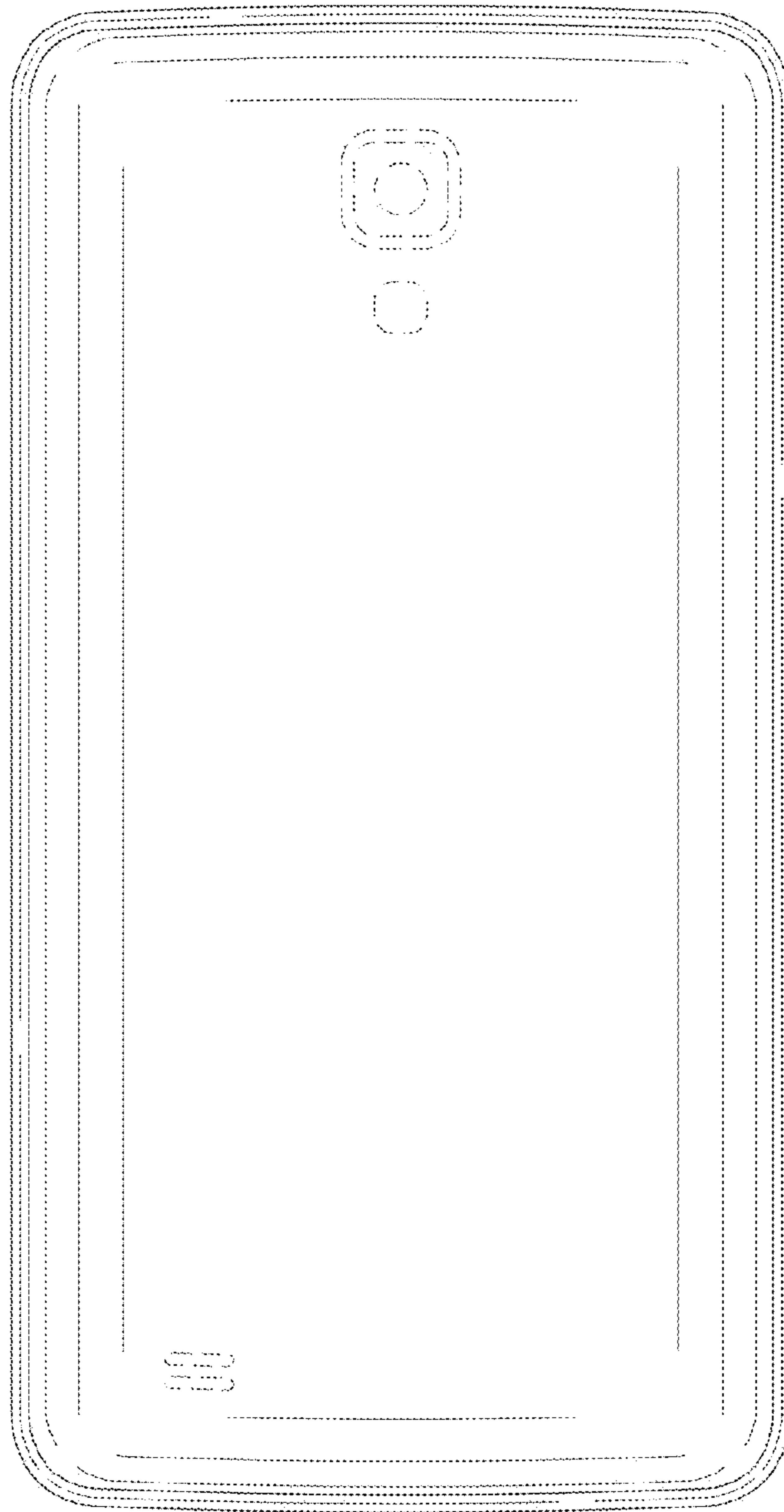




FIG.4

FIG.5

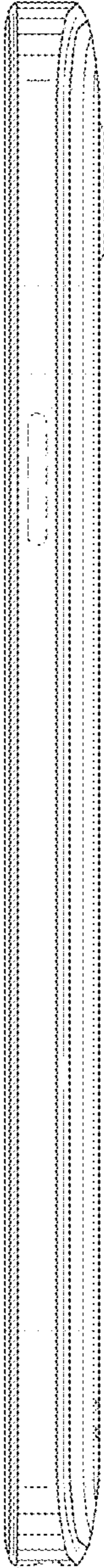
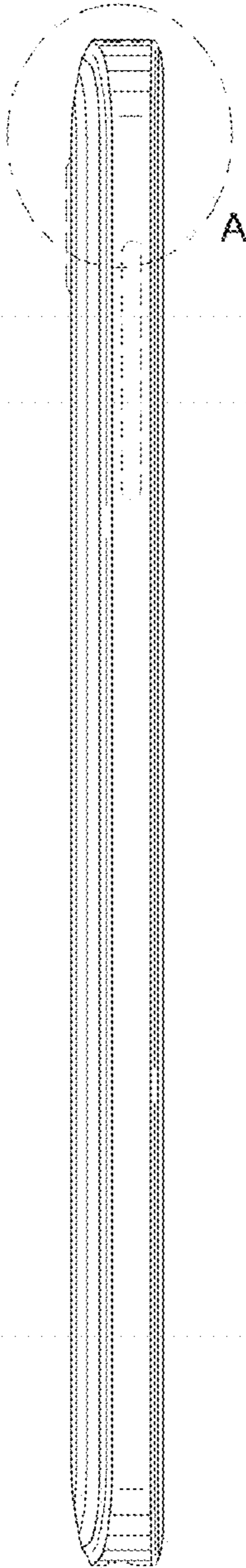


FIG.6

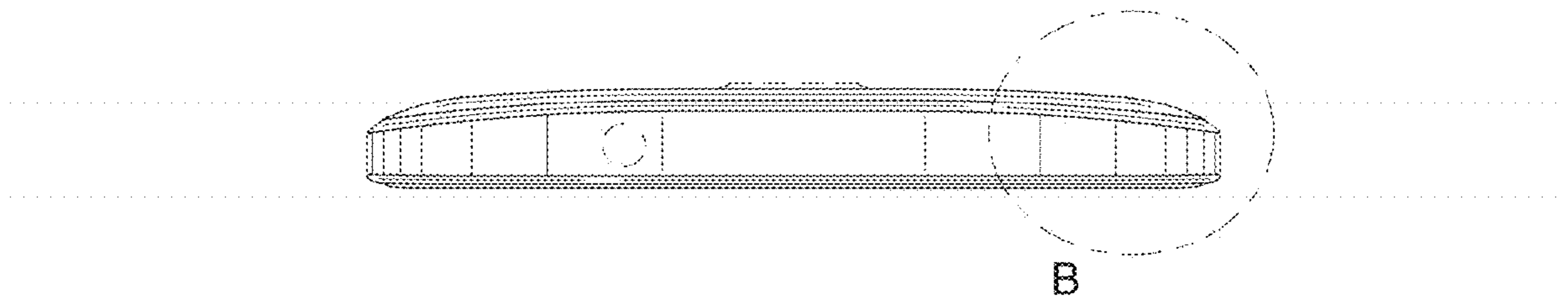


FIG.7

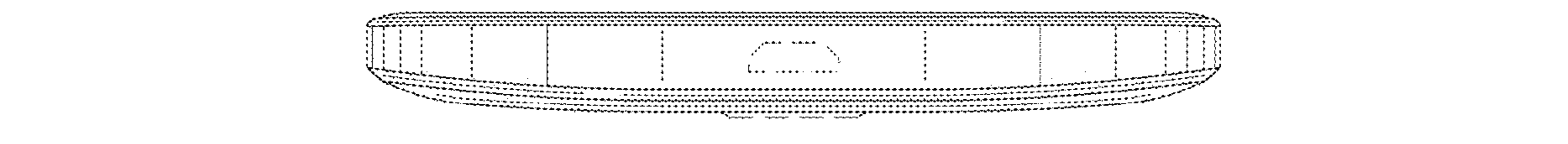


FIG.8

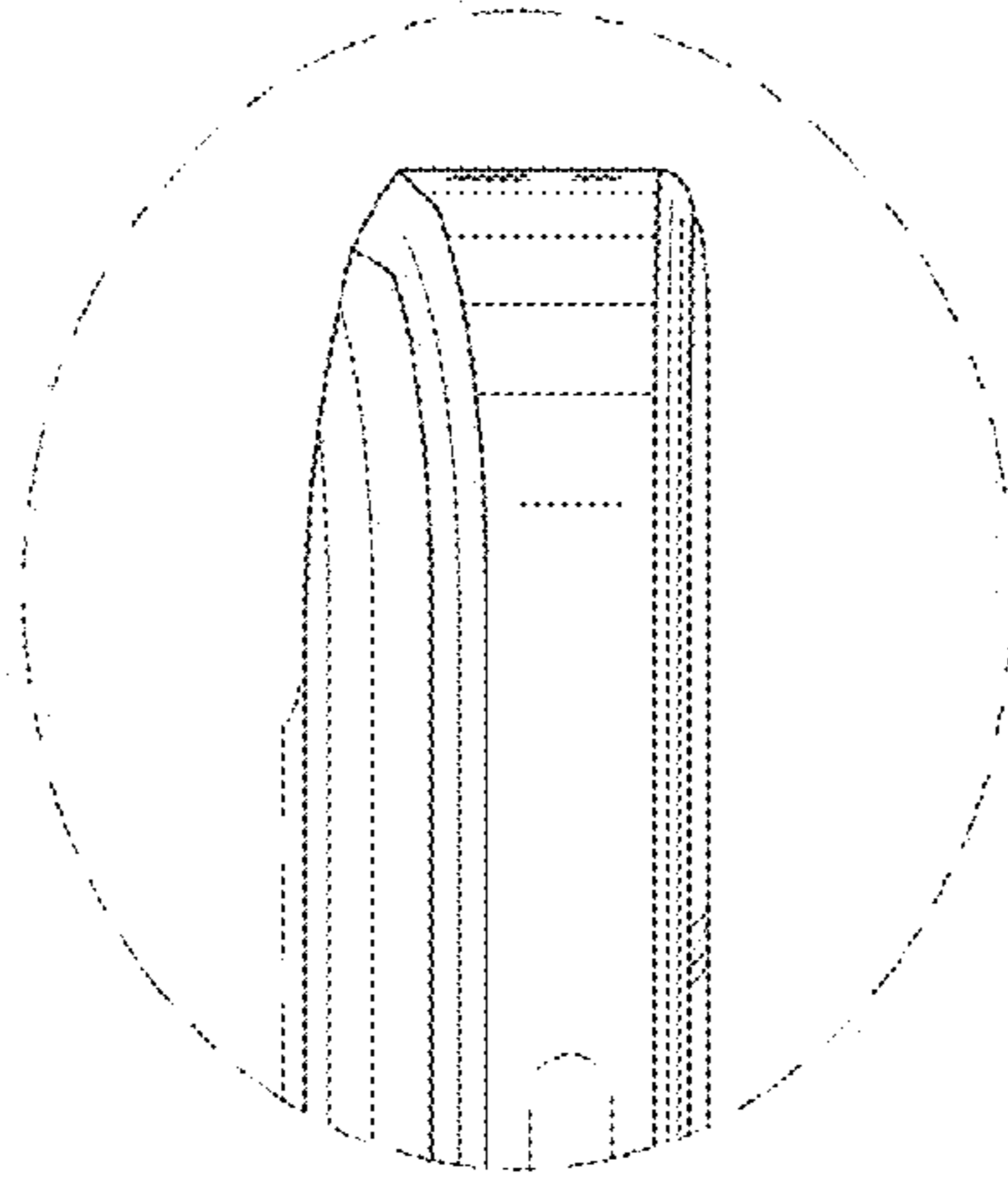


FIG.9

