



US00D729187S

(12) **United States Design Patent**
Kim et al.

(10) **Patent No.:** **US D729,187 S**
(45) **Date of Patent:** **** May 12, 2015**

(54) **TELEVISION RECEIVER**

(56) **References Cited**

- (71) Applicant: **LG Electronics Inc.**, Seoul (KR)
- (72) Inventors: **Yoo Seok Kim**, Seoul (KR); **Byung Mu Huh**, Seoul (KR); **Sang Gi Kim**, Seoul (KR); **Tae Ho Kim**, Seoul (KR)
- (73) Assignee: **LG Electronics Inc.**, Seoul (KR)
- (**) Term: **14 Years**
- (21) Appl. No.: **29/493,337**
- (22) Filed: **Jun. 9, 2014**
- (30) **Foreign Application Priority Data**

U.S. PATENT DOCUMENTS

| | | | | | | |
|----------|---|---|---------|-------------|-------|---------|
| D508,055 | S | * | 8/2005 | Lo | | D14/451 |
| D628,172 | S | * | 11/2010 | Chien | | D14/126 |
| D661,269 | S | * | 6/2012 | Lee et al. | | D14/126 |
| D671,513 | S | * | 11/2012 | Jang et al. | | D14/126 |
| D678,853 | S | * | 3/2013 | Kim et al. | | D14/126 |
| D682,229 | S | * | 5/2013 | Lee et al. | | D14/126 |
| D682,233 | S | * | 5/2013 | Yoo et al. | | D14/126 |
| D682,800 | S | * | 5/2013 | Kim et al. | | D14/126 |
| D683,710 | S | * | 6/2013 | Jeon et al. | | D14/126 |
| D684,132 | S | * | 6/2013 | Lee et al. | | D14/126 |
| D684,945 | S | * | 6/2013 | Kang et al. | | D14/126 |
| D690,675 | S | * | 10/2013 | Kim et al. | | D14/126 |
| D691,977 | S | * | 10/2013 | Lee et al. | | D14/126 |
| D699,698 | S | * | 2/2014 | Jeon et al. | | D14/126 |
| D701,188 | S | * | 3/2014 | Lee | | D14/126 |
| D704,157 | S | * | 5/2014 | Cha et al. | | D14/126 |
| D705,185 | S | * | 5/2014 | Jeon et al. | | D14/126 |
| D709,469 | S | * | 7/2014 | Ryu et al. | | D14/126 |

Jan. 21, 2014 (KR) 30-2014-0003316

- (51) **LOC (10) Cl.** **14-03**
- (52) **U.S. Cl.**
USPC **D14/126**
- (58) **Field of Classification Search**
CPC ... G06F 1/1601; G06F 1/1643; H05K 5/0004;
H05K 5/0017; H05K 5/02; H05K 5/0217
USPC D14/125-134, 239, 371, 136, 374-377,
D14/440, 450, 448, 336, 342, 159; 312/7.2;
348/836, 838, 180, 184, 325, 739;
248/917-924, 465; 345/104, 133, 156,
345/168, 87, 173; D21/329, 515, 577, 622,
D21/333, 433, 448, 452, 450, 331, 505;
D10/15, 26; 446/484, 175, 356;
D6/477, 479, 300; D24/185; D34/14

See application file for complete search history.

* cited by examiner

Primary Examiner — Raphael Barkai

(74) *Attorney, Agent, or Firm* — Morgan, Lewis & Bockius LLP

(57) **CLAIM**

We claim the ornamental design for a television receiver, as shown and described.

DESCRIPTION

FIG. 1 is a perspective view of a television receiver showing the new design;

FIG. 2 is a front elevation view thereof;

FIG. 3 is a rear elevation view thereof;

FIG. 4 is a left-side elevation view thereof;

FIG. 5 is a right-side elevation view thereof;

FIG. 6 is a top plan view thereof;

FIG. 7 is a bottom plan view thereof; and,

FIG. 8 is a rear perspective view thereof.

1 Claim, 5 Drawing Sheets

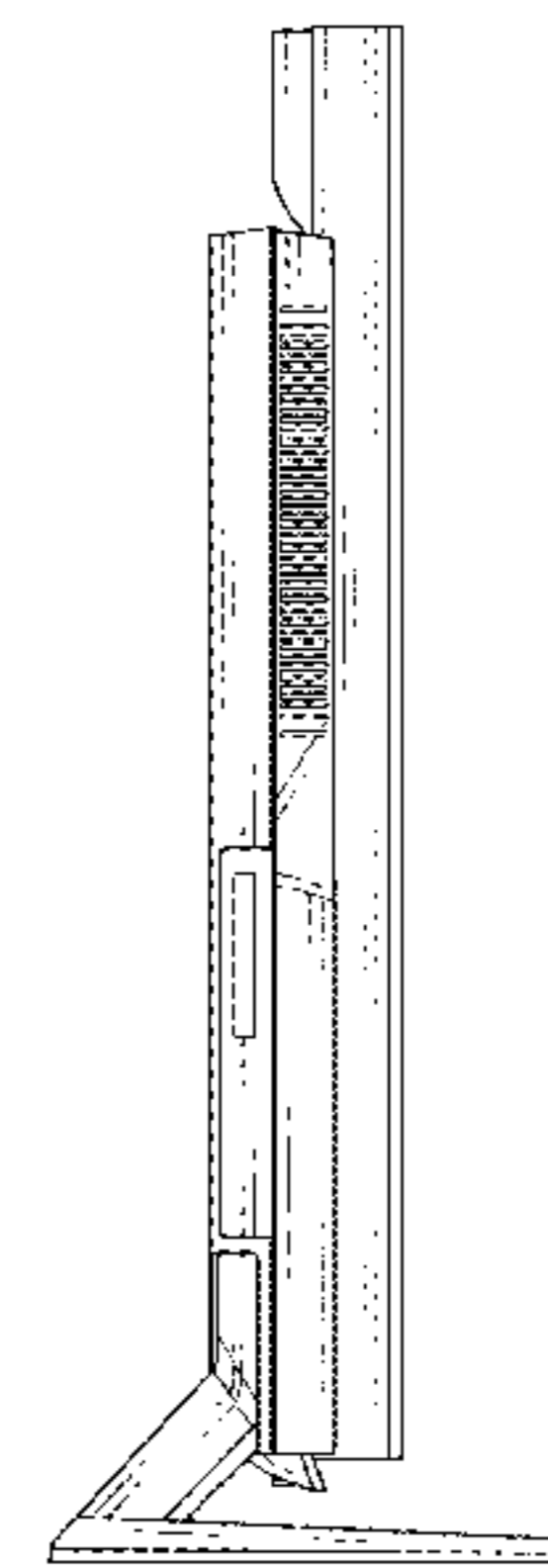
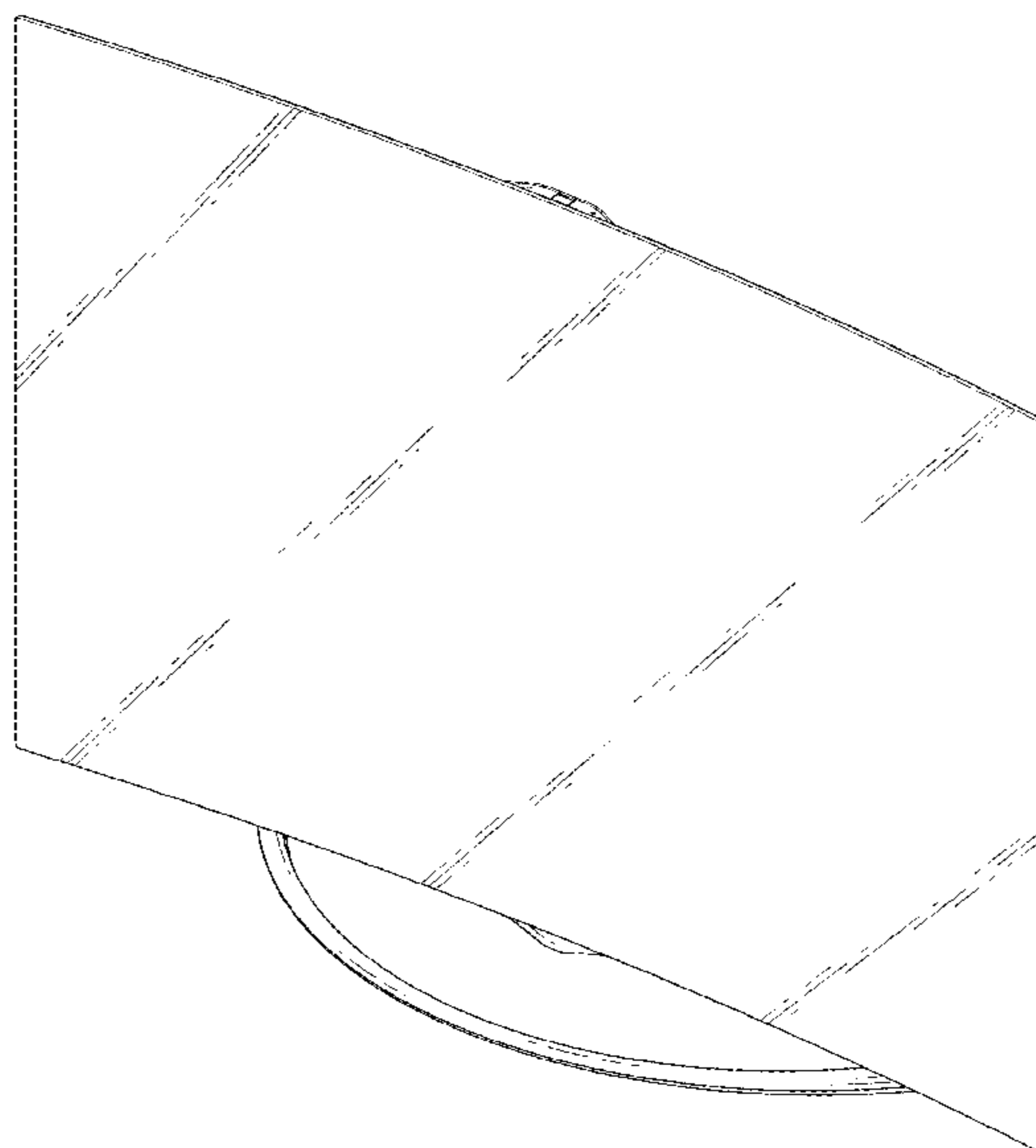


FIG. 1

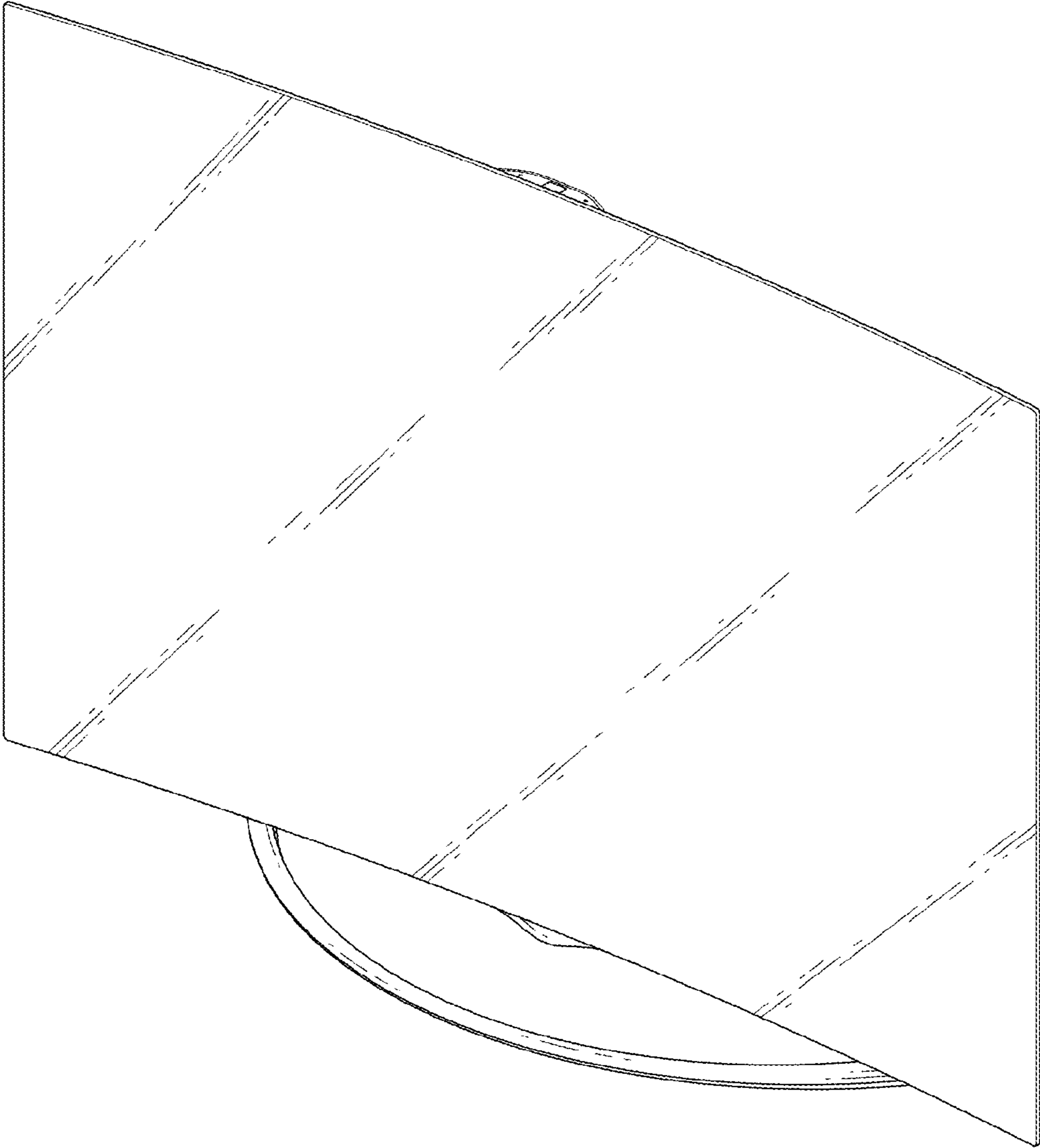


FIG. 2

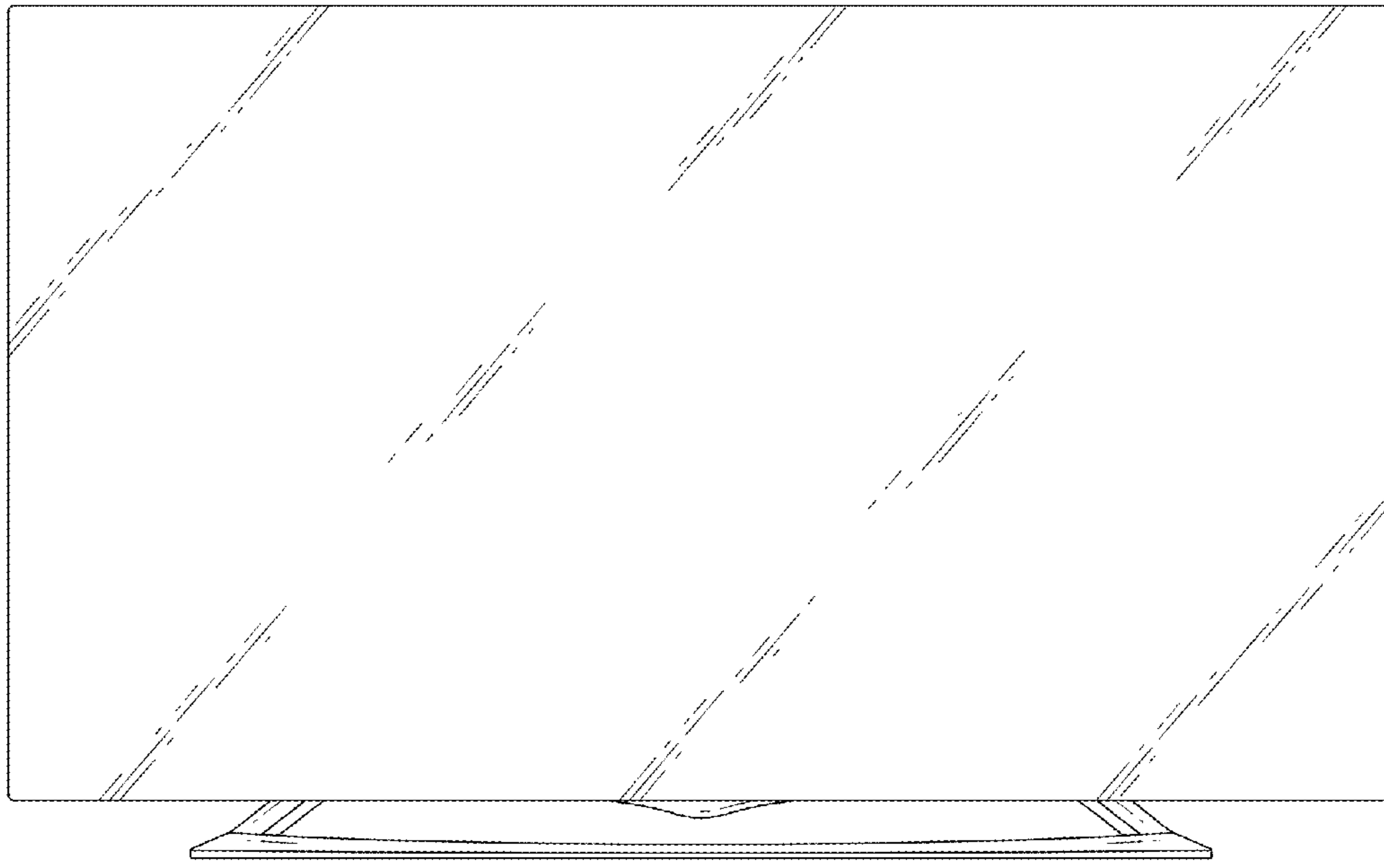


FIG. 3

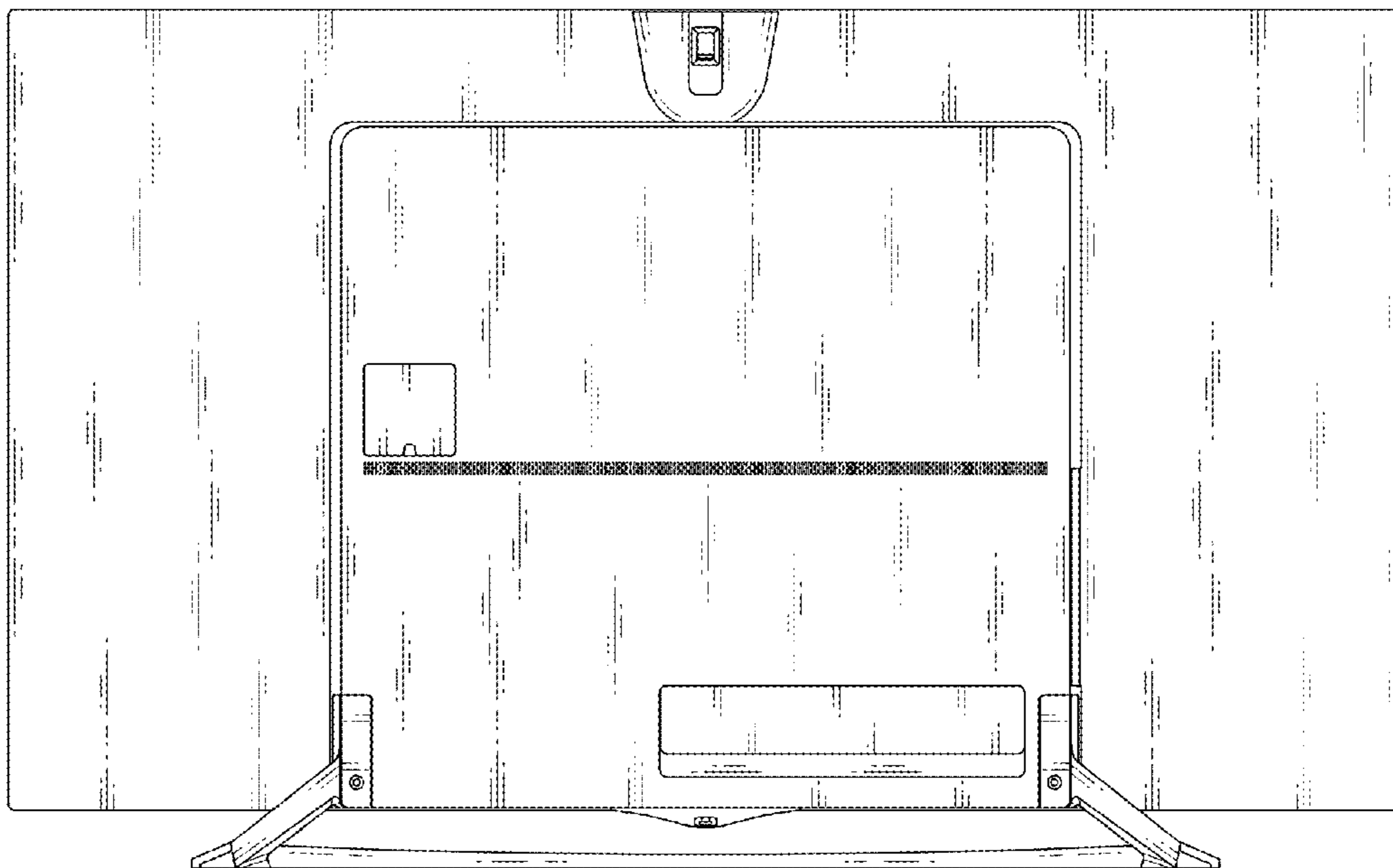


FIG. 4

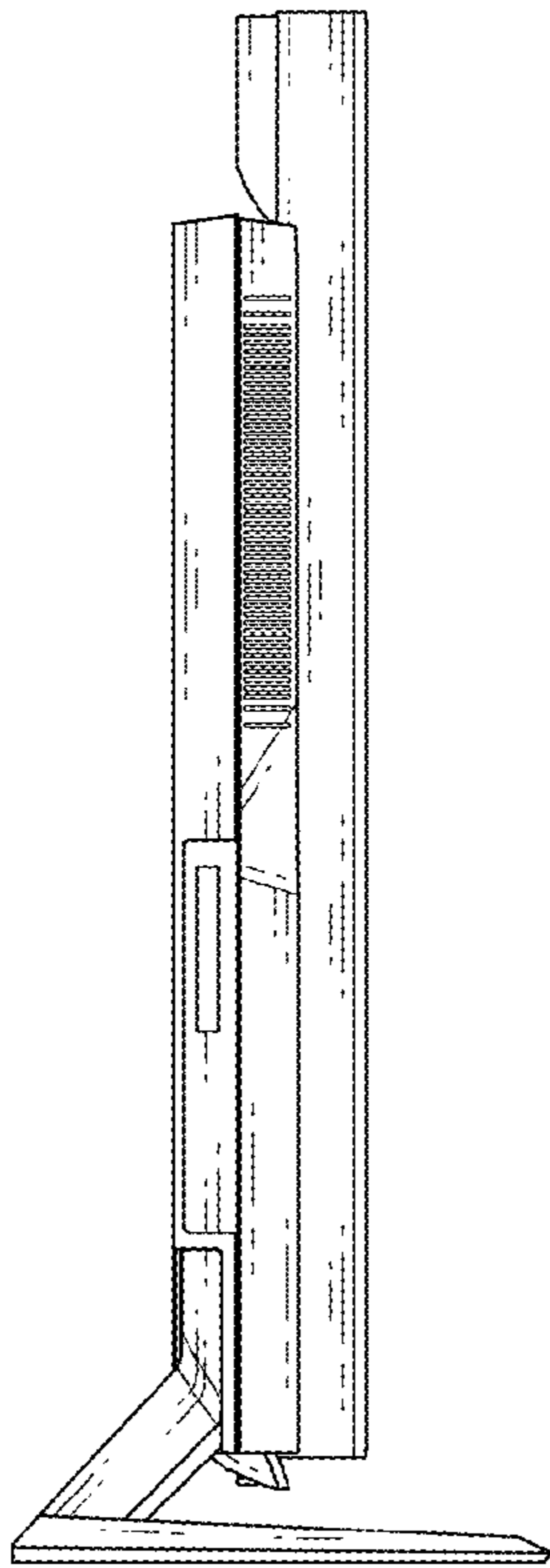


FIG. 5

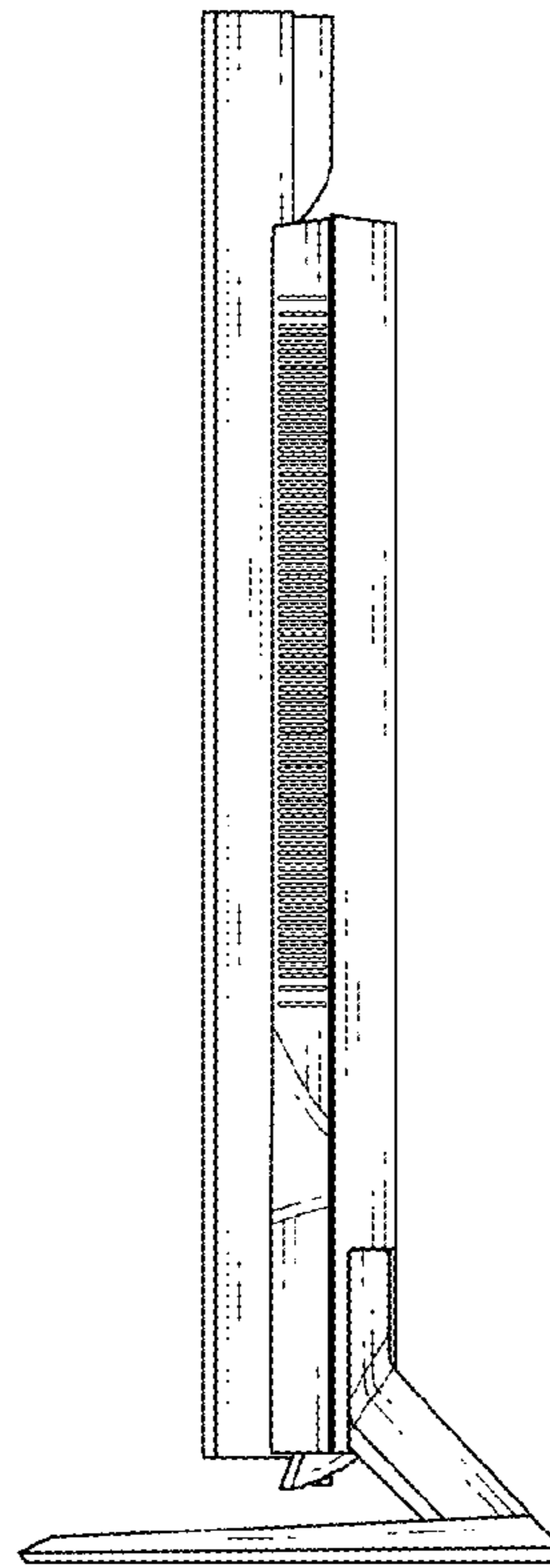


FIG. 6

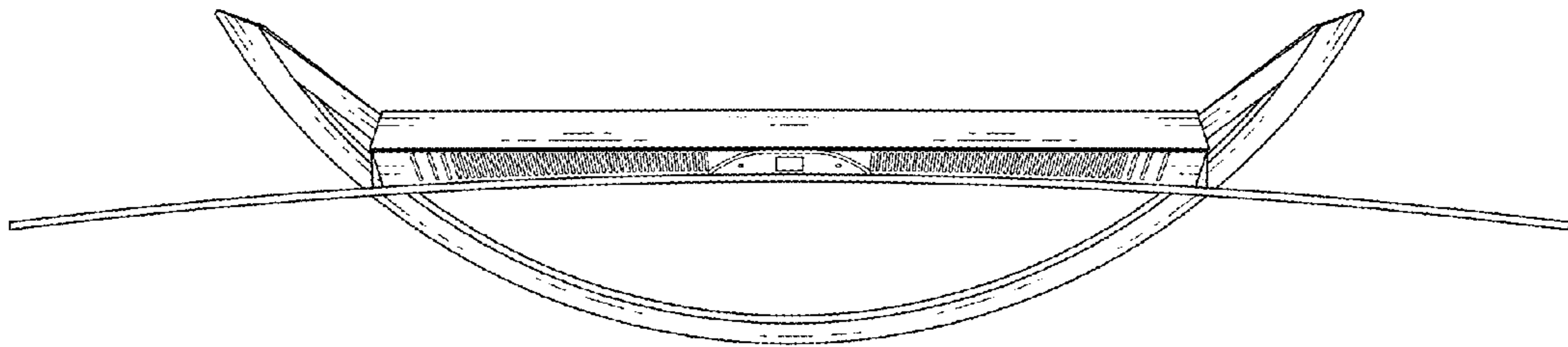


FIG. 7

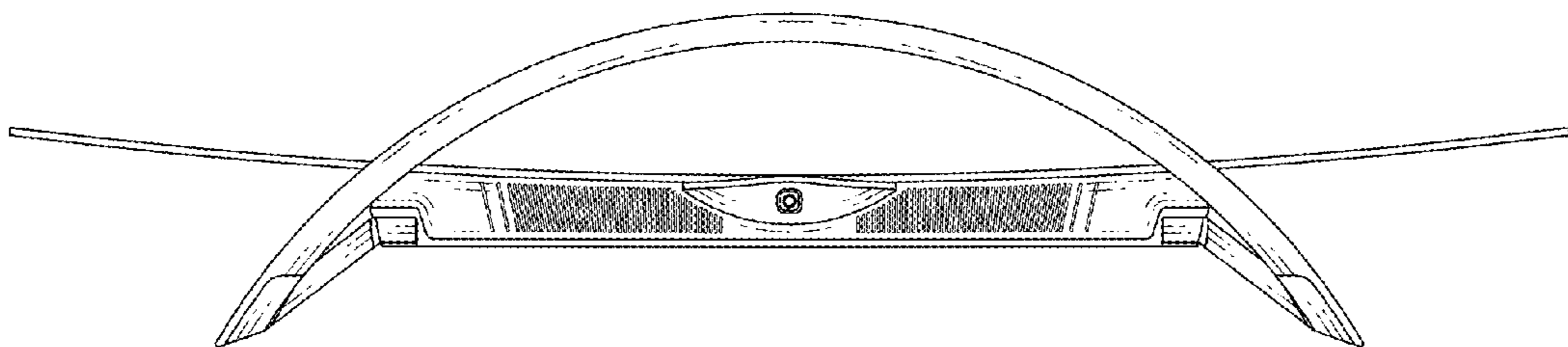


FIG. 8

