



US00D729186S

(12) **United States Design Patent**
Kim et al.

(10) **Patent No.:** **US D729,186 S**

(45) **Date of Patent:** **** May 12, 2015**

(54) **TELEVISION RECEIVER**

D6/477, 479, 300; D24/185; D34/14
See application file for complete search history.

(71) Applicant: **LG Electronics Inc.**, Seoul (KR)

(56) **References Cited**

(72) Inventors: **Yeon Jin Kim**, Seoul (KR); **Sun Ha Park**, Seoul (KR); **Byung Mu Huh**, Seoul (KR); **Kyong Tae Han**, Seoul (KR); **Yeon Ui Chong**, Seoul (KR)

U.S. PATENT DOCUMENTS

(73) Assignee: **LG Electronics Inc.**, Seoul (KR)

D475,048	S	*	5/2003	Wu et al.	D14/374
D554,599	S	*	11/2007	Otsuka et al.	D14/126
D680,509	S	*	4/2013	Hwangbo et al.	D14/126
D682,799	S	*	5/2013	Hwang Bo et al.	D14/126
D689,033	S	*	9/2013	Hwangbo et al.	D14/126
D709,468	S	*	7/2014	Seo et al.	D14/126

(**) Term: **14 Years**

* cited by examiner

(21) Appl. No.: **29/493,334**

Primary Examiner — Raphael Barkai

(22) Filed: **Jun. 9, 2014**

(74) *Attorney, Agent, or Firm* — Morgan, Lewis & Bockius LLP

(30) **Foreign Application Priority Data**

(57) **CLAIM**

Jan. 7, 2014 (KR) 30-2014-0000977

We claim the ornamental design for a television receiver, as shown and described.

(51) **LOC (10) Cl.** **14-03**

DESCRIPTION

(52) **U.S. Cl.**

USPC **D14/126**

(58) **Field of Classification Search**

CPC ... G06F 1/1601; G06F 1/1643; H05K 5/0004;
H05K 5/0017; H05K 5/02; H05K 5/0217
USPC D14/125-134, 239, 371, 136, 374-377,
D14/440, 450, 448, 336, 342, 159; 312/7.2;
348/836, 838, 180, 184, 325, 739;
248/917-924, 465; 345/104, 133, 156,
345/168, 87, 173; D21/329, 515, 577, 622,
D21/333, 433, 448, 452, 450, 331, 505;
D10/15, 26; 446/484, 175, 356;

FIG. 1 is a perspective view of a television receiver showing the new design;
FIG. 2 is a front elevation view thereof;
FIG. 3 is a rear elevation view thereof;
FIG. 4 is a left-side elevation view thereof;
FIG. 5 is a right-side elevation view thereof;
FIG. 6 is a top plan view thereof;
FIG. 7 is a bottom plan view thereof; and,
FIG. 8 is a rear perspective view thereof.

1 Claim, 6 Drawing Sheets

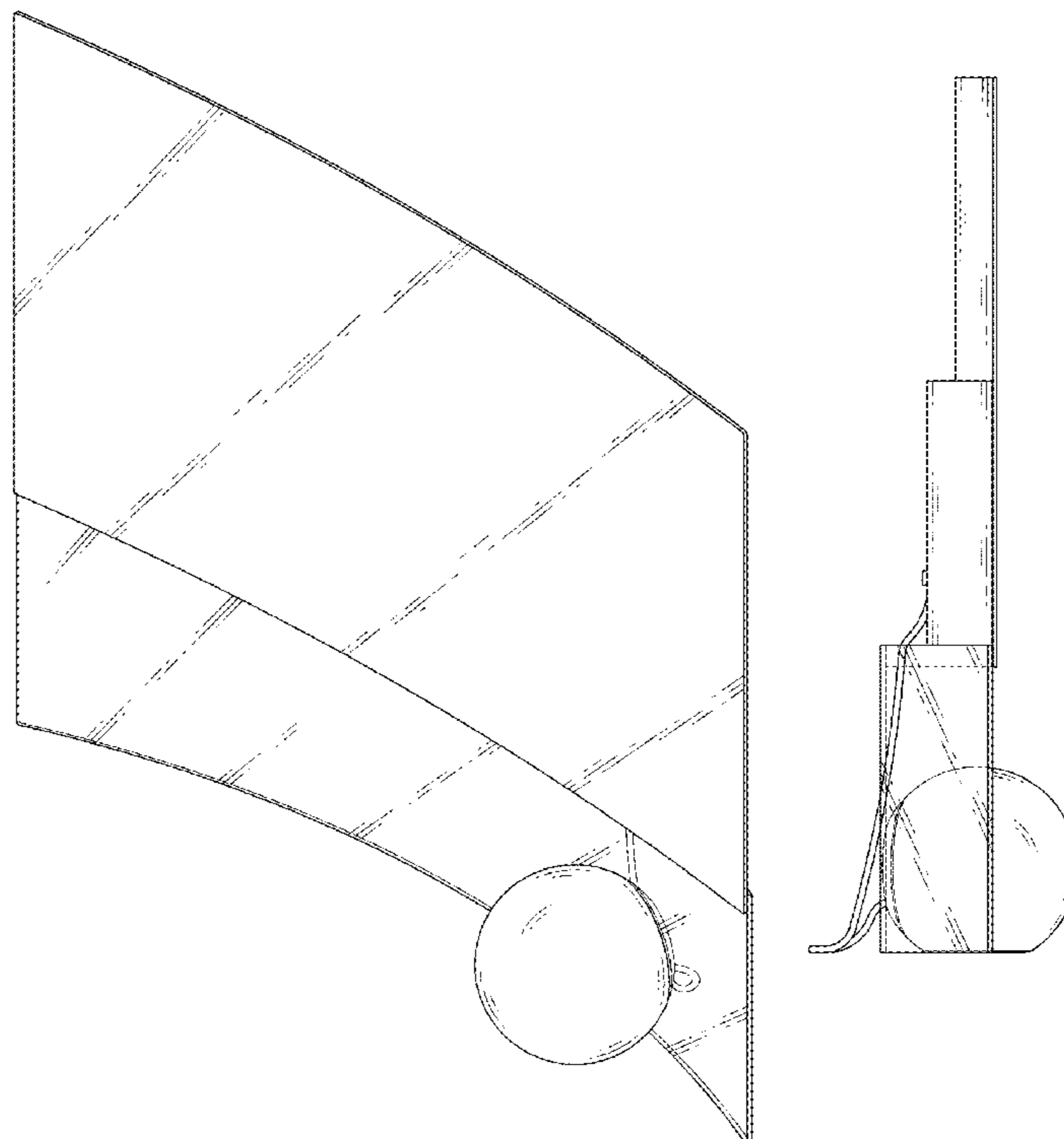


FIG. 1

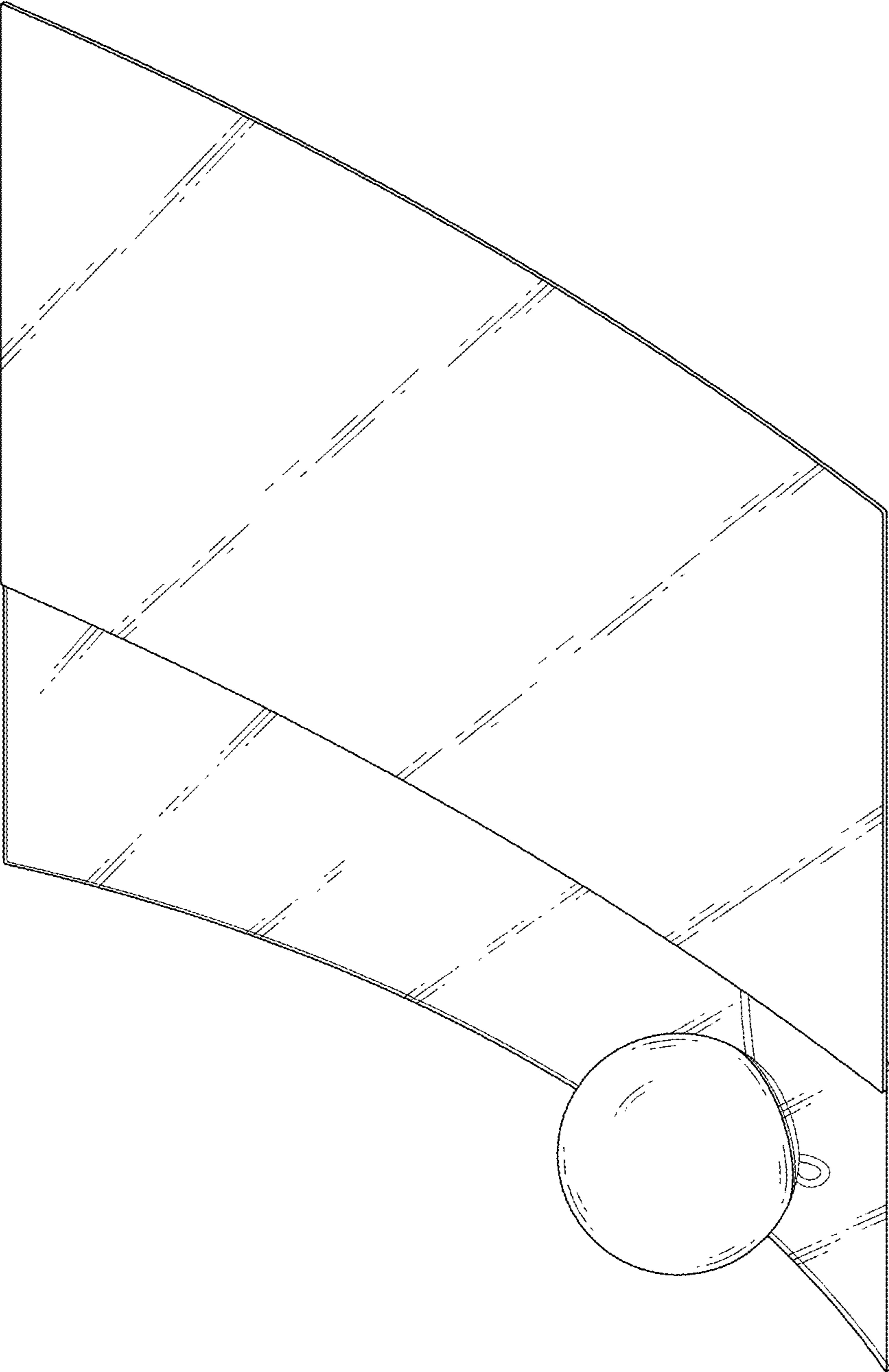


FIG. 2

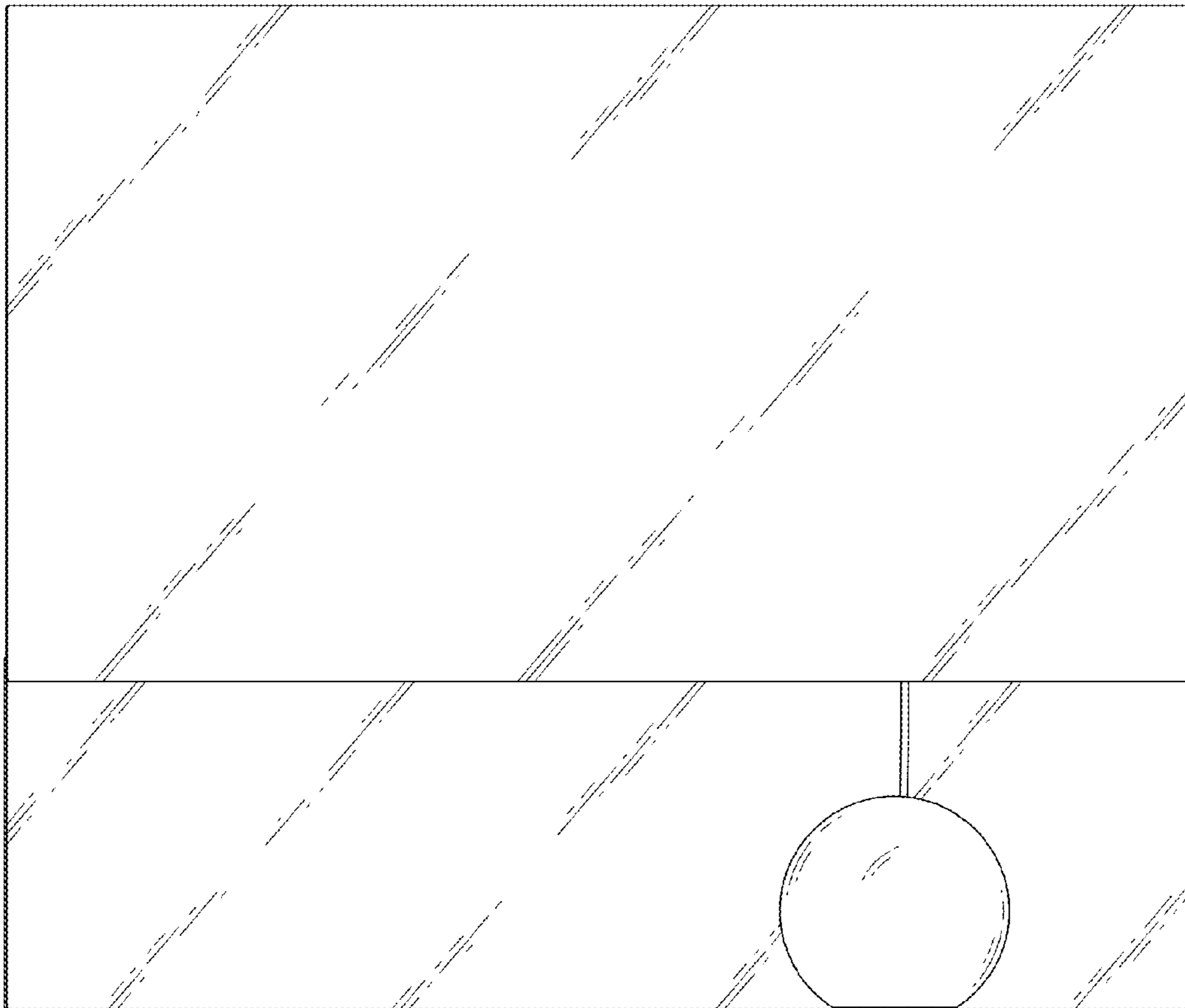


FIG. 3

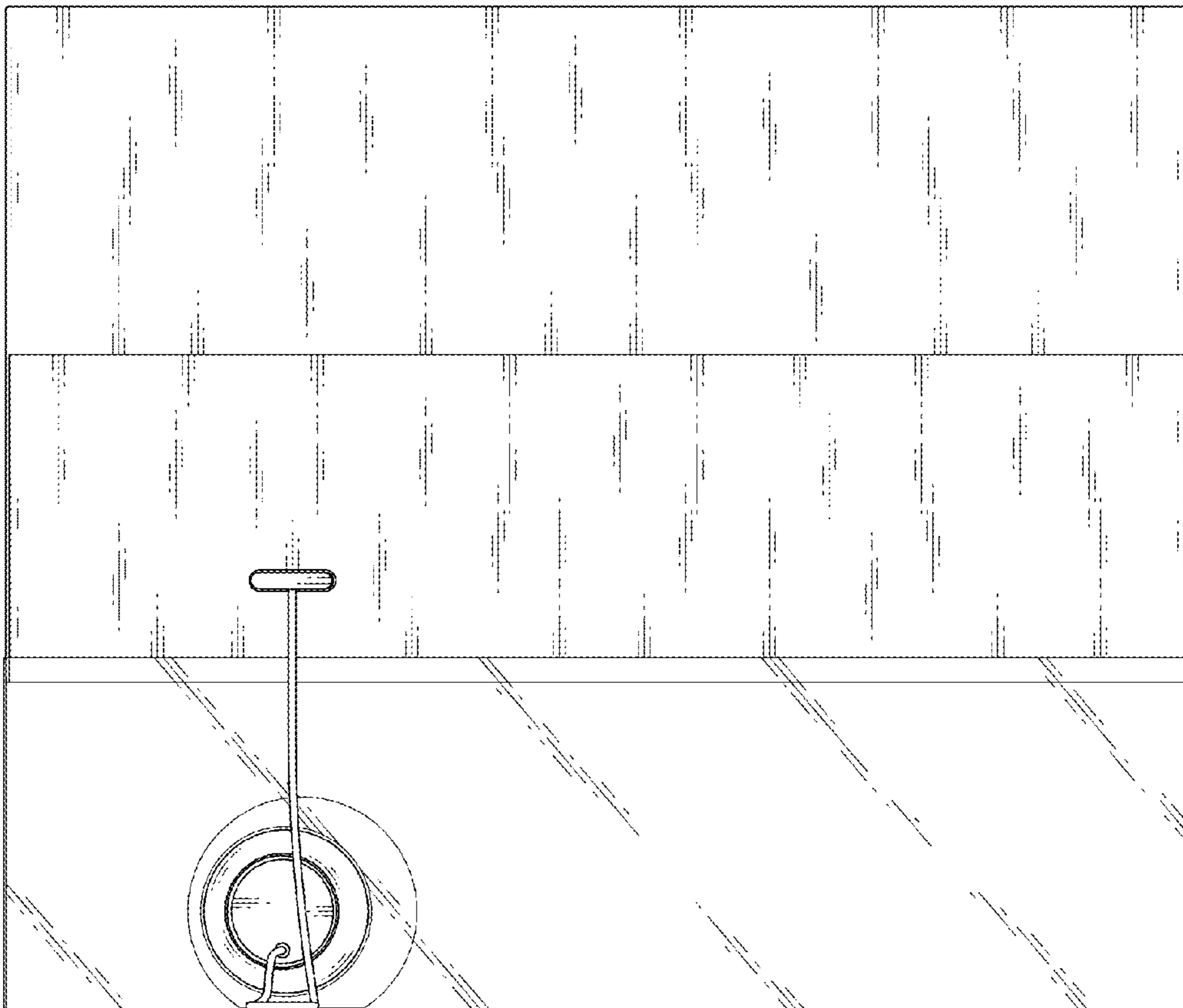


FIG. 4

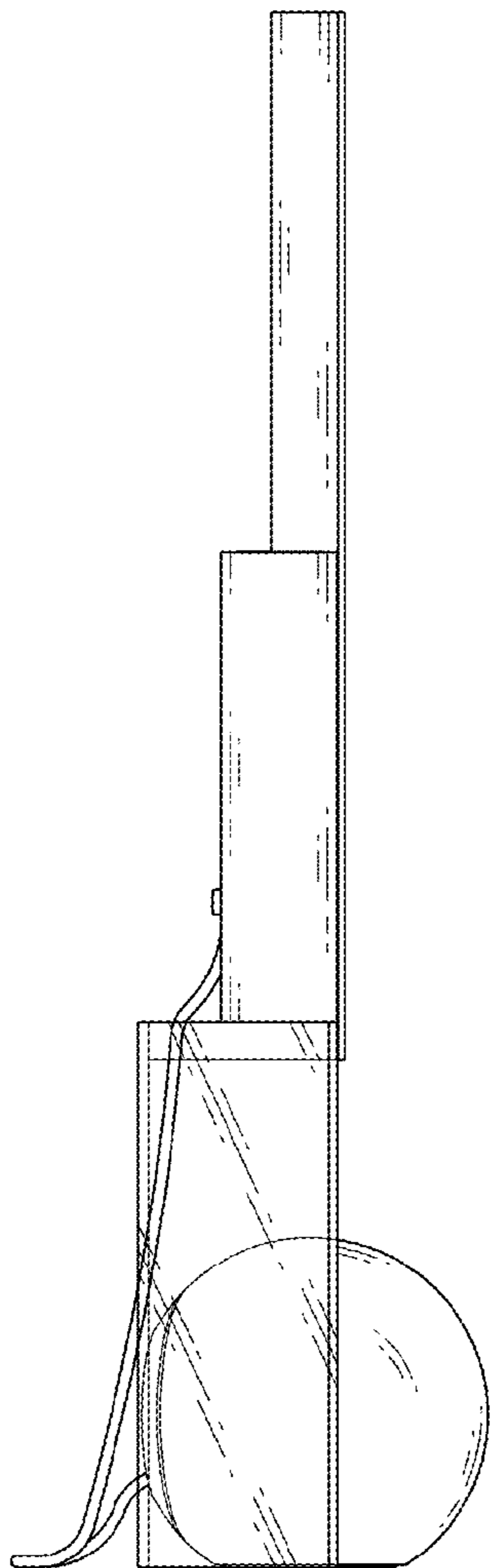


FIG. 5

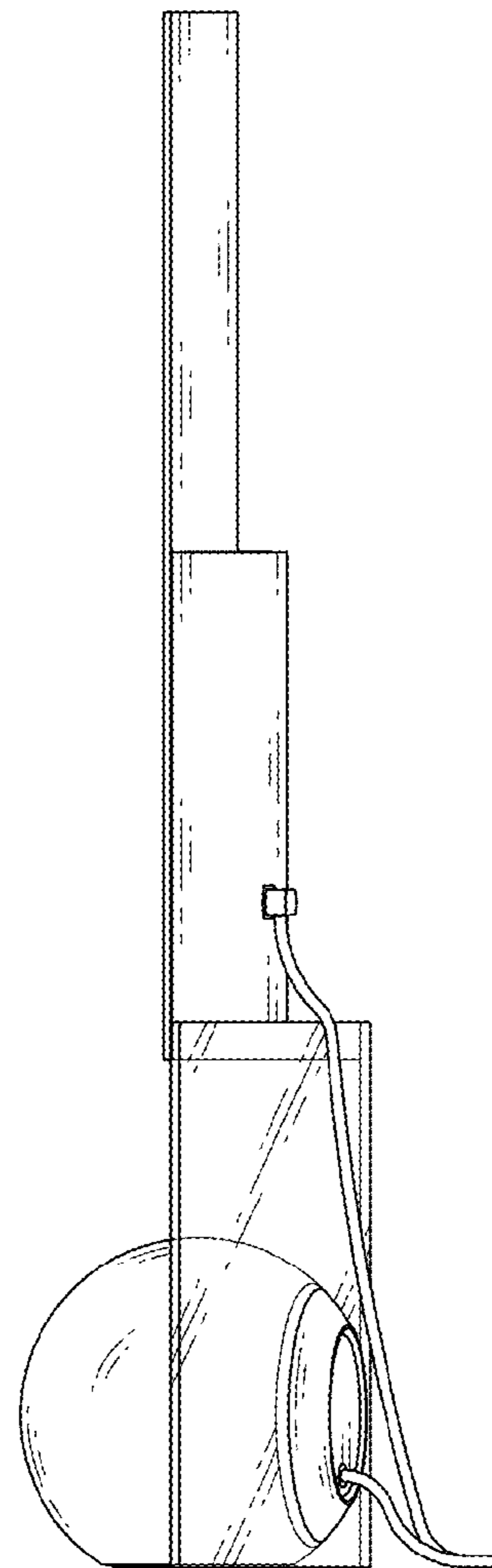


FIG.6

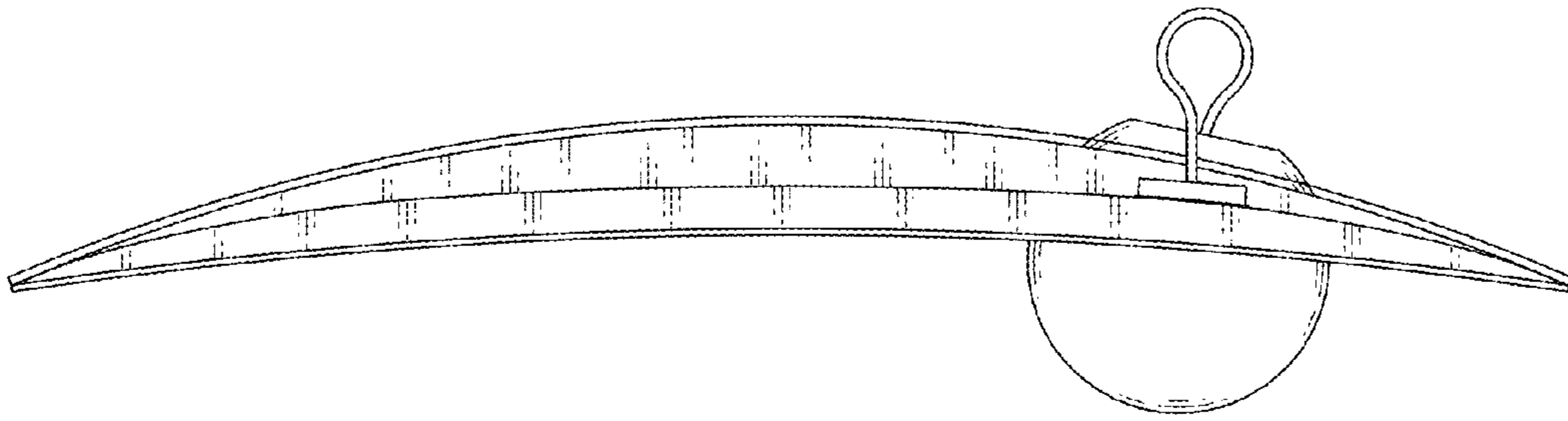


FIG.7

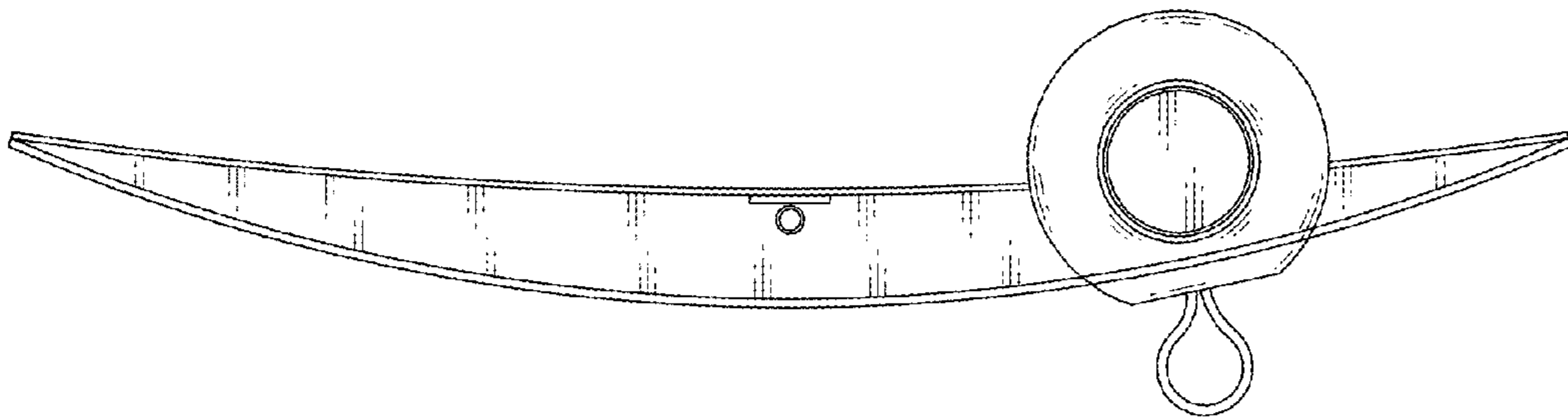


FIG. 8

