



US00D729184S

(12) **United States Design Patent**
Huang et al.

(10) **Patent No.:** **US D729,184 S**

(45) **Date of Patent:** **** May 12, 2015**

(54) **LIQUID-CRYSTAL DISPLAY TELEVISION**

(56) **References Cited**

(71) Applicant: **Top Victory Investments Ltd.**, Kowloon (HK)

U.S. PATENT DOCUMENTS

(72) Inventors: **Jui-Chang Huang**, New Taipei (TW);
Yung-Hung Chiu, New Taipei (TW);
Chun-Yang Lin, New Taipei (TW)

D562,784 S *	2/2008	Asanuma et al.	D14/126
D586,306 S *	2/2009	Isshiki	D14/126
D637,572 S *	5/2011	Chu et al.	D14/126
D637,574 S *	5/2011	Araki	D14/126
D670,668 S *	11/2012	Chen et al.	D14/126

(73) Assignee: **Top Victory Investments Ltd.**, Kowloon (HK)

* cited by examiner

(**) Term: **14 Years**

Primary Examiner — Raphael Barkai

(21) Appl. No.: **29/453,714**

(74) *Attorney, Agent, or Firm* — Alan D. Kamrath; Kamrath IP Lawfirm, P.A.

(22) Filed: **May 2, 2013**

(51) **LOC (10) Cl.** **14-03**

(52) **U.S. Cl.**
USPC **D14/126**

(57) **CLAIM**

The ornamental design for liquid-crystal display television, as shown and described.

(58) **Field of Classification Search**

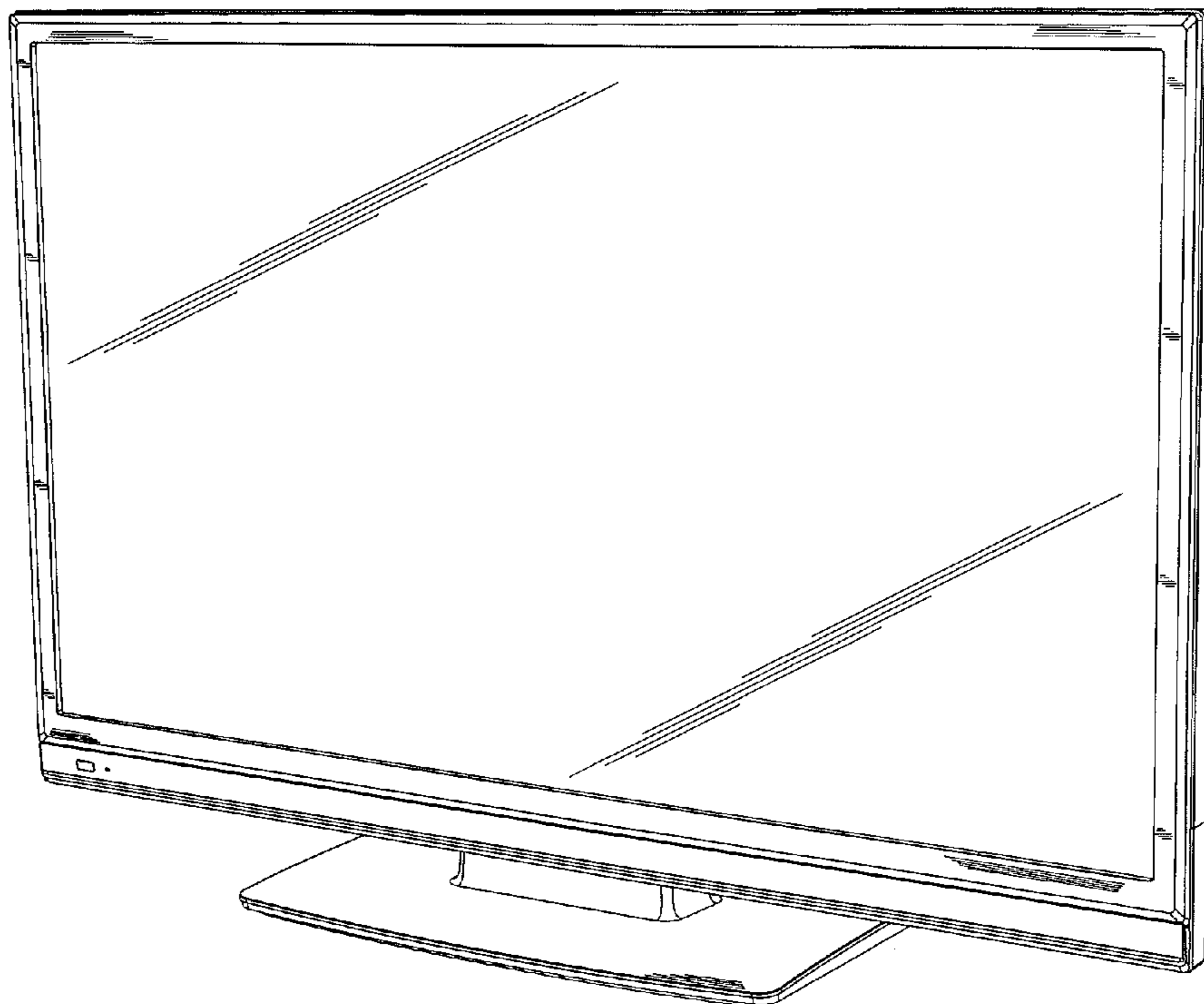
CPC ... G06F 1/1601; G06F 1/1643; H05K 5/0004;
H05K 5/0017; H05K 5/02; H05K 5/0217
USPC D14/125-134, 239, 371, 136, 374-377,
D14/440, 450, 448, 336, 342, 159; 312/7.2;
348/836, 838, 180, 184, 325, 739;
248/917-924, 465; 345/104, 133, 156,
345/168, 87, 173; D21/329, 515, 577, 622,
D21/333, 433, 448, 452, 450, 331, 505;
D10/15, 26; 446/484, 175, 356;
D6/477, 479, 300; D24/185; D34/14

DESCRIPTION

FIG. 1 is a perspective view of a liquid-crystal display television showing our new design;
FIG. 2 is a front side elevational view thereof;
FIG. 3 is a rear side elevational view thereof;
FIG. 4 is a left elevational view thereof;
FIG. 5 is a right elevational view thereof;
FIG. 6 is a top plan view thereof;
FIG. 7 is a bottom plan view thereof; and,
FIG. 8 is a rear perspective view thereof.

See application file for complete search history.

1 Claim, 8 Drawing Sheets



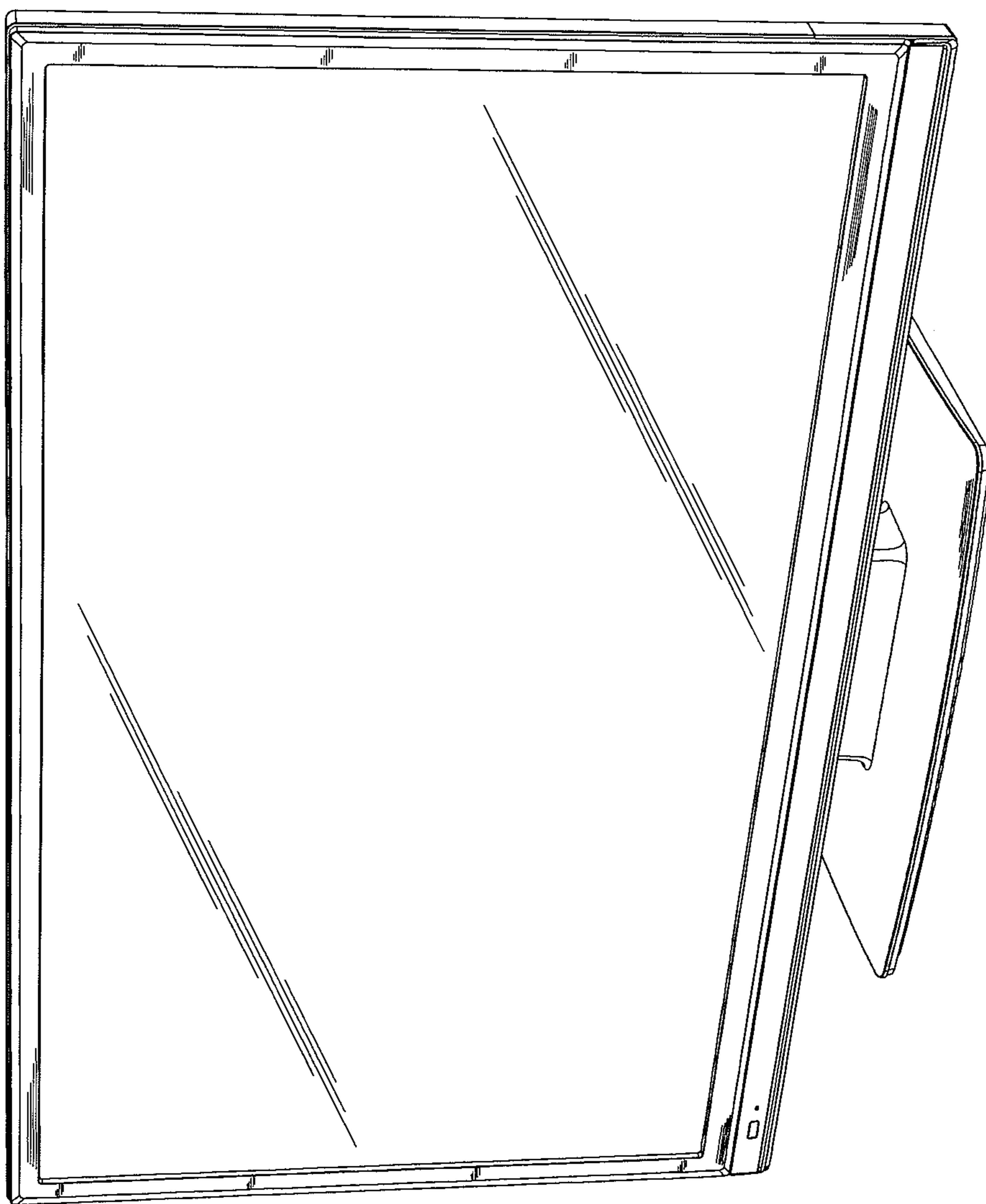


FIG.1

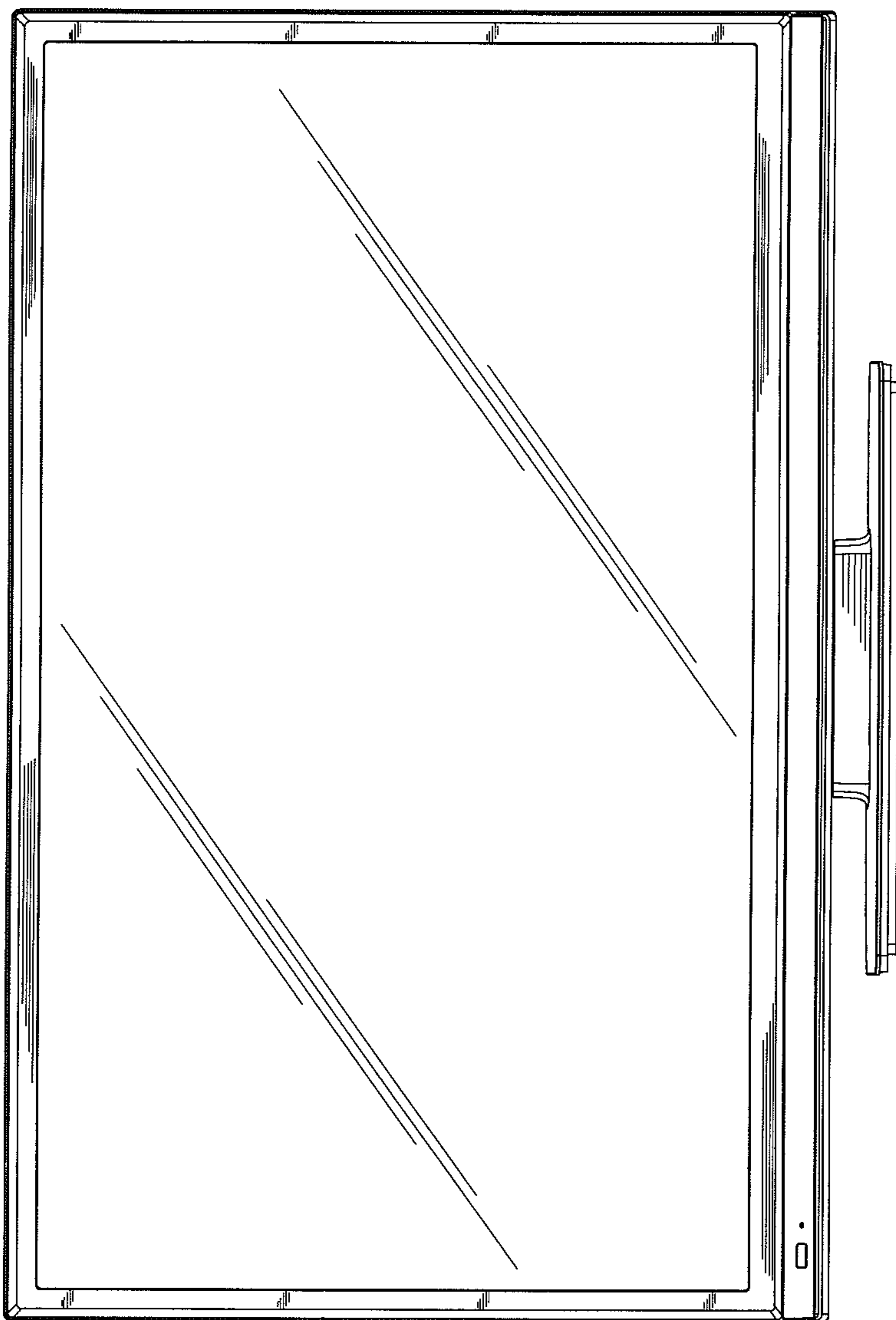


FIG.2

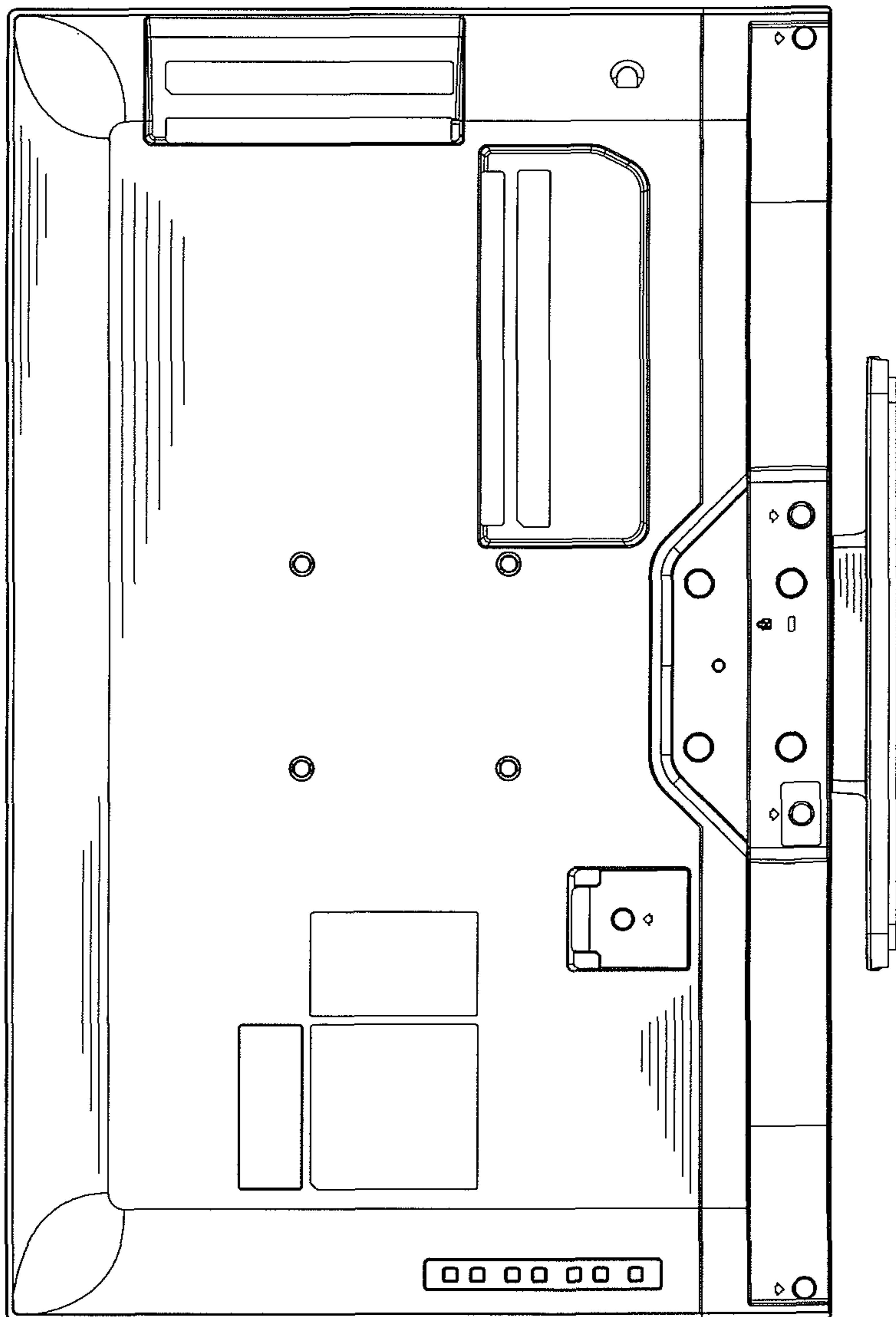


FIG.3

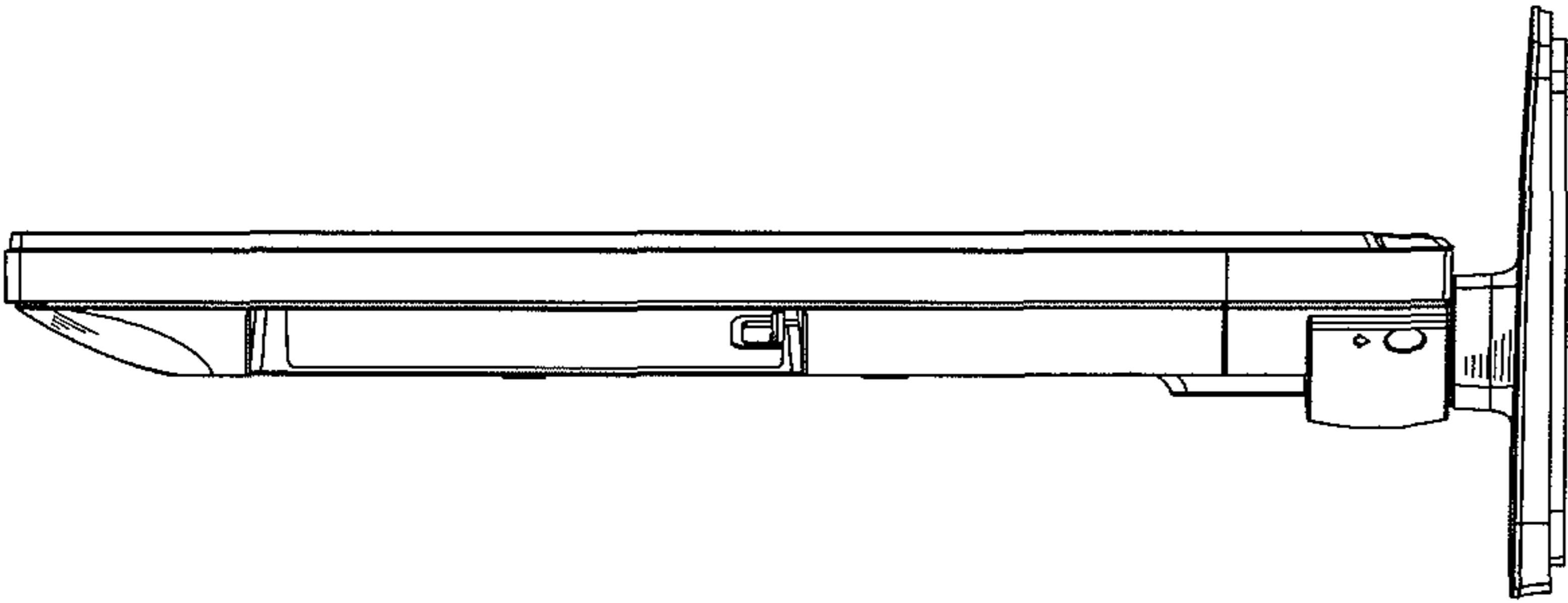


FIG.4

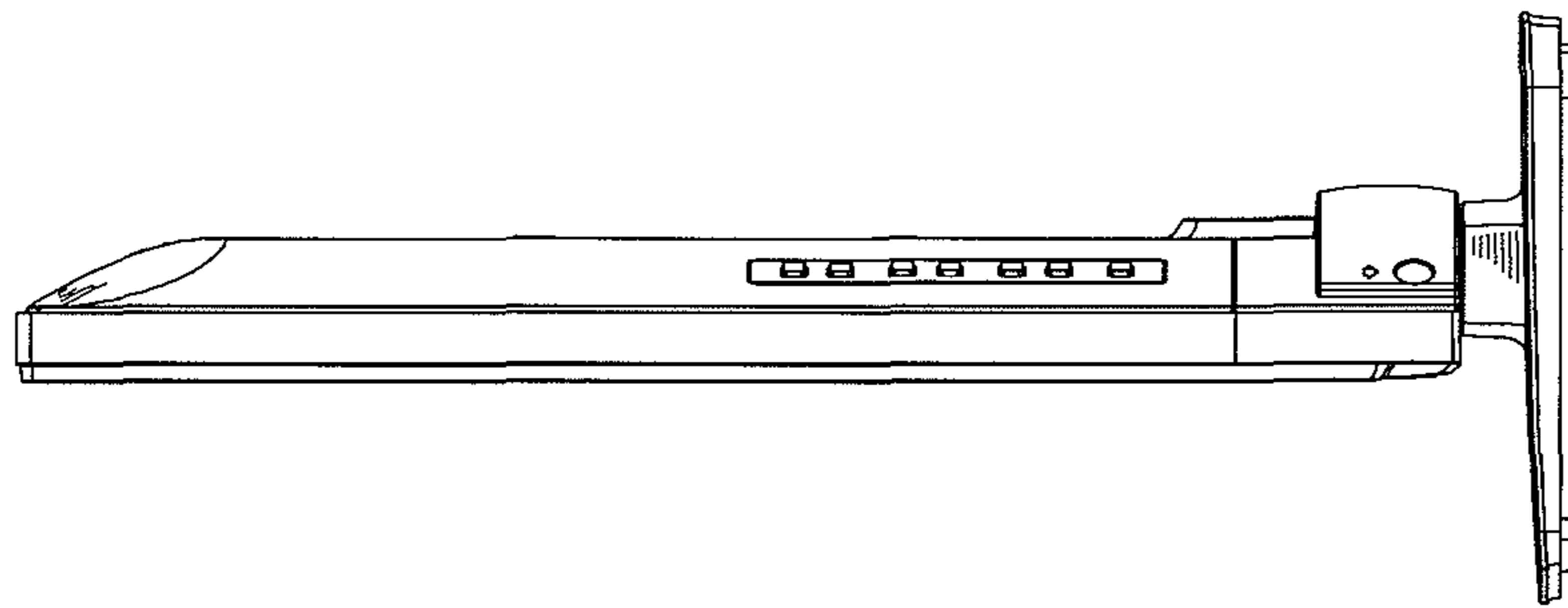


FIG. 5

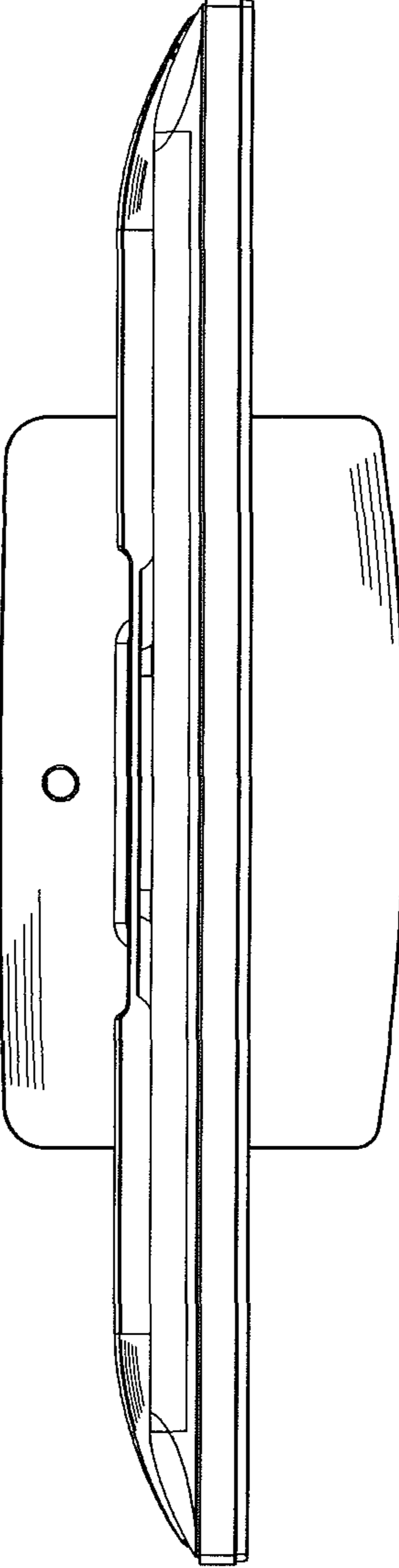


FIG.6

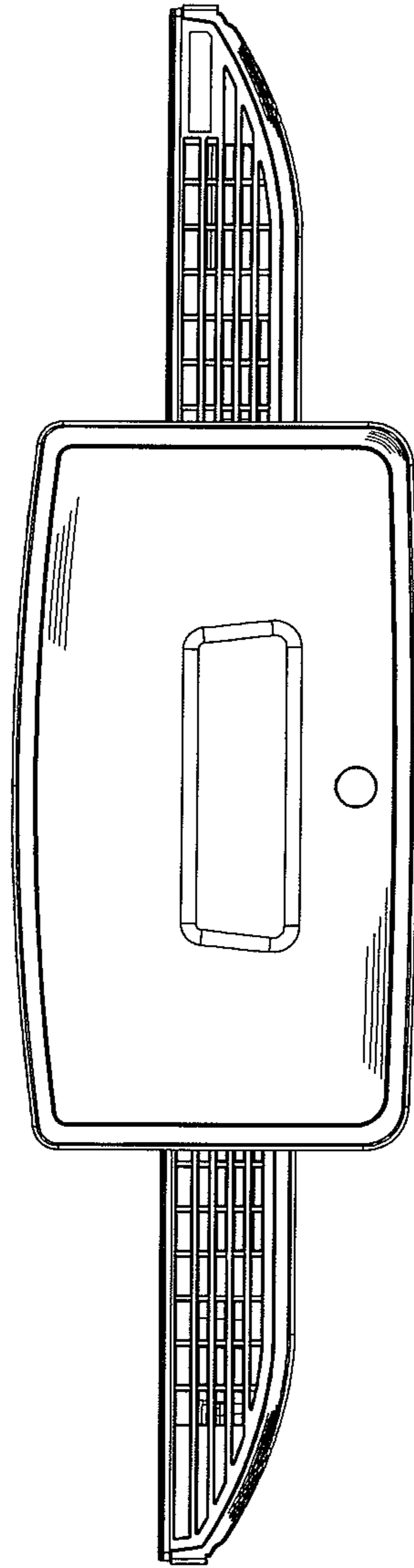


FIG.7

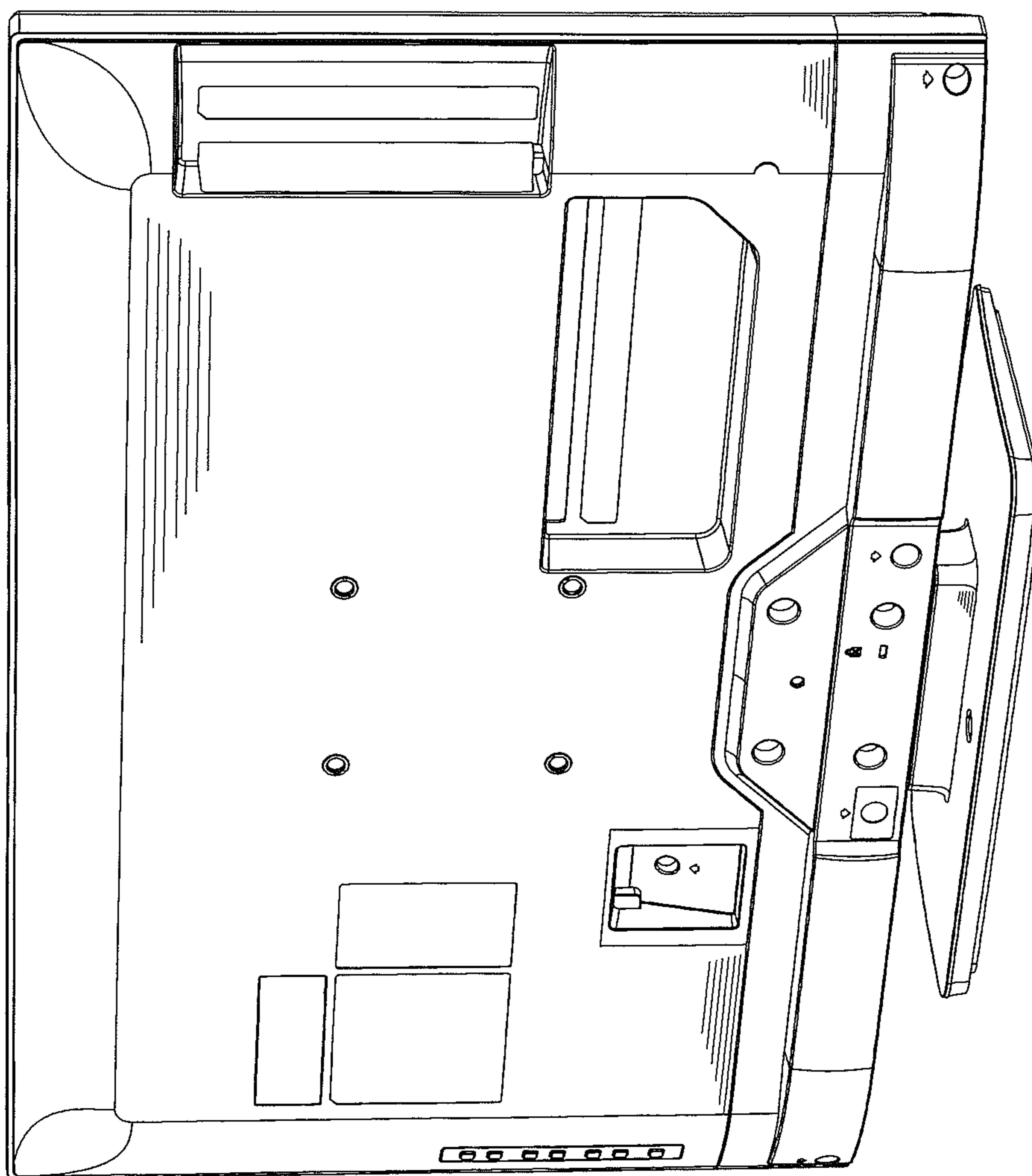


FIG. 8