



US00D729182S

(12) **United States Design Patent**  
**Carroll**

(10) **Patent No.:** **US D729,182 S**

(45) **Date of Patent:** **\*\* May 12, 2015**

(54) **INTEGRATED BOARD MOUNT DEVICE**

(71) Applicant: **Scott T. Carroll**, Lakeside, CA (US)

(72) Inventor: **Scott T. Carroll**, Lakeside, CA (US)

(73) Assignee: **LHV Power Corporation**, Santee, CA (US)

(\*\*) Term: **14 Years**

(21) Appl. No.: **29/488,905**

(22) Filed: **Apr. 24, 2014**

(51) **LOC (10) Cl.** ..... **13-03**

(52) **U.S. Cl.**  
USPC ..... **D13/182**

(58) **Field of Classification Search**  
USPC ..... D13/182; 174/68.1, 250, 255;  
248/346.01, 346.03; 361/679.01,  
361/679.02, 720, 740, 759, 760, 767, 825,  
361/829; 439/325, 329, 566  
See application file for complete search history.

(56) **References Cited**

**U.S. PATENT DOCUMENTS**

D210,287	S	*	2/1968	Venema	.....	D13/182
4,525,771	A	*	6/1985	Hanseler et al.	.....	361/786
D306,429	S	*	3/1990	Hiatt et al.	.....	D13/182
5,224,021	A	*	6/1993	Takada et al.	.....	361/774
5,446,623	A	*	8/1995	Kanetake	.....	361/760
5,459,640	A	*	10/1995	Moutrie et al.	.....	361/707
D461,170	S	*	8/2002	Williams et al.	.....	D13/182
D461,172	S	*	8/2002	Harnden et al.	.....	D13/182

D461,459	S	*	8/2002	Harnden et al.	.....	D13/182
D461,783	S	*	8/2002	Williams et al.	.....	D13/182
D461,784	S	*	8/2002	Harnden et al.	.....	D13/182
D462,062	S	*	8/2002	Williams et al.	.....	D13/182
D466,873	S	*	12/2002	Kasem et al.	.....	D13/182
D467,231	S	*	12/2002	Harnden et al.	.....	D13/182
D467,560	S	*	12/2002	Harnden et al.	.....	D13/182
D467,884	S	*	12/2002	Williams et al.	.....	D13/182
D467,885	S	*	12/2002	Harnden et al.	.....	D13/182
D471,165	S	*	3/2003	Williams et al.	.....	D13/182
D639,253	S	*	6/2011	Tsai et al.	.....	D13/182
2009/0109631	A1	*	4/2009	Imai et al.	.....	361/720

\* cited by examiner

*Primary Examiner* — Elizabeth J Oswecki

(74) *Attorney, Agent, or Firm* — Themis Law

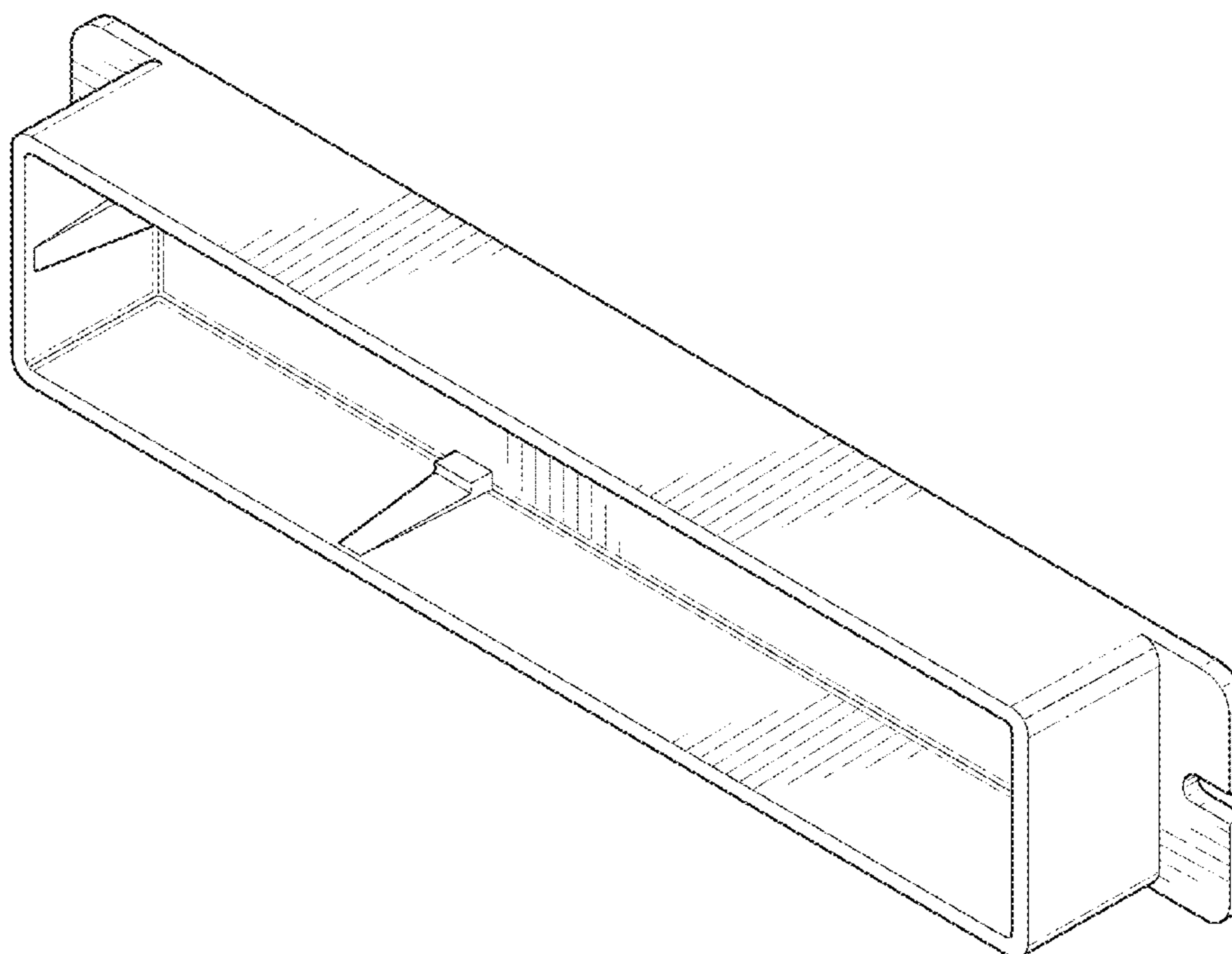
(57) **CLAIM**

The ornamental design for an integrated board mount device, as shown and described.

**DESCRIPTION**

FIG. 1 is a front view of an integrated board mount device showing my new design;  
FIG. 2 is a rear view thereof;  
FIG. 3 is a top view thereof;  
FIG. 4 is a bottom view thereof;  
FIG. 5 is a cross-sectional view taken along section line 5-5 in FIG. 3;  
FIG. 6 is a right side view thereof; and,  
FIG. 7 is a perspective view thereof.  
The broken lines shown in the drawings represent portions of the integrated board mount device that form no part of the claimed design.

**1 Claim, 6 Drawing Sheets**



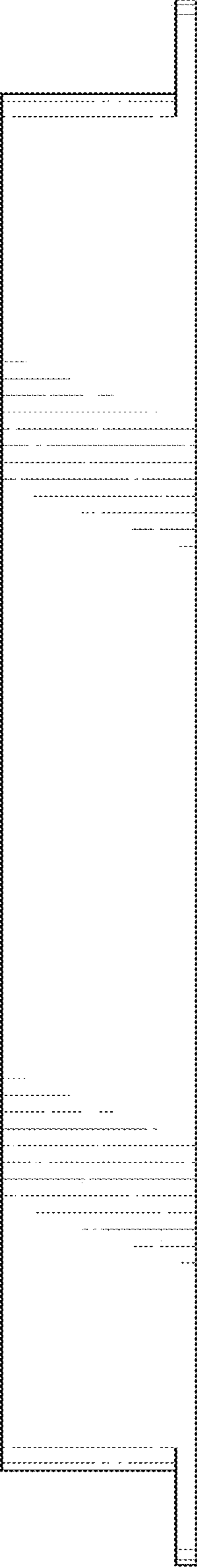


FIG. 1

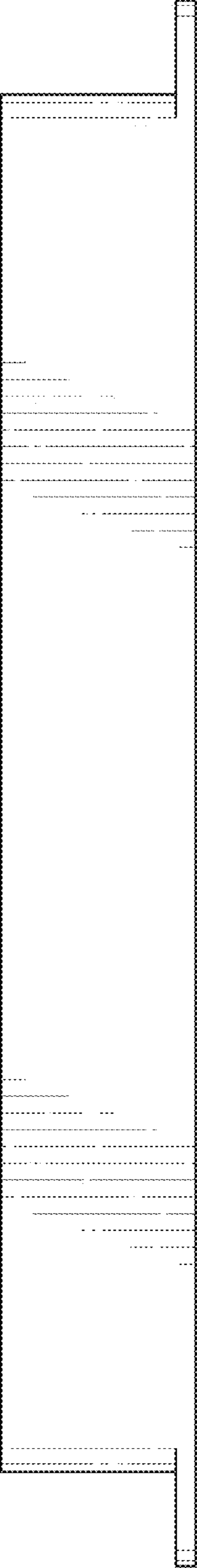


FIG. 2

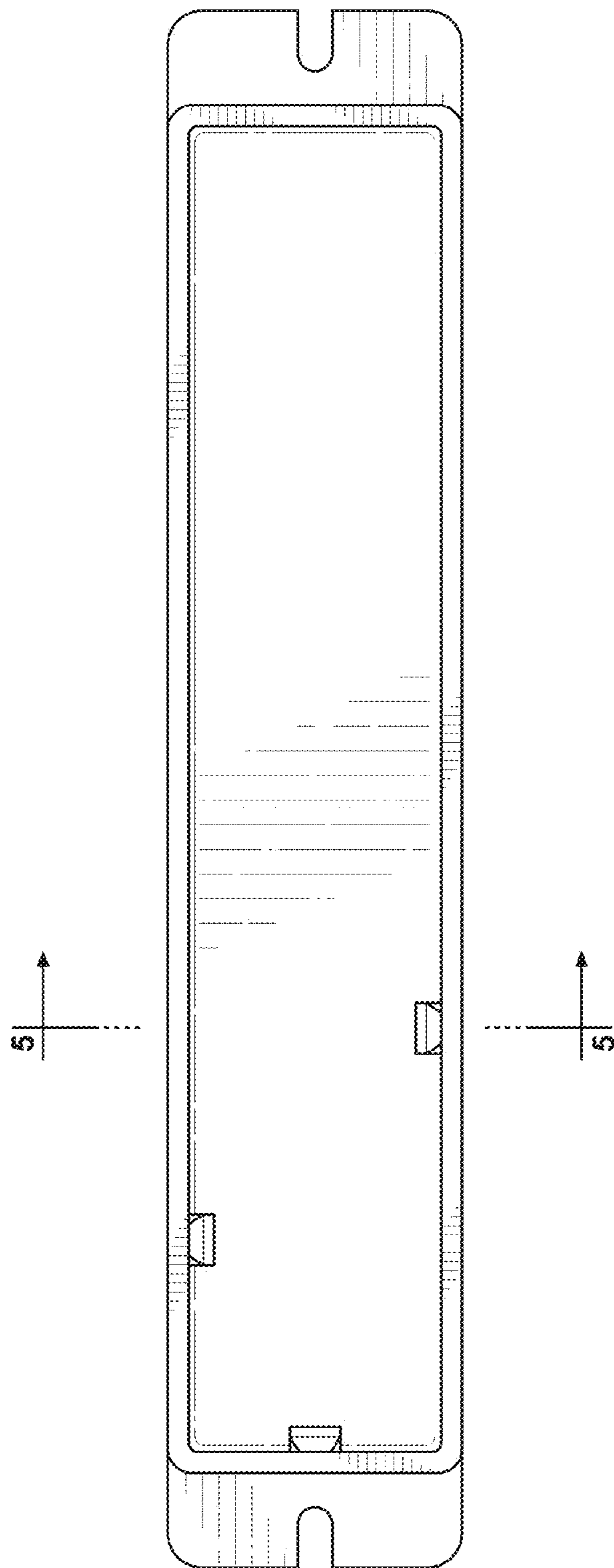
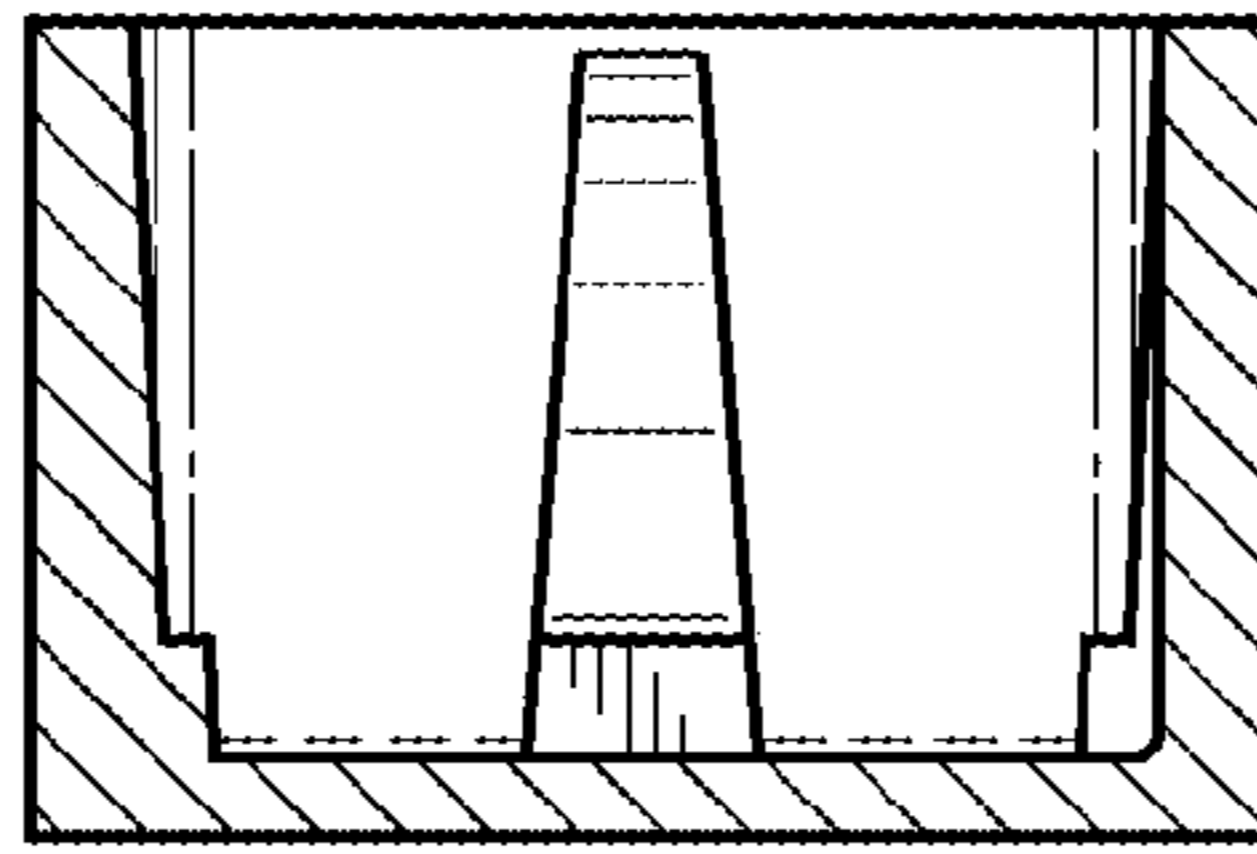


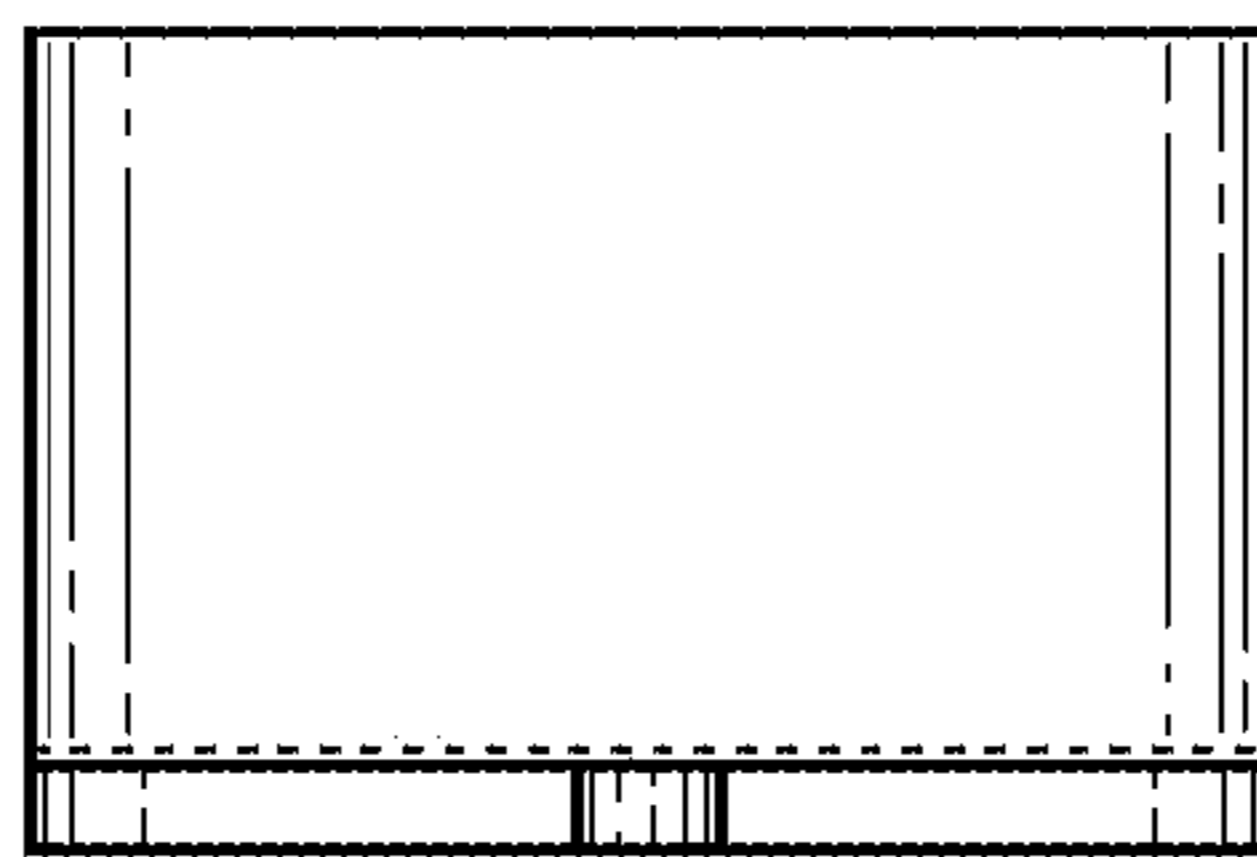
FIG. 3



FIG. 4



**FIG. 5**



**FIG. 6**

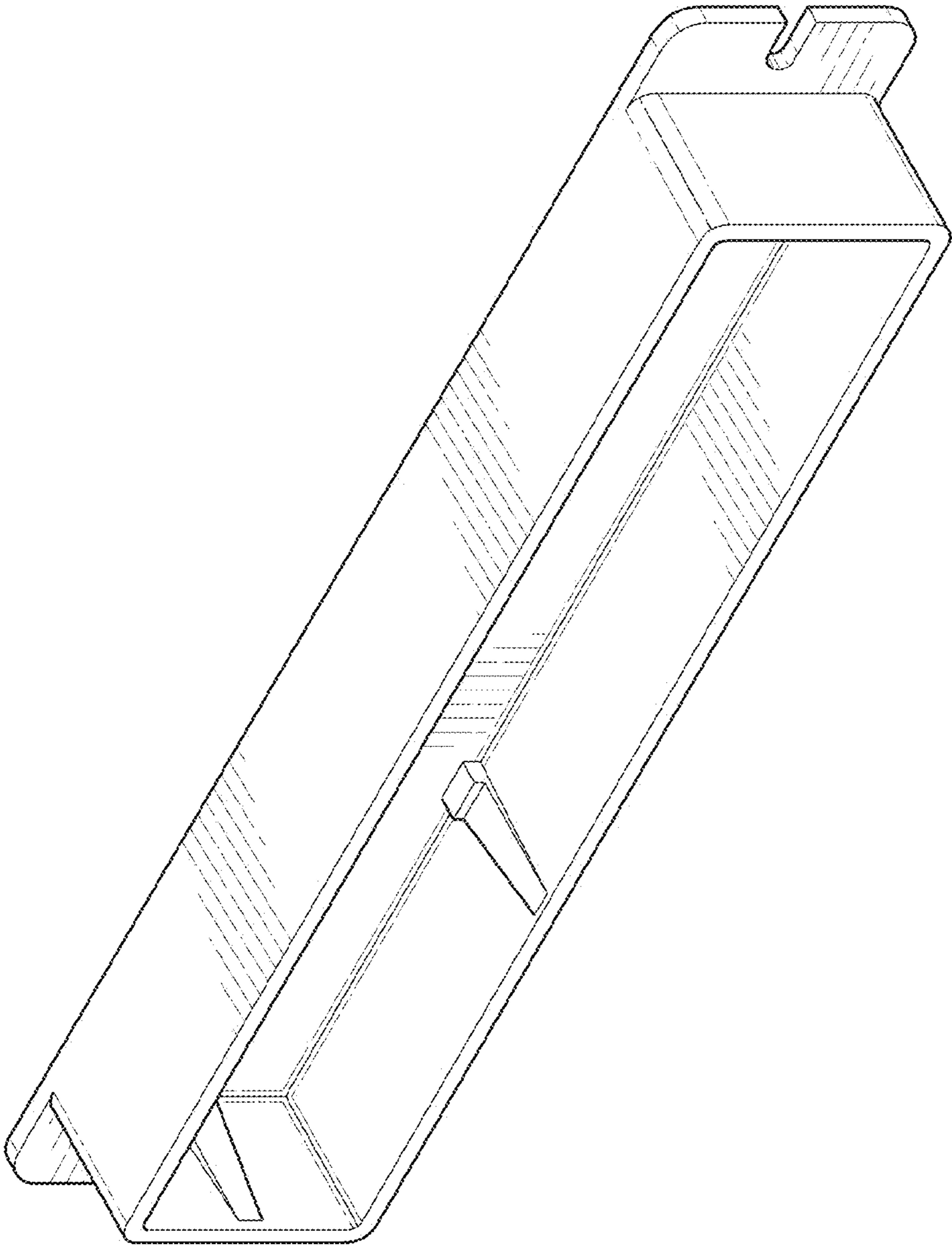


FIG. 7