



US00D729178S

(12) **United States Design Patent**
Kobayashi et al.

(10) **Patent No.:** **US D729,178 S**

(45) **Date of Patent:** **** May 12, 2015**

- (54) **FUSE**
- (71) Applicant: **Pacific Engineering Corp.**, Ogaki-shi,
Gifu-ken (JP)
- (72) Inventors: **Tatsunori Kobayashi**, Ogaki (JP);
Masahiro Kimura, Ogaki (JP)
- (73) Assignee: **Pacific Engineering Corp.**, Gifu-ken
(JP)
- (**) Term: **14 Years**
- (21) Appl. No.: **29/473,898**
- (22) Filed: **Nov. 26, 2013**
- (30) **Foreign Application Priority Data**
 - May 30, 2013 (JP) 2013-011950
 - May 30, 2013 (JP) 2013-011951
- (51) **LOC (10) Cl.** **13-03**
- (52) **U.S. Cl.**
USPC **D13/161**
- (58) **Field of Classification Search**
USPC D13/103, 104, 110, 112, 123, 128, 130,
D13/133, 139.1, 139.3, 158-161, 164, 184,
D13/199, 177; 257/427; 335/202; 361/62;
200/50.07, 295; 439/606, 620,
439/620.27-620.29, 638; 337/186
See application file for complete search history.

D517,988 S *	3/2006	Ihde et al.	D13/119
D555,600 S *	11/2007	Ohta	D13/161
D567,765 S *	4/2008	Ohta	D13/161
D567,766 S *	4/2008	Ohta	D13/161
D606,033 S *	12/2009	Sonntag	D13/184
D607,841 S *	1/2010	Kudou et al.	D13/161
D659,088 S *	5/2012	Steinberg	D13/106
D688,212 S *	8/2013	Scheucher	D13/158
2003/0222752 A1 *	12/2003	Ohashi et al.	337/186

FOREIGN PATENT DOCUMENTS

JP D1249839 9/2005

* cited by examiner

Primary Examiner — Thomas Johannes
Assistant Examiner — Shawn T Gingrich
(74) *Attorney, Agent, or Firm* — Kilpatrick Townsend &
Stockton LLP

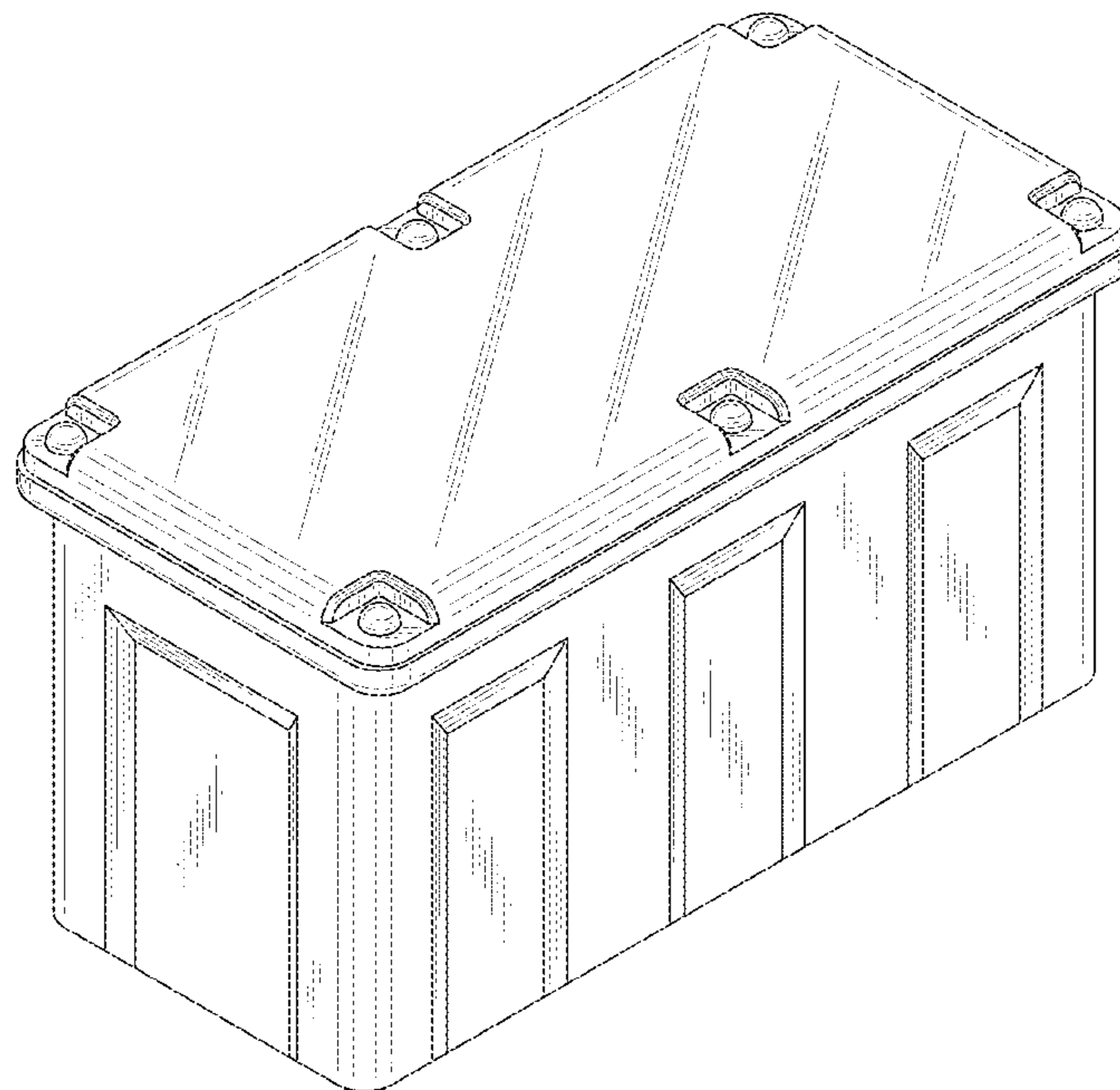
(57) **CLAIM**
The ornamental design for a fuse, as shown and described.

DESCRIPTION

FIG. 1 is a front, top and left side perspective view of a fuse showing our new design;
FIG. 2 is a front view thereof, the rear view being identical to the front view;
FIG. 3 is a top plan view thereof;
FIG. 4 is a bottom plan view thereof; and,
FIG. 5 is a right side view thereof, the left side view being identical to the right side view.
The oblique shade lines shown in the drawings represent that the cover is transparent. The broken line portion of the figure drawings is included to show unclaimed subject matter only and forms no part of the claimed design.

1 Claim, 5 Drawing Sheets

- (56) **References Cited**
U.S. PATENT DOCUMENTS
 - D375,940 S * 11/1996 Shimizu et al. D13/161
 - 5,739,739 A * 4/1998 Muramatsu et al. 337/234
 - D461,169 S * 8/2002 Onoda et al. D13/161



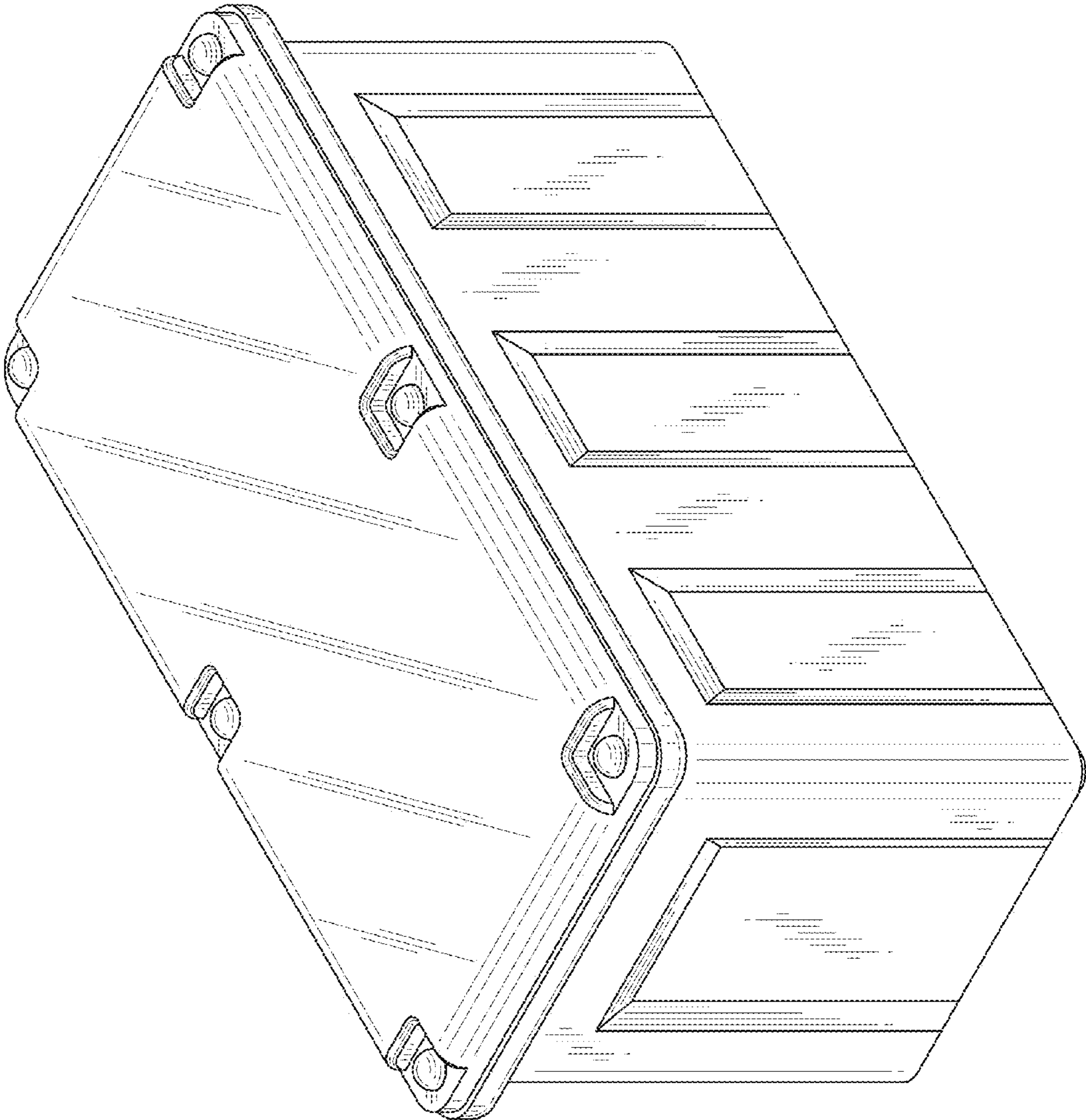


Fig. 1

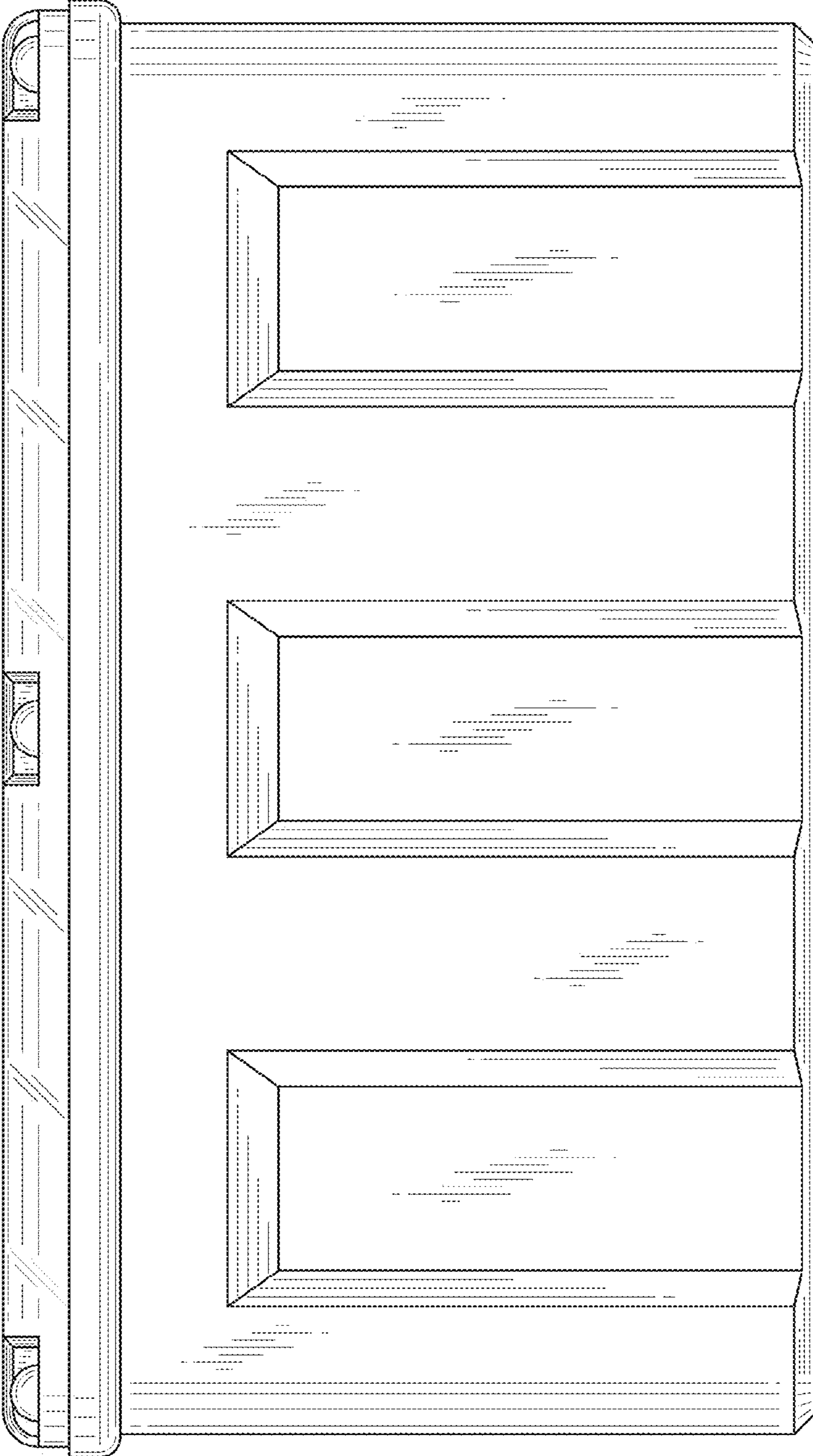


Fig. 2

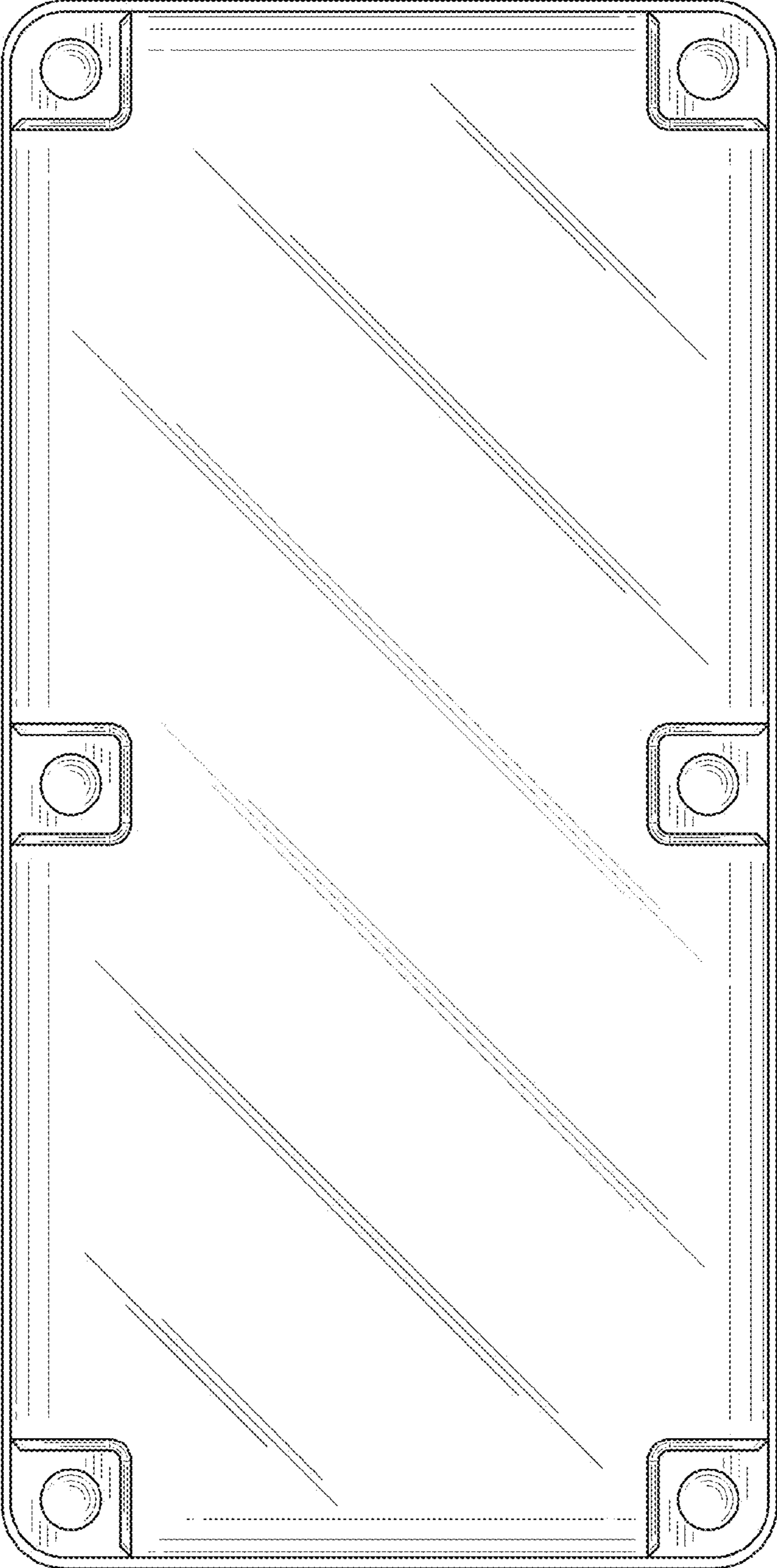
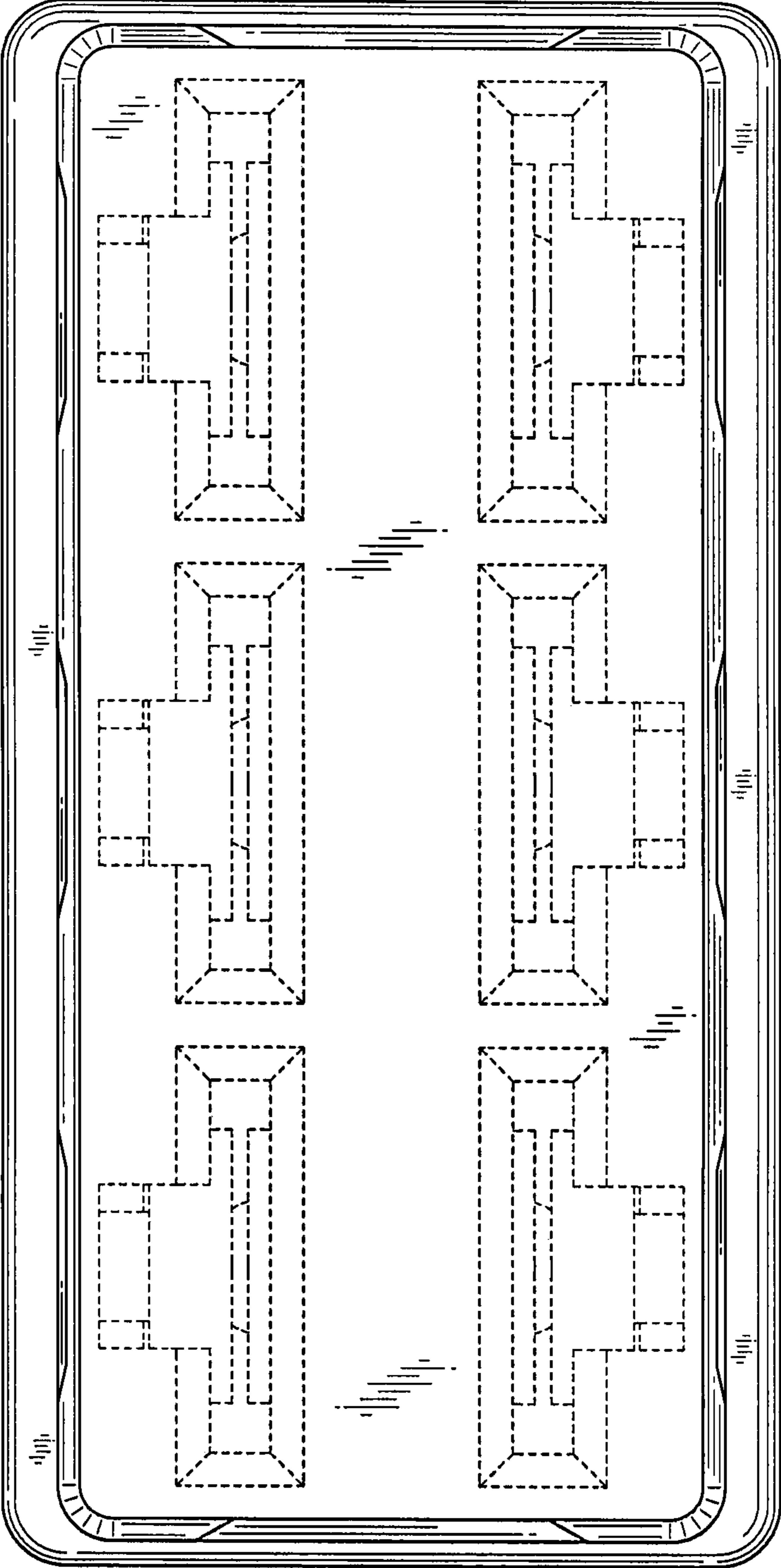


Fig. 3

Fig. 4



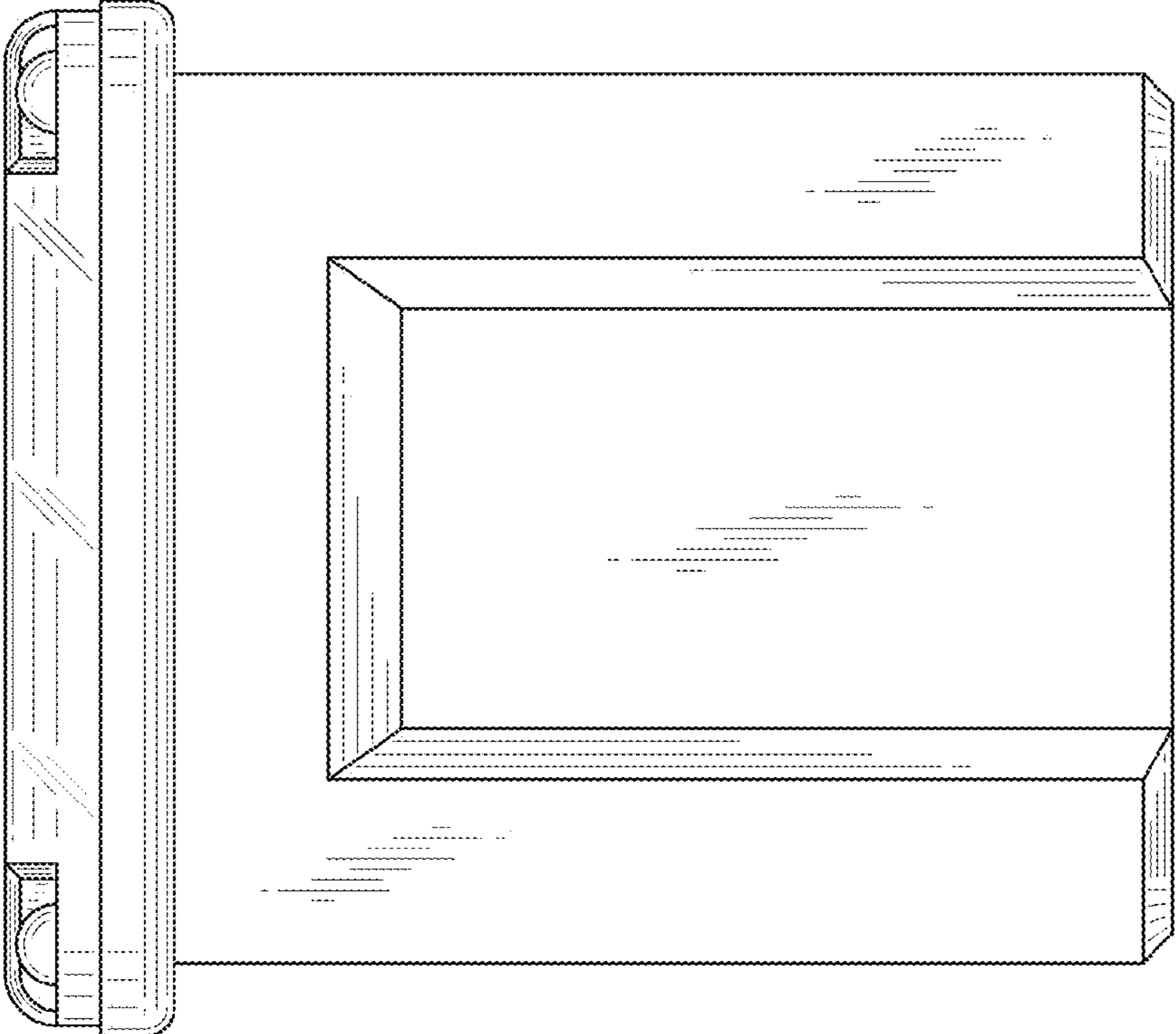


Fig. 5