



US00D729177S

(12) **United States Design Patent**
Baldwin et al.

(10) **Patent No.:** **US D729,177 S**
(45) **Date of Patent:** **** May 12, 2015**

- (54) **HALF ROUND CABLE COVER**
- (71) Applicants: **Jeffrey Baldwin**, Desert Hills, AZ (US);
John Klein, Gilbert, AZ (US); **Ryan Liebengood**, Gilbert, AZ (US)
- (72) Inventors: **Jeffrey Baldwin**, Desert Hills, AZ (US);
John Klein, Gilbert, AZ (US); **Ryan Liebengood**, Gilbert, AZ (US)

D471,877 S *	3/2003	Dyer et al.	D13/155
D498,211 S	11/2004	Thibault		
D503,968 S	4/2005	Ruddick		
D503,969 S	4/2005	Ruddick		
D504,938 S	5/2005	Ruddick		
D539,752 S	4/2007	Ruddick		
D541,143 S	4/2007	Ruddick		
7,696,434 B2	4/2010	Ruddick		
D669,035 S	10/2012	Ruddick		
D671,502 S	11/2012	Ruddick		
D683,318 S	5/2013	Ruddick		

(**) Term: **14 Years**

* cited by examiner

(21) Appl. No.: **29/495,859**

Primary Examiner — Derrick Holland

(22) Filed: **Jul. 4, 2014**

(74) *Attorney, Agent, or Firm* — Ryan Liebengood

(51) **LOC (10) Cl.** **13-03**

(57) **CLAIM**

We claim the ornamental design for a half round cable cover, as shown and described.

(52) **U.S. Cl.**

USPC **D13/155**

DESCRIPTION

(58) **Field of Classification Search**

USPC D13/155, 123, 133, 153, 154, 156, 157,
D13/184, 199; D8/349, 356, 394, 396;
174/66, 68.1, 68.3, 72 A, 71 C, 95, 262,
174/658; 138/156, 165, 166, 167;
248/316.1, 316.7

FIG. 1 is an endwise view of a half round cable cover showing our design;

FIG. 2 is a perspective view thereof;

FIG. 3 is a bottom plan view thereof;

FIG. 4 is a top plan view thereof;

FIG. 5 is a rear elevational view thereof; and,

FIG. 6 is a front elevational view thereof.

See application file for complete search history.

The broken lines shown represent unclaimed subject matter and form no part of the claimed design.

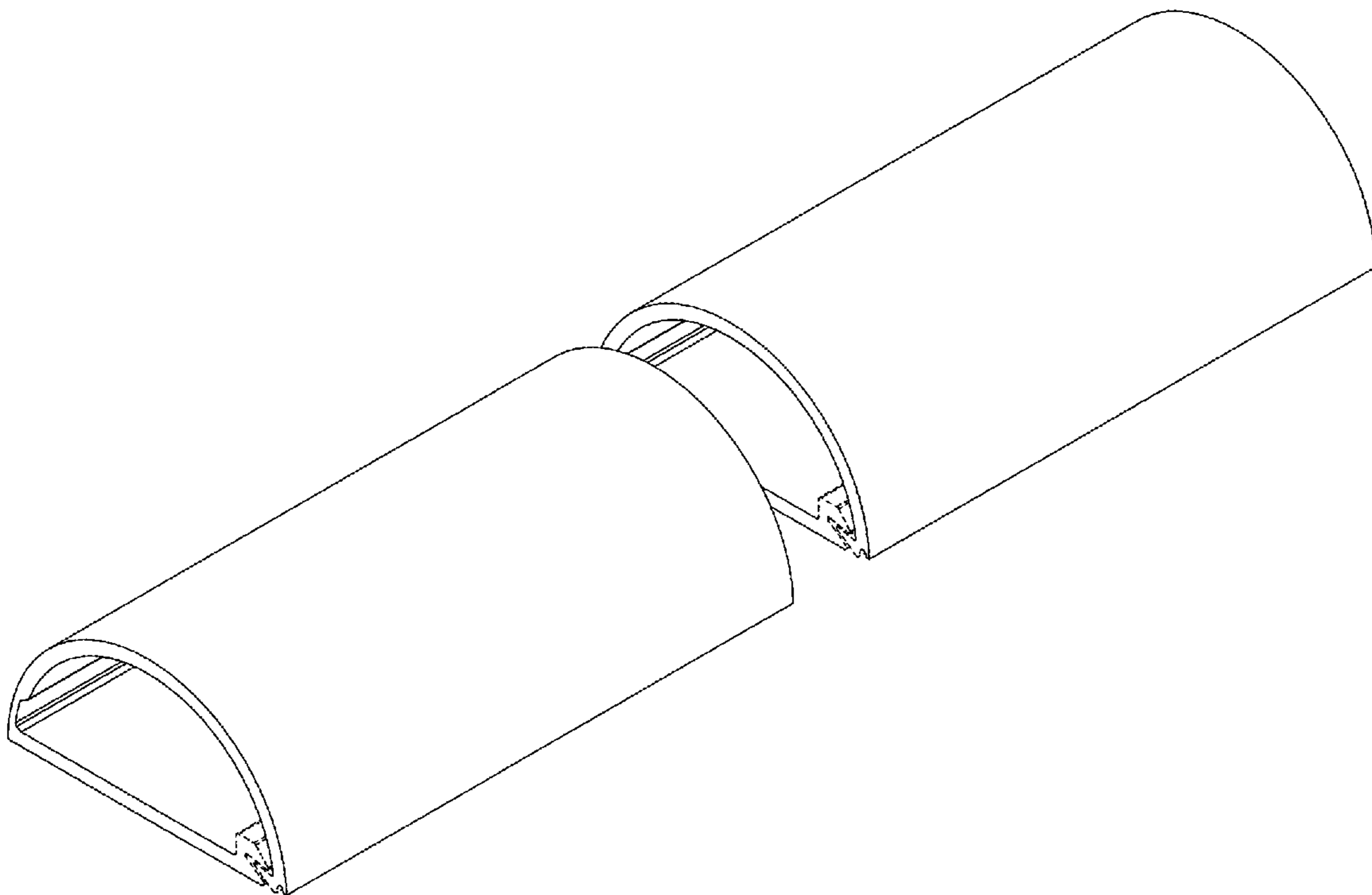
The half round cable cover is shown with a symbolic break in its length. The appearance of any portion of the article between the break lines forms no part of the claimed design.

(56) **References Cited**

U.S. PATENT DOCUMENTS

4,245,924 A *	1/1981	Fouss et al.	405/45
4,530,865 A *	7/1985	Sprenger	428/35.7
5,235,136 A *	8/1993	Santucci et al.	174/68.3
6,333,461 B1 *	12/2001	Marcou et al.	174/68.3

1 Claim, 2 Drawing Sheets



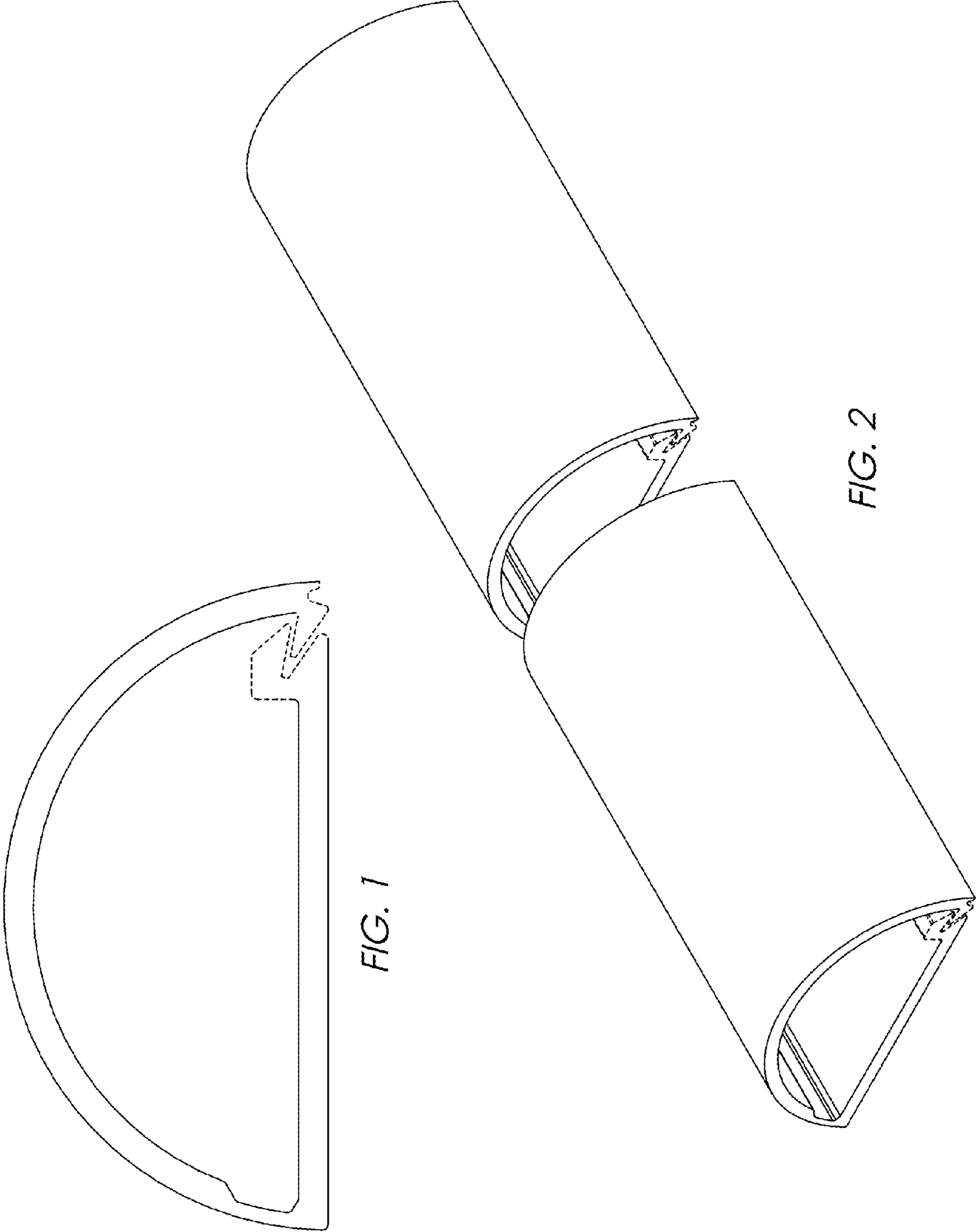


FIG. 1

FIG. 2

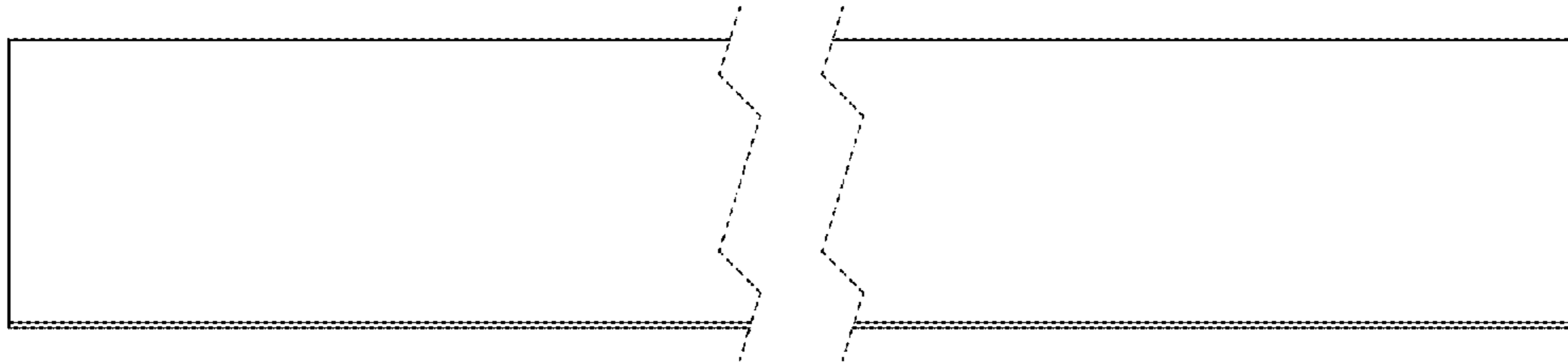


FIG. 6

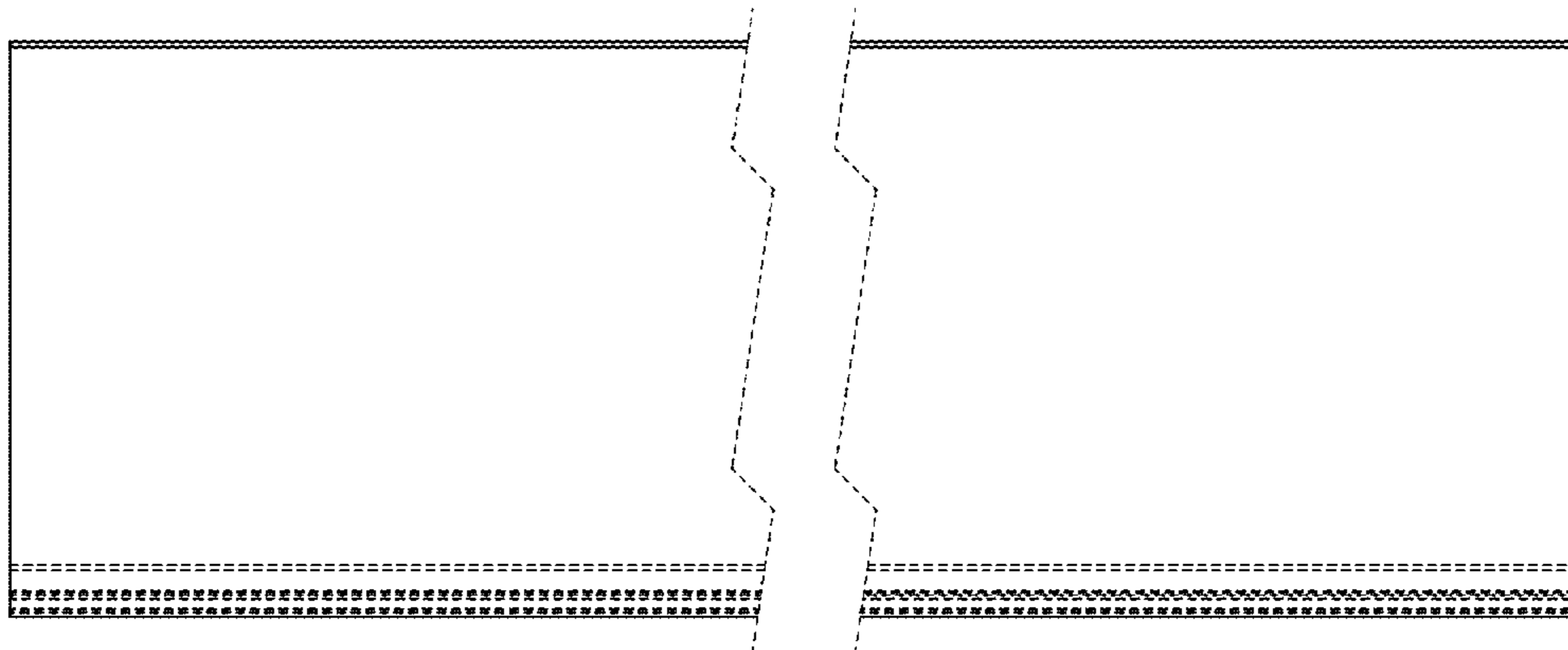


FIG. 5

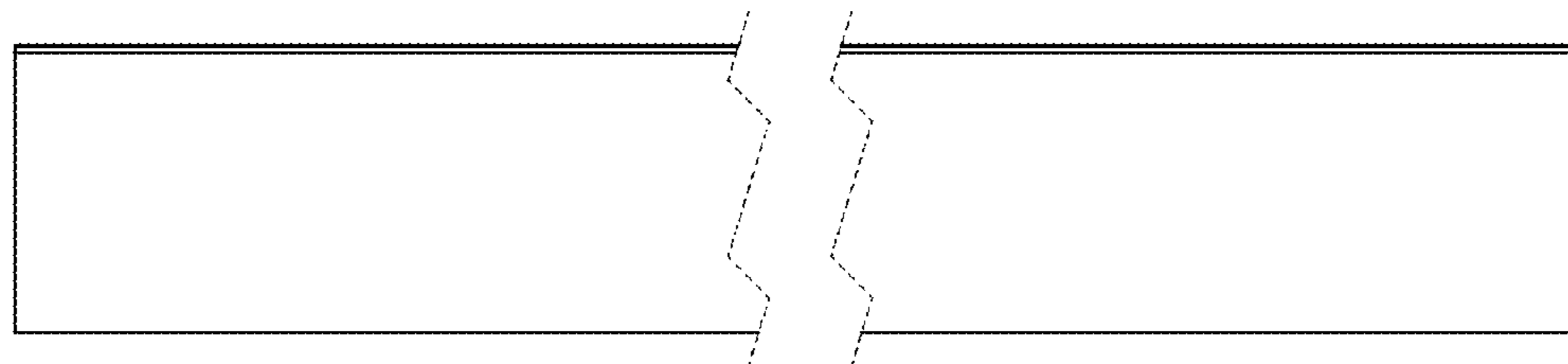


FIG. 4

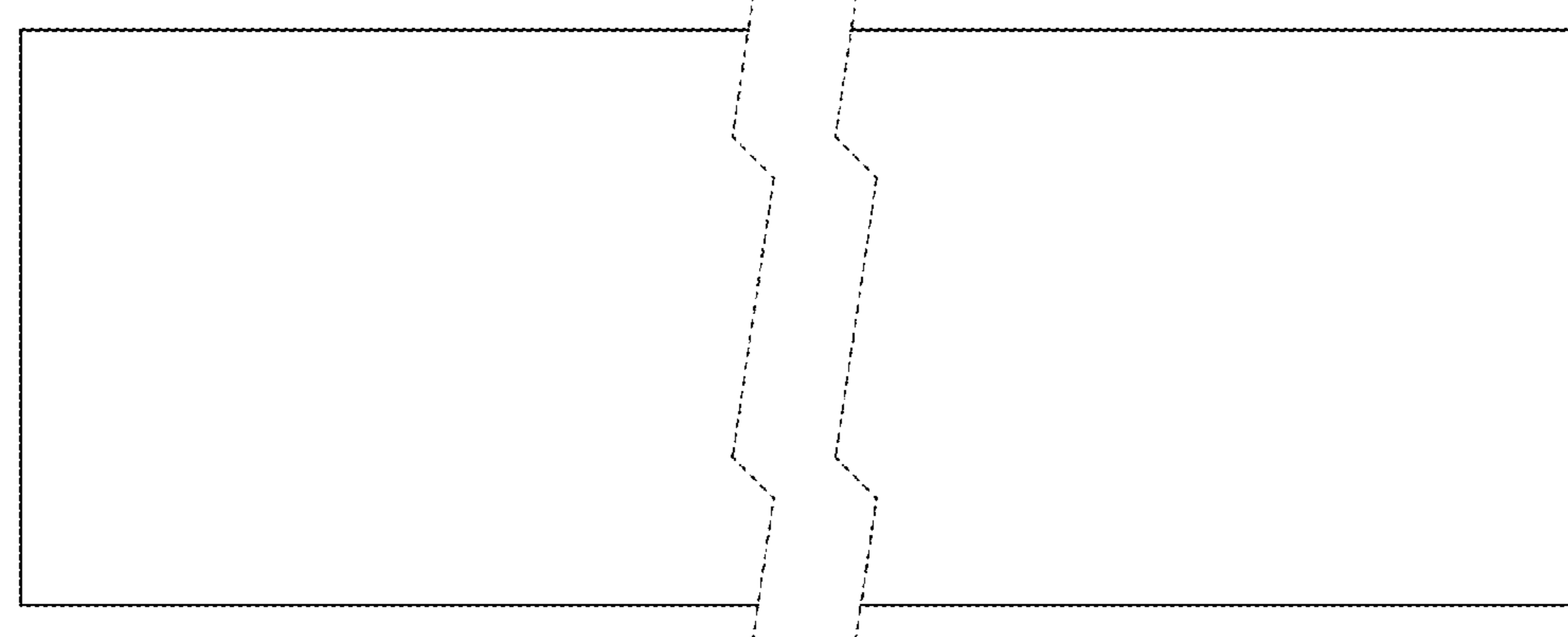


FIG. 3