



US00D729176S

(12) **United States Design Patent**
Herring et al.

(10) **Patent No.:** **US D729,176 S**

(45) **Date of Patent:** **** May 12, 2015**

(54) **DESKTOP CABLE COVER**

D560,474 S * 1/2008 Thru D8/382
D607,125 S * 12/2009 Dudash D25/164
D626,515 S * 11/2010 Winer D13/155

(71) Applicant: **Next Technologies, Inc.**, Georgetown,
TX (US)

(72) Inventors: **Jason Brian Herring**, Georgetown, TX
(US); **Shane Michael Gilbreath**,
Georgetown, TX (US)

(73) Assignee: **Next Technologies, Inc.**, Georgetown,
TX (US)

(**) Term: **14 Years**

(21) Appl. No.: **29/488,759**

(22) Filed: **Apr. 23, 2014**

(51) **LOC (10) Cl.** **13-03**

(52) **U.S. Cl.**
USPC **D13/155; D13/156**

(58) **Field of Classification Search**
USPC D13/155, 118, 120, 122, 123, 133, 153,
D13/154, 156, 184, 199; 174/50, 60, 61, 64;
439/350, 345, 358, 445, 606, 607.01,
439/607.41, 607.44, 750; D8/349, 350,
D8/354, 356; D25/164

See application file for complete search history.

(56) **References Cited**

U.S. PATENT DOCUMENTS

D395,816 S * 7/1998 Colodny D8/356
6,367,744 B1 * 4/2002 Ebersole 248/58
D483,334 S * 12/2003 Caswell D13/155
7,041,898 B2 * 5/2006 Stempinski et al. 174/488

OTHER PUBLICATIONS

Snapshot of Applicant's website from Jul. 30, 2013 for a Vanity
Cover: <http://web.archive.org/web/20130730044237/http://www.nextdesks.com/options>.

Snapshot of Applicant's website from Dec. 23, 2012 for a Vanity
Cover: <http://web.archive.org/web/20121223071449/http://www.nextdesks.com/options>.

* cited by examiner

Primary Examiner — Derrick Holland

(74) *Attorney, Agent, or Firm* — Carrie Stroup

(57) **CLAIM**

The ornamental design for a desktop cable cover, as shown
and described.

DESCRIPTION

FIG. 1 is a top perspective view of a desktop cable cover
showing our new design;

FIG. 2 is a bottom perspective view thereof;

FIG. 3 is a left side view thereof, the right side view being a
mirror image;

FIG. 4 is a back elevation view thereof;

FIG. 5 is a front elevation view thereof;

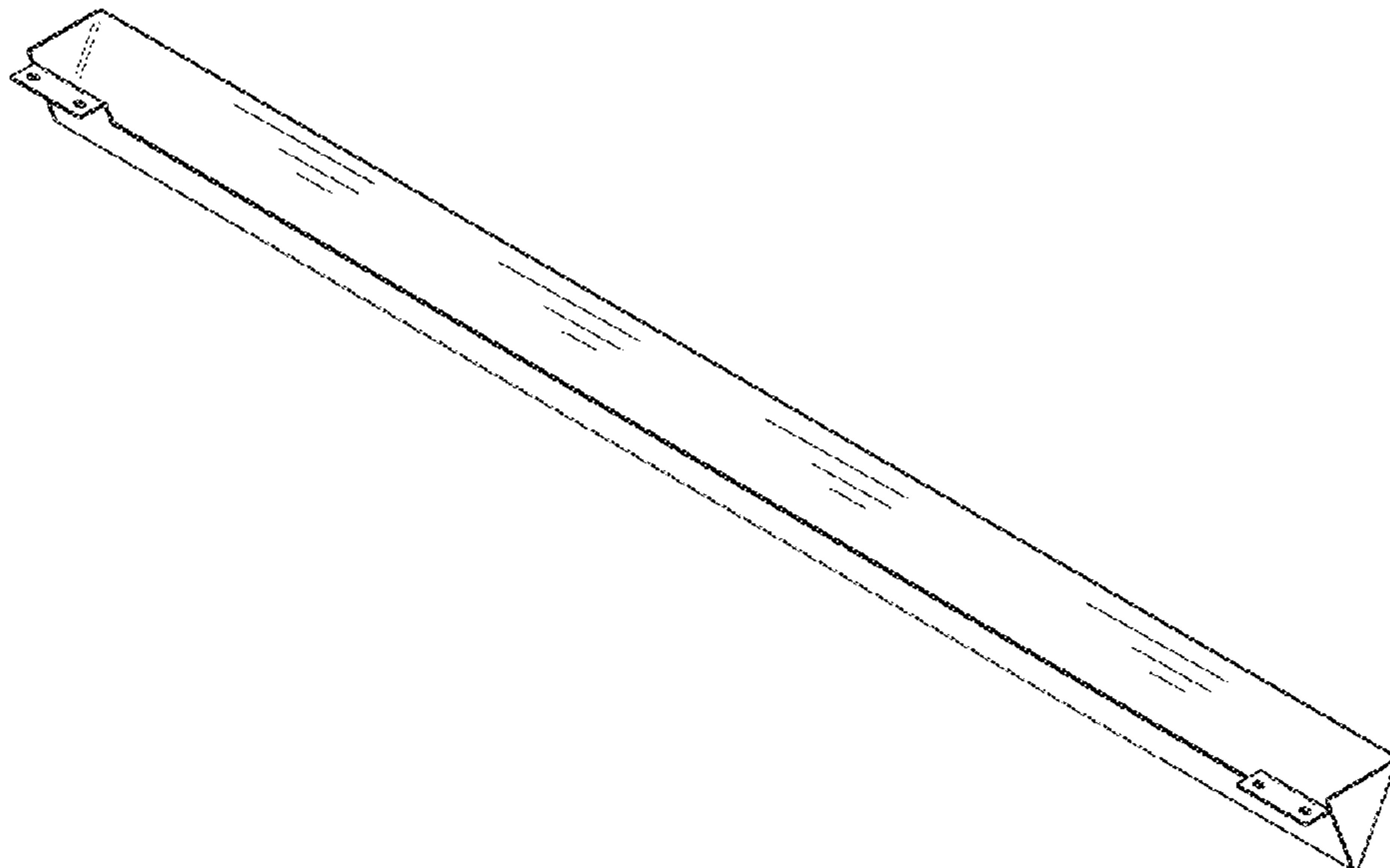
FIG. 6 is a top plan view thereof;

FIG. 7 is a bottom plan view thereof; and,

FIG. 8 is a perspective view thereof, shown in environmental
use.

The broken lines in FIG. 8 depict environmental subject mat-
ter only and form no part of the claimed design.

1 Claim, 3 Drawing Sheets



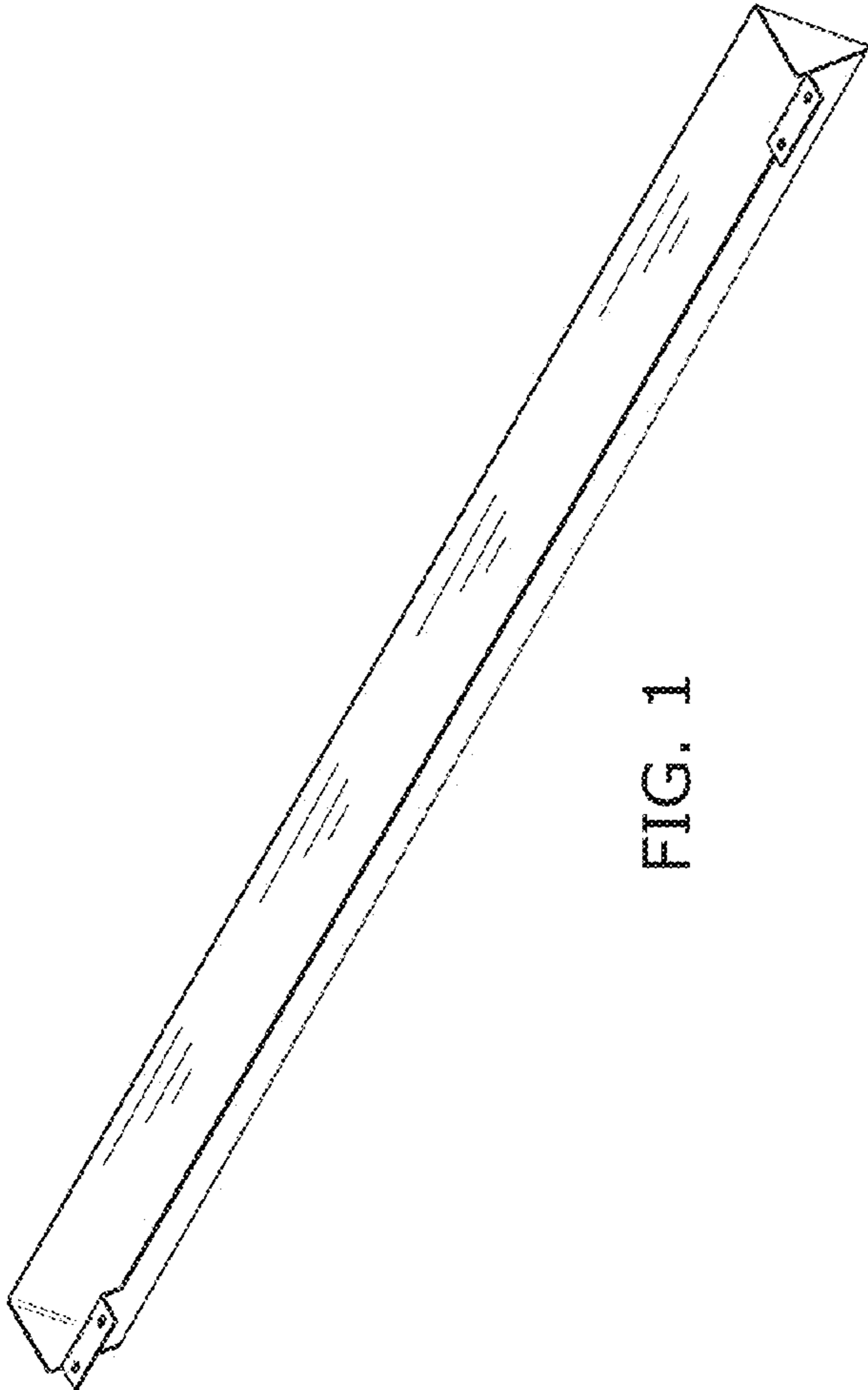


FIG. 1

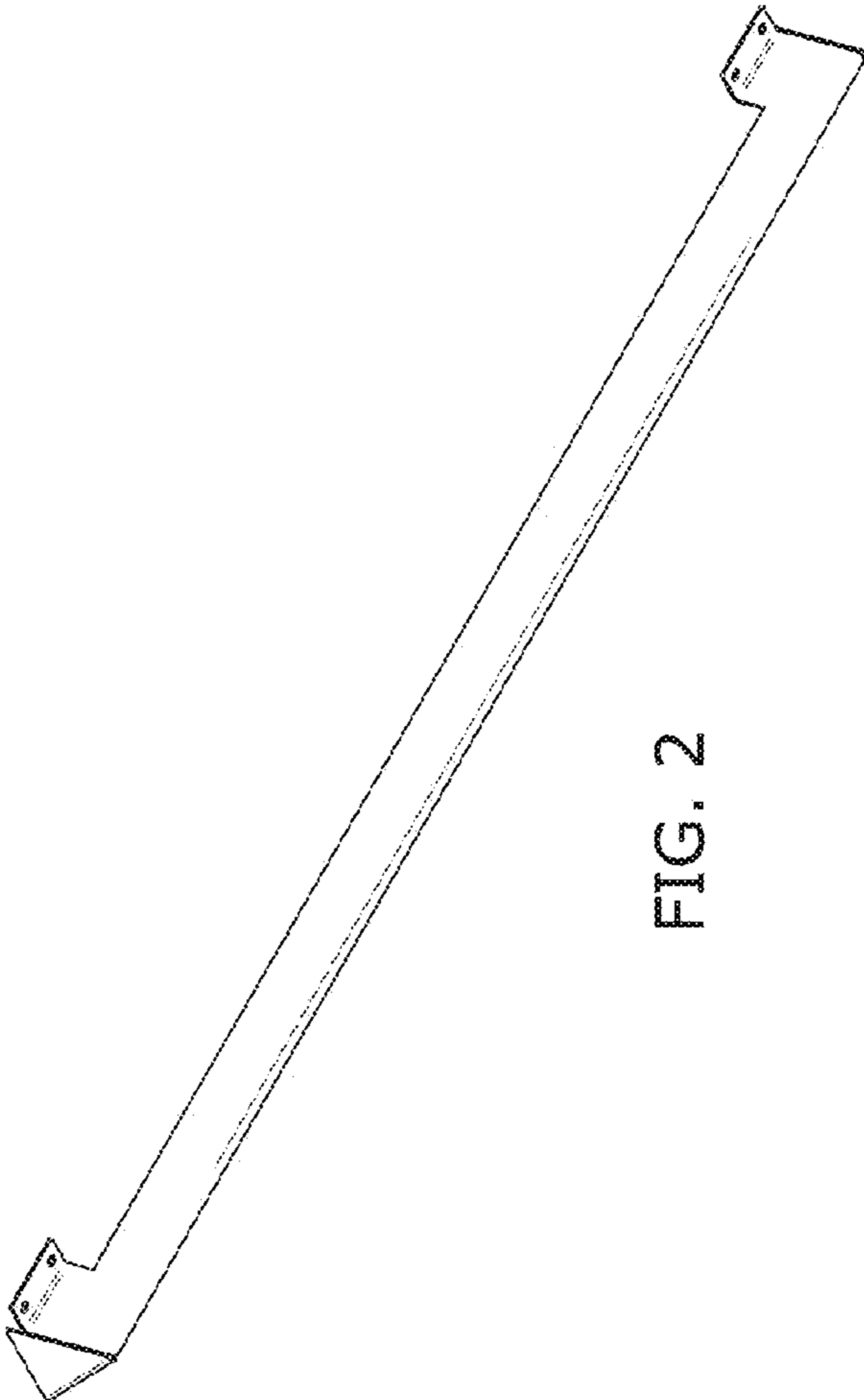


FIG. 2

FIG. 3

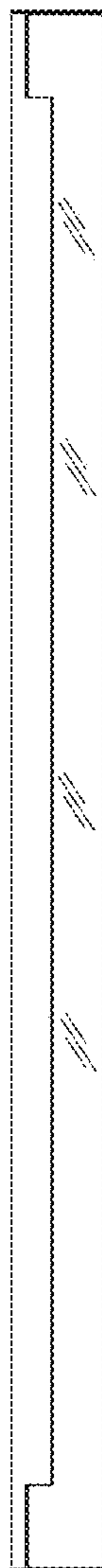
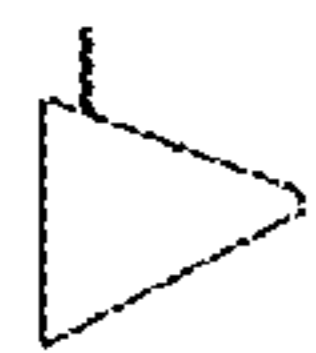


FIG. 4



FIG. 5

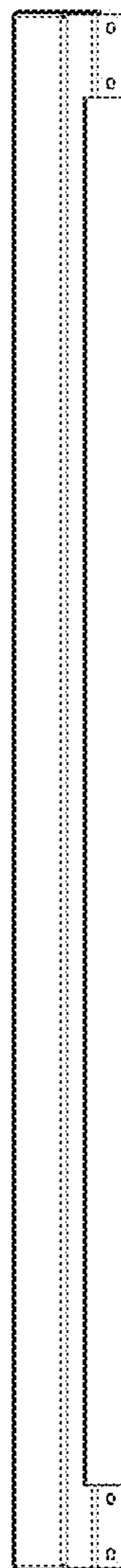


FIG. 6

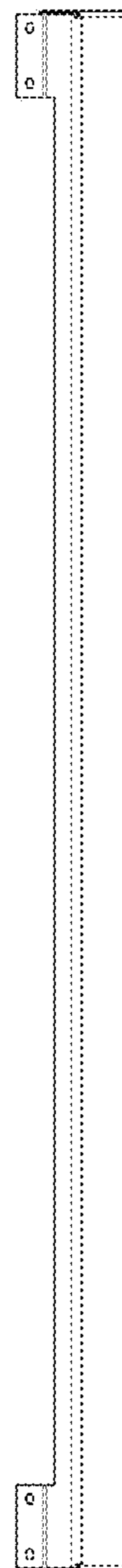


FIG. 7

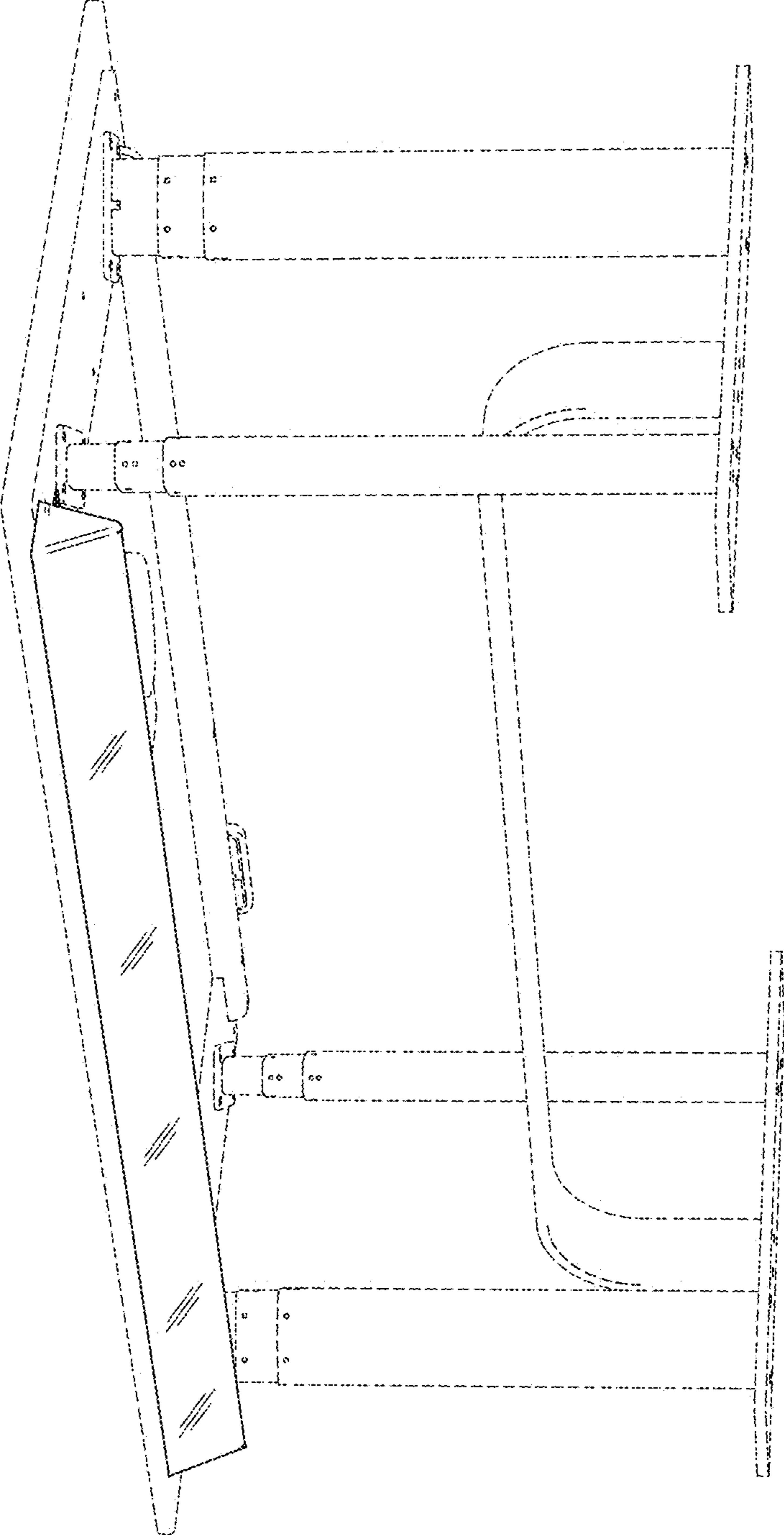


FIG. 8