



US00D729172S

(12) **United States Design Patent**  
**Yokoo**

(10) **Patent No.:** **US D729,172 S**

(45) **Date of Patent:** **\*\* May 12, 2015**

(54) **ELECTRICAL CONNECTOR**

(71) Applicant: **Japan Aviation Electronics Industry, Limited**, Tokyo (JP)

(72) Inventor: **Hiroyuki Yokoo**, Tokyo (JP)

(73) Assignee: **Japan Aviation Electronics Industry, Limited**, Tokyo (JP)

(\*\*) Term: **14 Years**

(21) Appl. No.: **29/480,976**

(22) Filed: **Jan. 31, 2014**

(30) **Foreign Application Priority Data**

Aug. 6, 2013 (JP) ..... 2013-017876

(51) **LOC (10) Cl.** ..... **13-03**

(52) **U.S. Cl.**  
USPC ..... **D13/147**

(58) **Field of Classification Search**  
USPC ..... D13/147, 154, 184, 199; 439/62, 260,  
439/325, 329, 395, 422, 492-499  
See application file for complete search history.

(56) **References Cited**

**U.S. PATENT DOCUMENTS**

D470,110 S *	2/2003	Yamane	.....	D13/147
D481,998 S *	11/2003	Saito et al.	.....	D13/147
D481,999 S *	11/2003	Saito et al.	.....	D13/147
D500,985 S *	1/2005	Yamane et al.	.....	D13/147
D517,017 S *	3/2006	Yokoo et al.	.....	D13/147

\* cited by examiner

*Primary Examiner* — Daniel Bui

(74) *Attorney, Agent, or Firm* — Westerman, Hattori, Daniels & Adrian, LLP

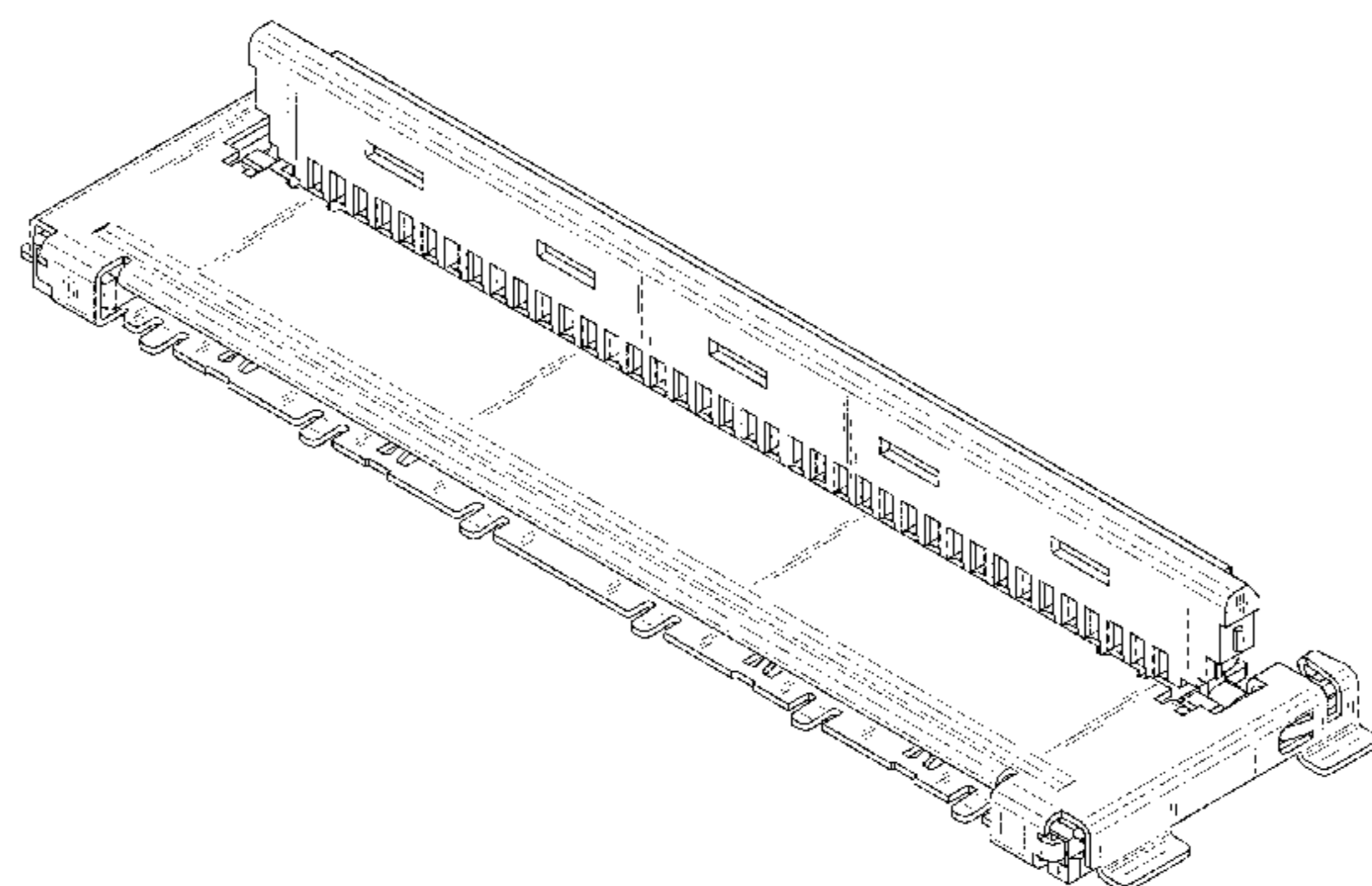
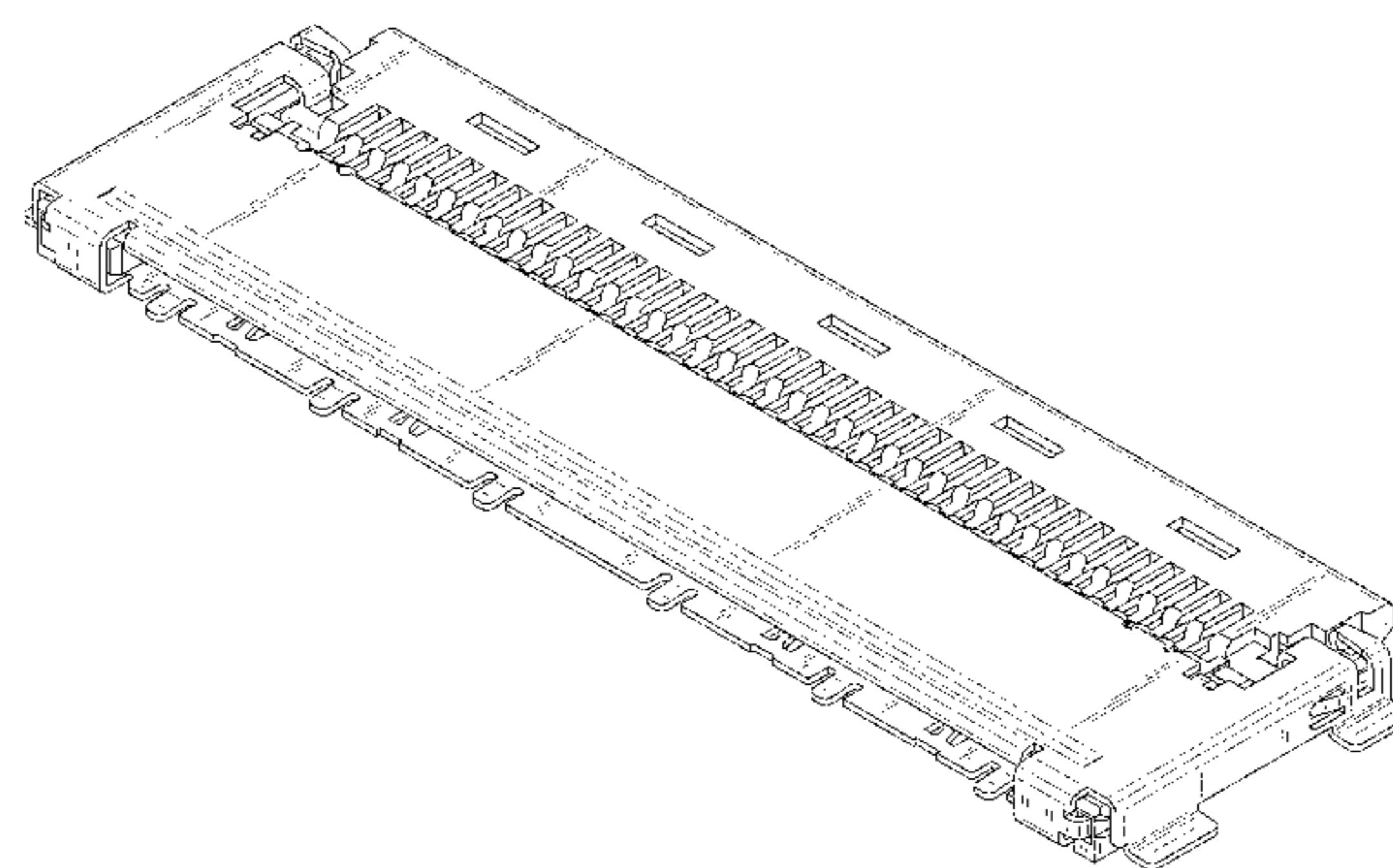
(57) **CLAIM**

The ornamental design for an electrical connector, as shown and described.

**DESCRIPTION**

FIG. 1 is a front elevational view of an electrical connector, showing my new design;  
 FIG. 2 is a rear elevational view thereof;  
 FIG. 3 is a right side elevational view thereof;  
 FIG. 4 is a left side elevational view thereof;  
 FIG. 5 is a top plan view thereof;  
 FIG. 6 is a bottom plan view thereof;  
 FIG. 7 is a right front perspective view showing the top thereof;  
 FIG. 8 is a left rear perspective view showing the bottom thereof;  
 FIG. 9 is a right front perspective view showing the bottom thereof;  
 FIG. 10 is a left rear perspective view showing the top thereof;  
 FIG. 11 is a right front perspective view thereof, in an open state;  
 FIG. 12 is a left rear perspective view thereof, in an open state; and,  
 FIG. 13 is a right side elevational view thereof, in an open state.  
 The broken lines in the drawings are included to show unclaimed environment only and form no part of the claimed design.

**1 Claim, 13 Drawing Sheets**



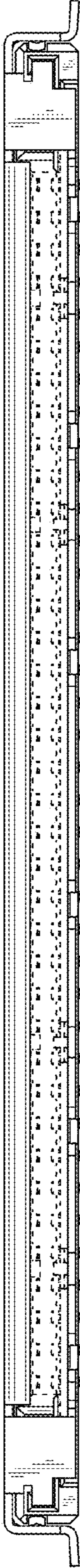


FIG.1



FIG.2

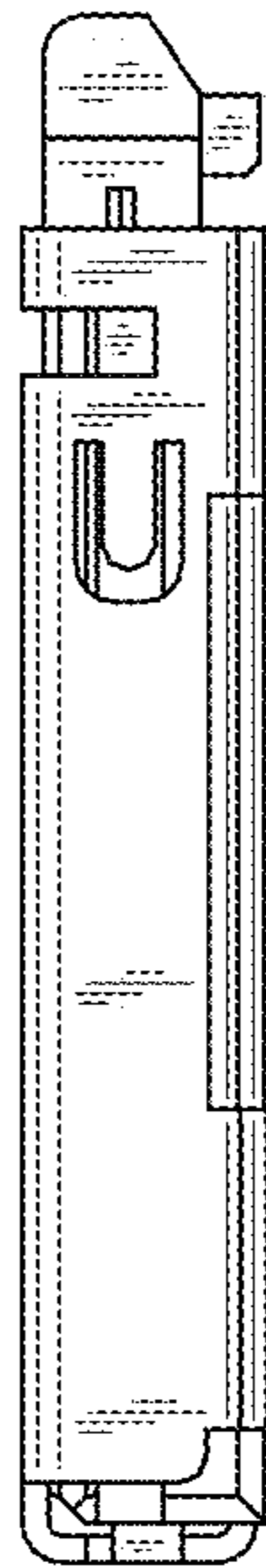


FIG.3

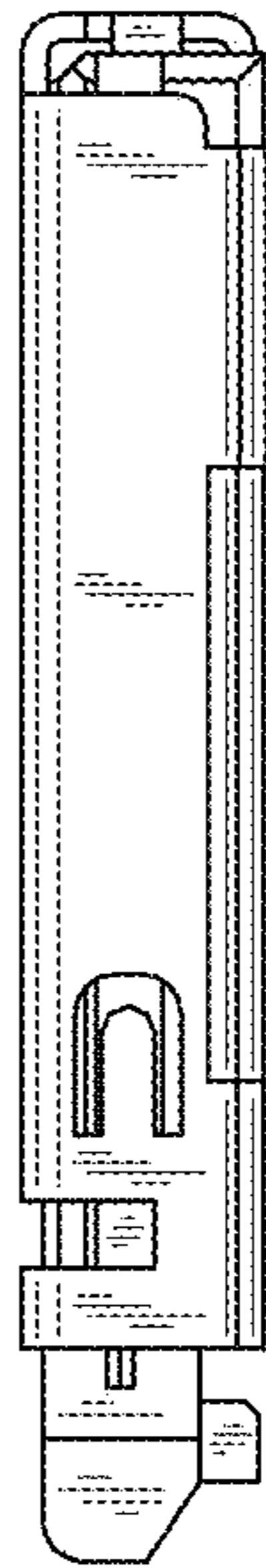


FIG.4

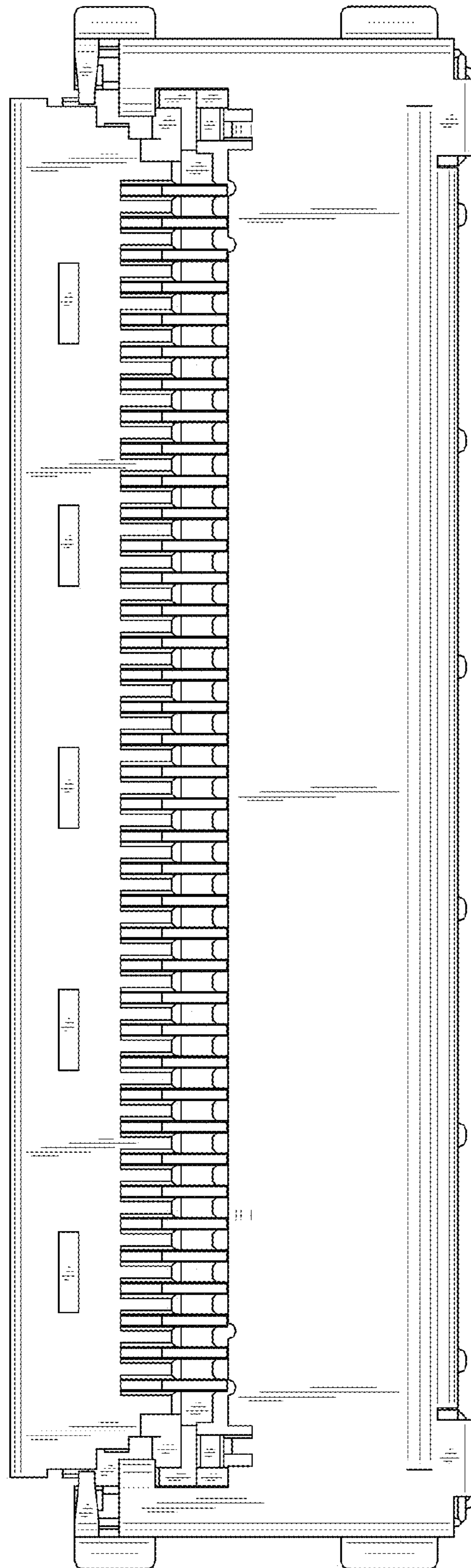


FIG. 5



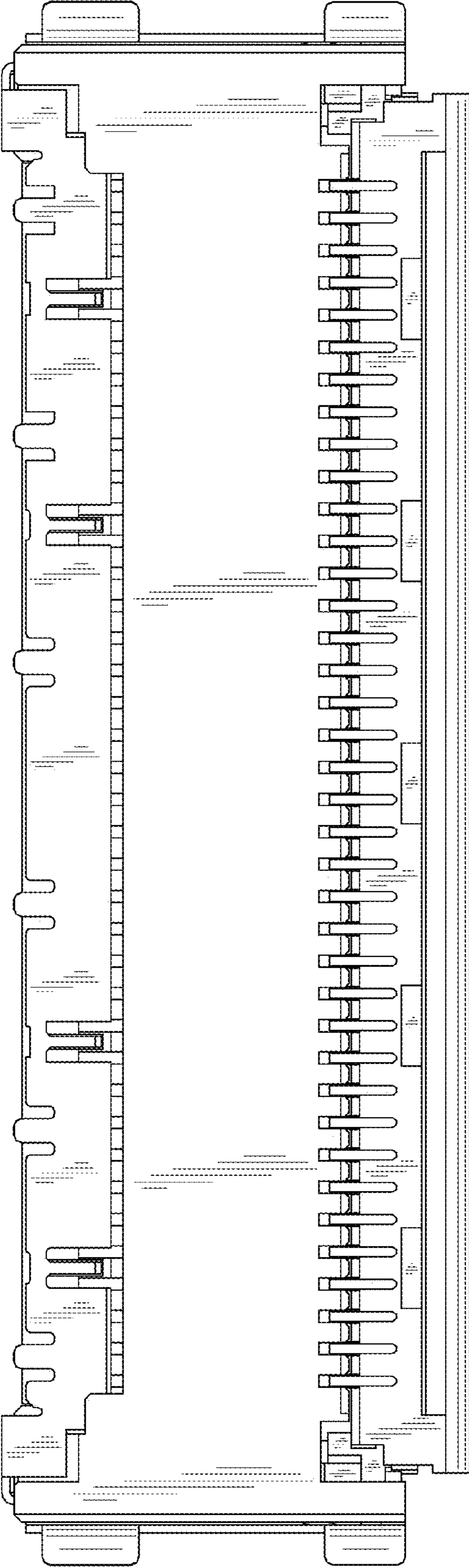


FIG.6

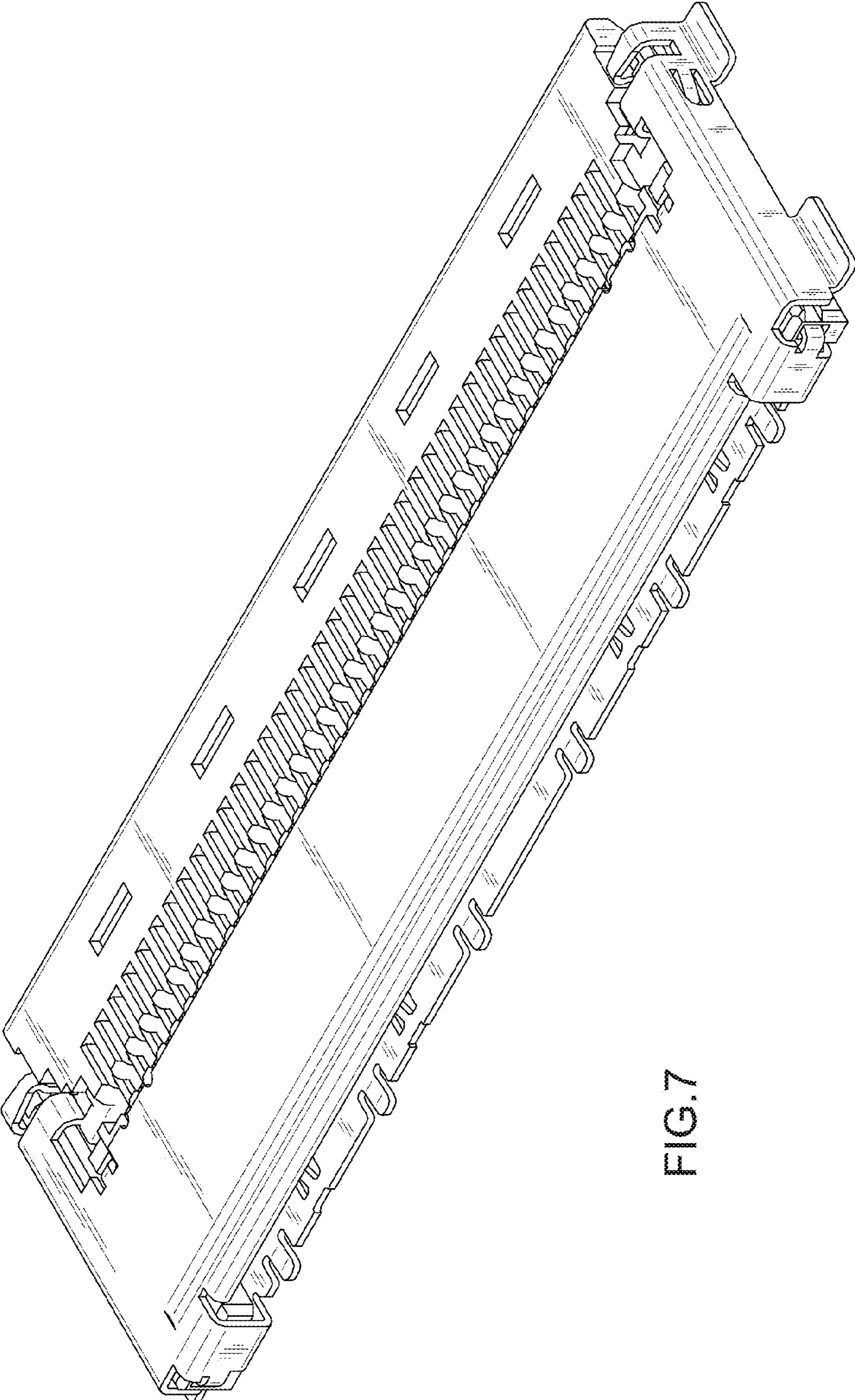


FIG.7



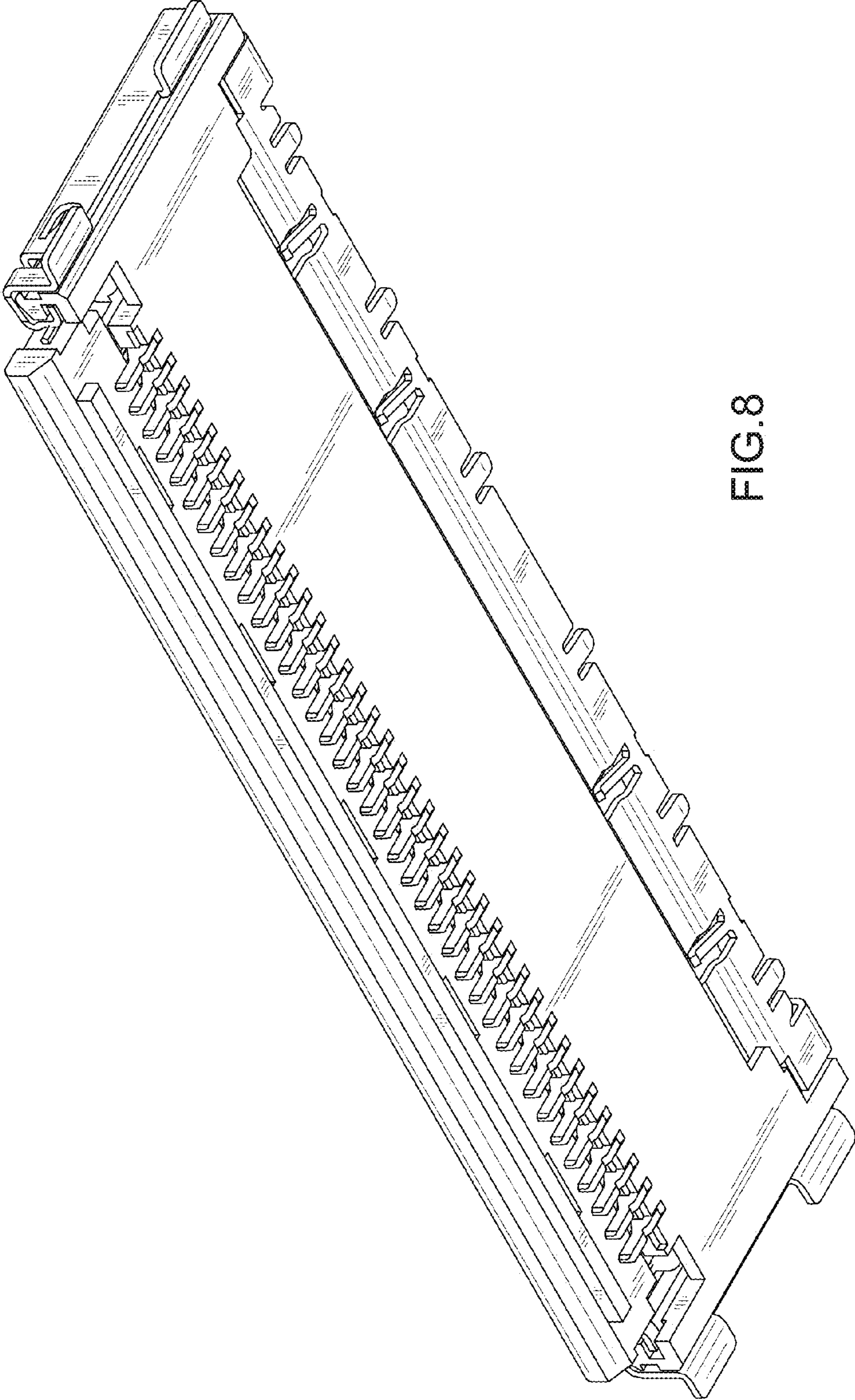


FIG. 8

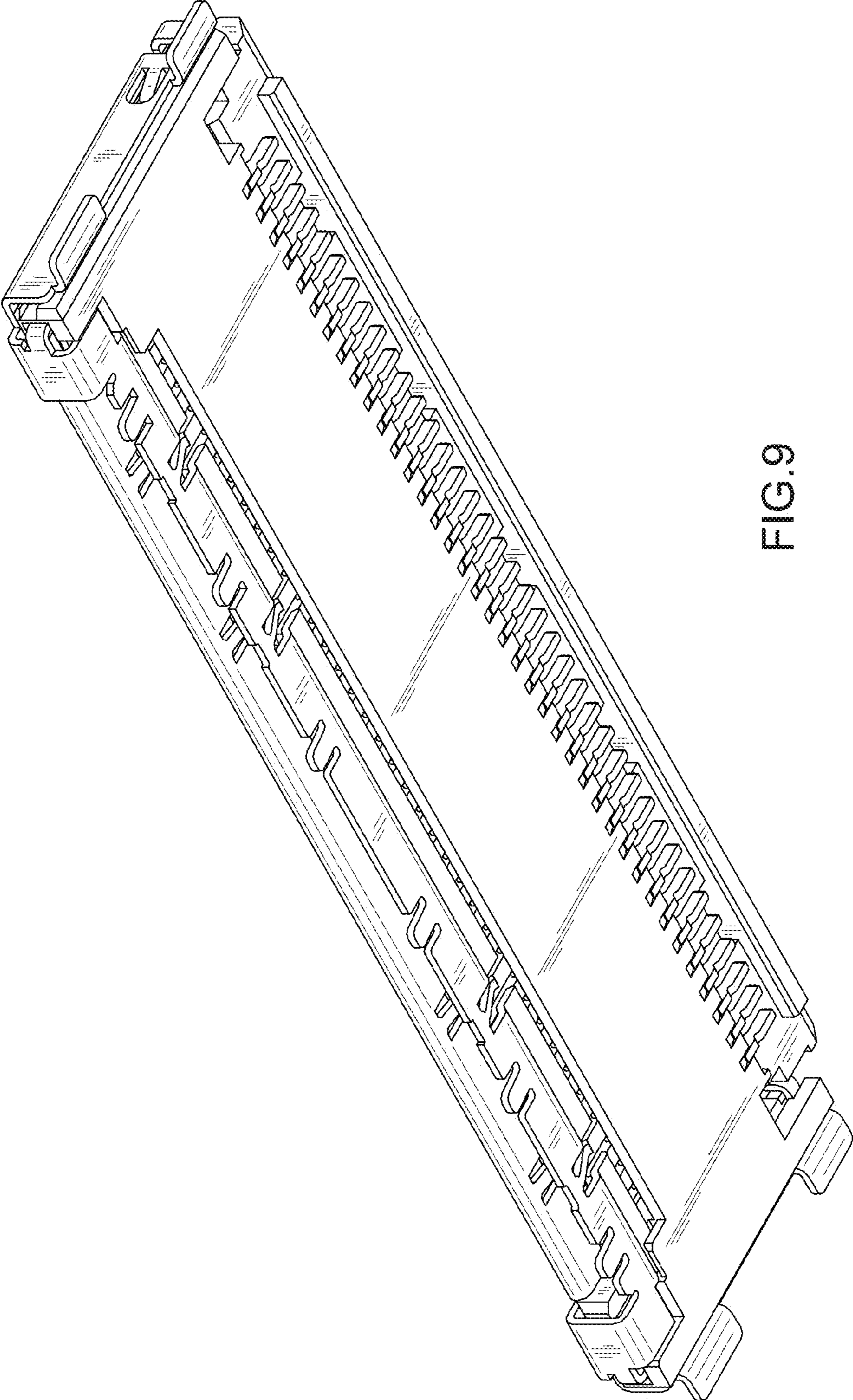


FIG. 9



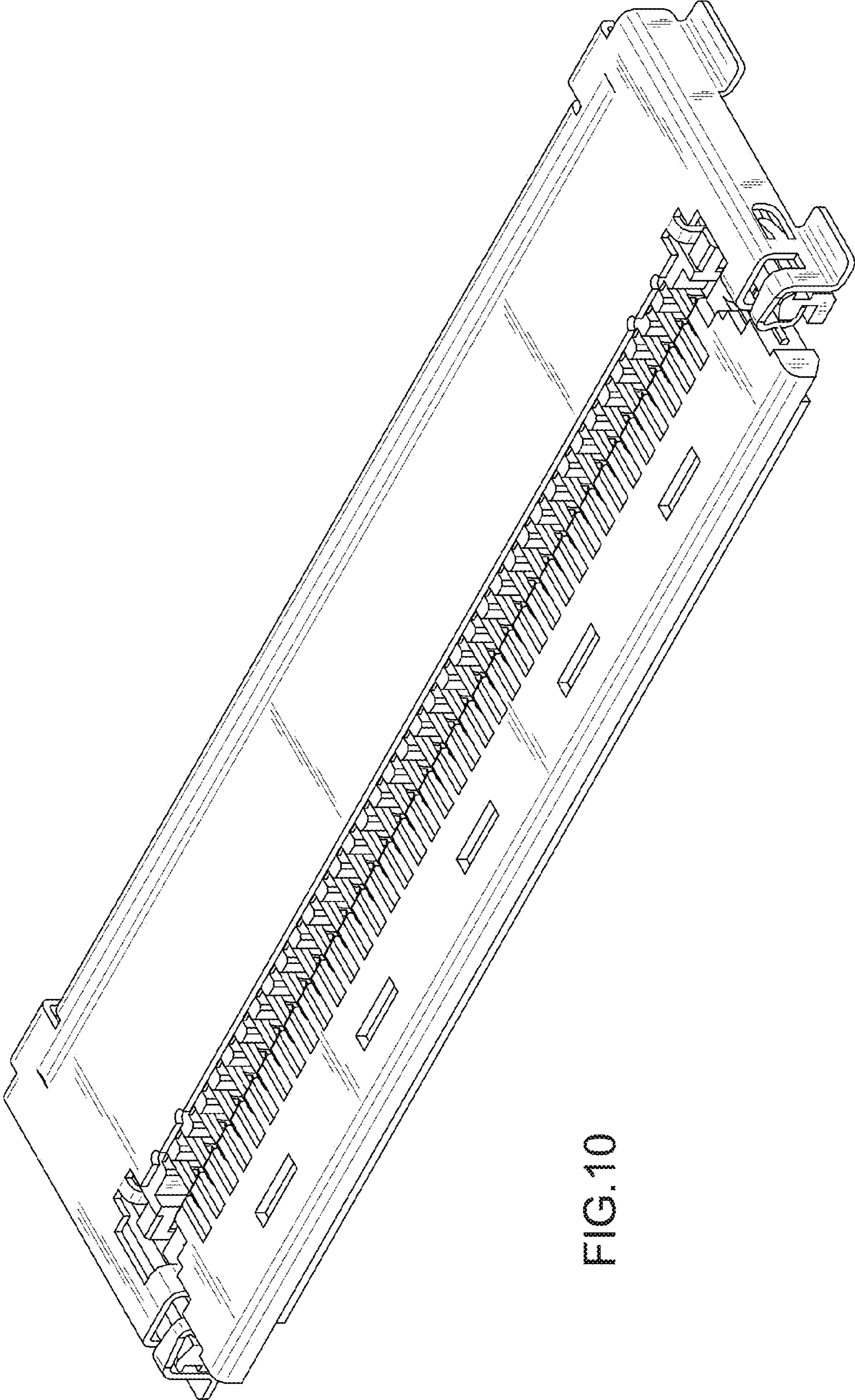


FIG.10

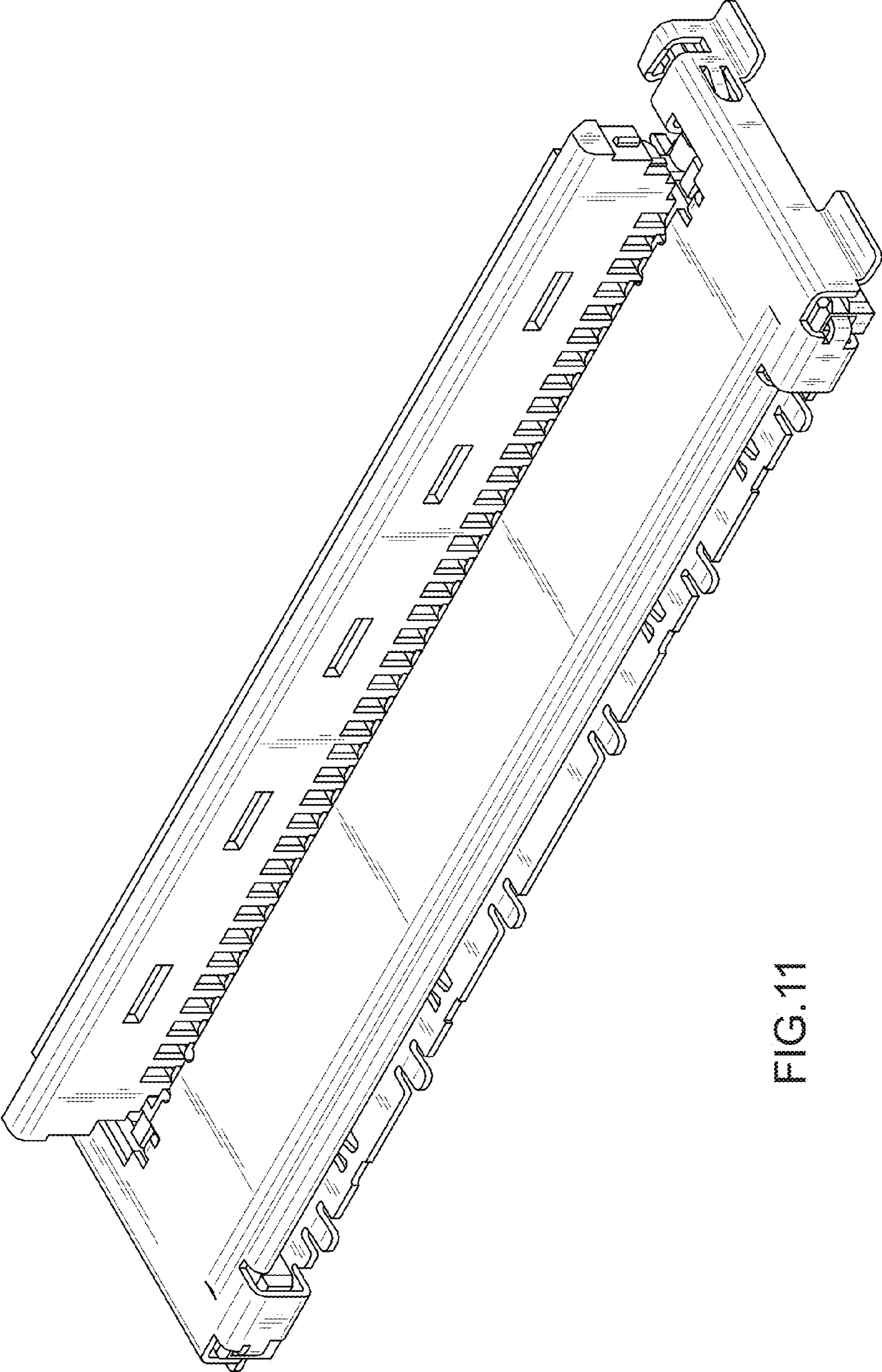


FIG.11



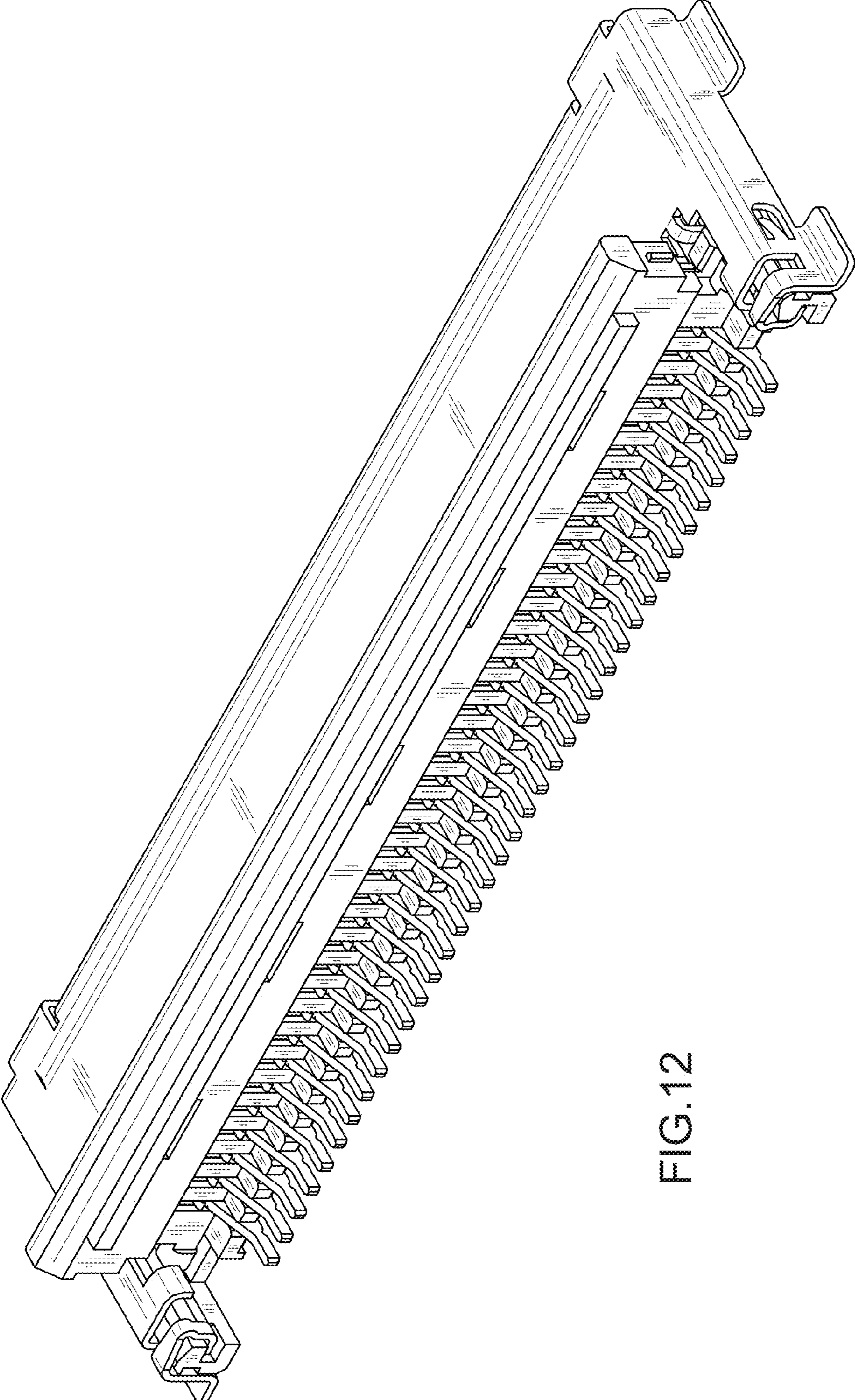


FIG.12



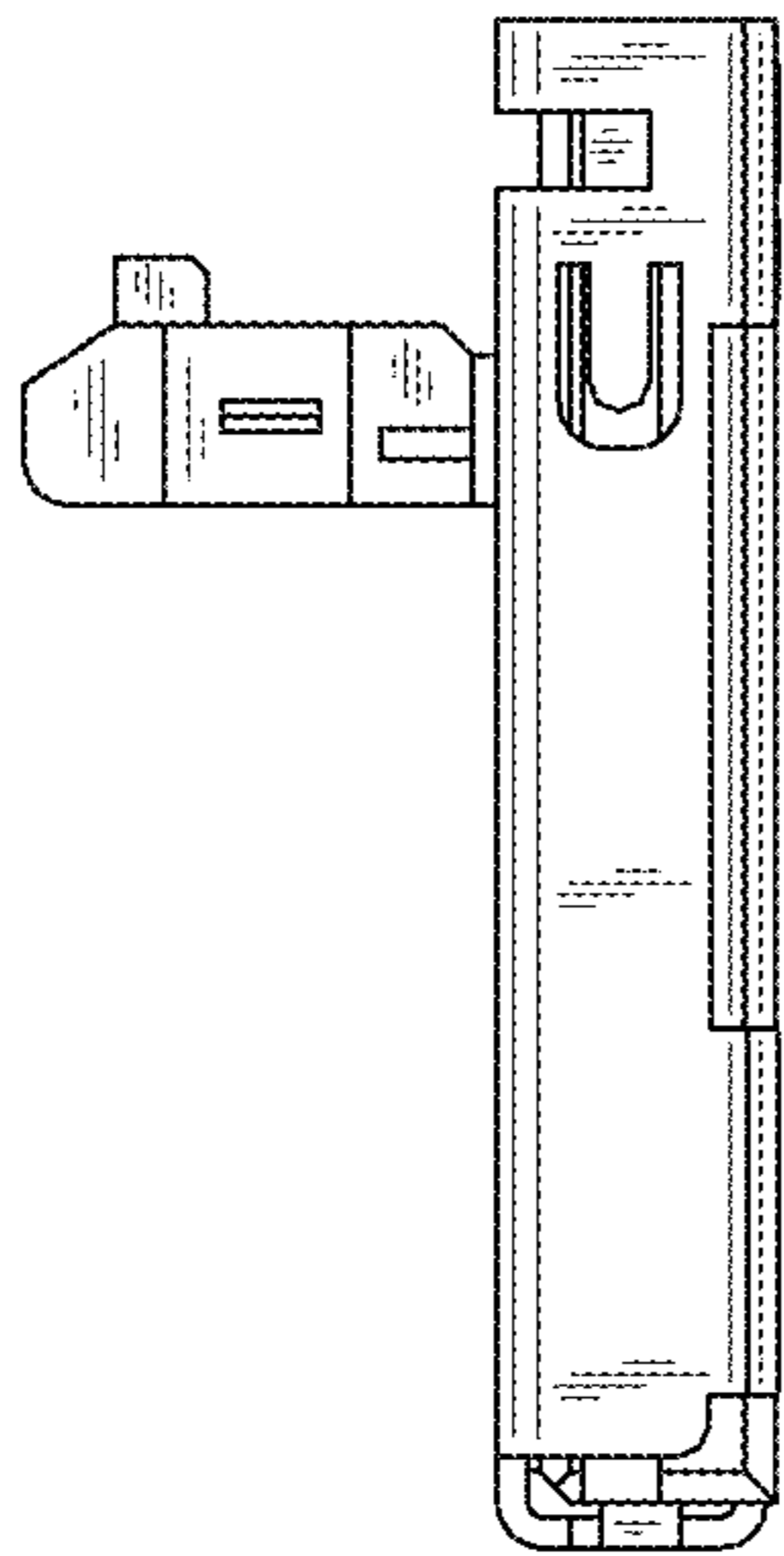


FIG.13