



US00D729171S

(12) **United States Design Patent**
Dietel

(10) **Patent No.:** **US D729,171 S**

(45) **Date of Patent:** **** May 12, 2015**

(54) **HOUSING FOR ELECTRICAL CONNECTORS**

(71) Applicant: **Phoenix Contact GmbH & Co. KG,**
Blomberg (DE)

(72) Inventor: **Karl Clauss Dietel,** Chemnitz (DE)

(73) Assignee: **Phoenix Contact GmbH & Co. KG,**
Blomberg (DE)

(**) Term: **14 Years**

(21) Appl. No.: **29/451,549**

(22) Filed: **Apr. 4, 2013**

(30) **Foreign Application Priority Data**

Oct. 5, 2012 (EM) 002114488-0001

(51) **LOC (10) Cl.** **13-03**

(52) **U.S. Cl.**
USPC **D13/147**

(58) **Field of Classification Search**
USPC D13/147, 154, 184, 199
See application file for complete search history.

(56) **References Cited**

U.S. PATENT DOCUMENTS

5,900,684 A * 5/1999 Lam 307/139
D425,483 S * 5/2000 Bechtold et al. D13/147

6,634,910 B2 * 10/2003 Lieb et al. 439/715
D544,836 S * 6/2007 Sichner et al. D13/123
7,404,735 B2 * 7/2008 Reker et al. 439/540.1
D580,885 S * 11/2008 Detering D13/165
D676,813 S * 2/2013 Wiest et al. D13/151
2003/0073342 A1 * 4/2003 Geyer 439/489

* cited by examiner

Primary Examiner — Daniel Bui

(74) *Attorney, Agent, or Firm* — Leydig, Voit & Mayer, Ltd.

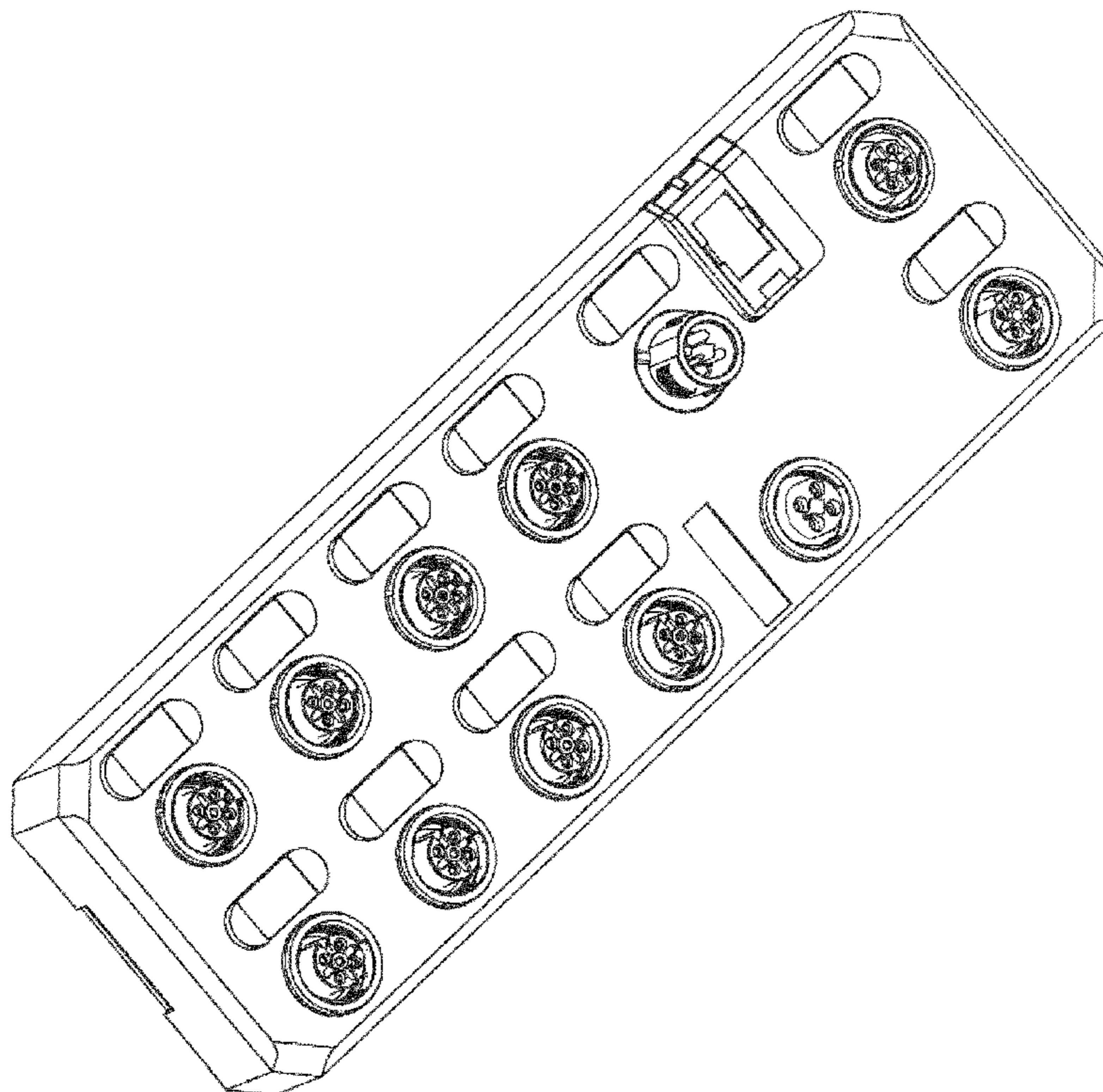
(57) **CLAIM**

The ornamental design for a housing for electrical connectors, as shown and described.

DESCRIPTION

FIG. 1 is a top left front perspective view of the housing for electrical connectors showing my new design;
FIG. 2 is a top plan view thereof;
FIG. 3 is a left side elevational view thereof;
FIG. 4 is a right side elevational view thereof;
FIG. 5 is a rear elevational view thereof;
FIG. 6 is a front elevational view thereof; and,
FIG. 7 is a underneath plan view thereof.
The broken-line areas shown in the drawing views are intended to show unclaimed subject matter only and form no part of the claimed design.

1 Claim, 6 Drawing Sheets



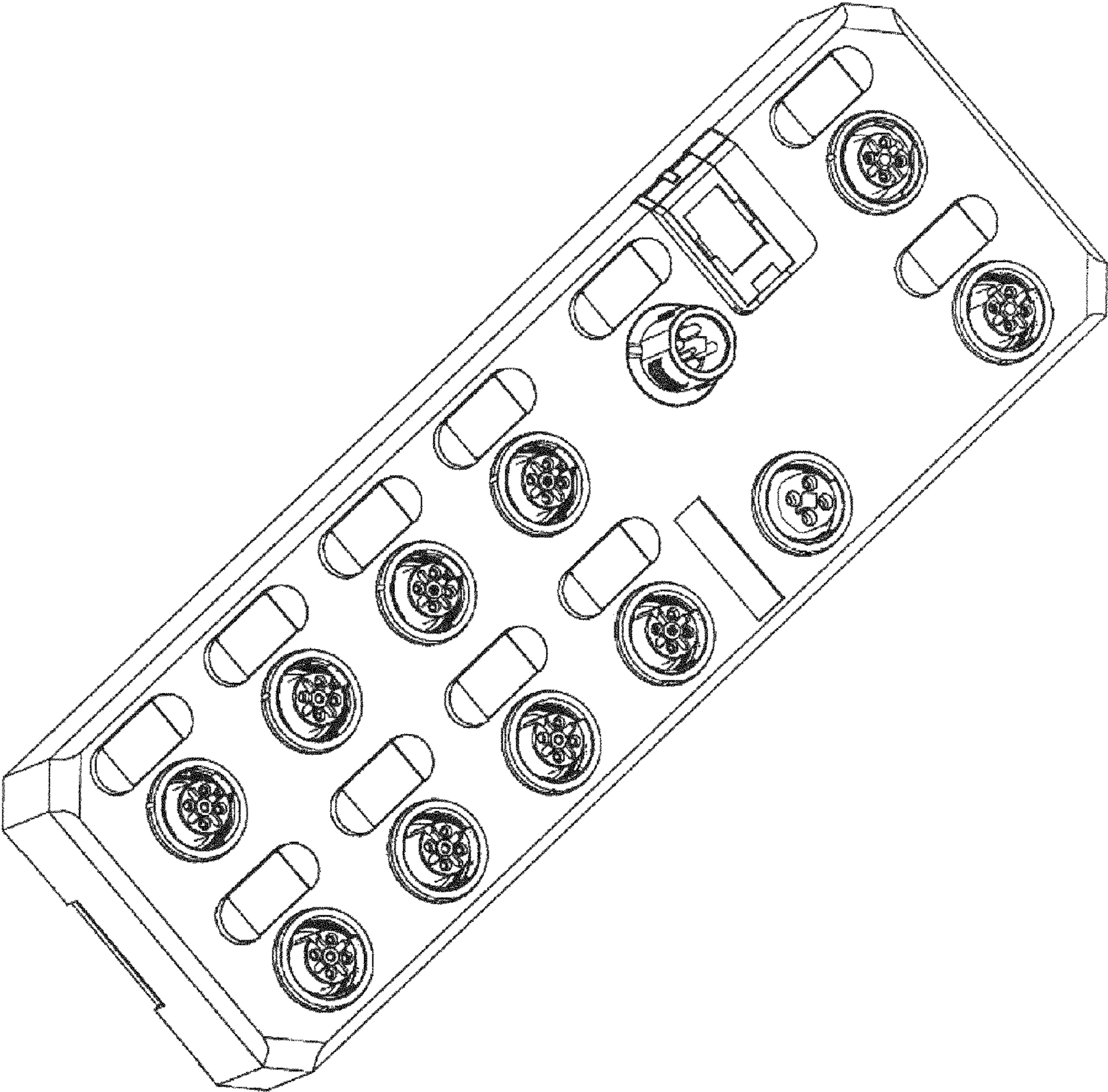


FIG. 1

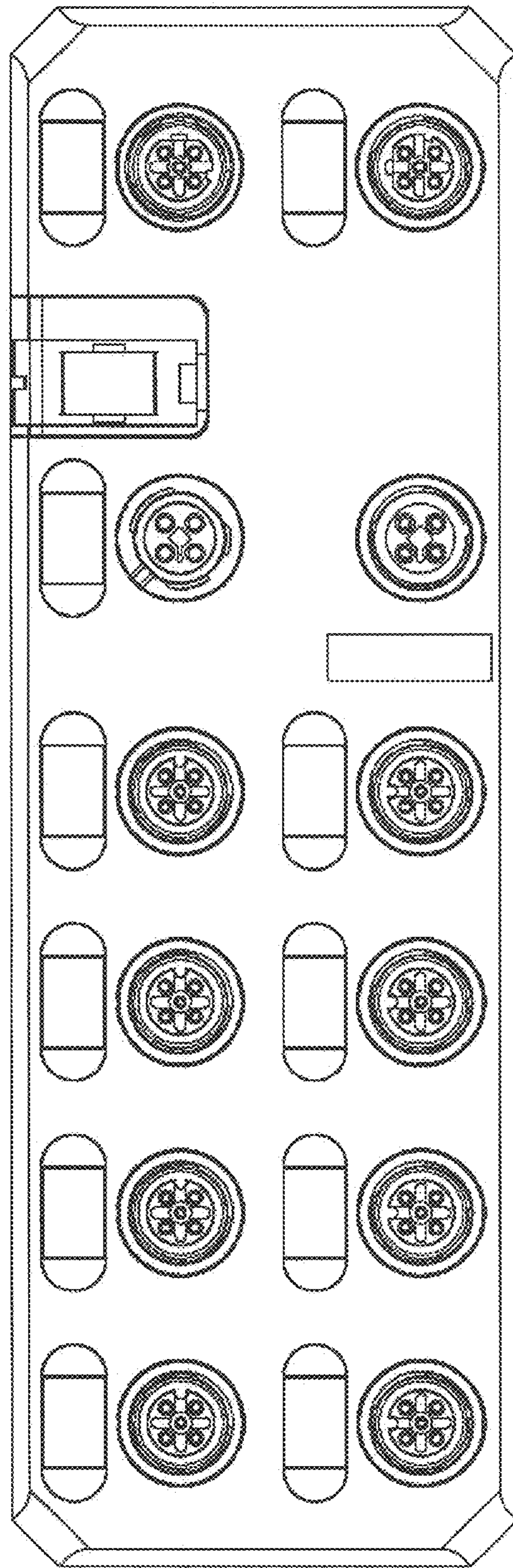


FIG. 2

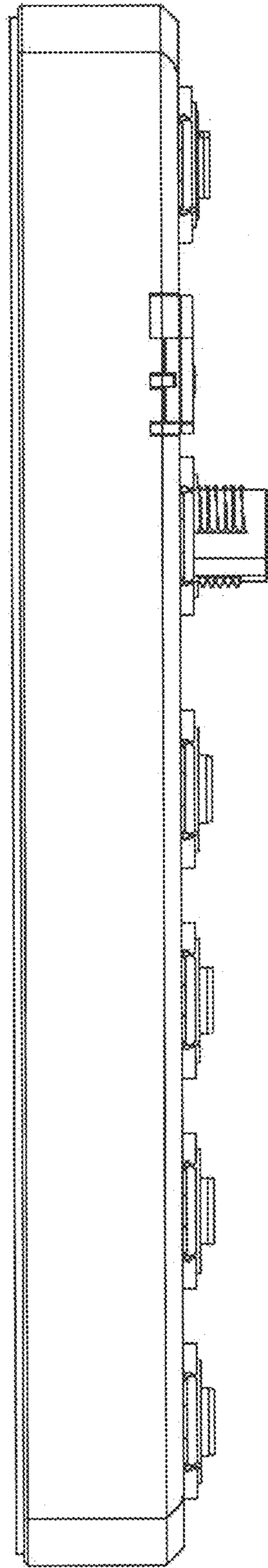


FIG. 3

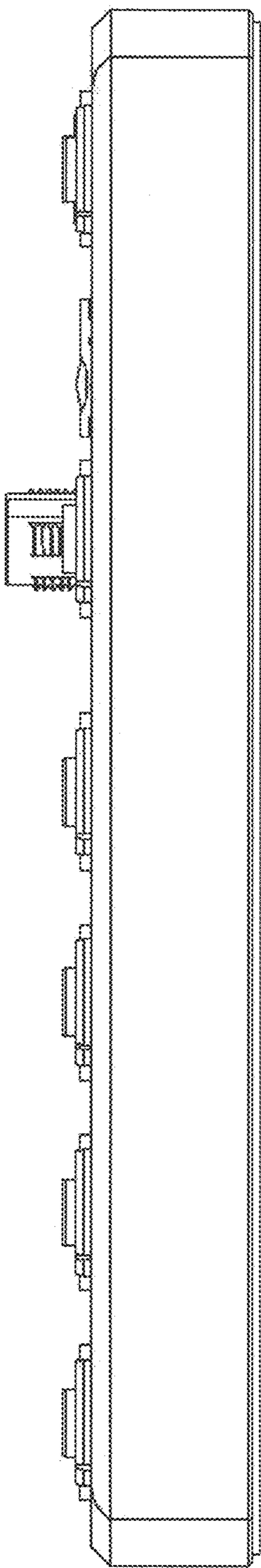


FIG. 4

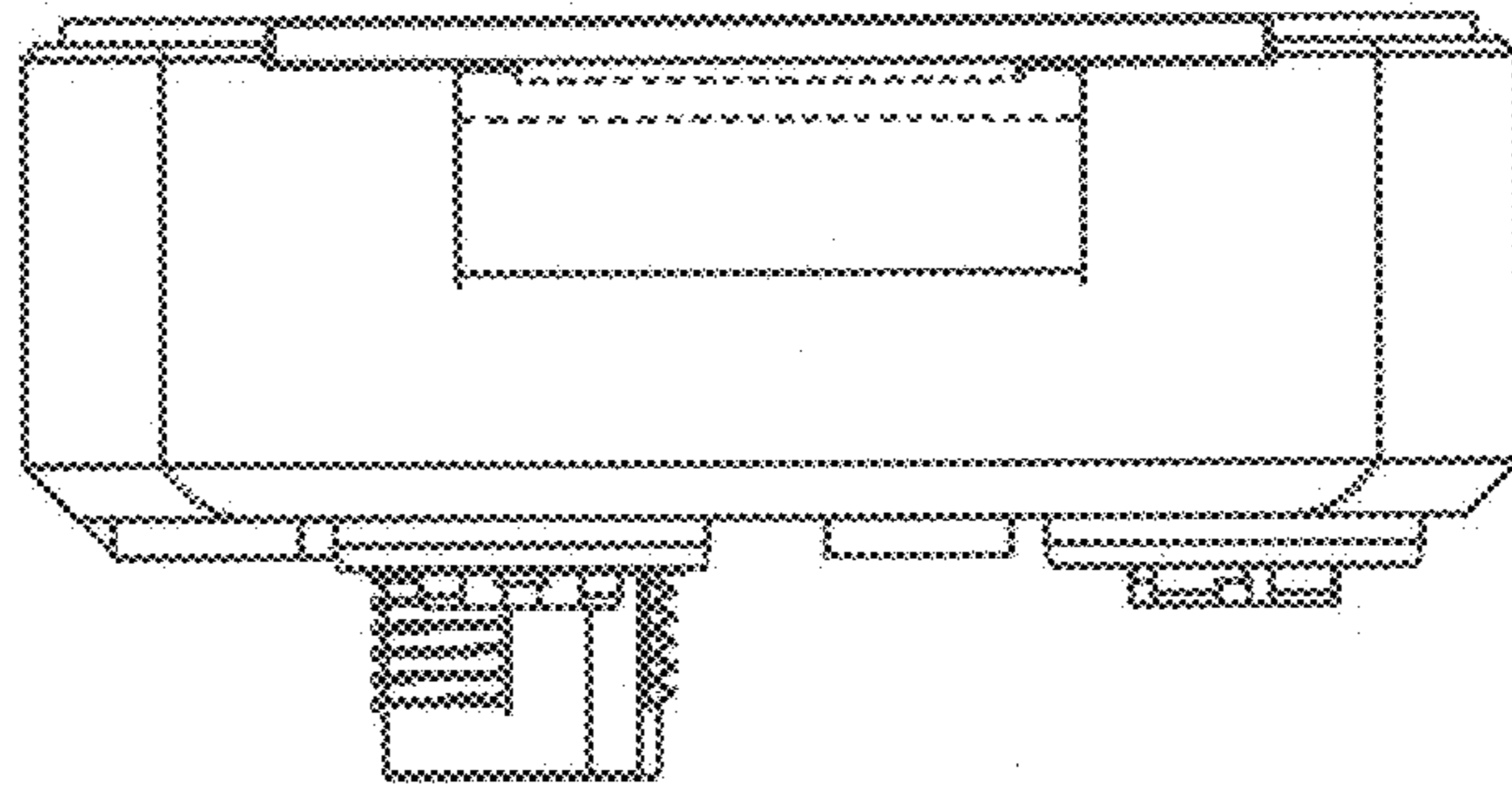


FIG. 5

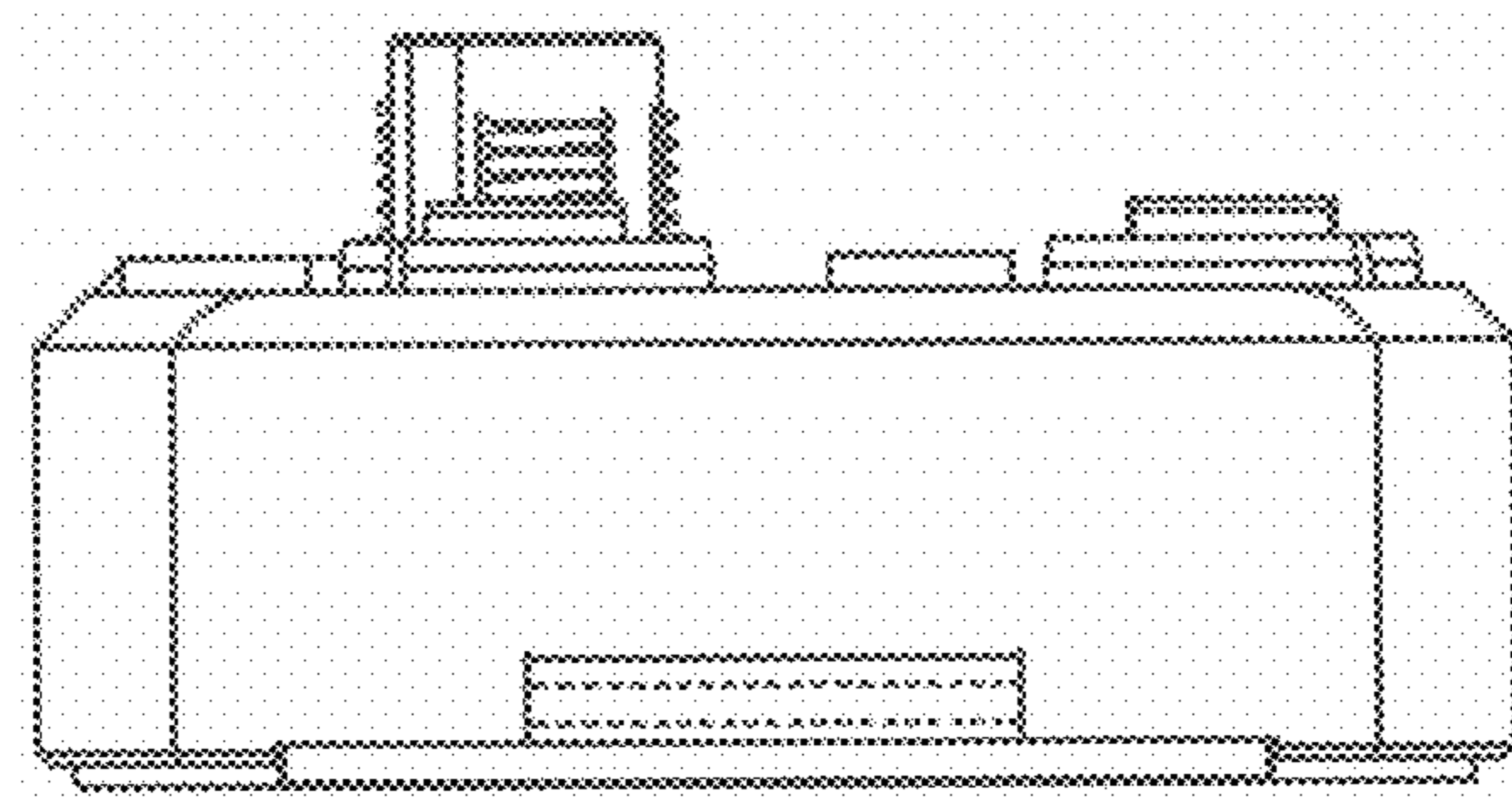


FIG. 6

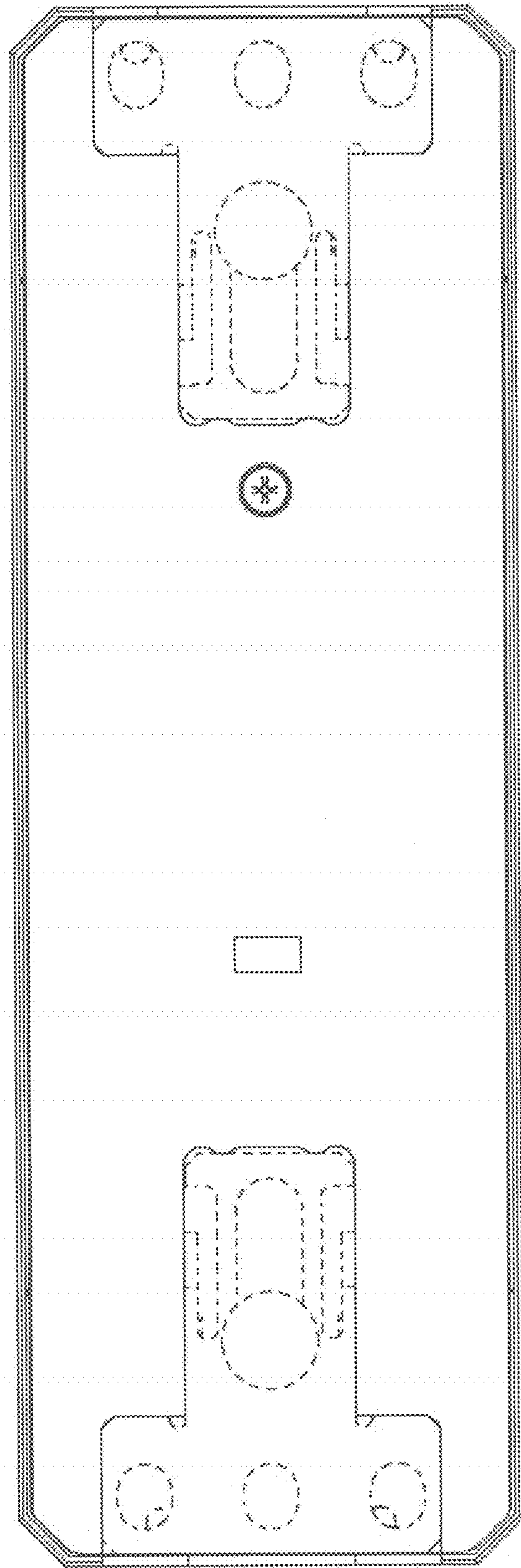


FIG. 7