



US00D729169S

(12) **United States Design Patent**  
**Corona**

(10) **Patent No.:** **US D729,169 S**  
(45) **Date of Patent:** **\*\* May 12, 2015**

- (54) **ELECTRICAL CONNECTOR**
- (71) Applicant: **DSM&T Company, Inc.**, Fontana, CA (US)
- (72) Inventor: **Sergio Corona**, Upland, CA (US)
- (73) Assignee: **DSM&T Company, Inc.**, Fontana, CA (US)
- (\*\*) Term: **14 Years**
- (21) Appl. No.: **29/443,479**
- (22) Filed: **Jan. 17, 2013**

D503,150	S	*	3/2005	Yamawaki et al. ....	D13/147
7,390,210	B2		6/2008	Corona	
7,785,123	B2		8/2010	Corona	
D637,159	S	*	5/2011	Hu .....	D13/147
D643,815	S	*	8/2011	Mark et al. ....	D13/133
D670,650	S	*	11/2012	Ebihara .....	D13/133
D677,629	S		3/2013	Corona	
D678,200	S		3/2013	Corona	
D678,201	S		3/2013	Corona	
D678,202	S		3/2013	Corona	
D678,203	S		3/2013	Corona	
D678,204	S		3/2013	Corona	
D679,662	S	*	4/2013	Svelnis et al. ....	D13/154

\* cited by examiner

*Primary Examiner* — Daniel Bui  
*Assistant Examiner* — Shawn T Gingrich  
(74) *Attorney, Agent, or Firm* — Keusey & Associates, P.C.

**Related U.S. Application Data**

- (63) Continuation-in-part of application No. 29/411,242, filed on Jan. 18, 2012, now Pat. No. Des. 678,201.
- (51) **LOC (10) Cl.** ..... **13-03**
- (52) **U.S. Cl.**  
USPC ..... **D13/146**
- (58) **Field of Classification Search**  
CPC ..... H01R 3/00; H01R 4/00; H01R 4/60;  
H01R 105/00; H01R 24/20; H01R 24/28  
USPC ..... D13/133, 146, 147, 153, 154, 184, 199;  
439/252, 892, 894  
See application file for complete search history.

(57) **CLAIM**

I claim the ornamental design for an electrical connector, as shown and described.

**DESCRIPTION**

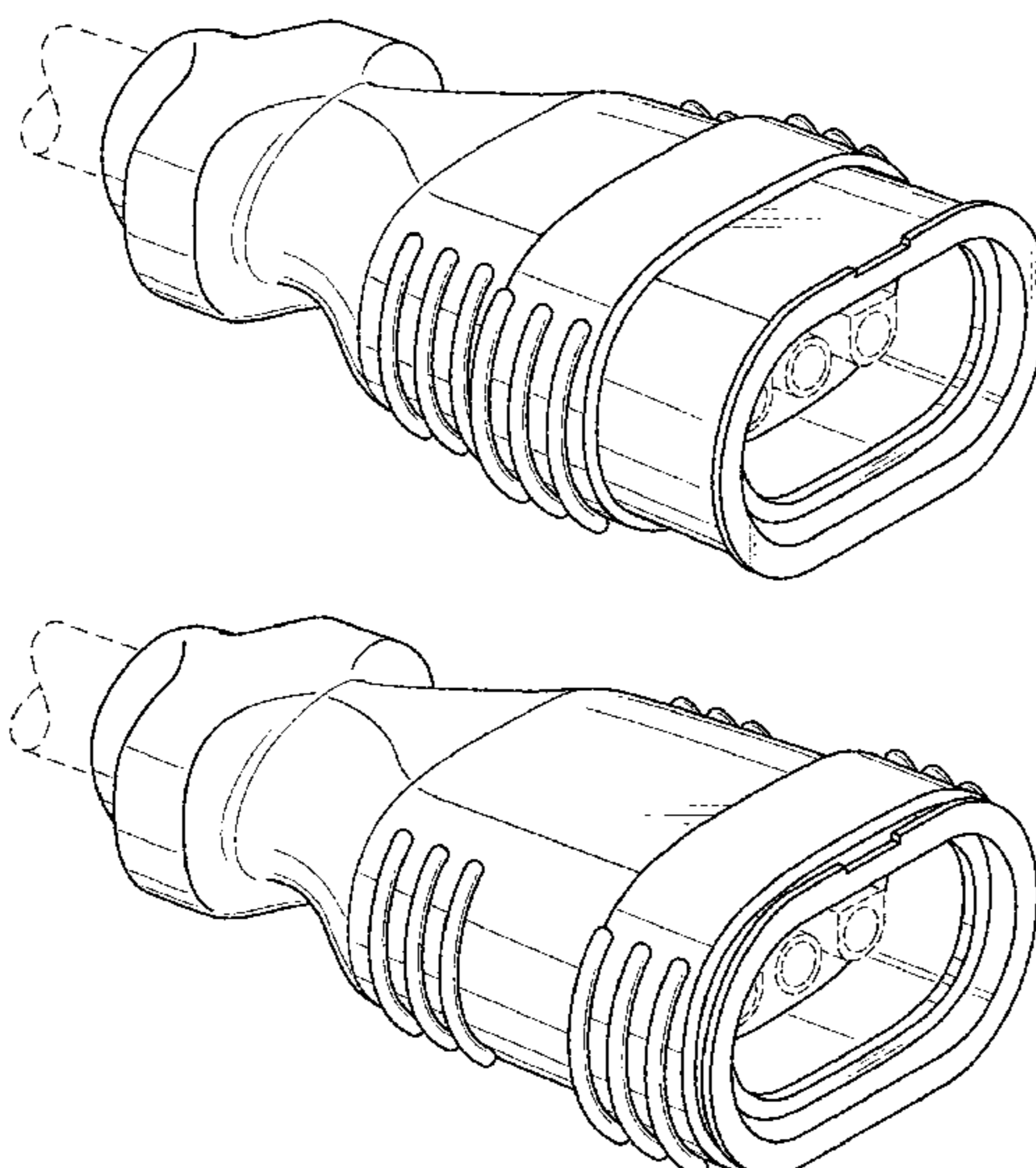
FIG. 1 is a front, top, left side perspective view of an electrical connector showing my new design, in an open condition. FIG. 2 is a left side elevational view thereof, the right side elevational view being a mirror image thereof. FIG. 3 is a top plan view thereof, the bottom plan view being identical thereto. FIG. 4 is a front side elevational view thereof. FIG. 5 is a rear side elevational view thereof. FIG. 6 is a front, top, left side perspective view thereof, in a closed condition. FIG. 7 is a left side elevational view thereof, the right side elevational view being a mirror image thereof; and, FIG. 8 is a top plan view thereof, the bottom plan view being identical thereto. The broken lines are included to show unclaimed environmental structure and form no part of the claimed design.

(56) **References Cited**

**U.S. PATENT DOCUMENTS**

5,401,181	A	3/1995	Wilson	
D360,871	S	8/1995	Wilson	
D360,872	S	8/1995	Wilson	
D434,377	S	*	11/2000	Bussett et al. .... D13/133
D437,828	S	2/2001	Corona	
D439,221	S	3/2001	Corona	
D445,763	S	7/2001	Corona	
D446,186	S	8/2001	Corona	
6,379,169	B1	4/2002	Corona	
6,383,003	B1	5/2002	Corona	

**1 Claim, 3 Drawing Sheets**



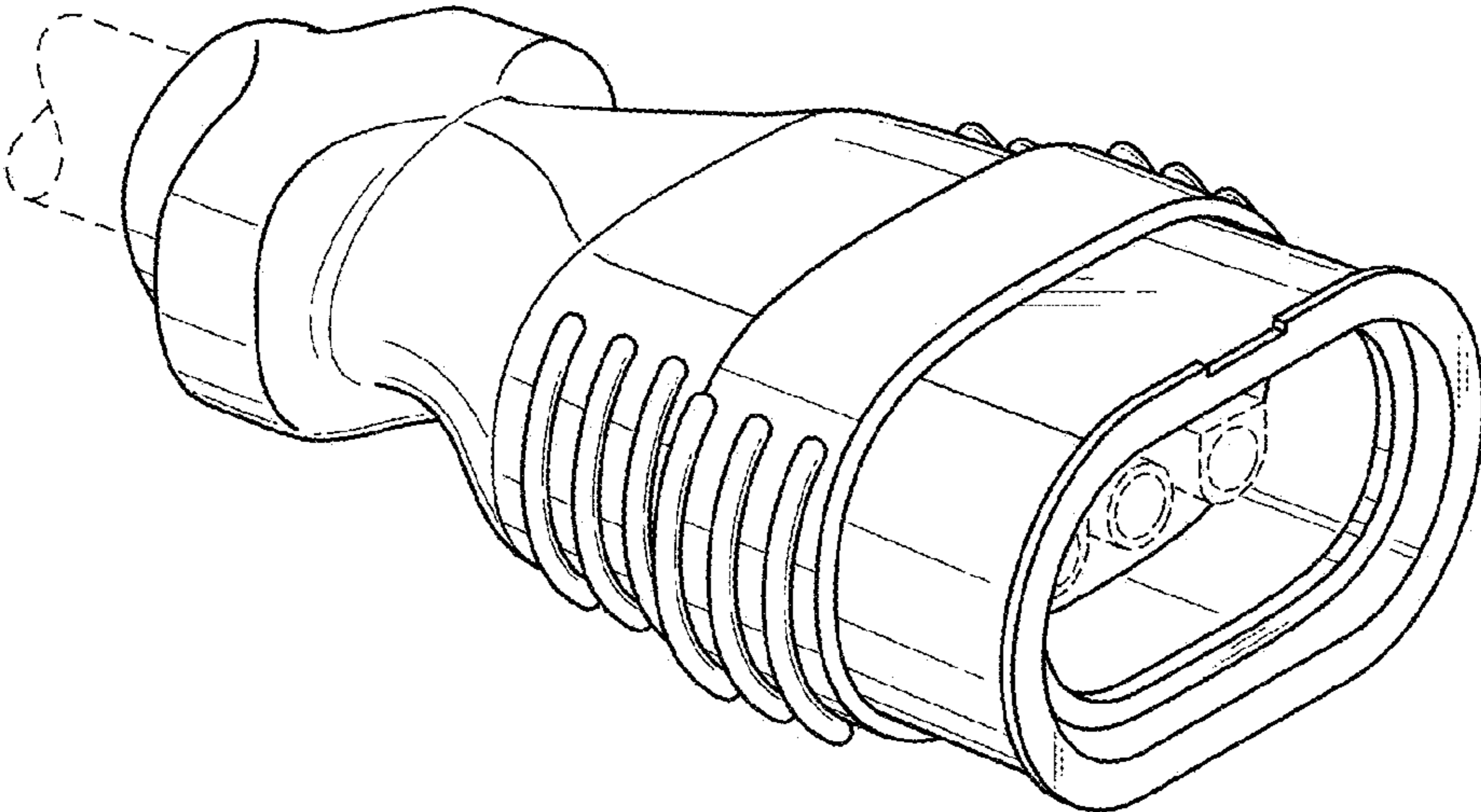


FIG. 1

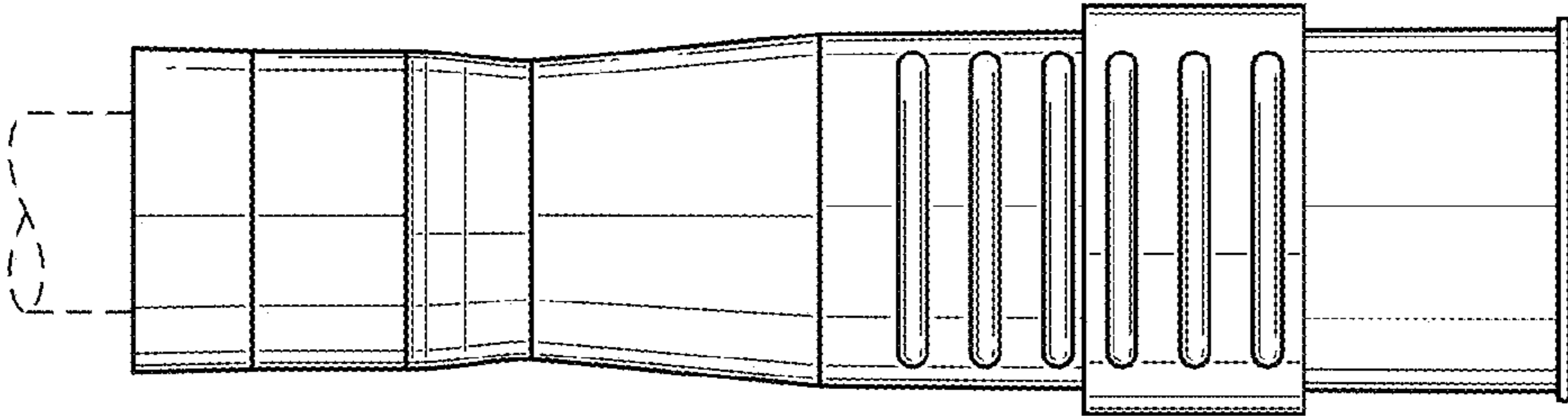


FIG. 2

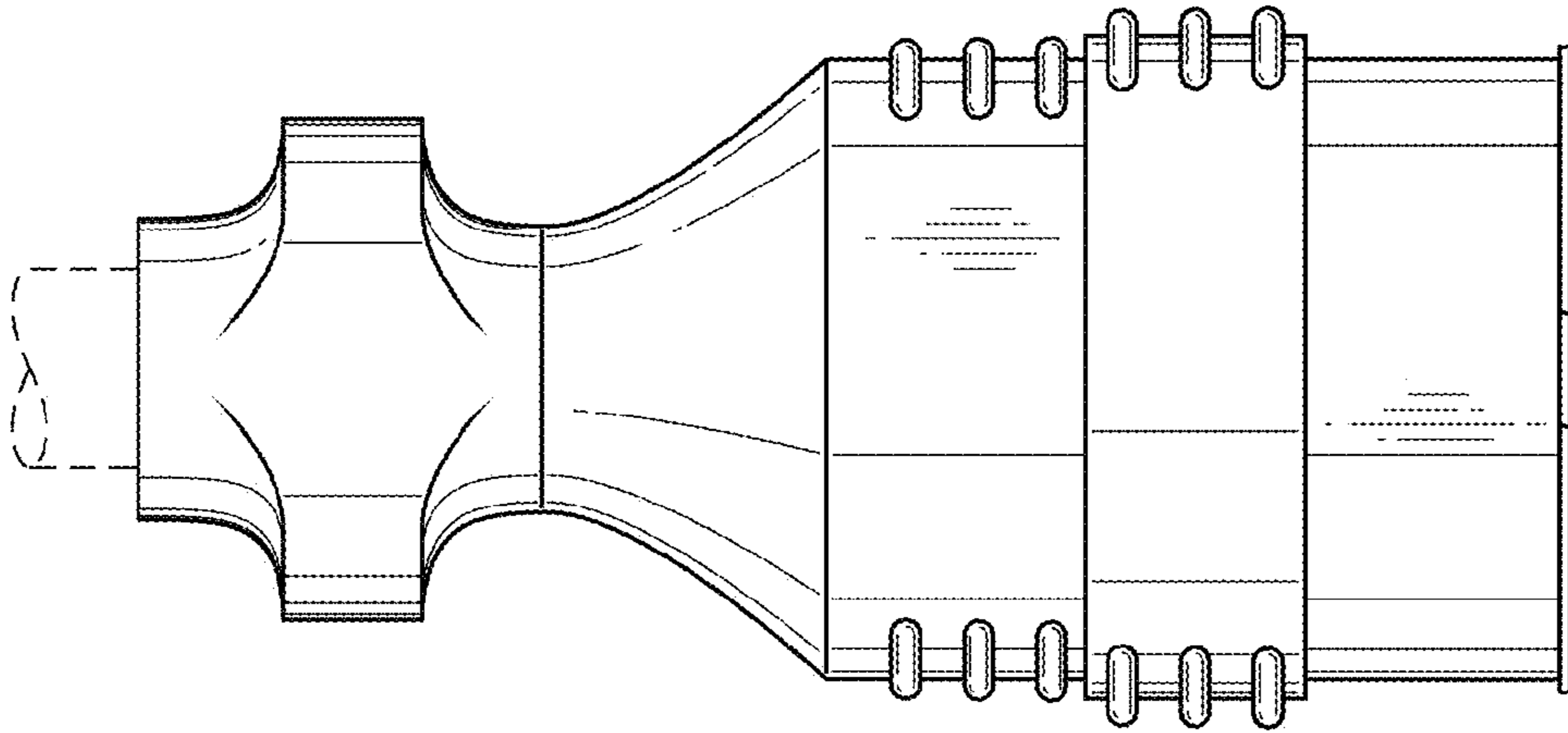


FIG. 3

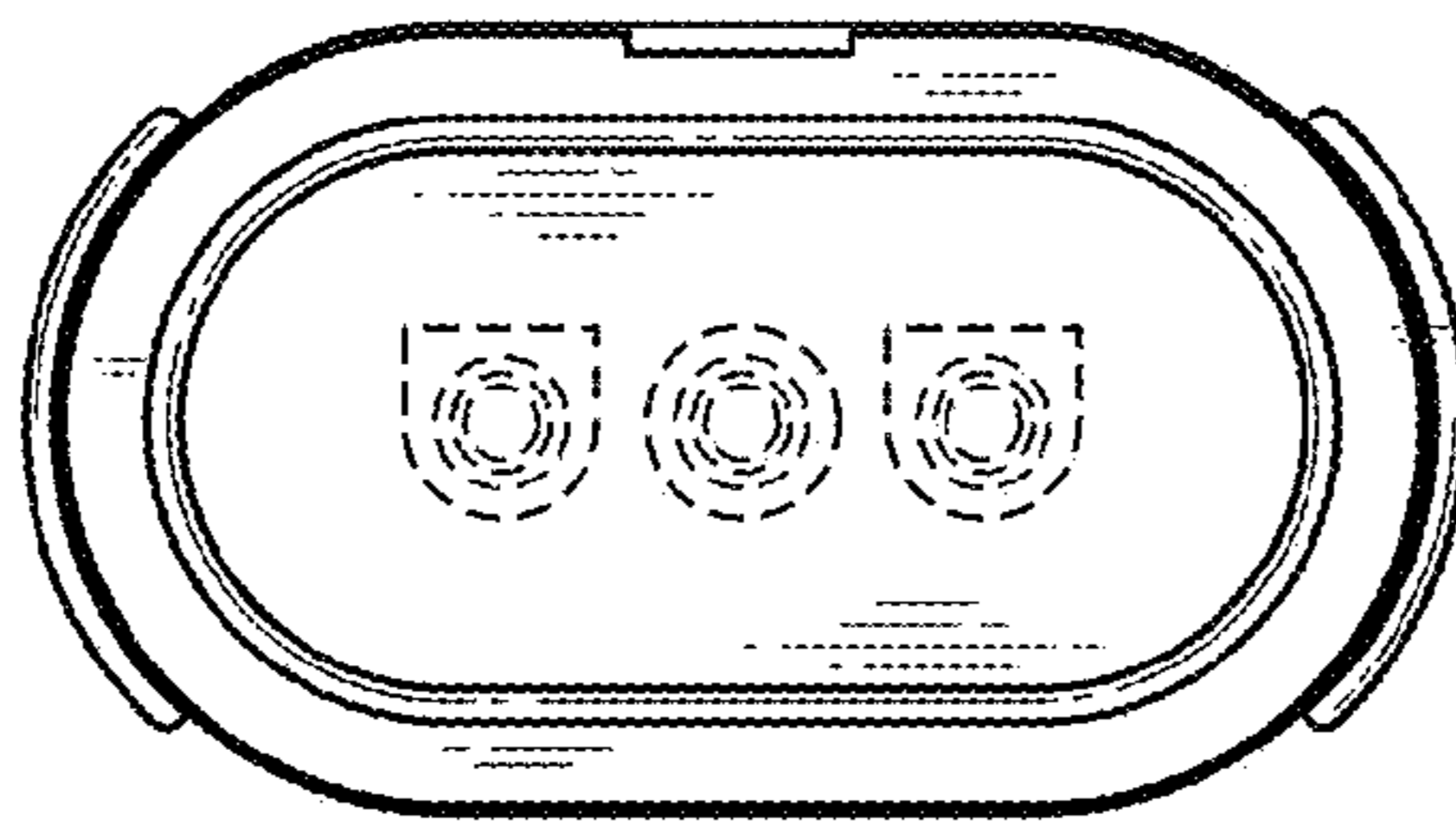


FIG. 4

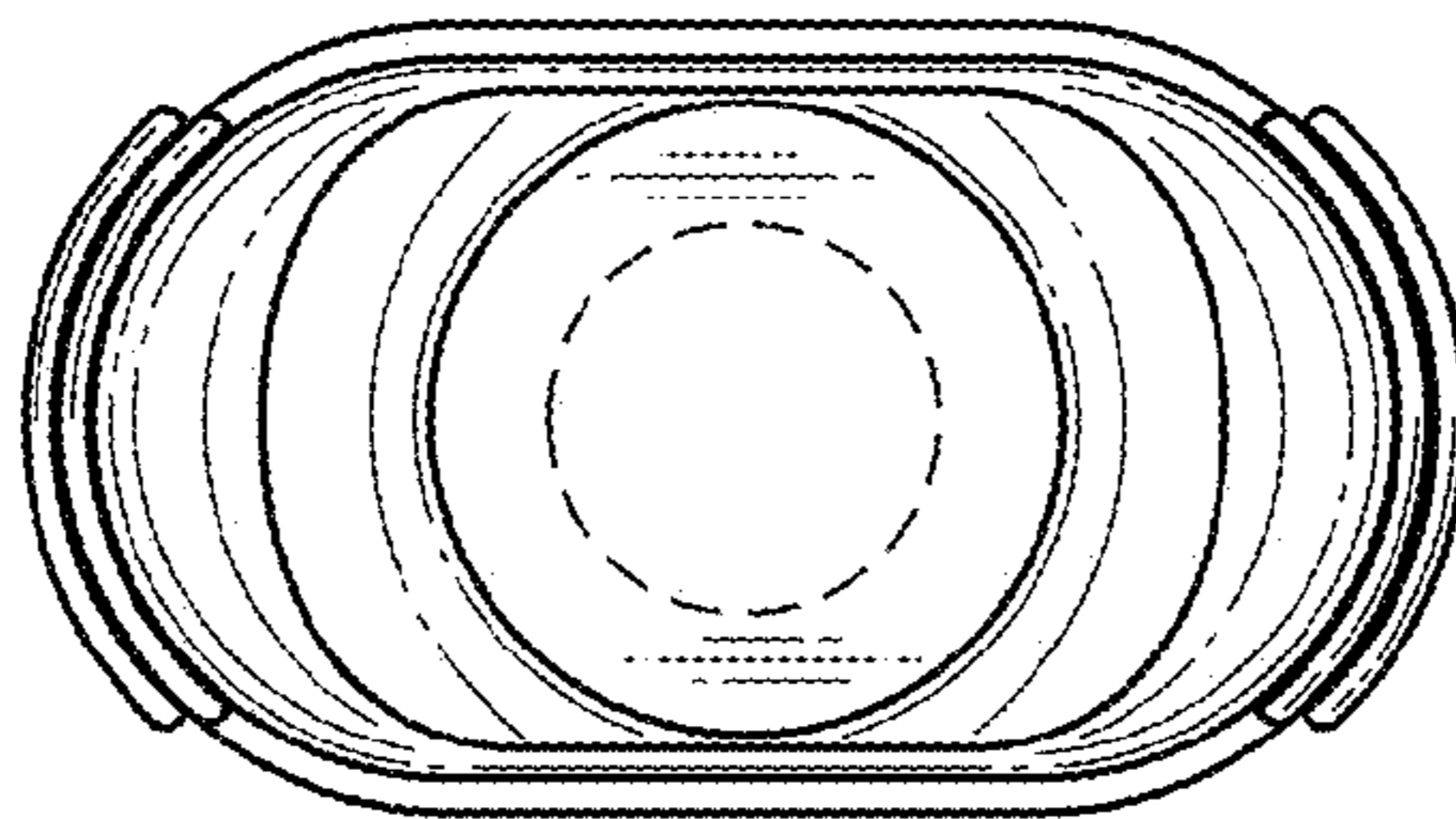


FIG. 5

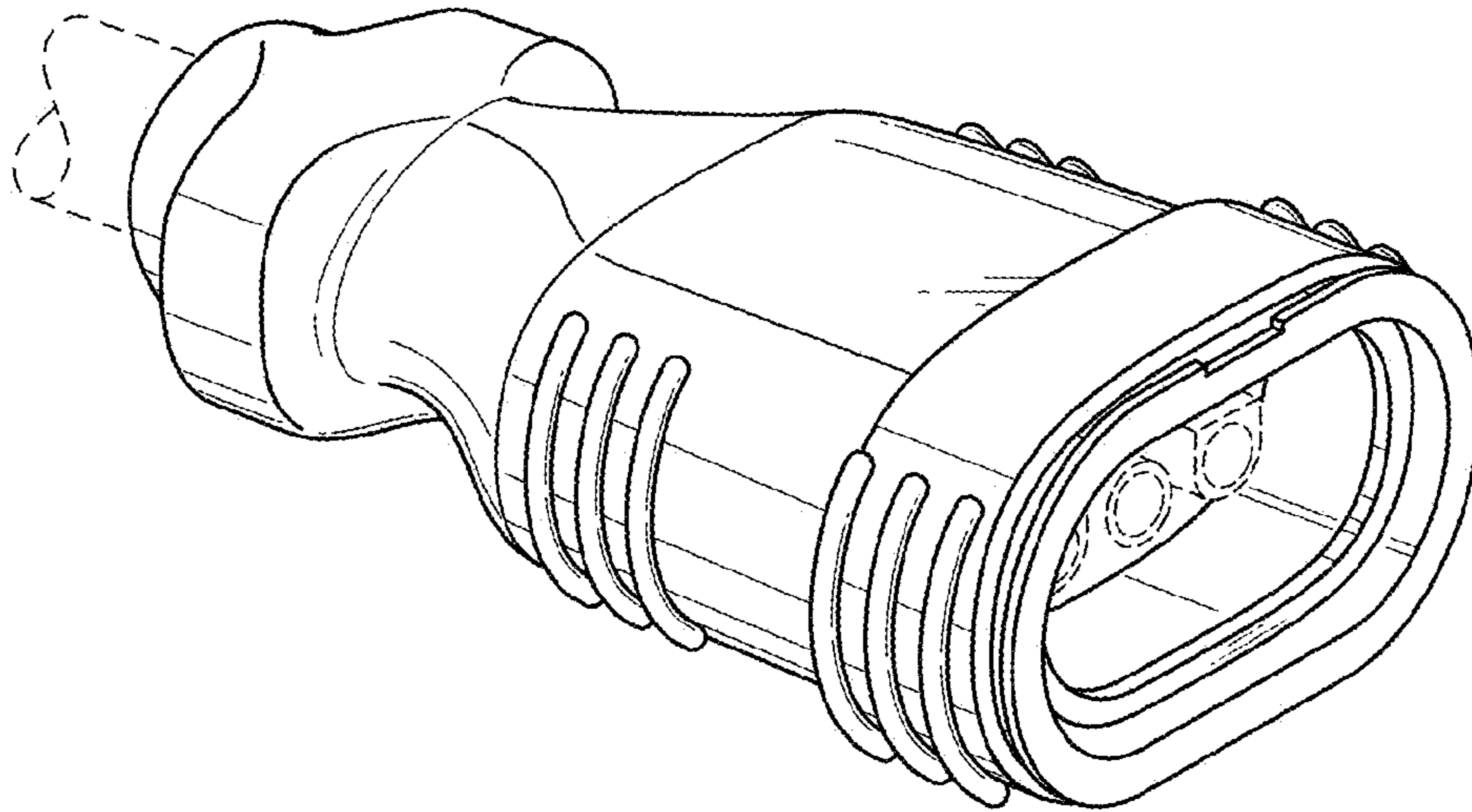


FIG. 6

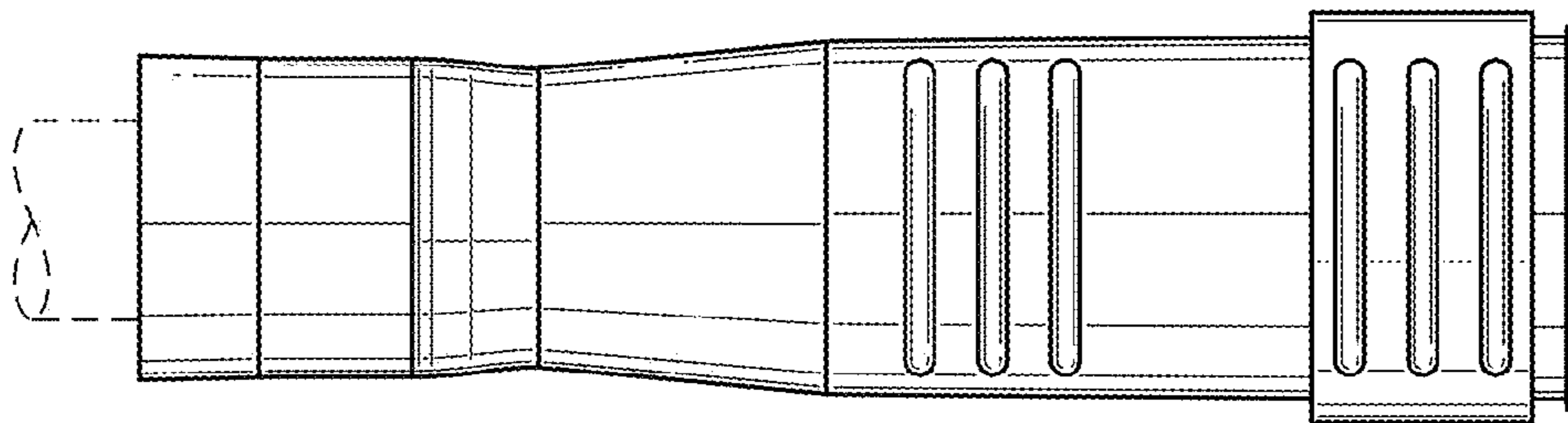


FIG. 7

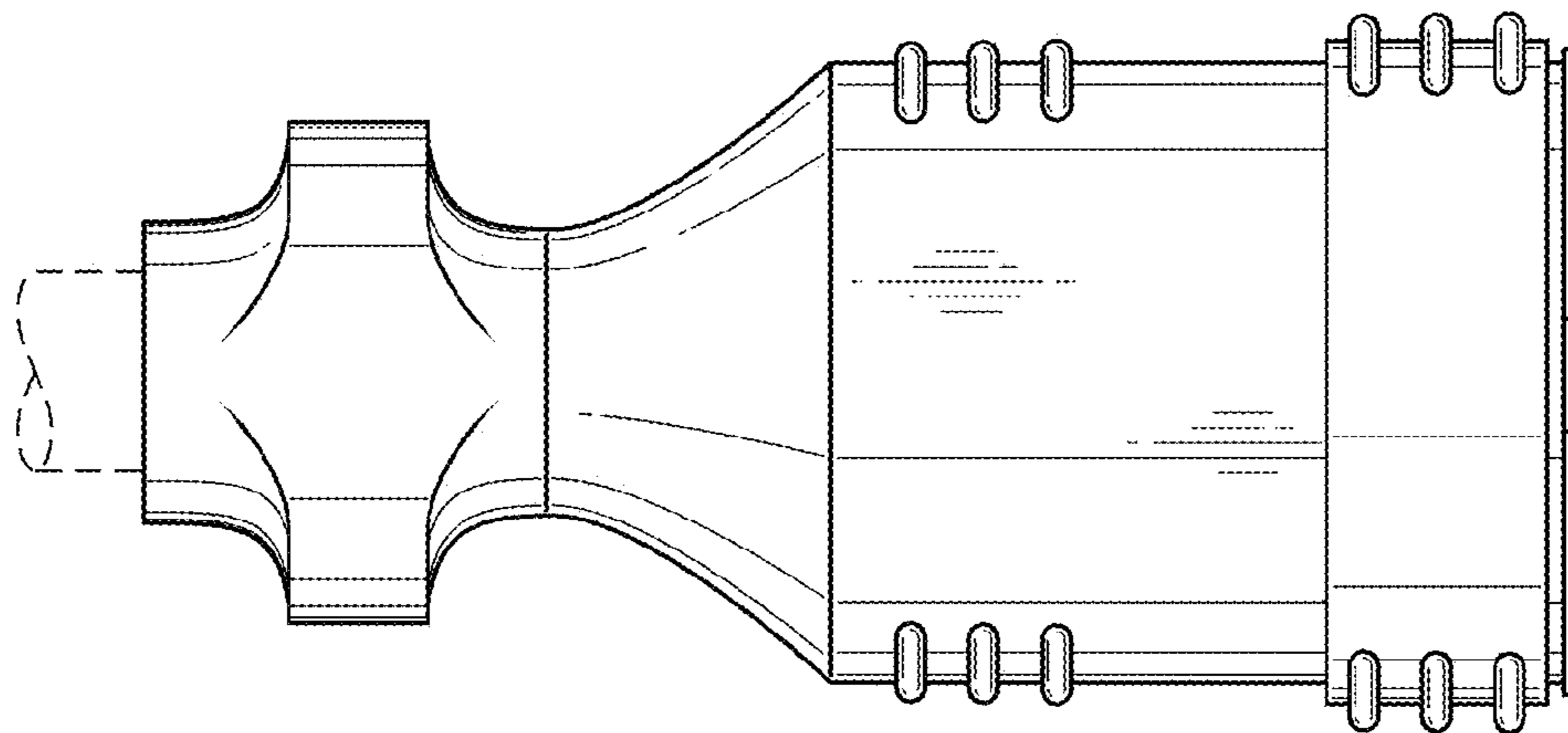


FIG. 8