



US00D729167S

(12) **United States Design Patent**
Vaccaro

(10) **Patent No.:** **US D729,167 S**

(45) **Date of Patent:** **** May 12, 2015**

(54) **INTERCONNECTION SEAL**

(71) Applicant: **Andrew LLC**, Hickory, NC (US)

(72) Inventor: **Ronald Alan Vaccaro**, Shorewood, IL (US)

(73) Assignee: **CommScope Technologies LLC**, Hickory, NC (US)

(**) Term: **14 Years**

(21) Appl. No.: **29/473,103**

(22) Filed: **Nov. 19, 2013**

(51) **LOC (10) Cl.** **13-03**

(52) **U.S. Cl.**
USPC **D13/133**

(58) **Field of Classification Search**
CPC H01R 13/52; H01R 9/0518; H01R 9/0521;
H01R 9/0524; H02G 1/14; B29C 45/00
USPC D13/118, 120, 123, 126, 127, 133-135,
D13/144, 153, 154, 156, 184, 199; D8/82,
D8/86; 439/275, 585; 264/328.1; 29/858
See application file for complete search history.

(56) **References Cited**

U.S. PATENT DOCUMENTS

D59,021 S * 9/1921 Marko D13/120
D512,023 S * 11/2005 Bachmann D13/149

D566,653 S * 4/2008 Sakamoto D13/133
D659,126 S * 5/2012 Scheimberg D14/223
D671,899 S * 12/2012 Verhoeven et al. D13/156
D680,081 S * 4/2013 Yamauchi et al. D13/156
D716,733 S * 11/2014 Nagasawa et al. D13/134
2004/0126552 A1 * 7/2004 Summer 428/221
2009/0233483 A1 * 9/2009 Huixiong et al. 439/585
2011/0315906 A1 * 12/2011 Ohuchi et al. 251/129.11
2013/0273762 A1 * 10/2013 Natoli 439/275
2015/0017827 A1 * 1/2015 Vaccaro 439/275

* cited by examiner

Primary Examiner — Thomas Johannes

Assistant Examiner — Shawn T Gingrich

(74) *Attorney, Agent, or Firm* — Babcock IP, PLLC

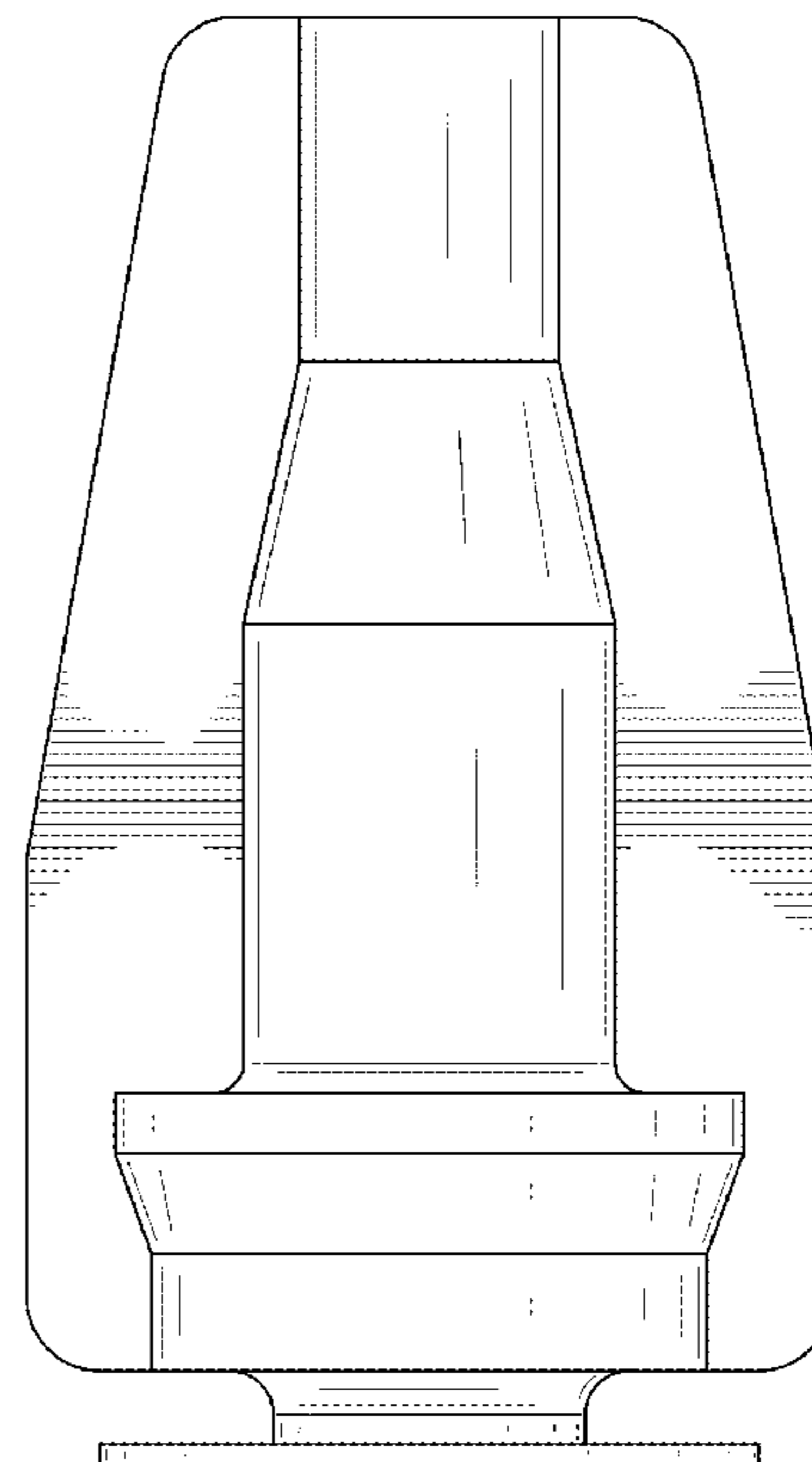
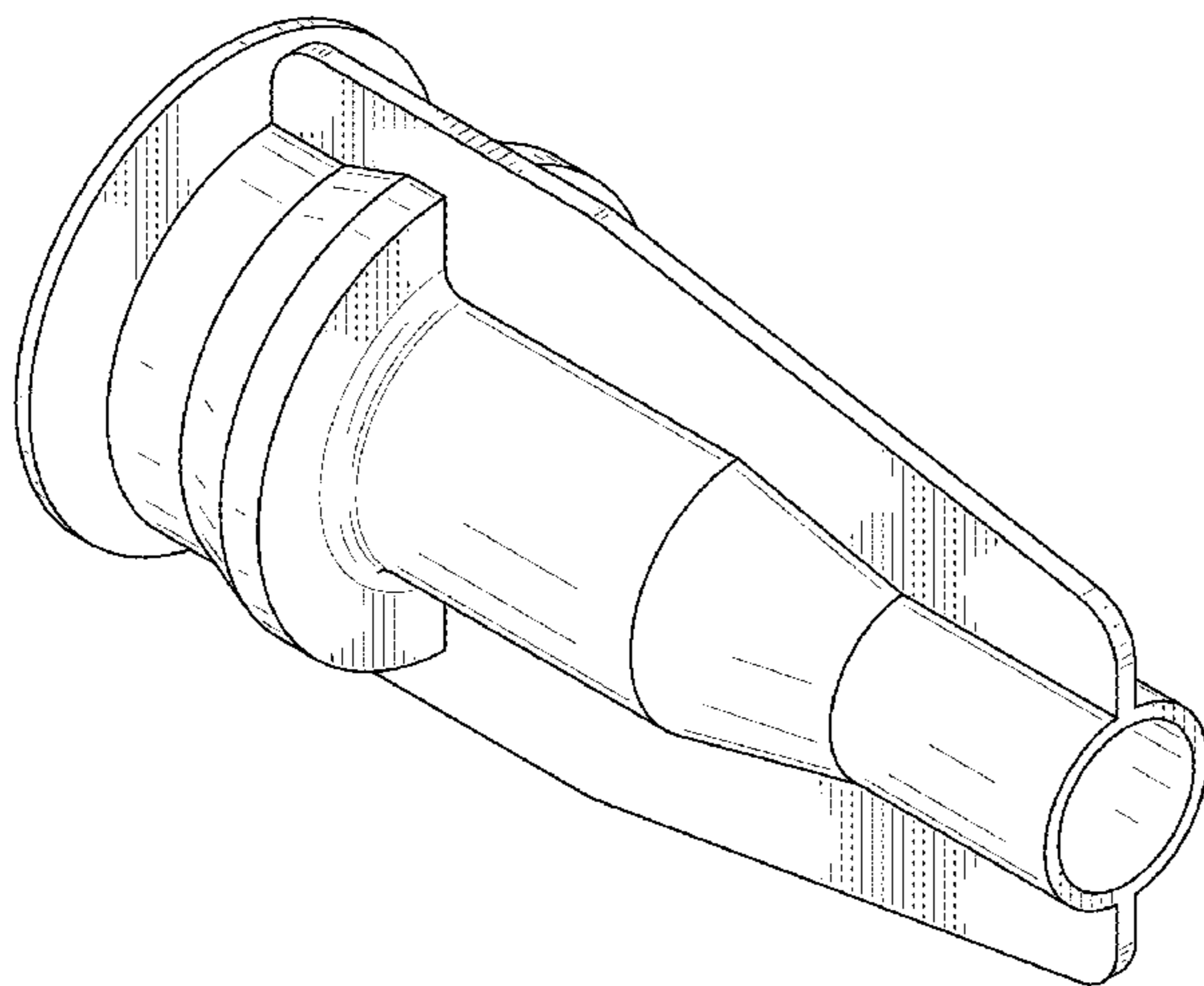
(57) **CLAIM**

The ornamental design for an interconnection seal, as shown and described.

DESCRIPTION

FIG. 1 is a perspective back view of the interconnection seal showing my new design;
FIG. 2 is a perspective front view thereof;
FIG. 3 is a left side view thereof, the right side being a mirror image;
FIG. 4 is a top side view thereof, the bottom side being a mirror image;
FIG. 5 is a back view thereof; and,
FIG. 6 is a front view thereof.

1 Claim, 5 Drawing Sheets



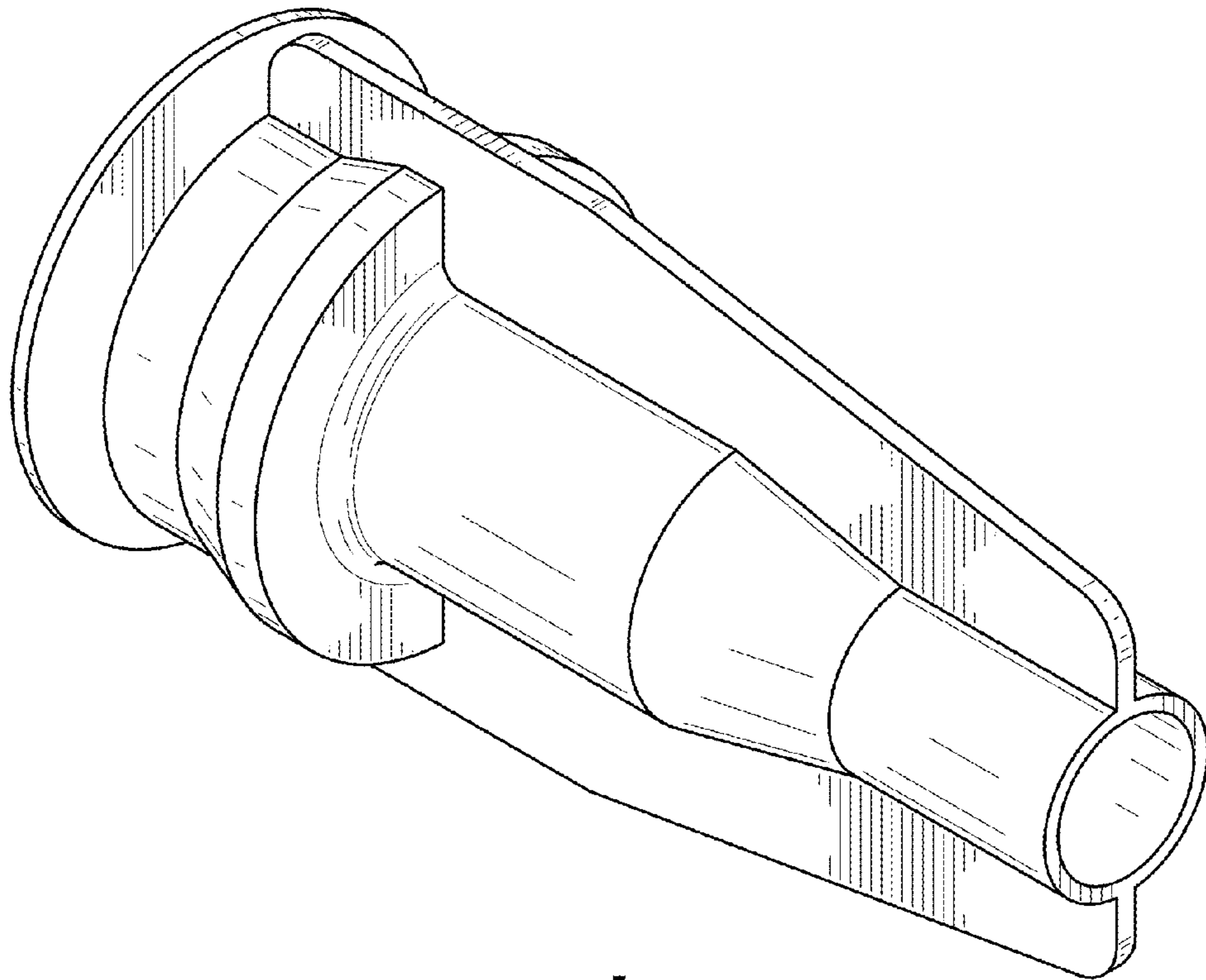


FIG. 1

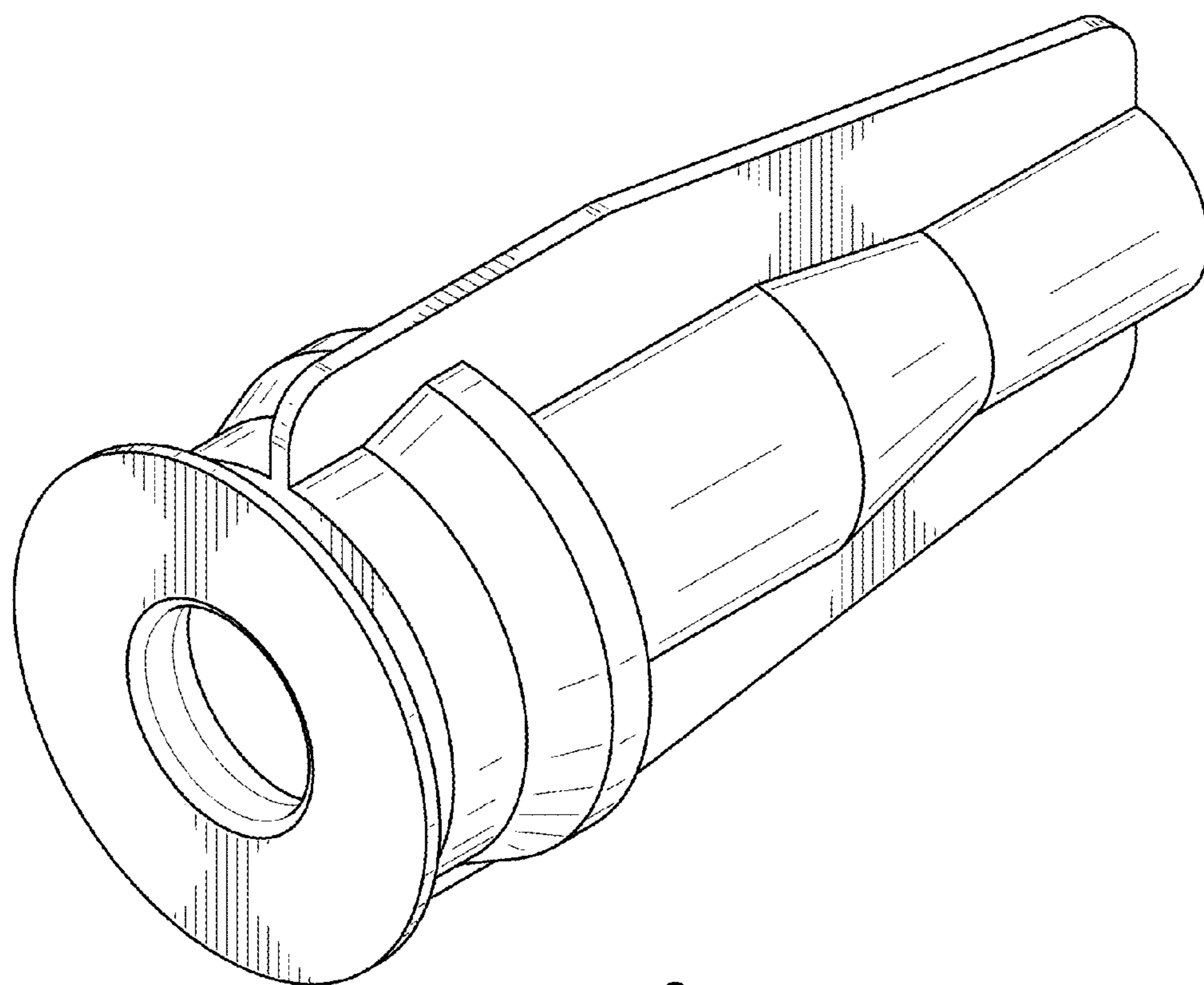


FIG. 2

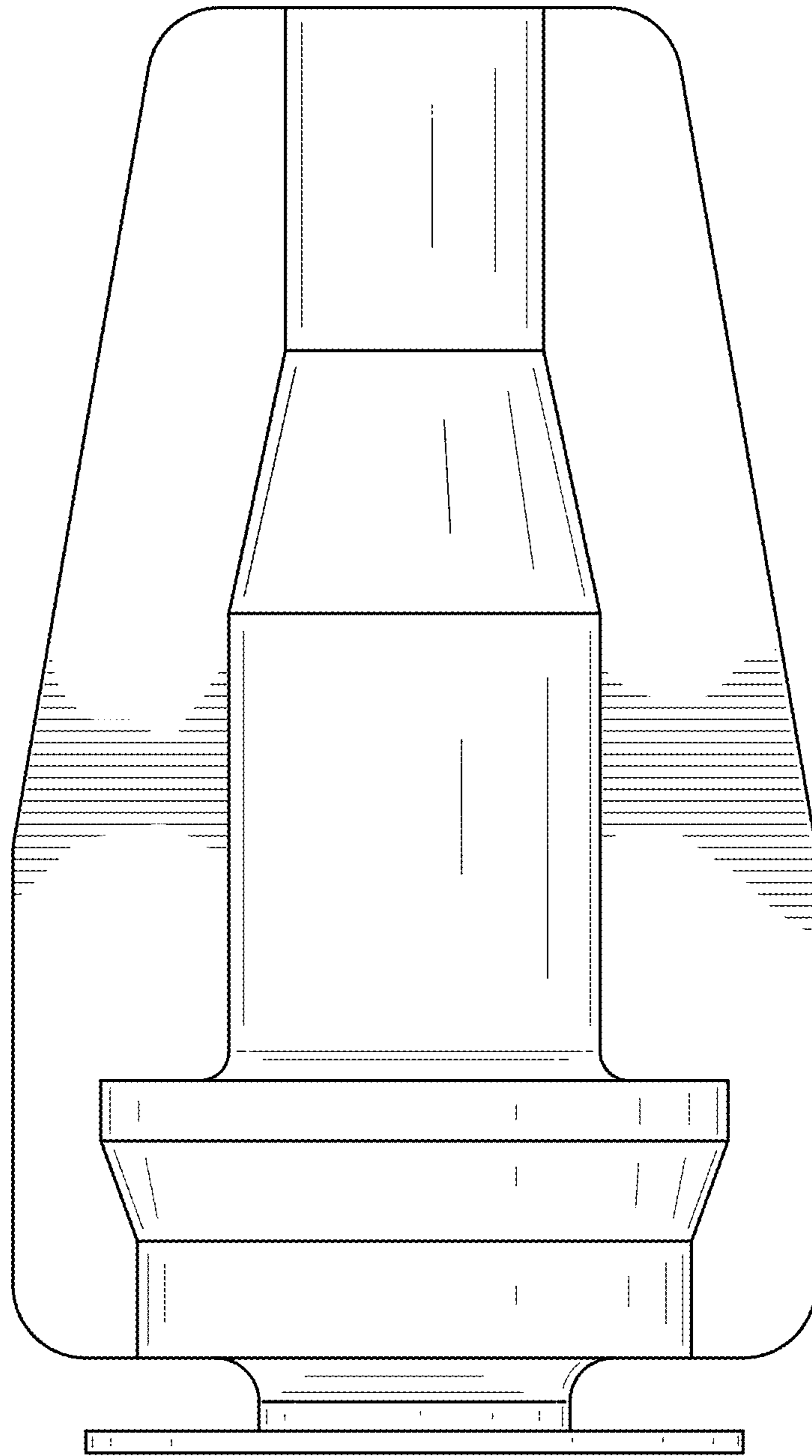


FIG. 3

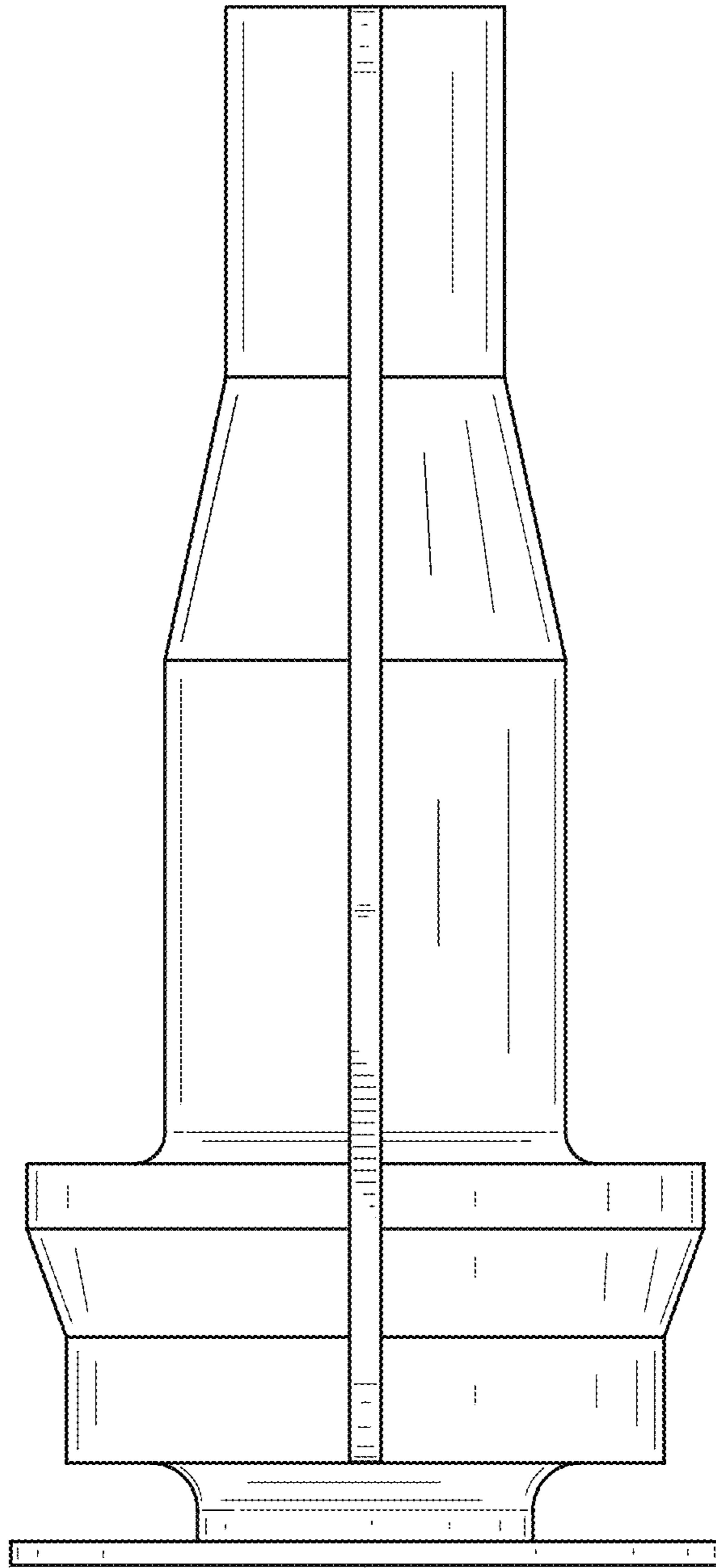


FIG. 4

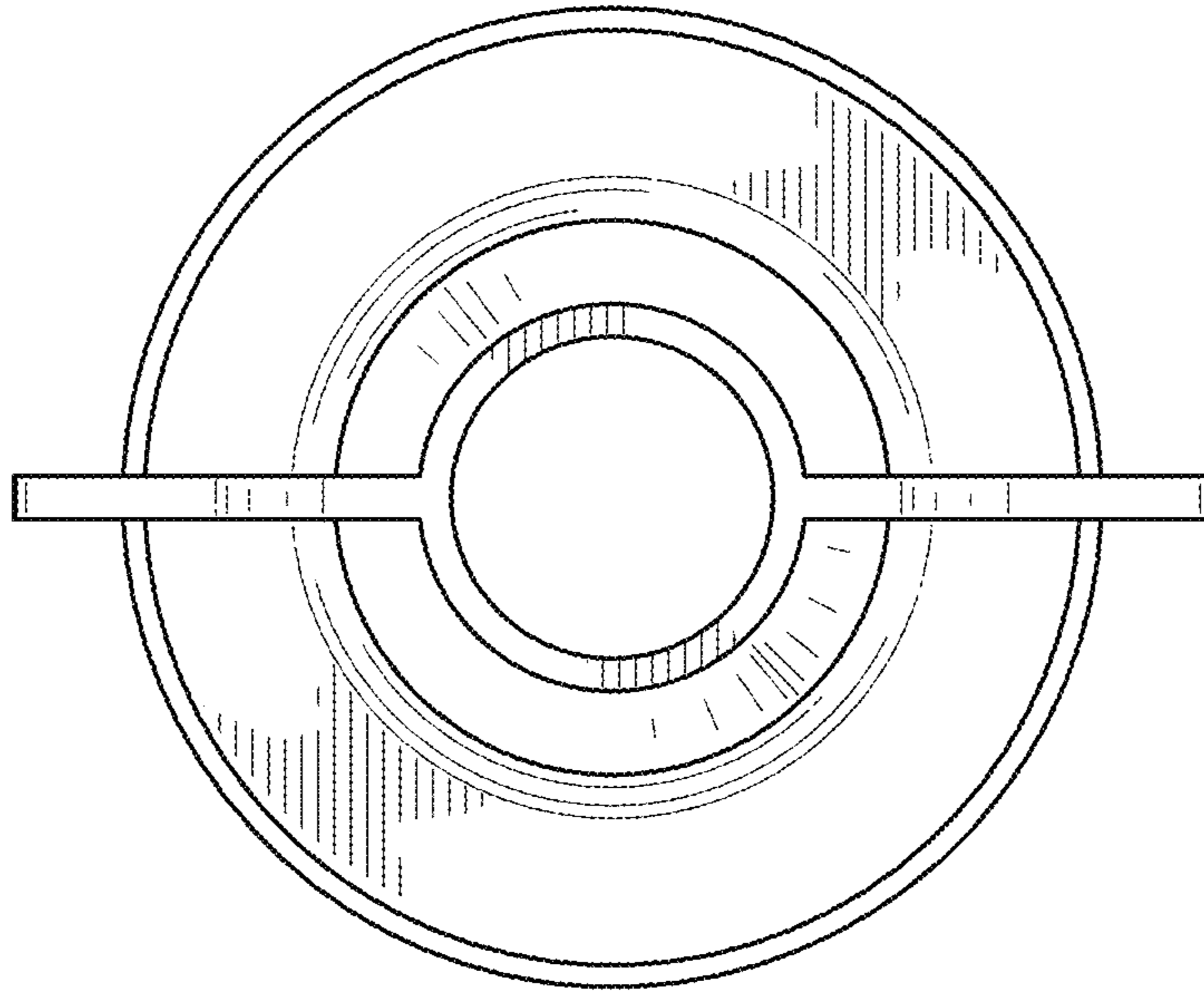


FIG. 5

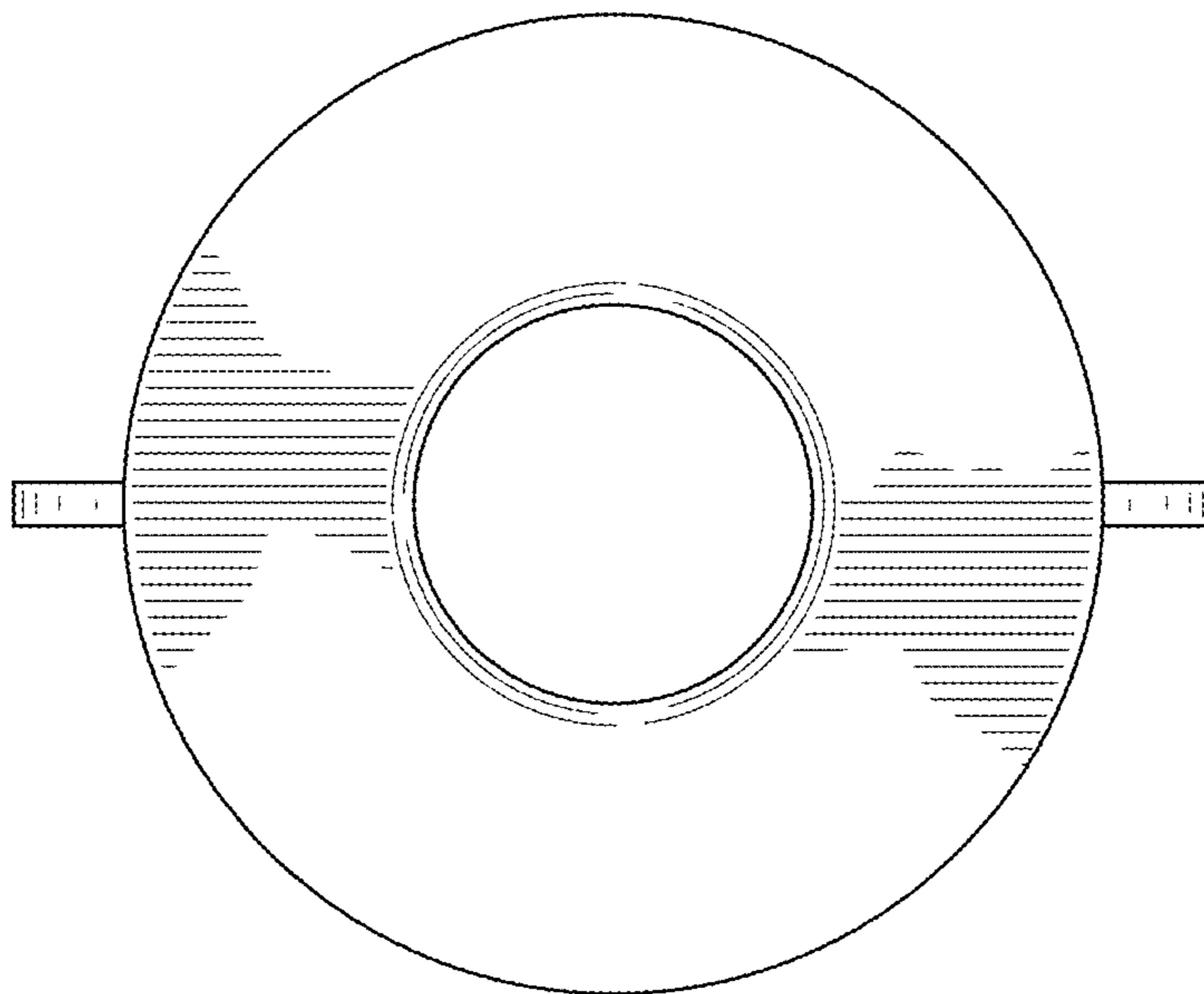


FIG. 6