



US00D729166S

(12) **United States Design Patent**  
**Baba**

(10) **Patent No.:** **US D729,166 S**  
(45) **Date of Patent:** **\*\* May 12, 2015**

(54) **CONNECTOR FOR PROBE FOR AN  
ULTRASONIC DIAGNOSIS APPARATUS**

FOREIGN PATENT DOCUMENTS

(71) Applicants: **Kabushiki Kaisha Toshiba**, Minato-ku,  
Tokyo (JP); **Toshiba Medical Systems  
Corporation**, Otawara-shi, Tochigi-ken  
(JP)

CN	3524658	5/2006
CN	3663732	6/2007
JP	1287586	12/2006
JP	1354495	3/2009
KR	30-0533472	7/2009

\* cited by examiner

(72) Inventor: **Noriaki Baba**, Tokyo (JP)

*Primary Examiner* — Daniel Bui

(73) Assignees: **Kabushiki Kaisha Toshiba**, Tokyo (JP);  
**Toshiba Medical Systems Corporation**,  
Tochigi-ken (JP)

*Assistant Examiner* — Shawn T Gingrich

(74) *Attorney, Agent, or Firm* — Banner & Witcoff, Ltd.

(\*\*) Term: **14 Years**

(57) **CLAIM**

The ornamental design for a connector for probe for an ultra-  
sonic diagnosis apparatus, as shown and described.

(21) Appl. No.: **29/465,213**

(22) Filed: **Aug. 26, 2013**

**DESCRIPTION**

(30) **Foreign Application Priority Data**

Feb. 28, 2013 (JP) ..... 2013-004168

(51) **LOC (10) Cl.** ..... **13-03**

(52) **U.S. Cl.**  
USPC ..... **D13/133**

(58) **Field of Classification Search**

CPC ..... A61B 1/00; A61B 6/00; A61N 7/00;  
H03C 7/02

USPC ..... D13/133, 147, 154, 184, 199; D10/57,  
D10/60, 80; D24/107, 137, 158, 186, 187,  
D24/232

See application file for complete search history.

FIG. 1 is a front, top and left side perspective view of a  
connector for probe for an ultrasonic diagnosis apparatus,  
showing my new design;

FIG. 2 is a front, top and right side perspective view thereof;

FIG. 3 is a front, bottom and left side perspective view  
thereof;

FIG. 4 is a front view thereof, the opposite side being a mirror  
image thereof;

FIG. 5 is a right side view thereof;

FIG. 6 is a left side view thereof;

FIG. 7 is a top view thereof;

FIG. 8 is a bottom view thereof;

FIG. 9 is an enlarged cross sectional view thereof, taken along  
the line 9-9 in FIG. 4, with its internal mechanisms omitted;  
and,

FIG. 10 is an enlarged cross sectional view thereof, taken  
along the line 10-10 in FIG. 6, with its internal mechanisms  
omitted.

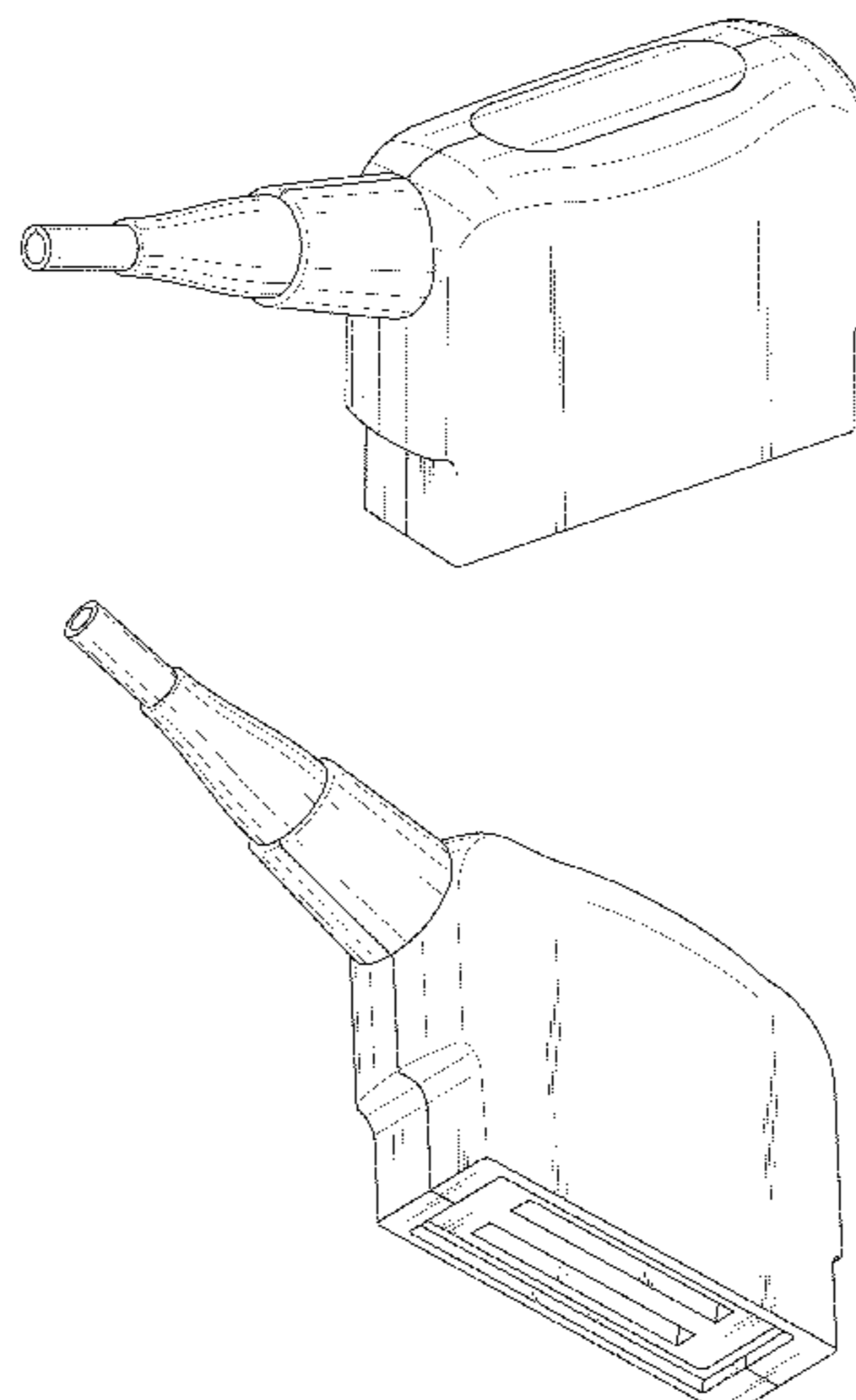
The broken lines shown in FIGS. 9-10 are for environmental  
purposes only and form no part of the claimed design.

(56) **References Cited**

U.S. PATENT DOCUMENTS

D471,870 S *	3/2003	Lee	.....	D13/147
D566,284 S *	4/2008	Kitayama et al.	.....	D24/186
D579,410 S *	10/2008	Hanada et al.	.....	D13/110
D603,520 S *	11/2009	Ninomiya et al.	.....	D24/187
D692,564 S *	10/2013	Ninomiya et al.	.....	D24/187
D700,969 S *	3/2014	Kim	.....	D24/187

**1 Claim, 4 Drawing Sheets**



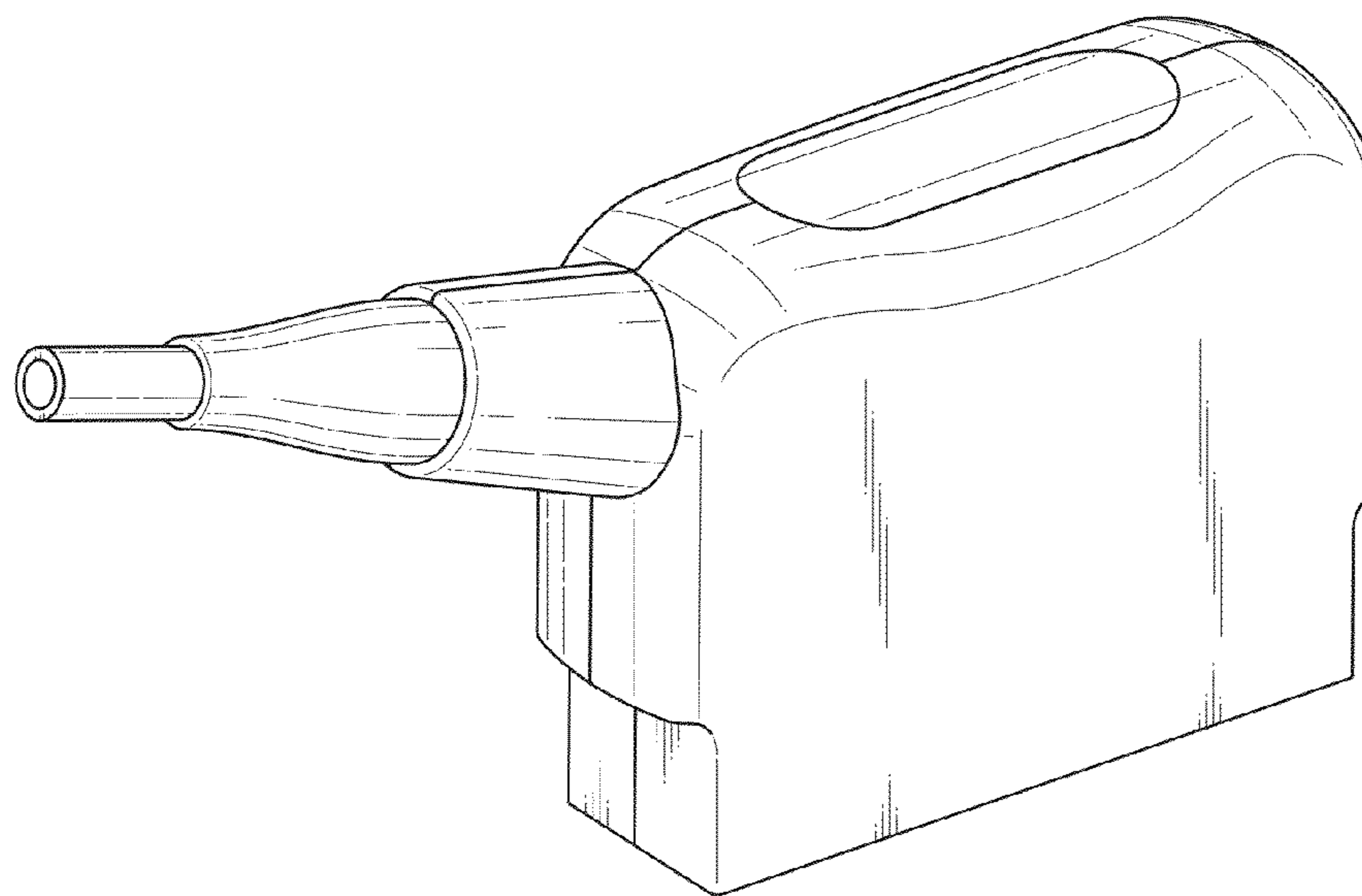


FIG. 1

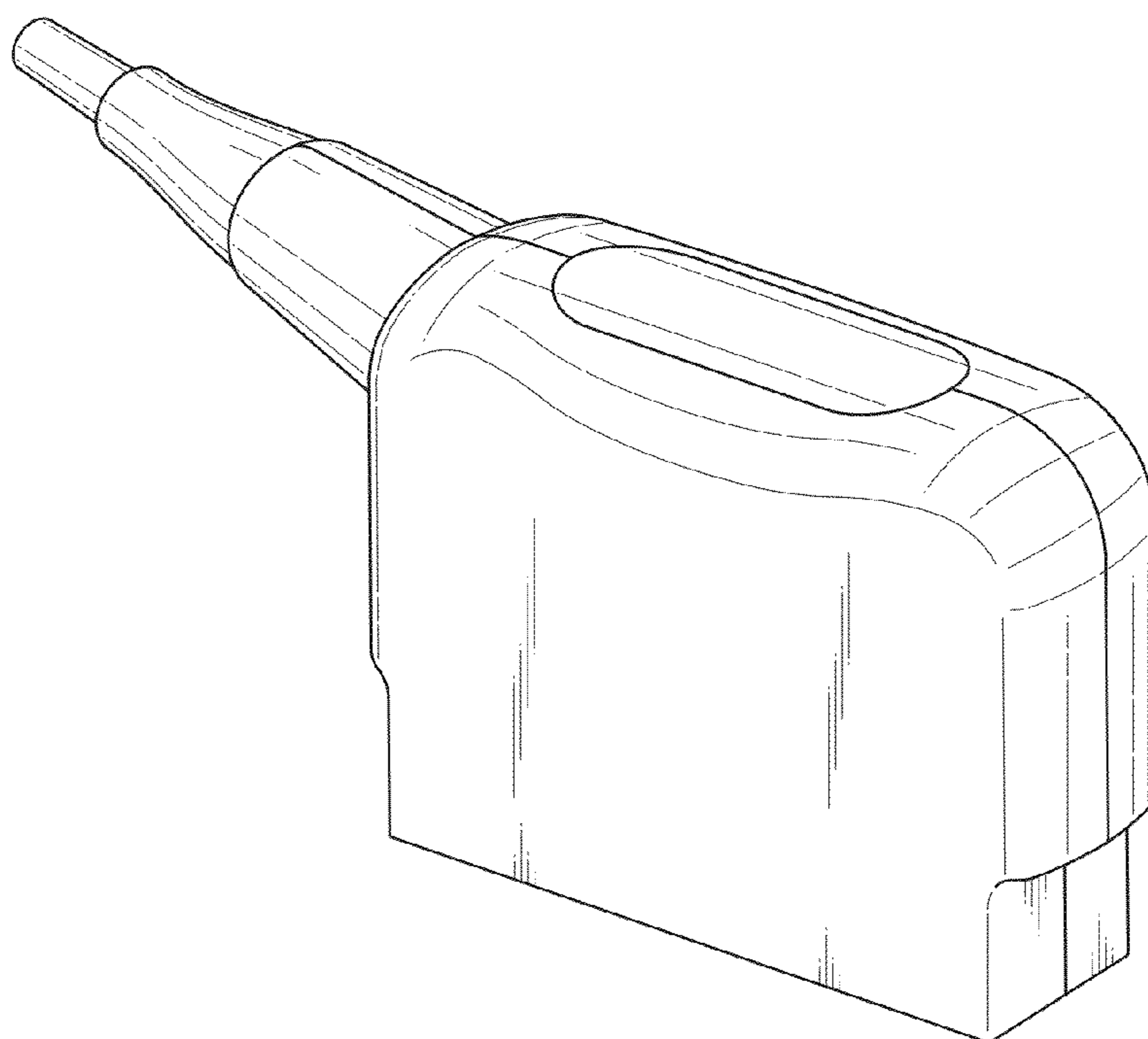


FIG. 2

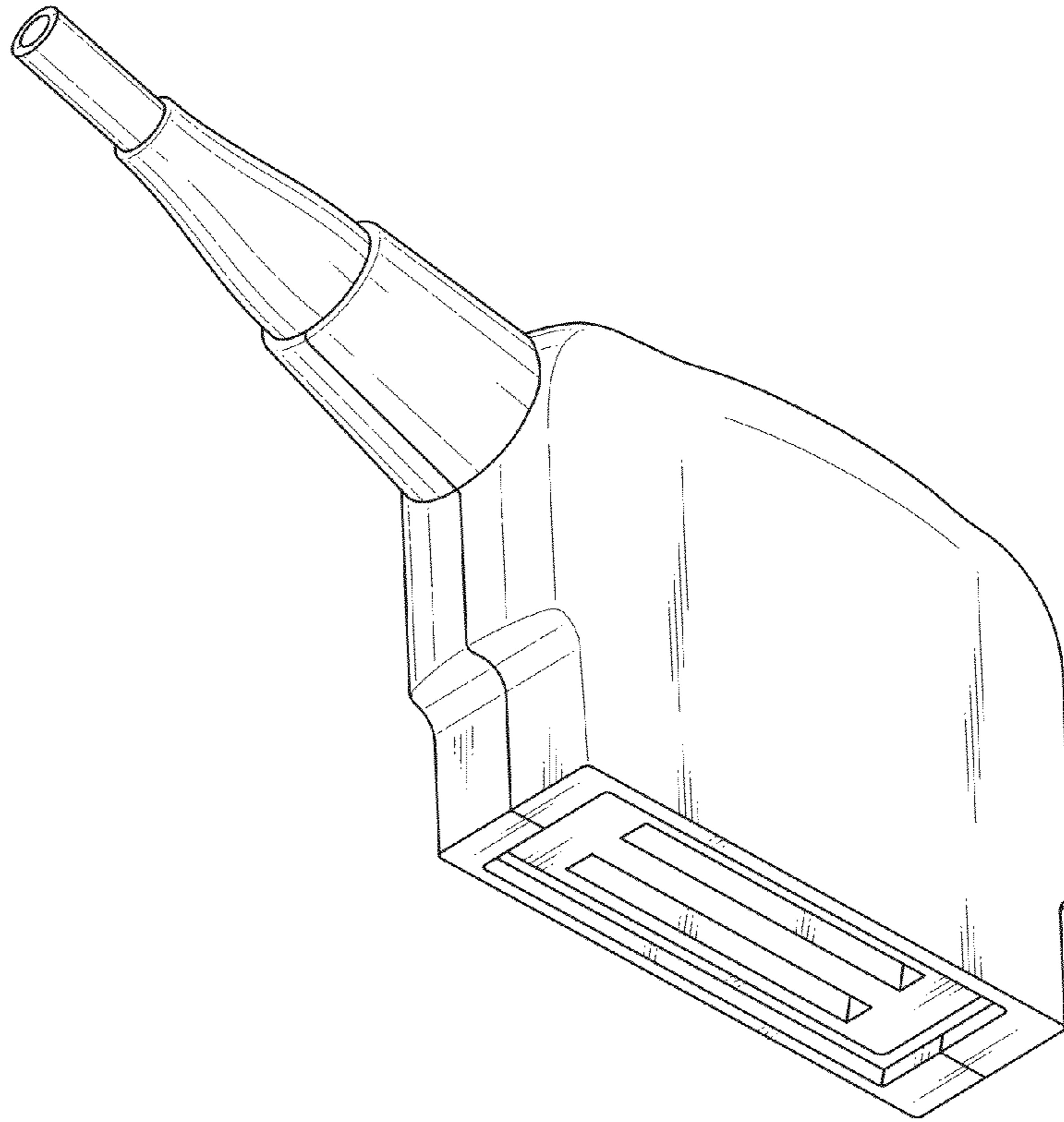


FIG. 3

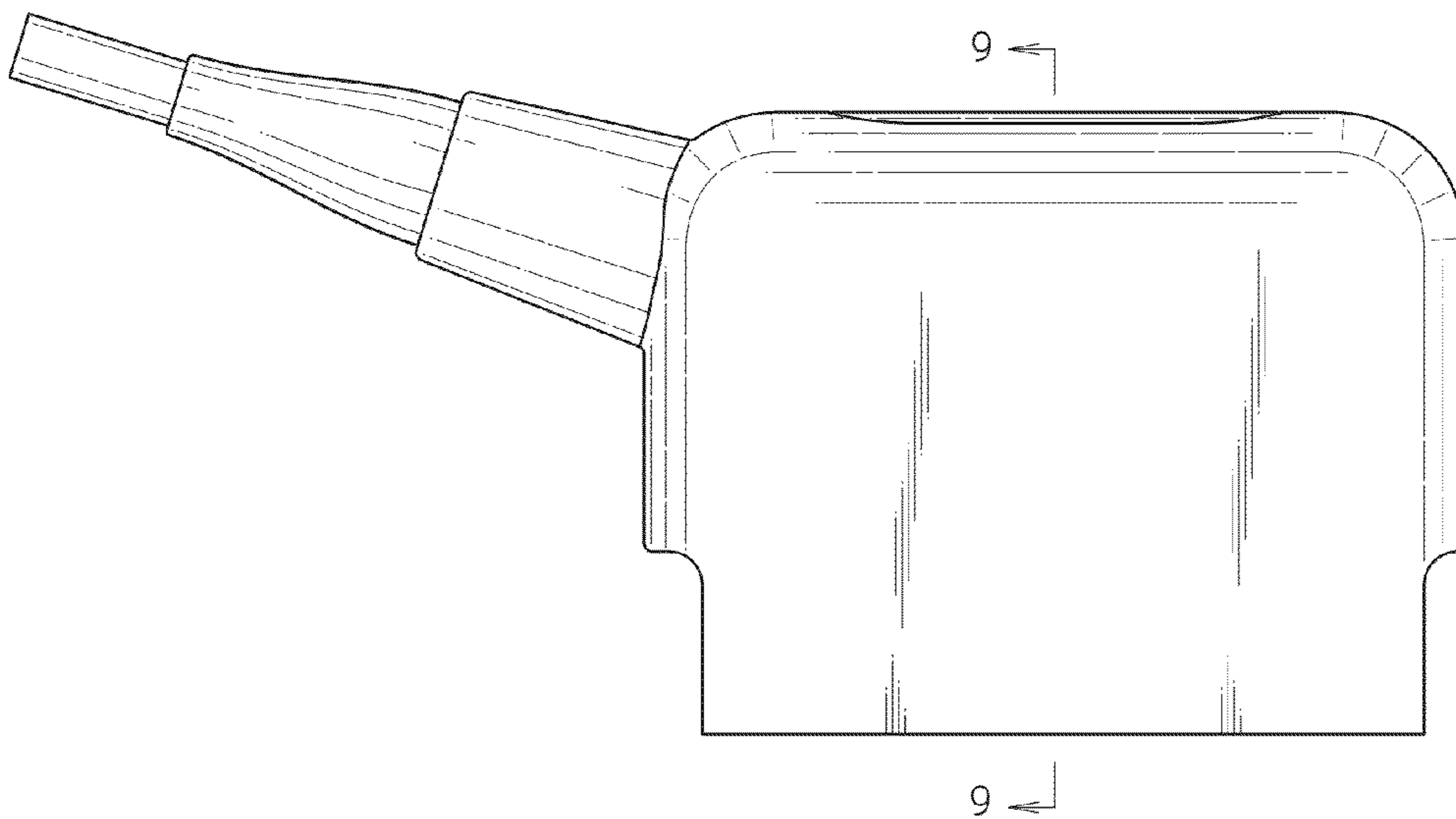


FIG. 4

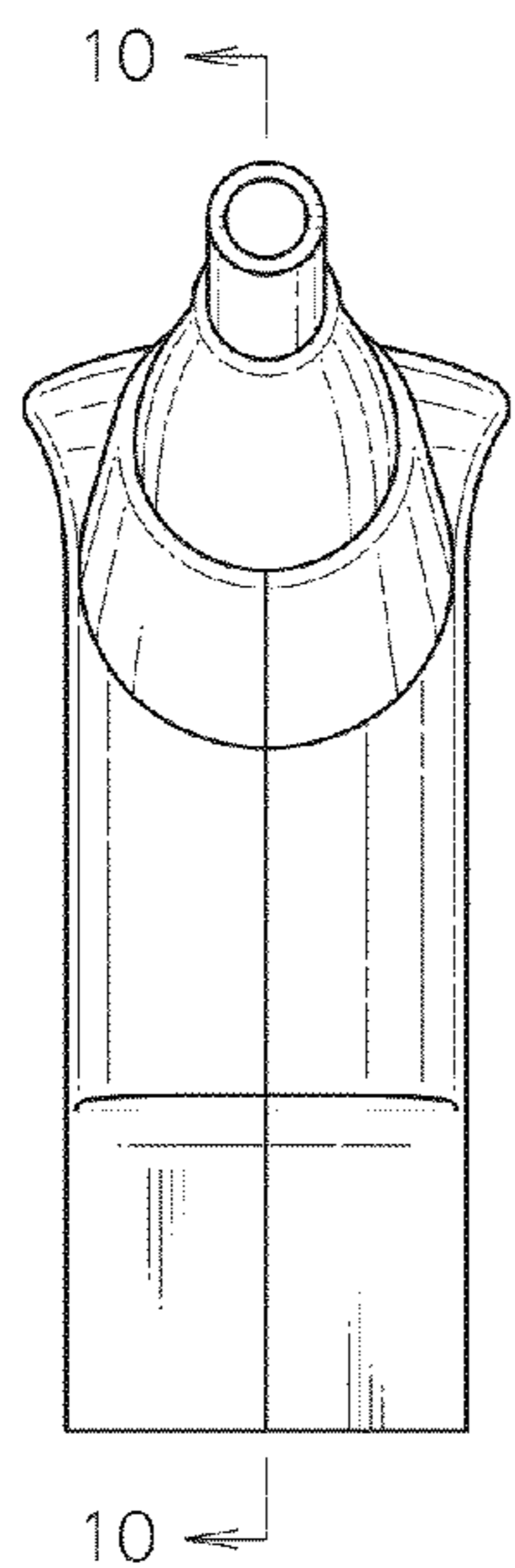


FIG. 6

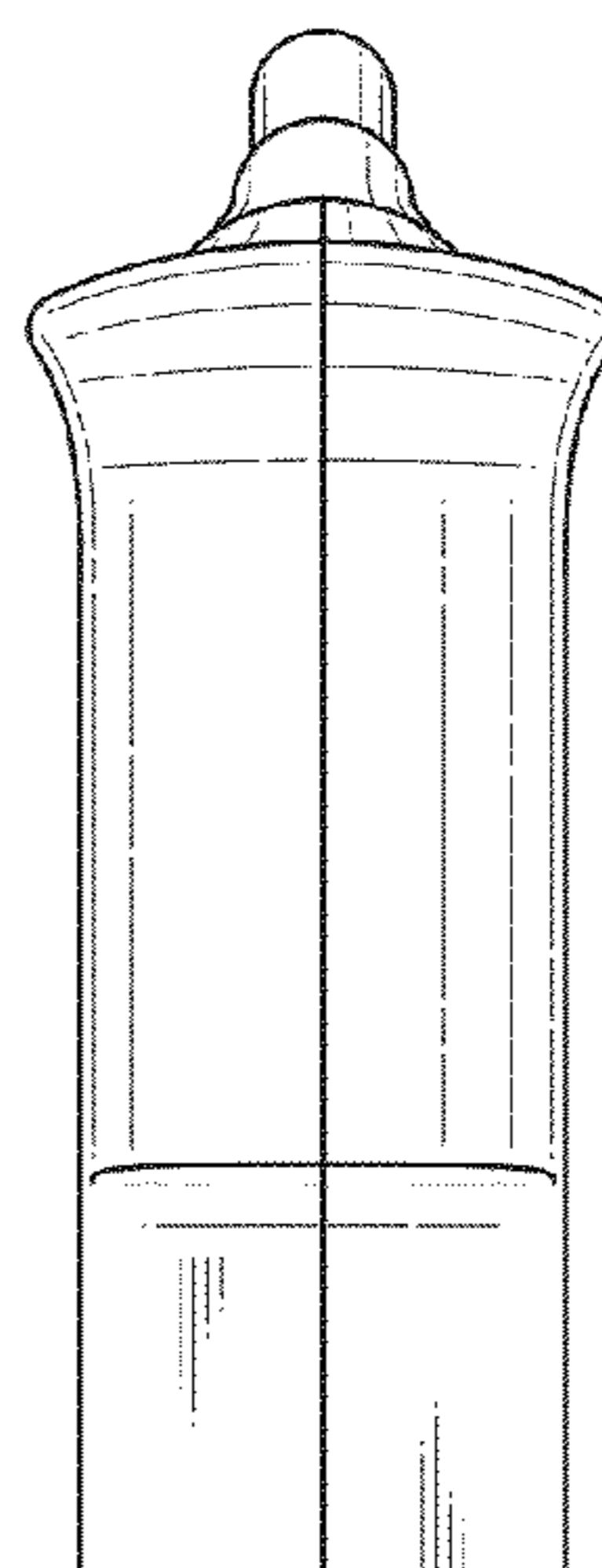


FIG. 5

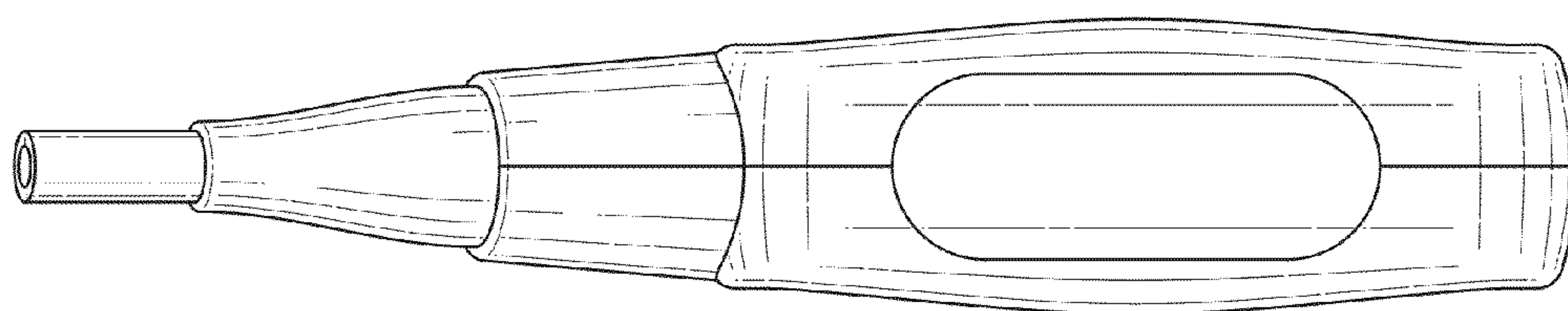


FIG. 7

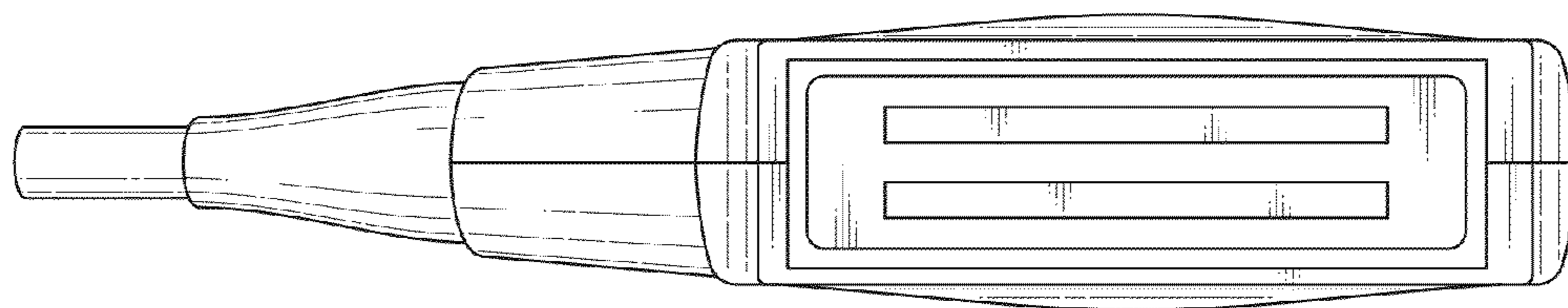


FIG. 8

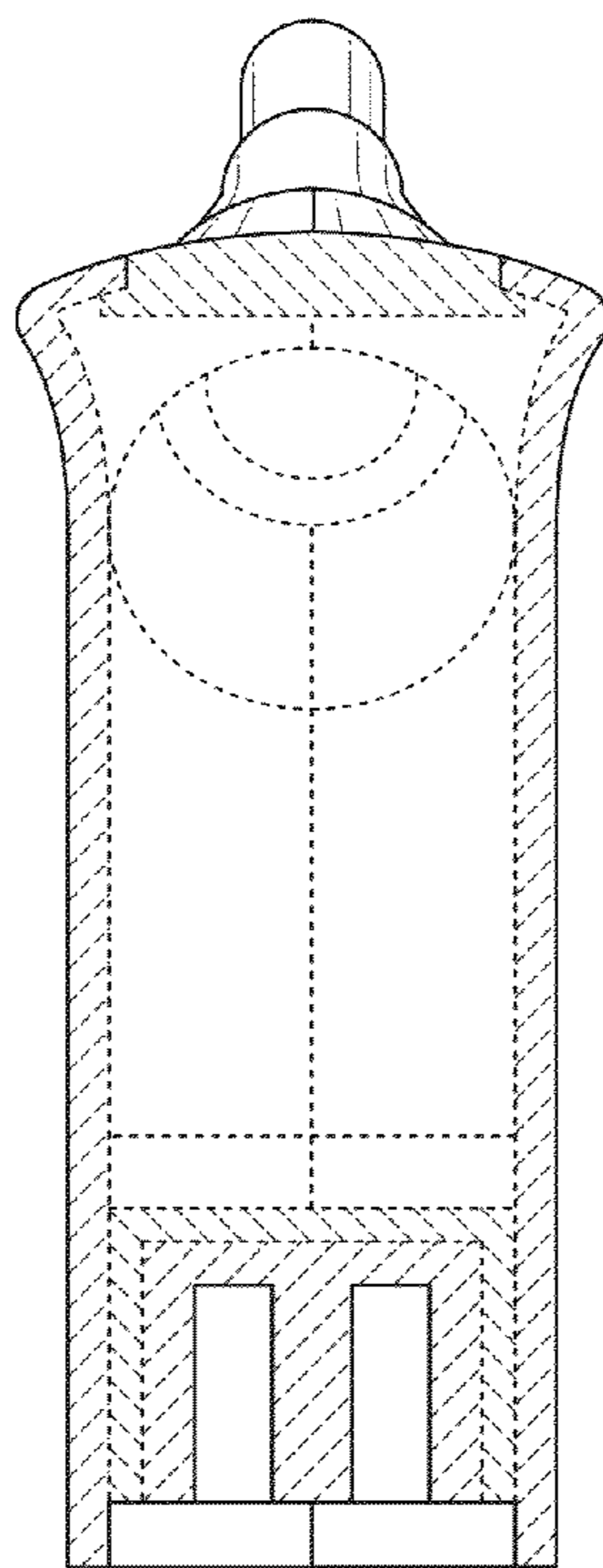


FIG. 9

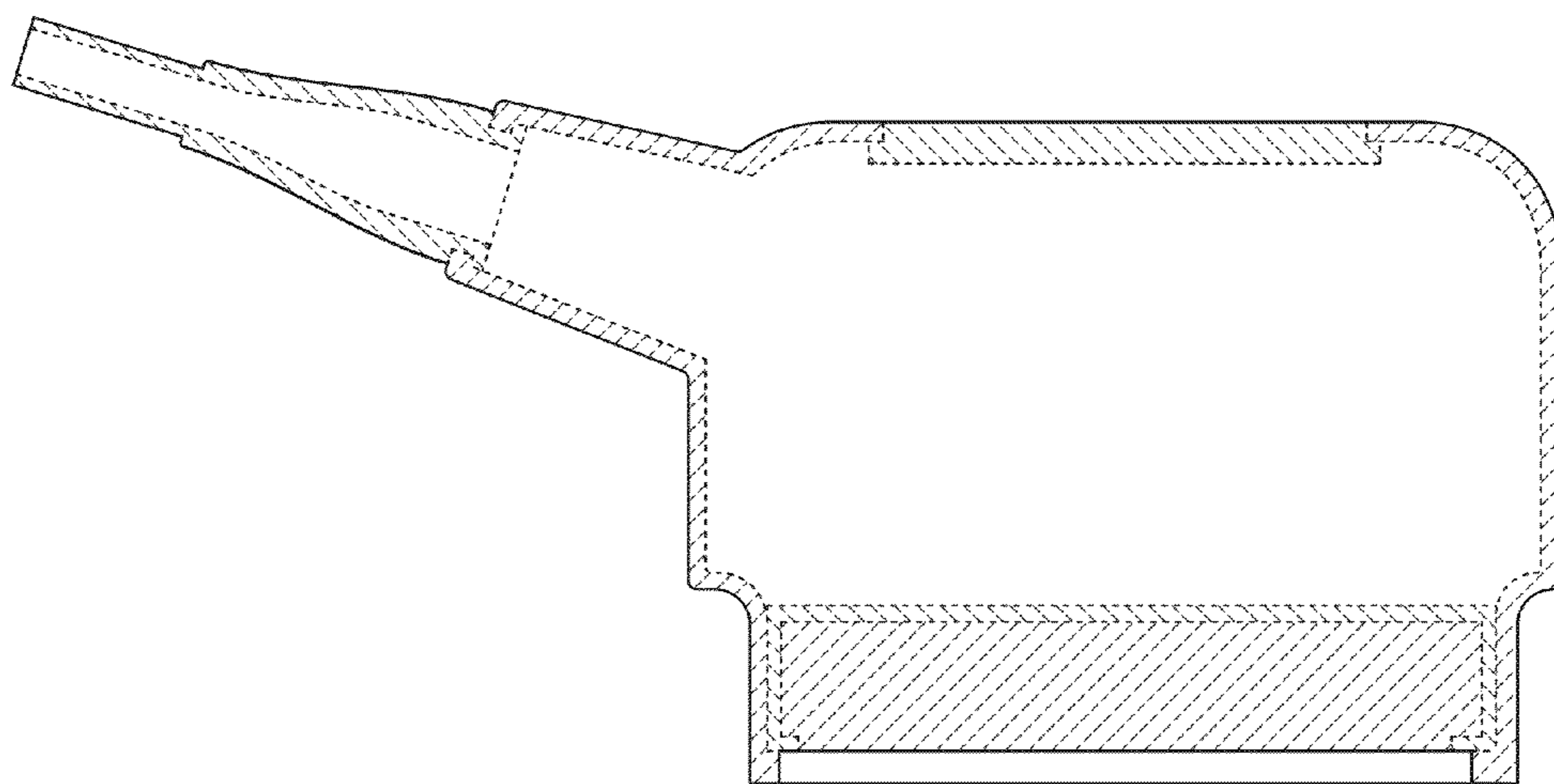


FIG. 10