



US00D729164S

(12) **United States Design Patent**
Chen

(10) **Patent No.:** **US D729,164 S**
(45) **Date of Patent:** **** May 12, 2015**

(54) **CAPACITOR**

137/343; 200/43.14, 50.01,
200/50.21–50.23; 361/44, 115, 608, 634,
361/679.01

(71) Applicant: **Foshan City Shunde District Lun Jiao
Sheng Ye Electrical Co., Ltd**, Foshan,
Guangdong (CN)

See application file for complete search history.

(72) Inventor: **Wenjun Chen**, Guangdong (CN)

(56) **References Cited**

(73) Assignee: **Foshan City Shunde District Lun Jiao
Sheng Ye Electrical Co., Ltd**, Foshan
(CN)

U.S. PATENT DOCUMENTS

(**) Term: **14 Years**

D122,825	S	*	10/1940	Peck	D13/125
D209,054	S	*	10/1967	Braiman et al.	D13/125
D210,210	S	*	2/1968	Braiman et al.	D13/125
D251,780	S	*	5/1979	Bowsky	D13/126
D263,217	S	*	3/1982	Kauffman	D13/160
D263,218	S	*	3/1982	Kauffman	D13/160
D511,746	S	*	11/2005	Lu	D13/110
D522,456	S	*	6/2006	Matsumoto et al.	D13/125
7,251,123	B2	*	7/2007	O'Phelan et al.	361/523
D621,789	S	*	8/2010	Wang et al.	D13/151
8,537,522	B2	*	9/2013	Stockman	361/301.5
2014/0049205	A1	*	2/2014	Curiel	318/785

(21) Appl. No.: **29/475,881**

(22) Filed: **Dec. 8, 2013**

* cited by examiner

(30) **Foreign Application Priority Data**

Sep. 2, 2013 (CN) 2013 3 0422295

Primary Examiner — Thomas Johannes

(51) **LOC (10) Cl.** **13-03**

Assistant Examiner — Shawn T Gingrich

(52) **U.S. Cl.**

USPC **D13/124**

(58) **Field of Classification Search**

(57) **CLAIM**

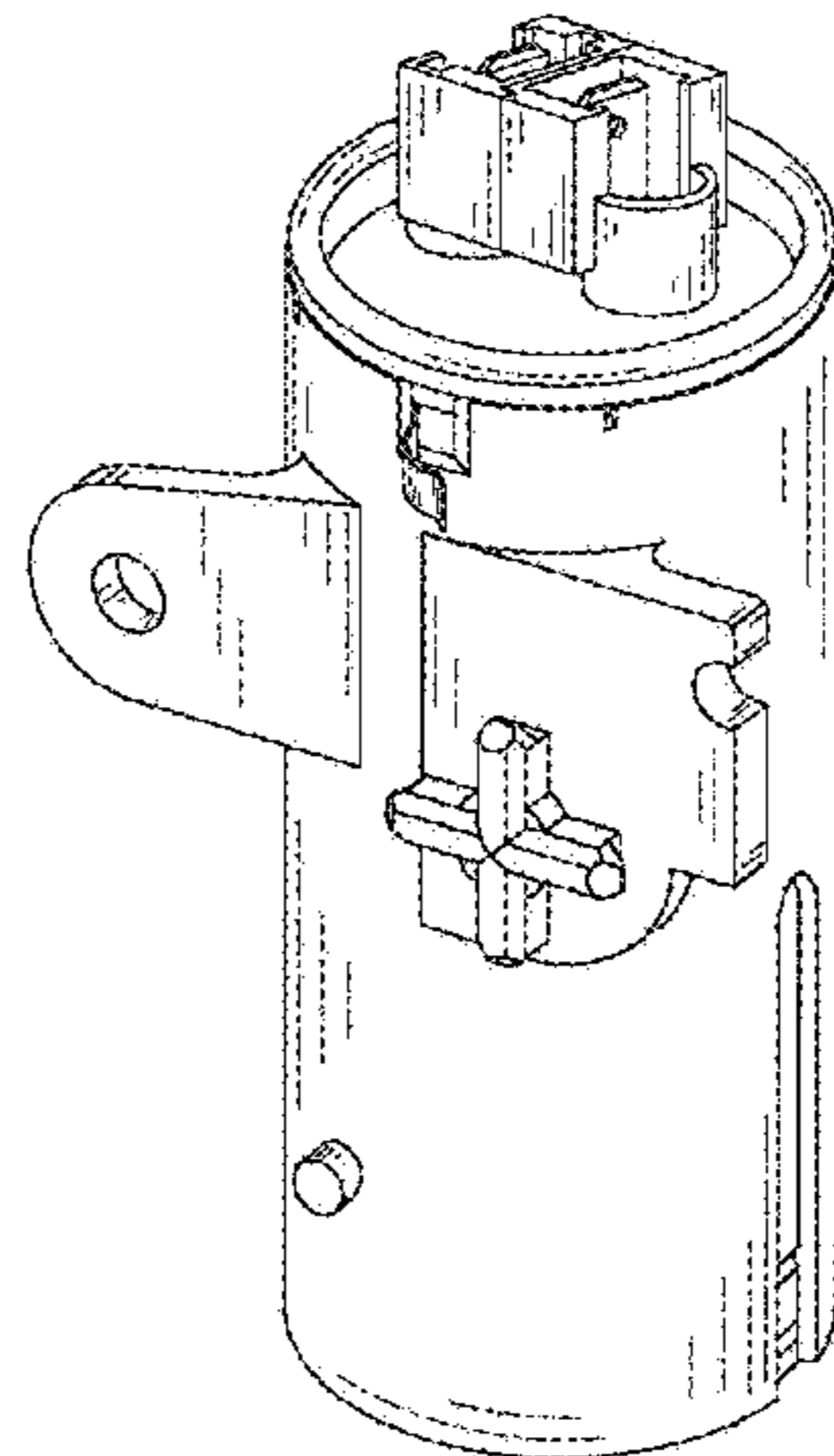
The ornamental design for a capacitor, as shown and described.

CPC H01H 11/00; H01H 19/02; H01H 19/10;
H01H 19/28; H01H 19/36; H01H 19/64;
H01H 1/06; H01H 1/2041; H01H 1/42;
H01H 2071/0292; H01H 2071/042; H01H
33/08; H01H 33/12; H01H 33/42; H01H 3/30;
H01H 3/3015; H01H 71/025; H01H 71/04;
H01H 71/1054; H01H 9/167; H01H 9/281;
H01H 9/282; H05K 7/1432; H01G 9/008;
H01G 4/32; H01G 9/10; H01G 4/28; A61N
1/3975; F15B 15/1428; F15B 11/0365;
F15B 15/084; F15B 15/1414; F15B 15/1433;
F15B 2211/7056; Y02E 60/13; H01T 13/08;
H01T 13/06; H01T 13/20; A61G 7/1019;
A61G 7/1044; A61G 7/1076
USPC D13/110, 112, 122–128, 133, 147,
D13/158–160, 162, 184, 199; D14/300,
D14/308, 311–314, 348, 349, 356; 60/476;

DESCRIPTION

FIG. 1 is a perspective view of a capacitor showing my new design;
FIG. 2 is a front view of the capacitor shown in FIG. 1;
FIG. 3 is a rear view of the capacitor shown in FIG. 1;
FIG. 4 is a left view of the capacitor shown in FIG. 1;
FIG. 5 is a right view of the capacitor shown in FIG. 1;
FIG. 6 is a top view of the capacitor shown in FIG. 1; and,
FIG. 7 is a bottom view of the capacitor shown in FIG. 1.
The broken lines in the drawings are included to show unclaimed subject matter only and form no part of the claimed design.

1 Claim, 6 Drawing Sheets



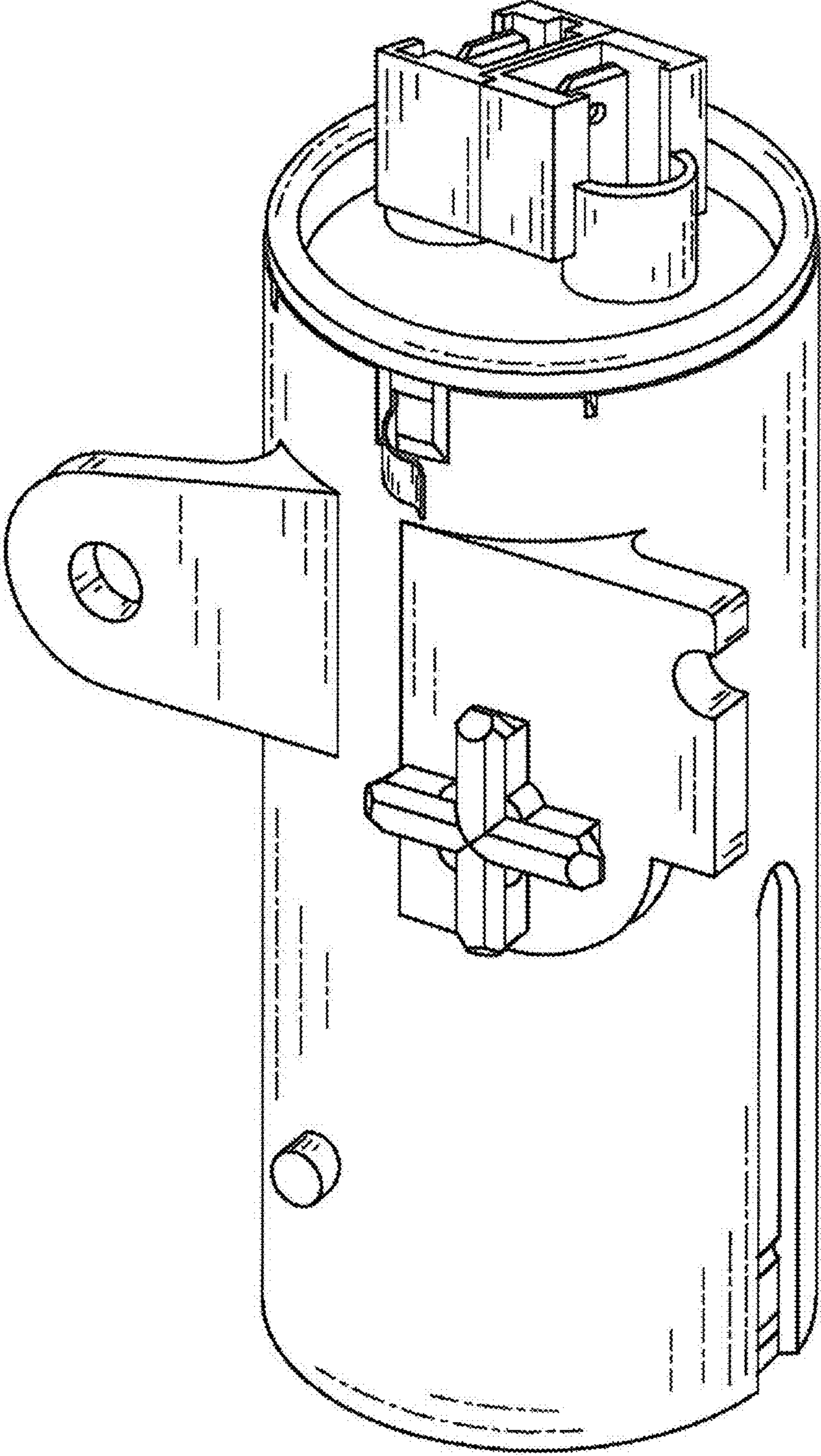


FIG. 1

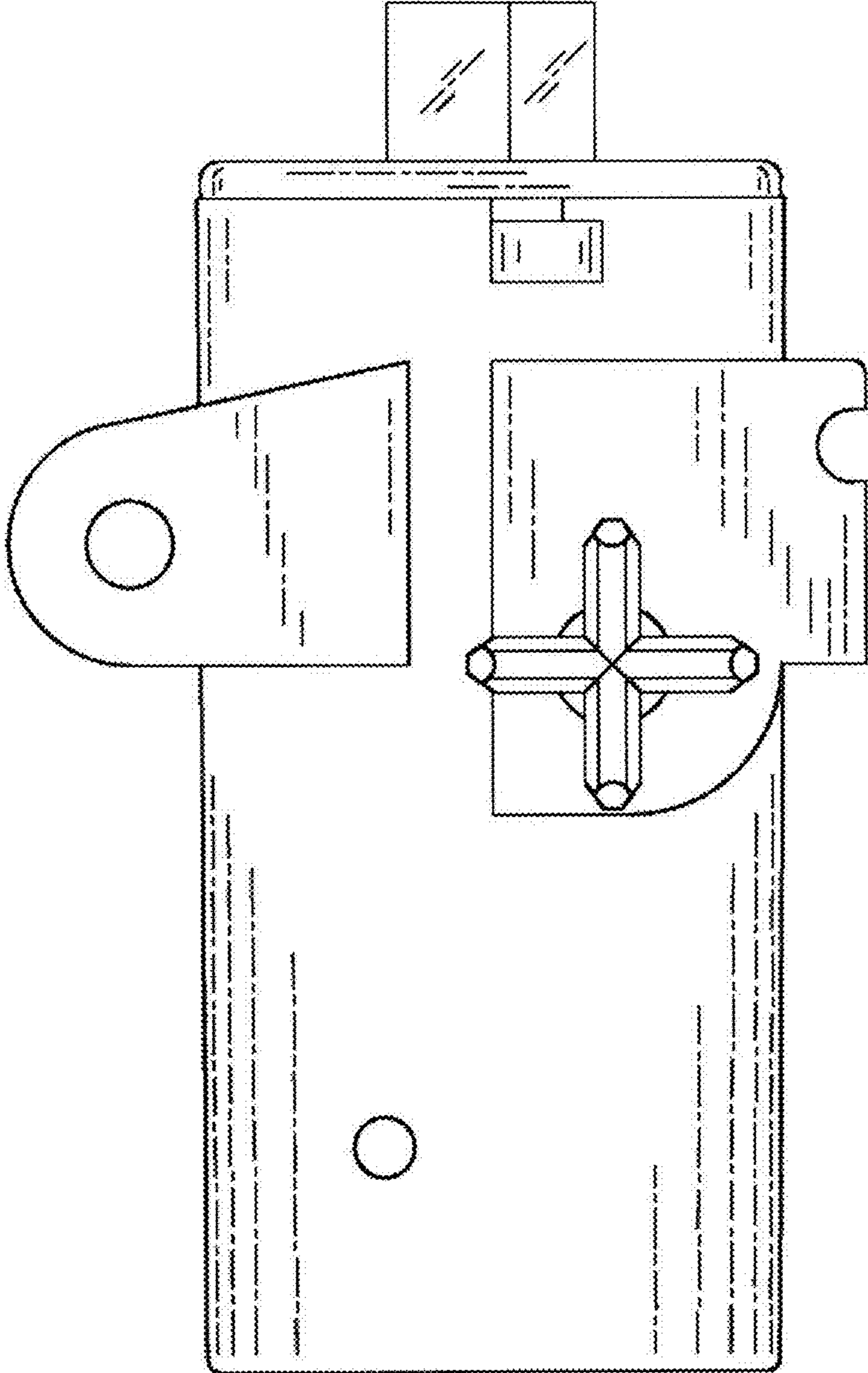


FIG. 2

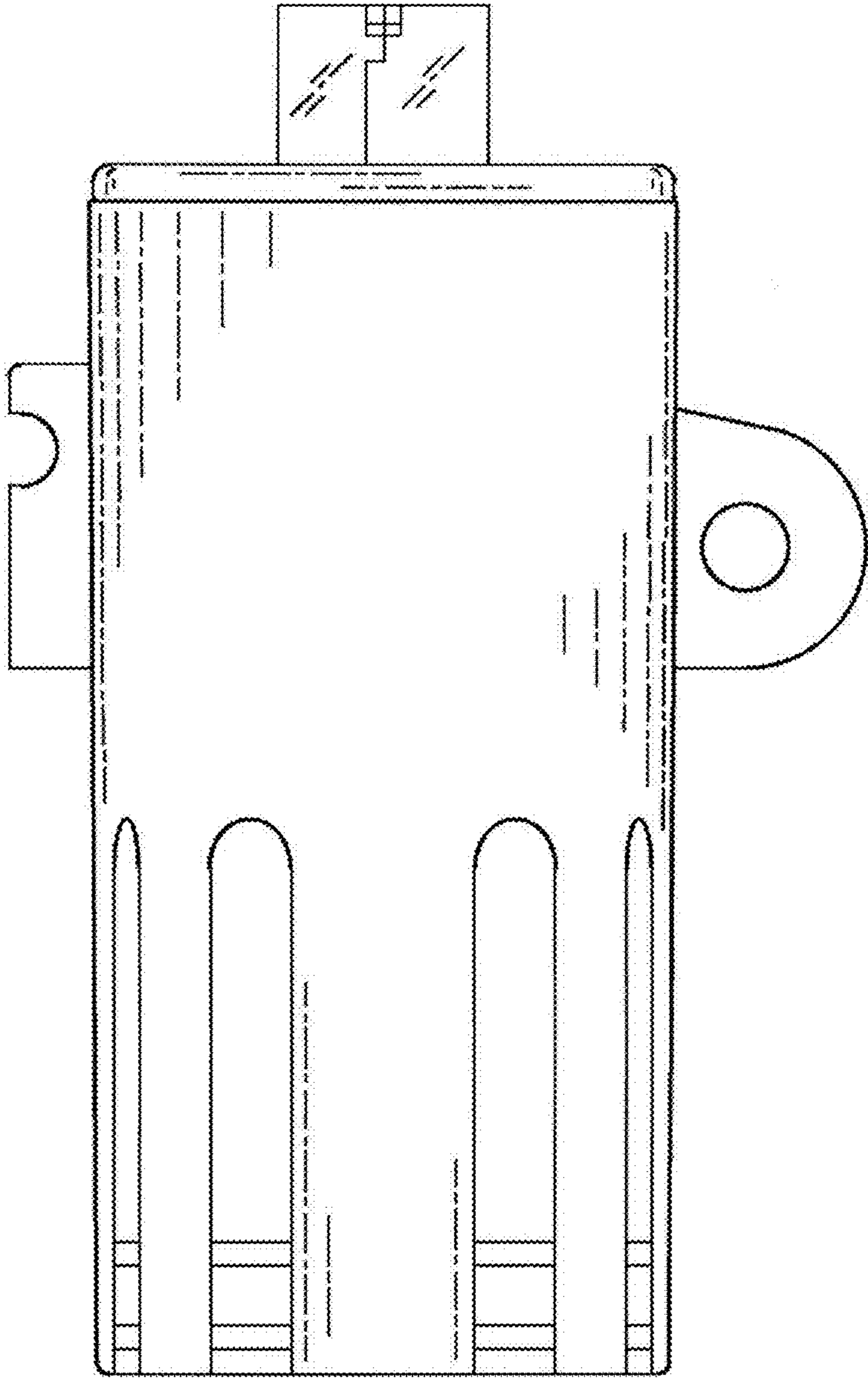


FIG. 3

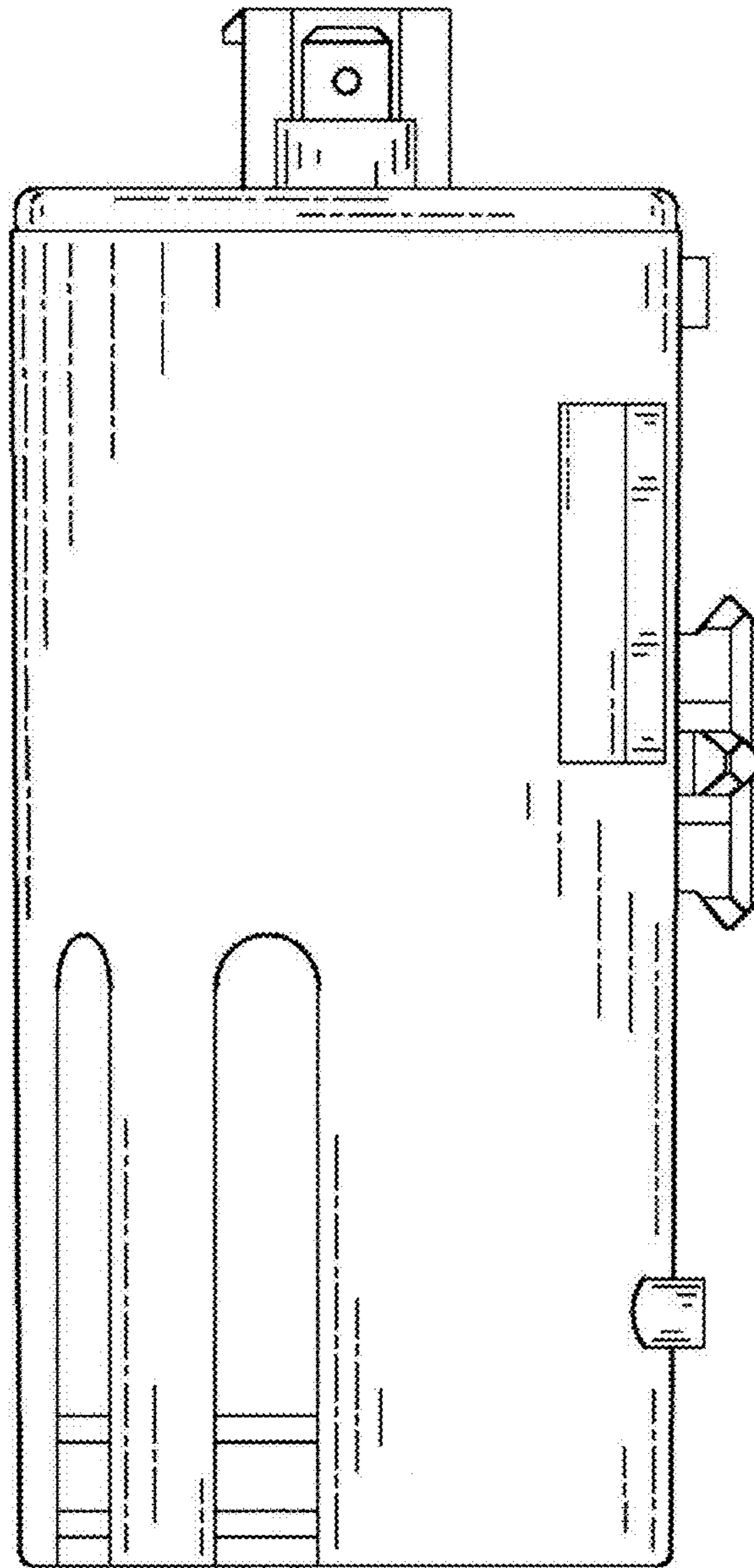


FIG. 4

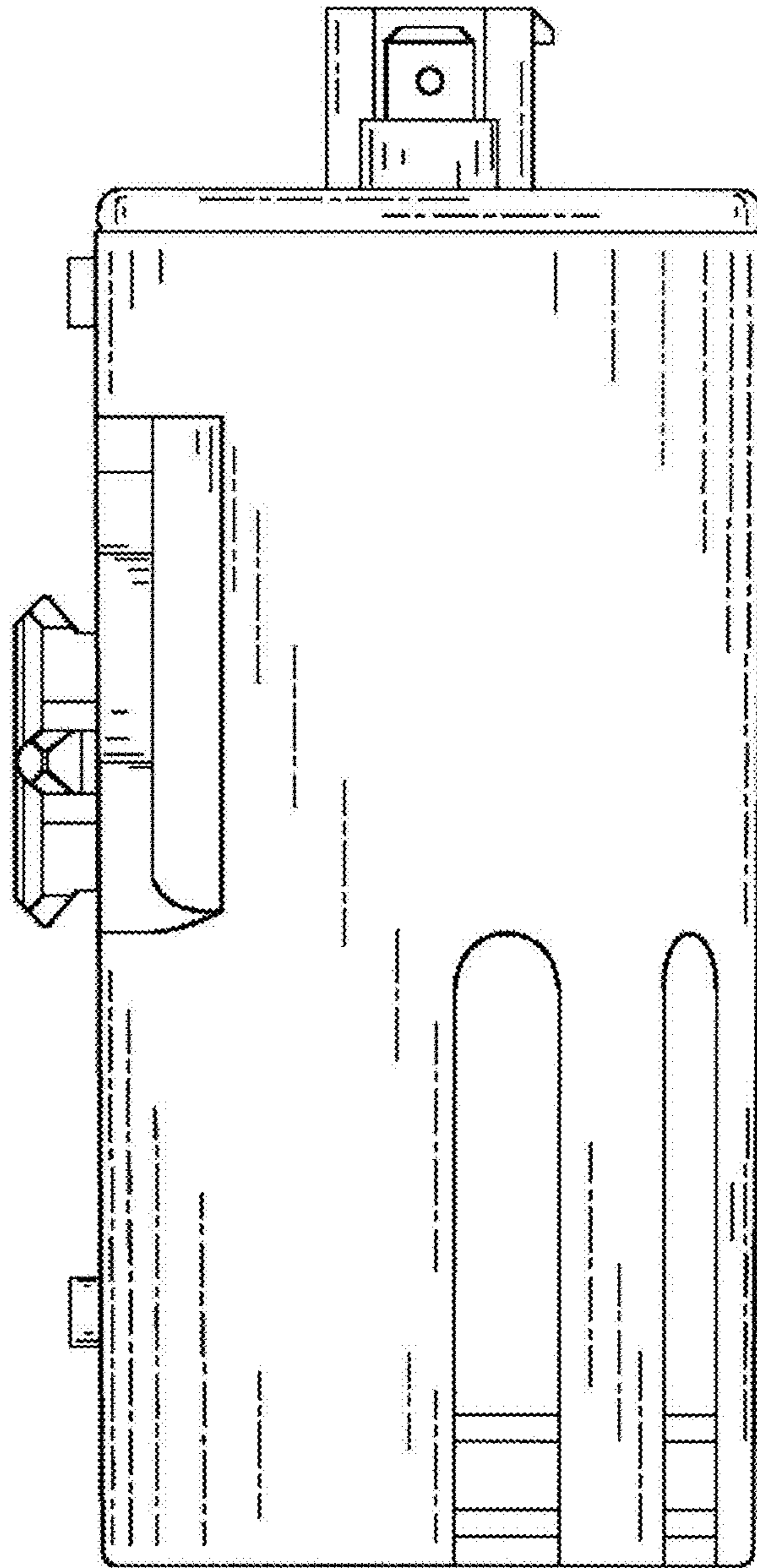


FIG. 5

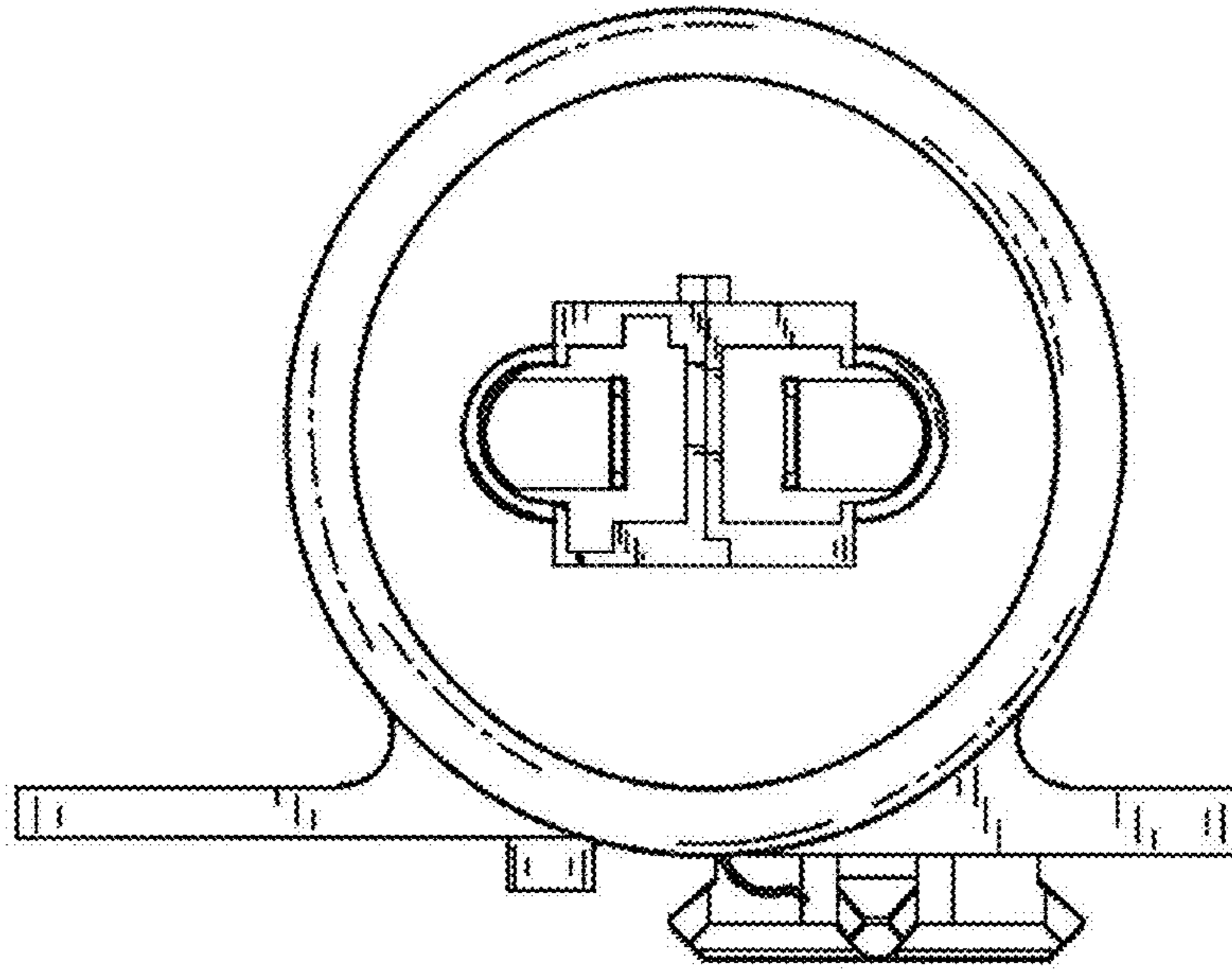


FIG. 6

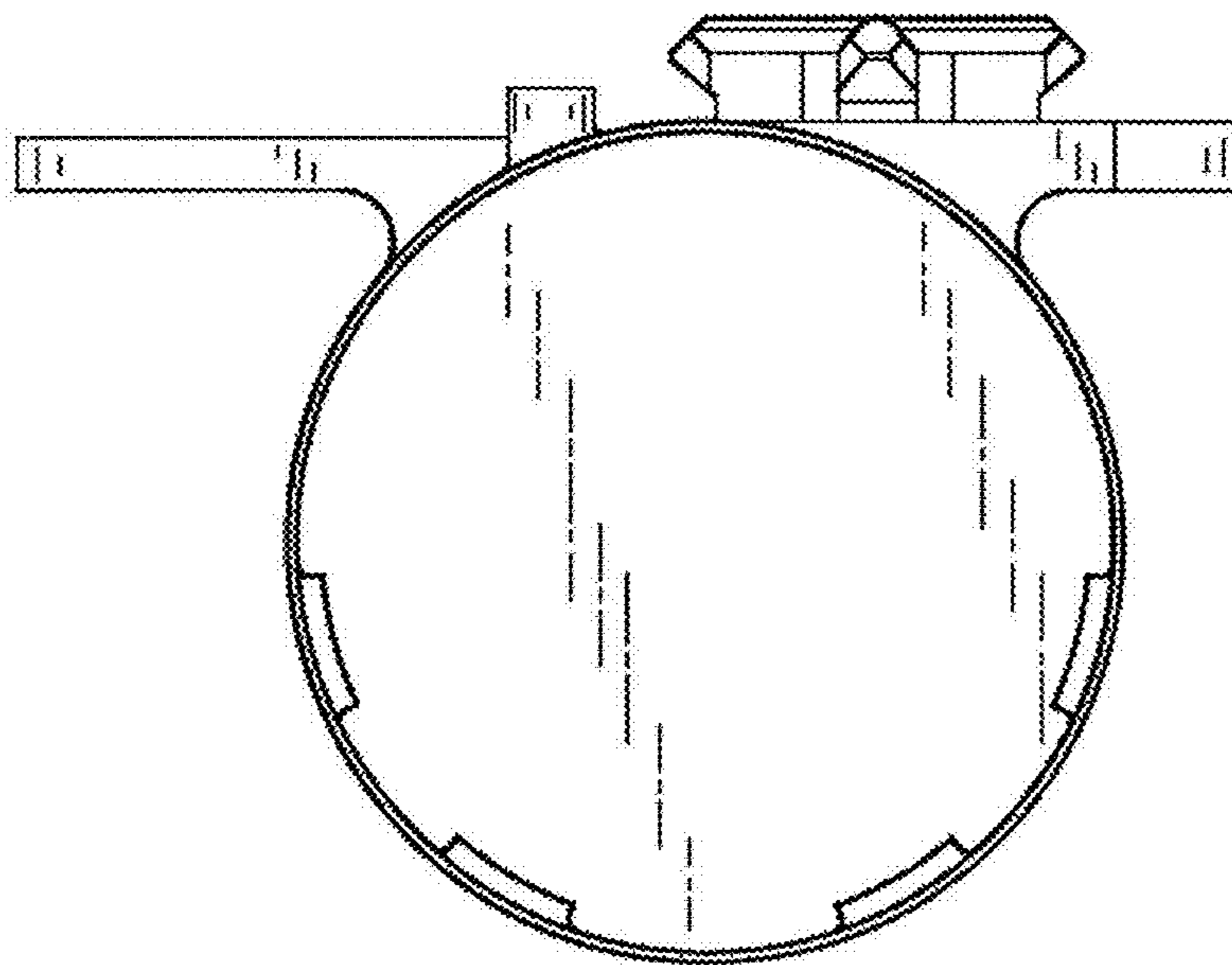


FIG. 7

UNITED STATES PATENT AND TRADEMARK OFFICE
CERTIFICATE OF CORRECTION

PATENT NO. : D729,164 S
APPLICATION NO. : 29/475881
DATED : May 12, 2015
INVENTOR(S) : Chen

Page 1 of 8

It is certified that error appears in the above-identified patent and that said Letters Patent is hereby corrected as shown below:

The Title page, showing the illustrative figures, should be deleted and substitute therefor the attached Title page.

Delete figs. 1-6 and substitute therefor the drawing sheets, consisting of figs. 1-6 as shown on the attached pages.

Signed and Sealed this
Twenty-ninth Day of December, 2015



Michelle K. Lee
Director of the United States Patent and Trademark Office

(12) **United States Design Patent** (10) **Patent No.:** **US D729,164 S**
Chen (45) **Date of Patent:** **** May 12, 2015**

(54) **CAPACITOR** 137/343; 200/43.14, 50.01,
 200/50.21-50.23; 361/44, 115, 608, 634,
 361/679.01

(71) **Applicant:** **Foshan City Shunde District Lun Jiao Sheng Ye Electrical Co., Ltd, Foshan, Guangdong (CN)**

See application file for complete search history.

(72) **Inventor:** **Wenjun Chen, Guangdong (CN)**

(56) **References Cited**

(73) **Assignee:** **Foshan City Shunde District Lun Jiao Sheng Ye Electrical Co., Ltd, Foshan (CN)**

U.S. PATENT DOCUMENTS

(**) **Term:** **14 Years**

D122,825 S *	10/1940	Peck	D13/125
D209,054 S *	10/1967	Braiman et al.	D13/125
D210,210 S *	2/1968	Braiman et al.	D13/125
D251,780 S *	5/1979	Bowsky	D13/126
D263,217 S *	3/1982	Kauffman	D13/160
D263,218 S *	3/1982	Kauffman	D13/160
D511,746 S *	11/2005	Lu	D13/110
D522,456 S *	6/2006	Matsumoto et al.	D13/125
7,251,123 B2 *	7/2007	O'Phelan et al.	361/523
D621,789 S *	8/2010	Wang et al.	D13/151
8,537,522 B2 *	9/2013	Stockman	361/301.5
2014/0049205 A1 *	2/2014	Curiel	318/785

(21) **Appl. No.:** **29/475,881**

(22) **Filed:** **Dec. 8, 2013**

(30) **Foreign Application Priority Data**

Sep. 2, 2013 (CN) 2013 3 0422295

* cited by examiner

(51) **LOC (10) CL** **13-03**

Primary Examiner — Thomas Johannes

(52) **U.S. CL**
 USPC **D13/124**

Assistant Examiner — Shawn T Gingrich

(58) **Field of Classification Search**
 CPC H01H 11/00; H01H 19/02; H01H 19/10;
 H01H 19/28; H01H 19/36; H01H 19/64;
 H01H 1/06; H01H 1/2041; H01H 1/42;
 H01E 2071/0292; H01H 2071/042; H01E
 33/08; H01H 33/12; H01H 33/42; H01H 3/30;
 H01H 3/3015; H01H 71/025; H01H 71/04;
 H01H 71/1054; H01H 9/167; H01H 9/281;
 H01H 9/282; H05K 7/1432; H01G 9/008;
 H01G 4/32; H01G 9/10; H01G 4/28; A61N
 1/3975; F15B 15/1428; F15B 11/0365;
 F15B 15/084; F15B 15/1414; F15B 15/1433;
 F15B 2211/7056; Y02E 60/13; H01T 13/08;
 H01T 13/06; H01T 13/20; A61G 7/1019;
 A61G 7/1044; A61G 7/1076
 USPC D13/110, 112, 122-128, 133, 147,
 D13/158-160, 162, 184, 199; D14/300,
 D14/308, 311-314, 348, 349, 356; 60/476;

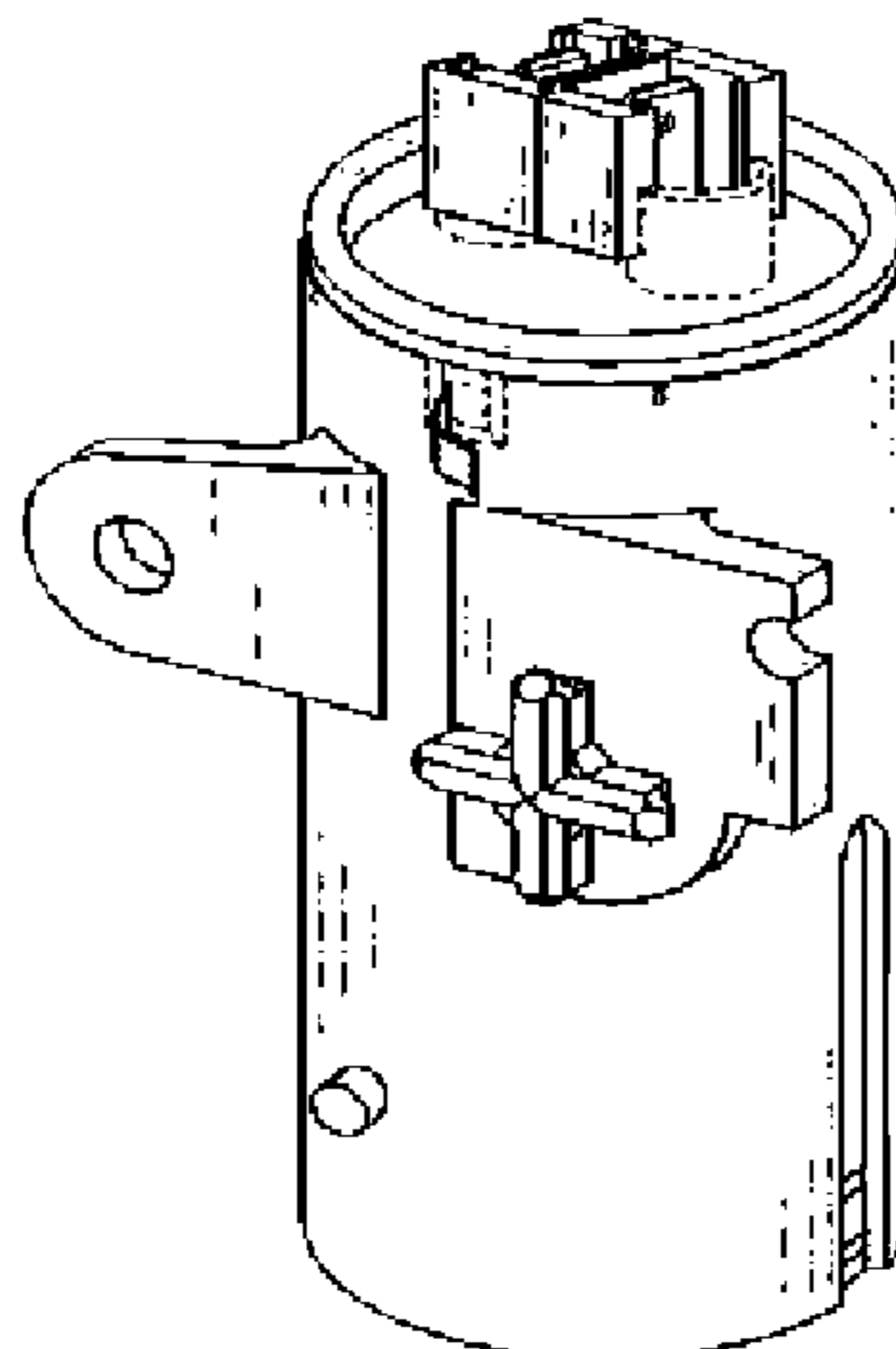
(57) **CLAIM**

The ornamental design for a capacitor, as shown and described.

DESCRIPTION

FIG. 1 is a perspective view of a capacitor showing my new design;
 FIG. 2 is a front view of the capacitor shown in FIG. 1;
 FIG. 3 is a rear view of the capacitor shown in FIG. 1;
 FIG. 4 is a left view of the capacitor shown in FIG. 1;
 FIG. 5 is a right view of the capacitor shown in FIG. 1;
 FIG. 6 is a top view of the capacitor shown in FIG. 1; and
 FIG. 7 is a bottom view of the capacitor shown in FIG. 1.
 The broken lines in the drawings are included to show unclaimed subject matter only and form no part of the claimed design.

1 Claim, 6 Drawing Sheets



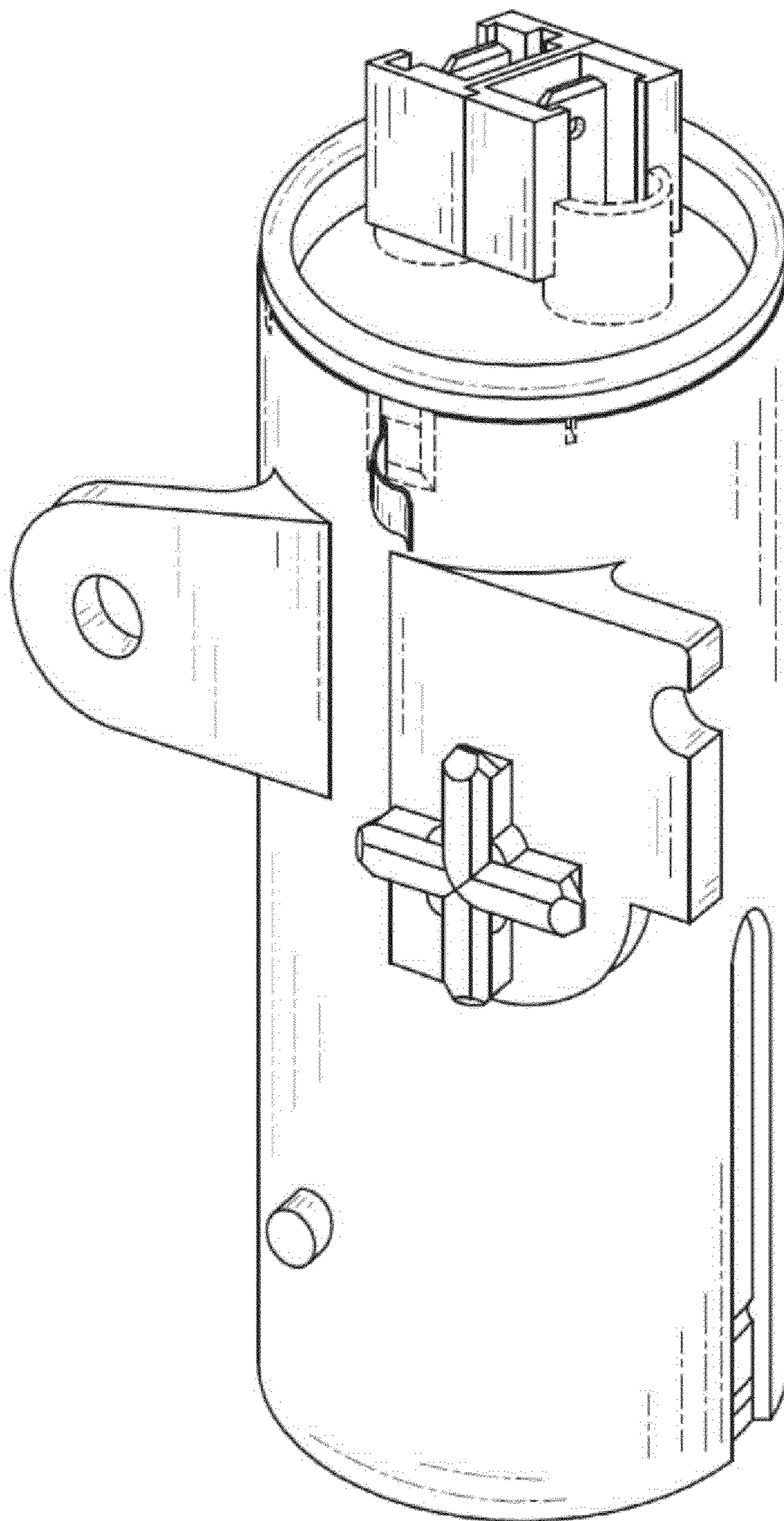


FIG. 1

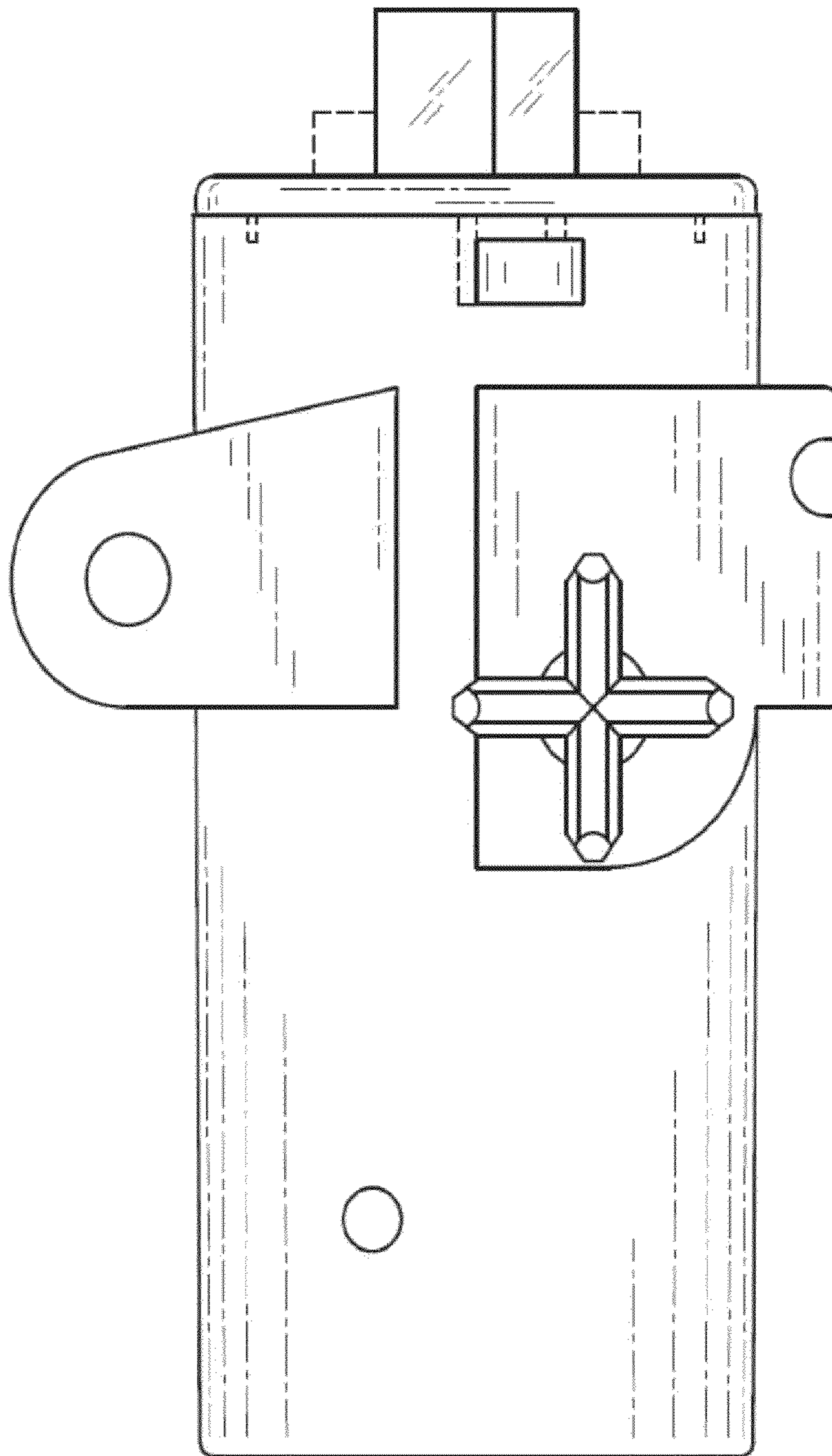


FIG. 2

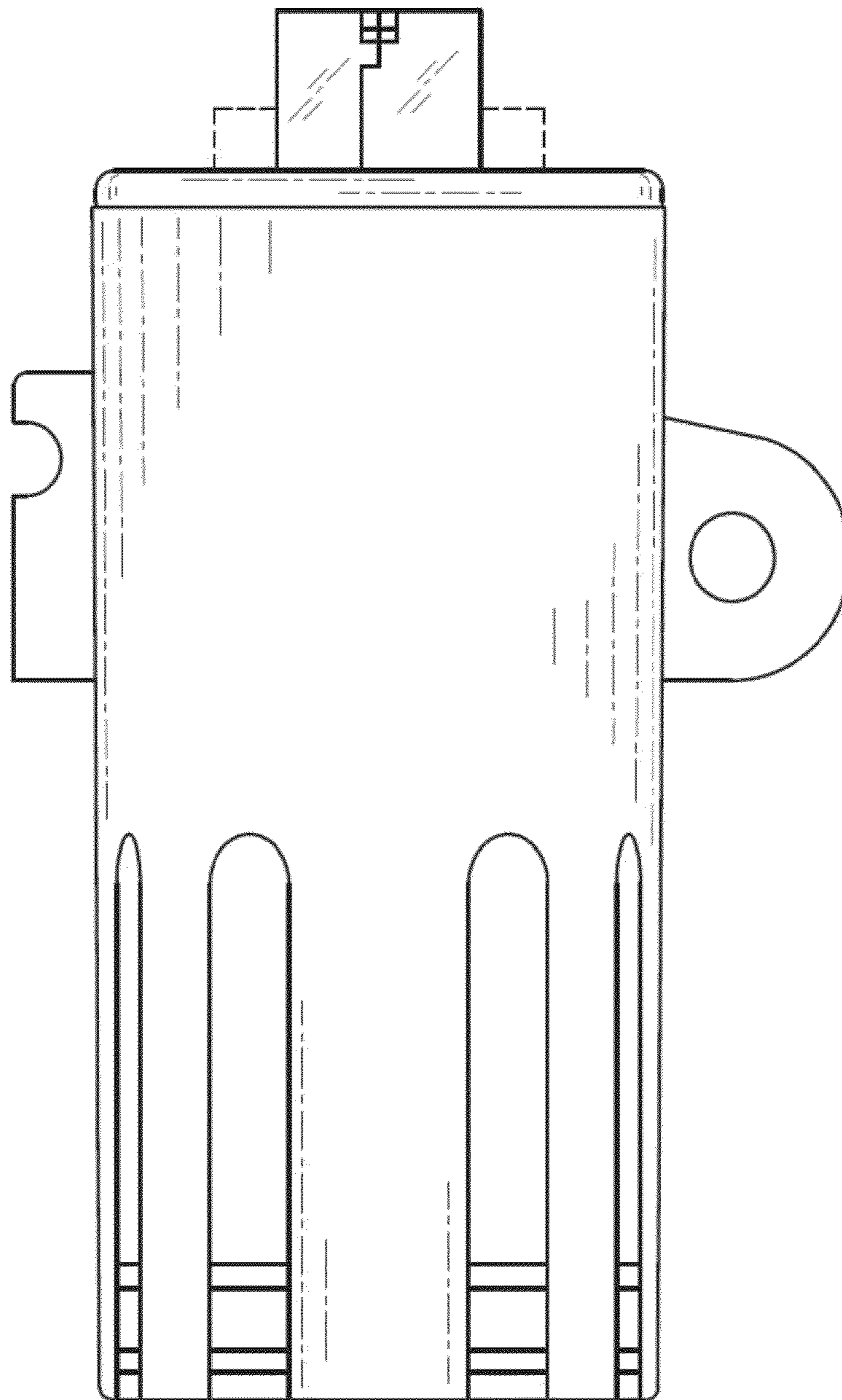


FIG.3

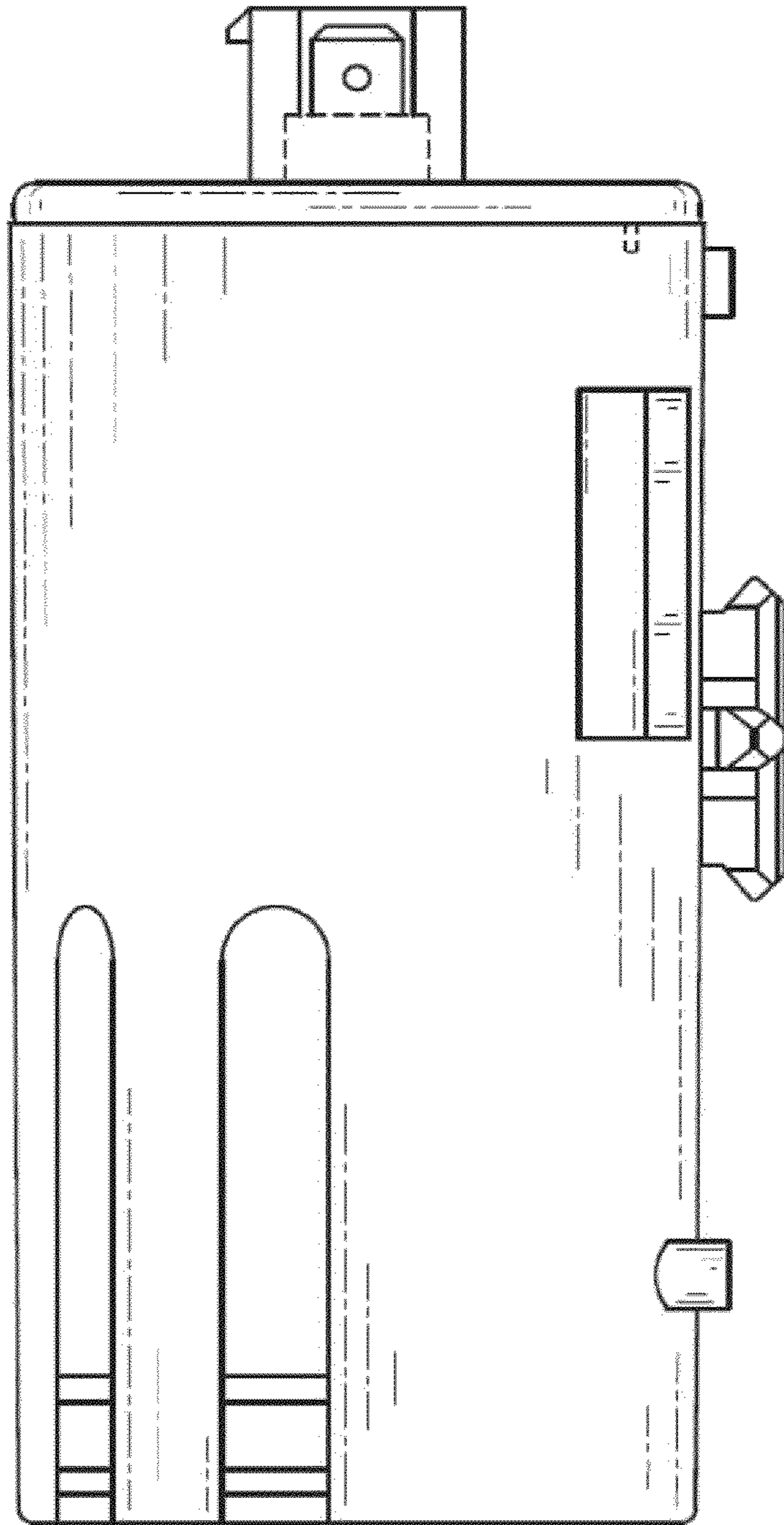


FIG.4

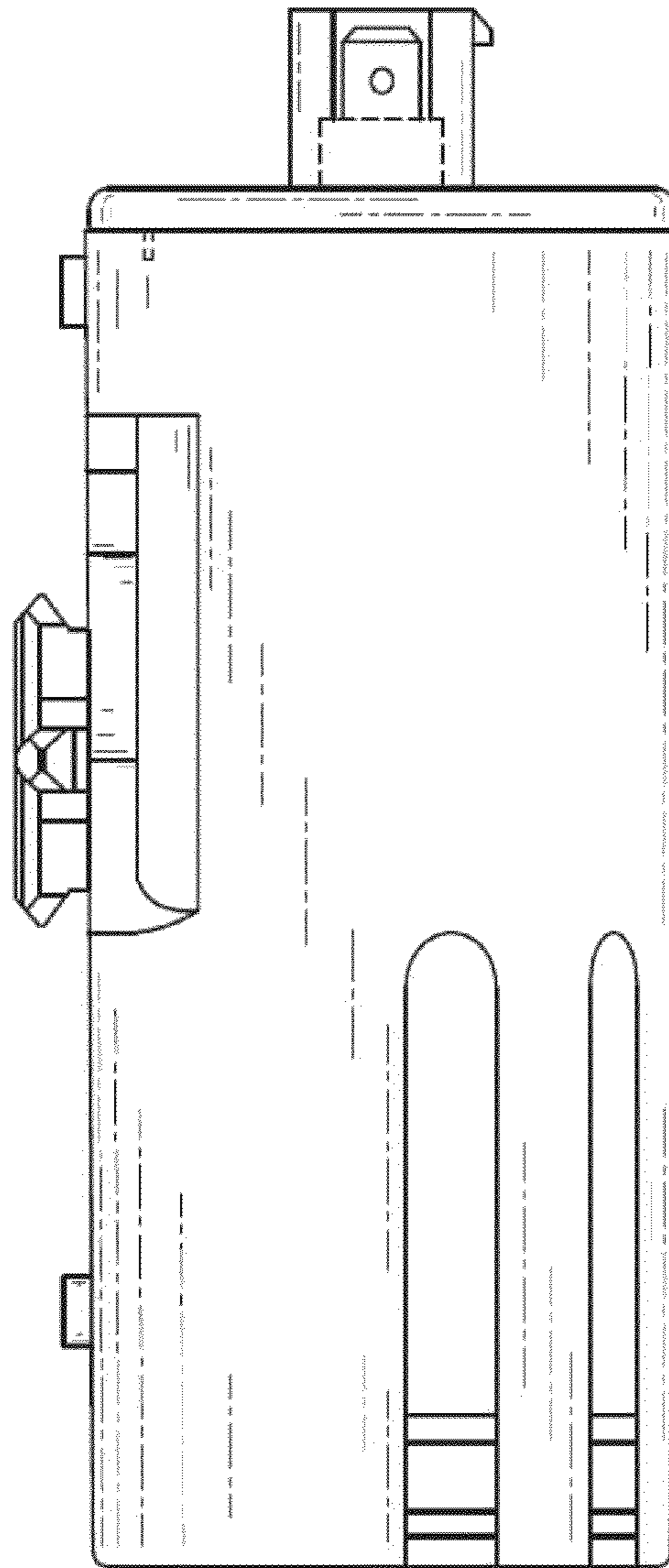


FIG.5

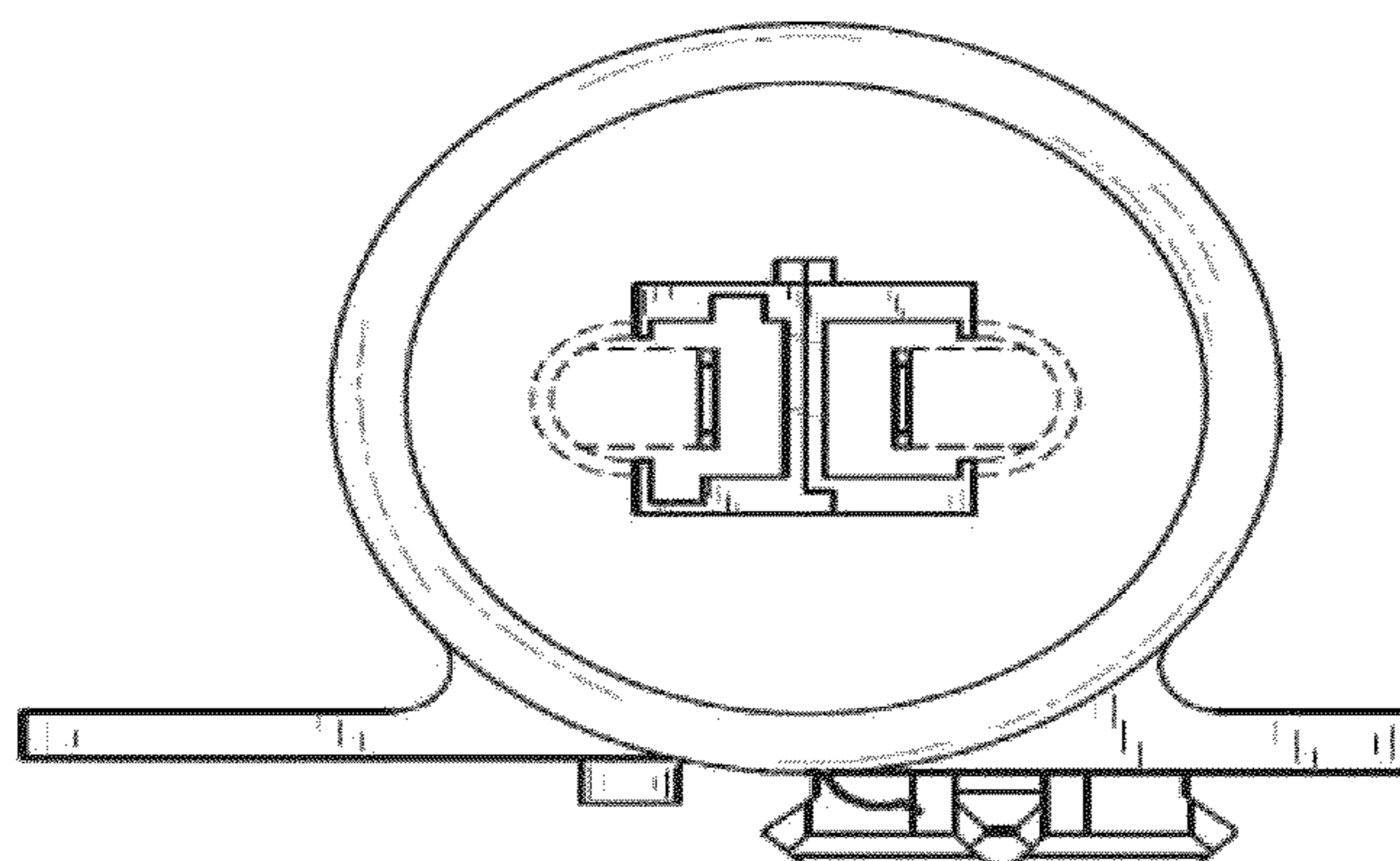


FIG. 6

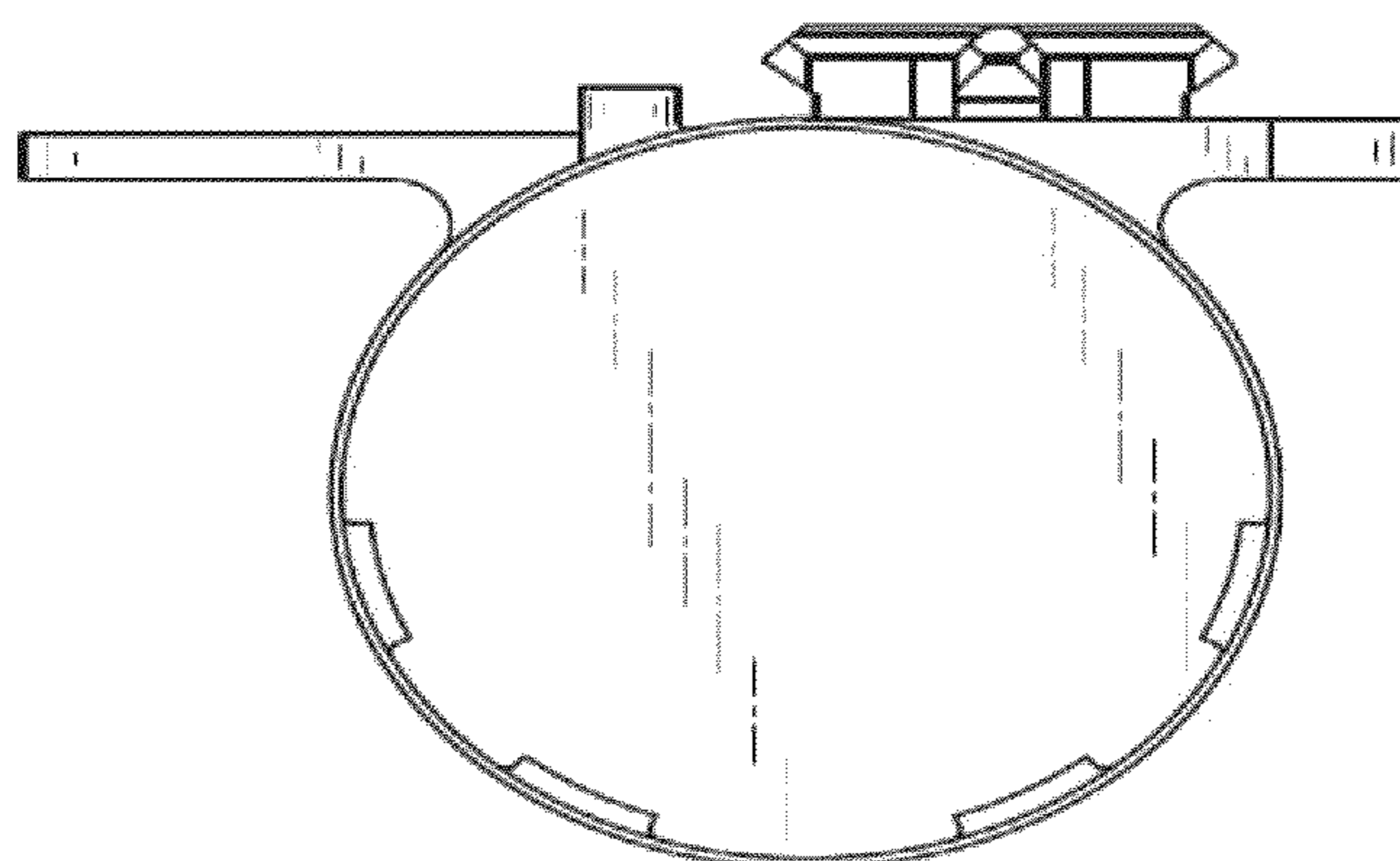


FIG. 7