



US00D729161S

(12) **United States Design Patent**  
**Lykov et al.**

(10) **Patent No.:** **US D729,161 S**

(45) **Date of Patent:** **\*\* May 12, 2015**

(54) **PEDESTAL FOR CHARGING STATIONS**

(56)

**References Cited**

(71) Applicant: **Aitico Oy**, Lahti (FI)

U.S. PATENT DOCUMENTS

(72) Inventors: **Evgeny Lykov**, Mestäkylä (FI); **Sari Kotaniemi**, Oulo (FI); **Marko Puharinen**, Kuopio (FI)

D262,762	S	*	1/1982	McGarvey et al.	.....	D6/421
D290,599	S	*	6/1987	Wyatt	.....	D13/139.5
D366,169	S	*	1/1996	Huang	.....	D6/498
D631,439	S	*	1/2011	Blain	.....	D13/123
D659,090	S	*	5/2012	deRoo et al.	.....	D13/107
D670,472	S	*	11/2012	Ono	.....	D34/12
D712,353	S	*	9/2014	George et al.	.....	D13/112

(73) Assignee: **Aitico Oy**, Lahti (FI)

\* cited by examiner

(\*\*) Term: **14 Years**

*Primary Examiner* — Derrick Holland

(21) Appl. No.: **29/470,203**

(74) *Attorney, Agent, or Firm* — Klauber & Jackson LLC

(22) Filed: **Oct. 18, 2013**

(30) **Foreign Application Priority Data**

(57)

**CLAIM**

Oct. 2, 2013 (EM) ..... 002319228

The ornamental design for a pedestal for charging stations, as shown and described.

(51) **LOC (10) Cl.** ..... **13-02**

**DESCRIPTION**

(52) **U.S. Cl.**  
USPC ..... **D13/118**

(58) **Field of Classification Search**  
USPC ..... D13/118, 107, 108, 109, 110, 112, 119,  
D13/184, 199; D6/567, 708.24; D34/14, 21;  
320/103, 104, 105, 107, 109, 115  
See application file for complete search history.

FIG. 1 is a perspective view of the top and a side of a pedestal for charging stations showing our new design;  
FIG. 2 is a top view thereof; and,  
FIG. 3 is a side view thereof.

**1 Claim, 3 Drawing Sheets**

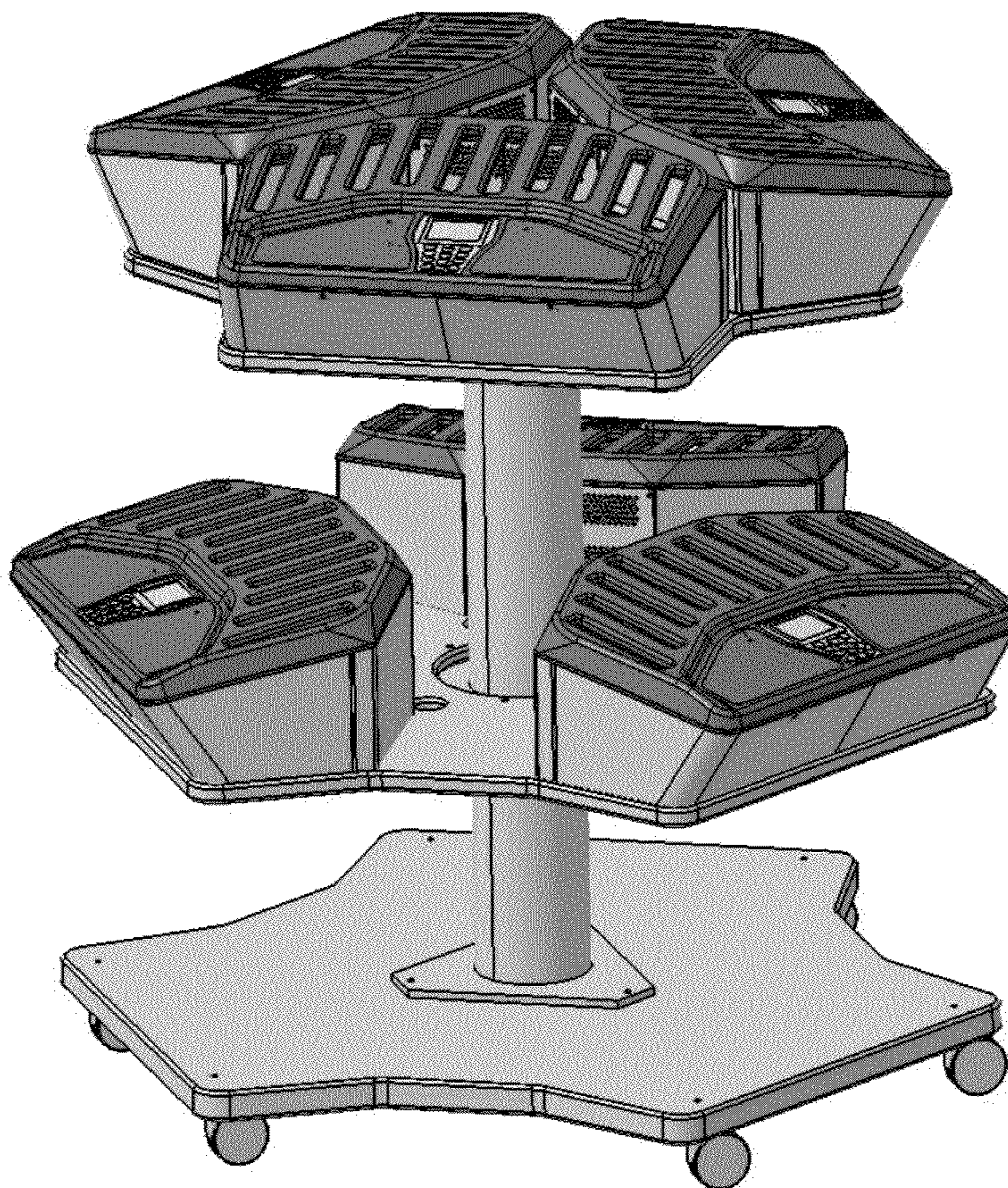


FIG. 1

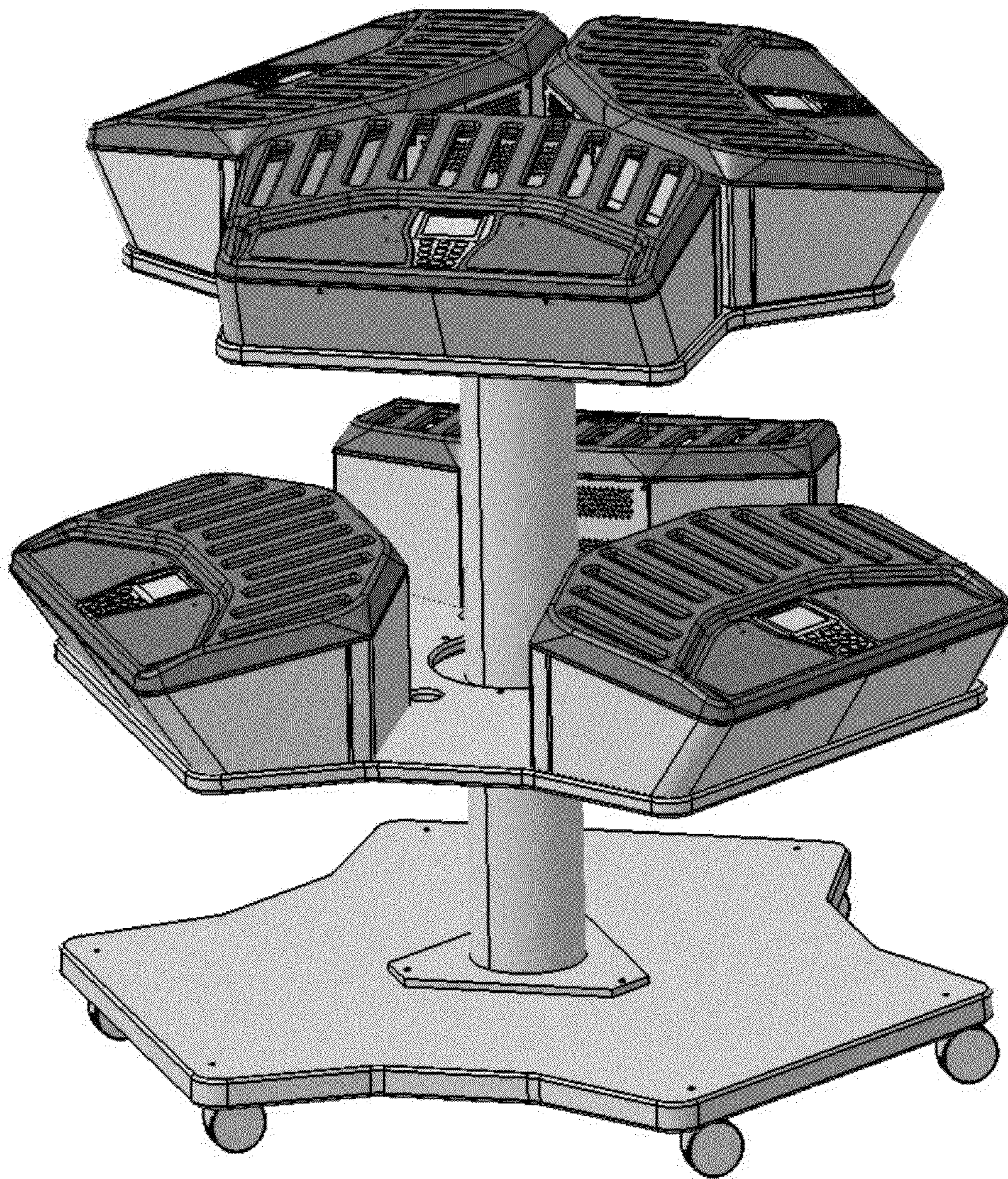


FIG. 2

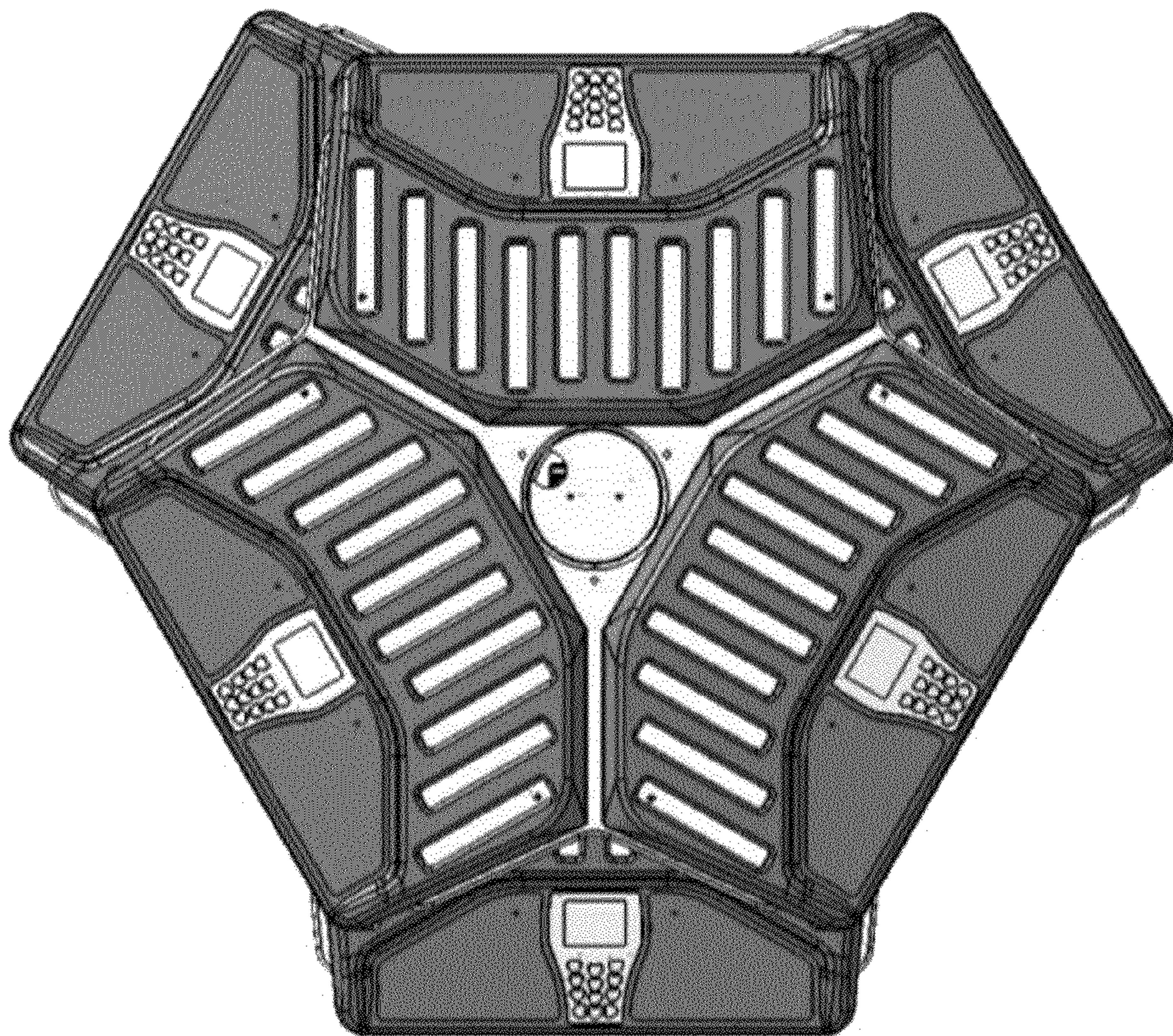


FIG. 3

