

US00D729160S

(12) **United States Design Patent**  
**Levy et al.**

(10) **Patent No.:** **US D729,160 S**  
(45) **Date of Patent:** **\*\* May 12, 2015**

- (54) **COMPACT WALL CHARGER**
- (71) Applicant: **Navajo Manufacturing Company, Inc.,**  
Denver, CO (US)
- (72) Inventors: **Gordon Levy, Golden, CO (US); Ming Shan, Thornton, CO (US); Shawn Shelton, Highlands Ranch, CO (US)**
- (73) Assignee: **Navajo Manufacturing Company, Inc.,**  
Denver, CO (US)
- (\*\*) Term: **14 Years**
- (21) Appl. No.: **29/498,432**
- (22) Filed: **Aug. 4, 2014**
- (51) **LOC (10) Cl.** ..... **13-02**
- (52) **U.S. Cl.**  
USPC ..... **D13/110**
- (58) **Field of Classification Search**  
CPC ..... H02J 7/02; H02J 7/022; H02J 7/0042;  
H01R 25/00; H01R 25/003; H01R 13/44;  
H01R 27/00; Y02E 60/12  
USPC ..... D13/110, 107, 108, 123, 133, 137.1,  
D13/138.1, 199; 174/53, 54, 59, 61;  
307/150, 151; 320/111, 114; 363/132,  
363/140, 142, 143, 146; 439/105, 131, 166,  
439/171-173, 218, 518, 692, 956;  
D14/240, 251, 253, 432, 433, 434  
See application file for complete search history.

- (56) **References Cited**  
U.S. PATENT DOCUMENTS  
D127,010 S \* 5/1941 Judisch ..... D13/137.1  
D138,086 S 6/1944 Ludwig  
D258,429 S 3/1981 Buckler  
D338,188 S \* 8/1993 Lee et al. .... D13/110  
D375,080 S 10/1996 Sandor et al.  
5,761,021 A 6/1998 Yu  
D405,765 S 2/1999 Yu

- D436,078 S 1/2001 Korte
- D461,187 S 8/2002 Andre et al.
- D487,870 S 3/2004 Stewart et al.
- D494,138 S \* 8/2004 Adams et al. .... D13/138.1
- D503,679 S 4/2005 Andre et al.
- D521,936 S 5/2006 Novotney et al.
- D522,463 S 6/2006 Novotney et al.
- D542,288 S 5/2007 Andre et al.
- D552,034 S 10/2007 Hobson et al.
- D558,572 S 1/2008 Andre et al.
- D572,712 S 7/2008 Ledbetter et al.
- D573,946 S 7/2008 Ledbetter et al.
- D576,486 S 9/2008 Koza
- D579,876 S 11/2008 Novotney et al.
- D583,316 S 12/2008 Sade et al.
- D587,192 S 2/2009 McGinley et al.
- D587,193 S 2/2009 McGinley et al.
- D593,505 S 6/2009 Fimbres
- D595,223 S 6/2009 Yamamoto et al.
- D595,224 S 6/2009 Seil et al.
- D596,572 S 7/2009 Wu et al.
- D601,097 S 9/2009 Novotney et al.
- D601,500 S 10/2009 Green et al.
- D601,501 S 10/2009 Kaibara et al.
- D602,430 S 10/2009 Green et al.

(Continued)

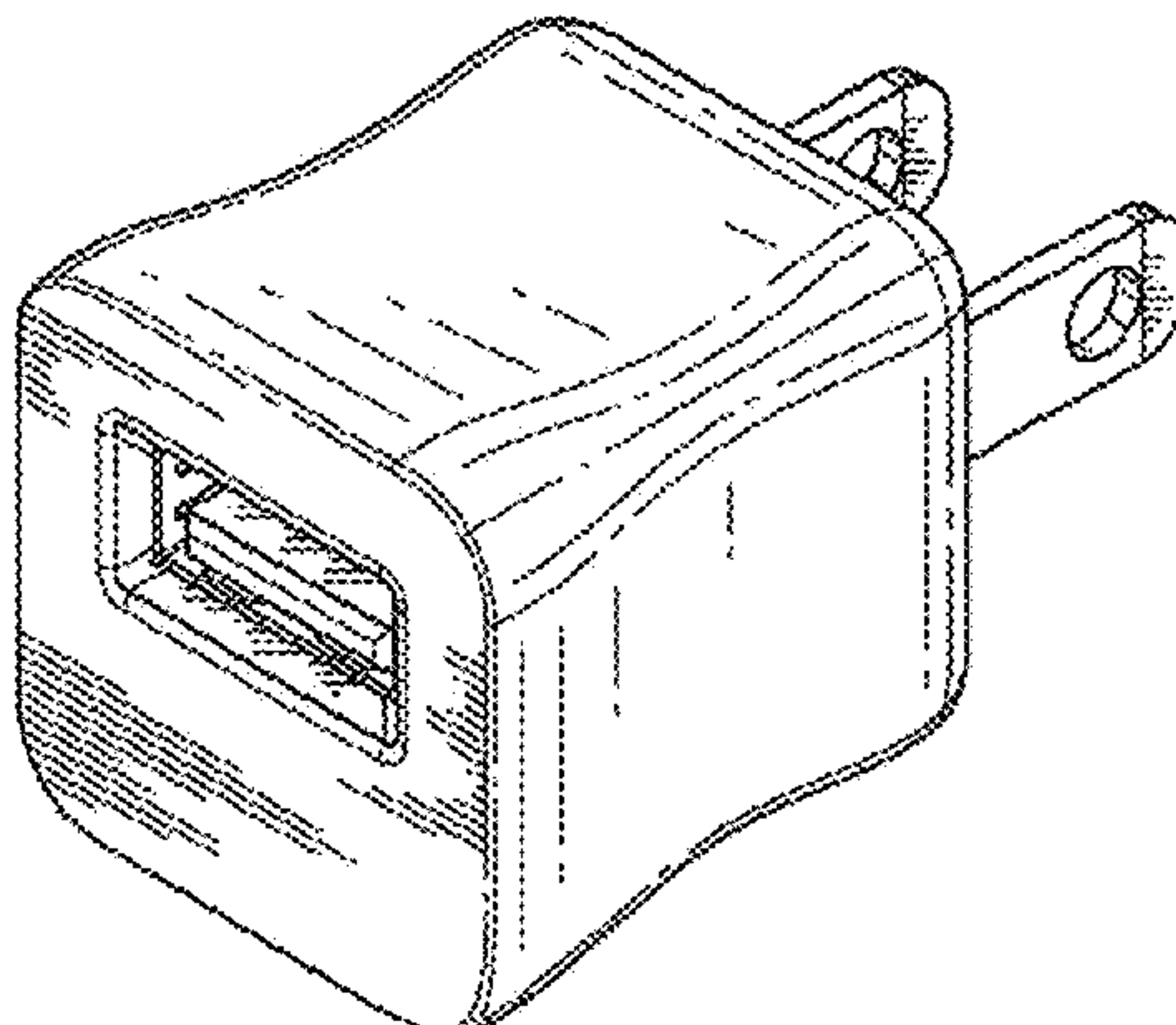
*Primary Examiner* — Derrick Holland  
(74) *Attorney, Agent, or Firm* — Studebaker & Brackett PC

(57) **CLAIM**  
The ornamental design for a compact wall charger, as shown and described.

**DESCRIPTION**

FIG. 1 is a perspective view showing our new design for a compact wall charger,  
FIG. 2 is a top view thereof,  
FIG. 3 is a bottom view thereof,  
FIG. 4 is a side view thereof, the opposite side being a mirror image thereof; and,  
FIG. 5 is another side view thereof, the opposite side being a mirror image thereof.

**1 Claim, 1 Drawing Sheet**



(56)

**References Cited**

U.S. PATENT DOCUMENTS

D610,992 S 3/2010 Fahrendorff et al.  
D610,993 S 3/2010 Fahrendorff et al.  
D610,994 S 3/2010 Fahrendorff et al.  
D611,409 S 3/2010 Green et al.  
D611,415 S 3/2010 Andre et al.  
D613,691 S 4/2010 Fahrendorff et al.  
D615,556 S 5/2010 Yeo et al.  
D623,136 S 9/2010 Andre et al.  
D624,548 S 9/2010 Yamamoto  
D627,729 S 11/2010 Smith et al.  
D629,827 S 12/2010 Morenstein et al.

D643,807 S 8/2011 Jiang  
D653,208 S 1/2012 Au  
D653,213 S 1/2012 Andre et al.  
D653,614 S 2/2012 Au  
D653,615 S 2/2012 Au  
8,113,855 B2 2/2012 Green et al.  
D655,244 S 3/2012 Au  
D664,093 S 7/2012 Andre et al.  
D683,314 S 5/2013 Andre et al.  
D704,630 S \* 5/2014 Liu ..... D13/108  
2004/0185719 A1 9/2004 Wang  
2007/0229025 A1 10/2007 Tsai et al.  
2009/0289596 A1 11/2009 McGinley et al.

\* cited by examiner

FIG. 1

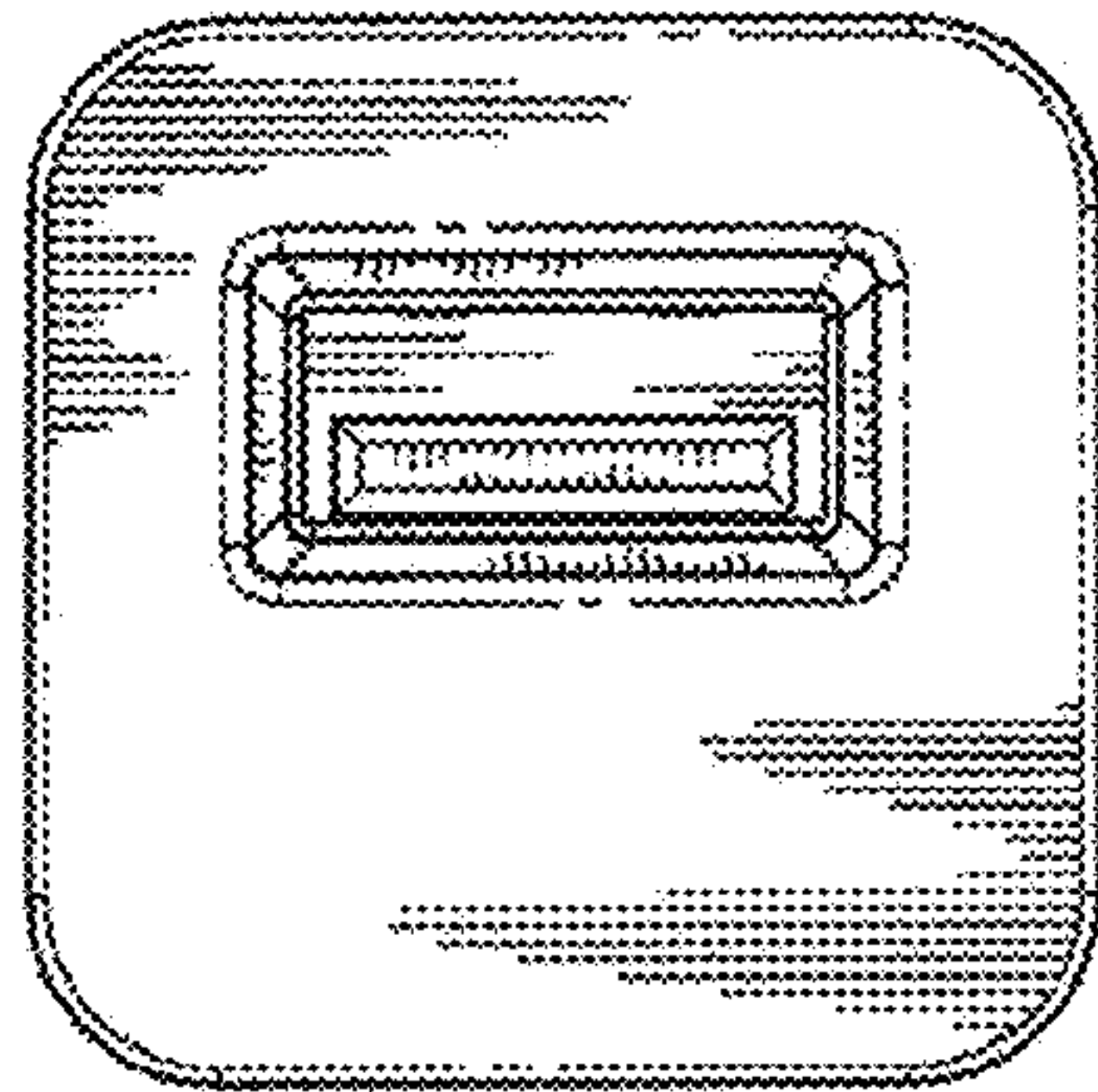
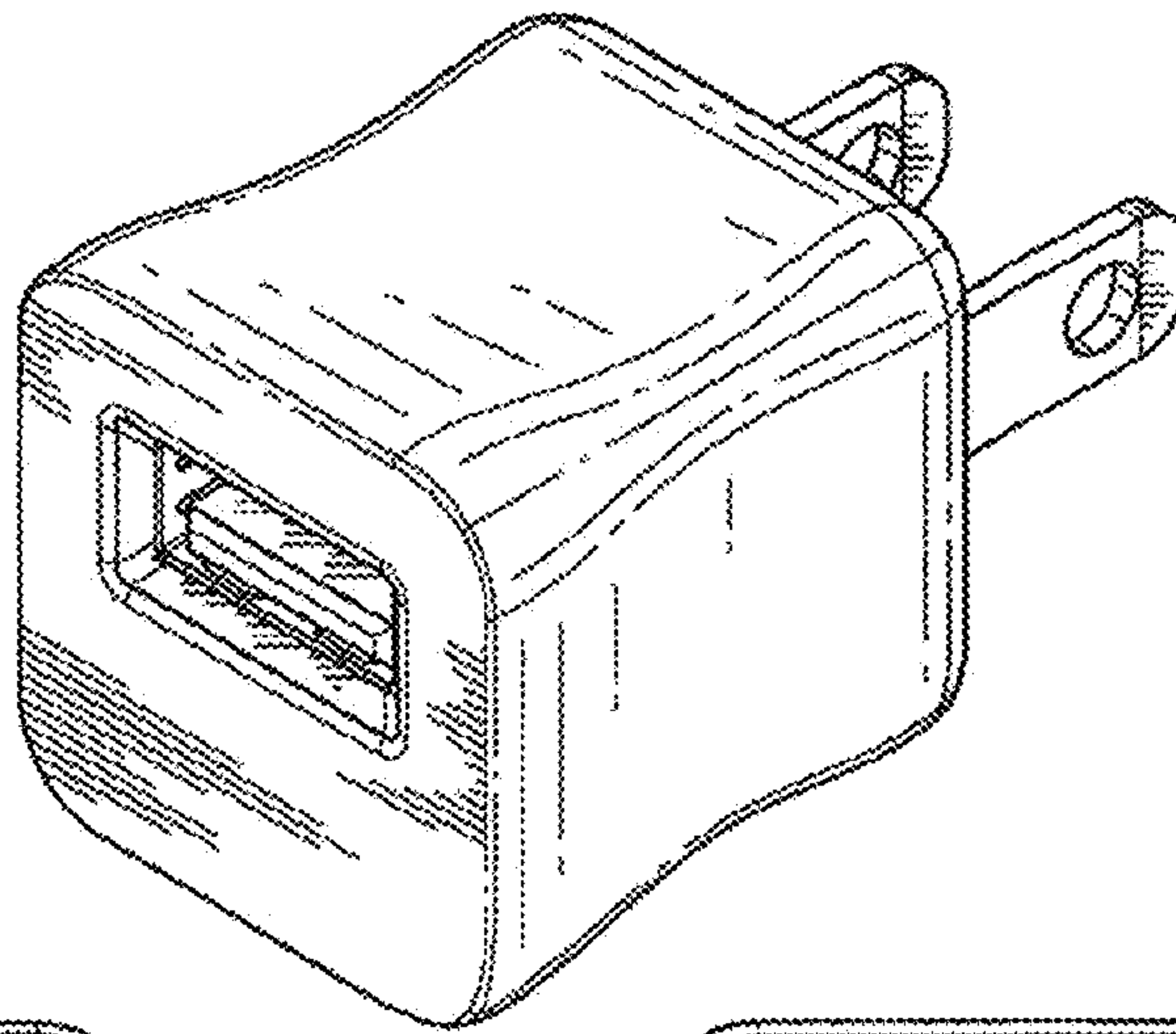


FIG. 2

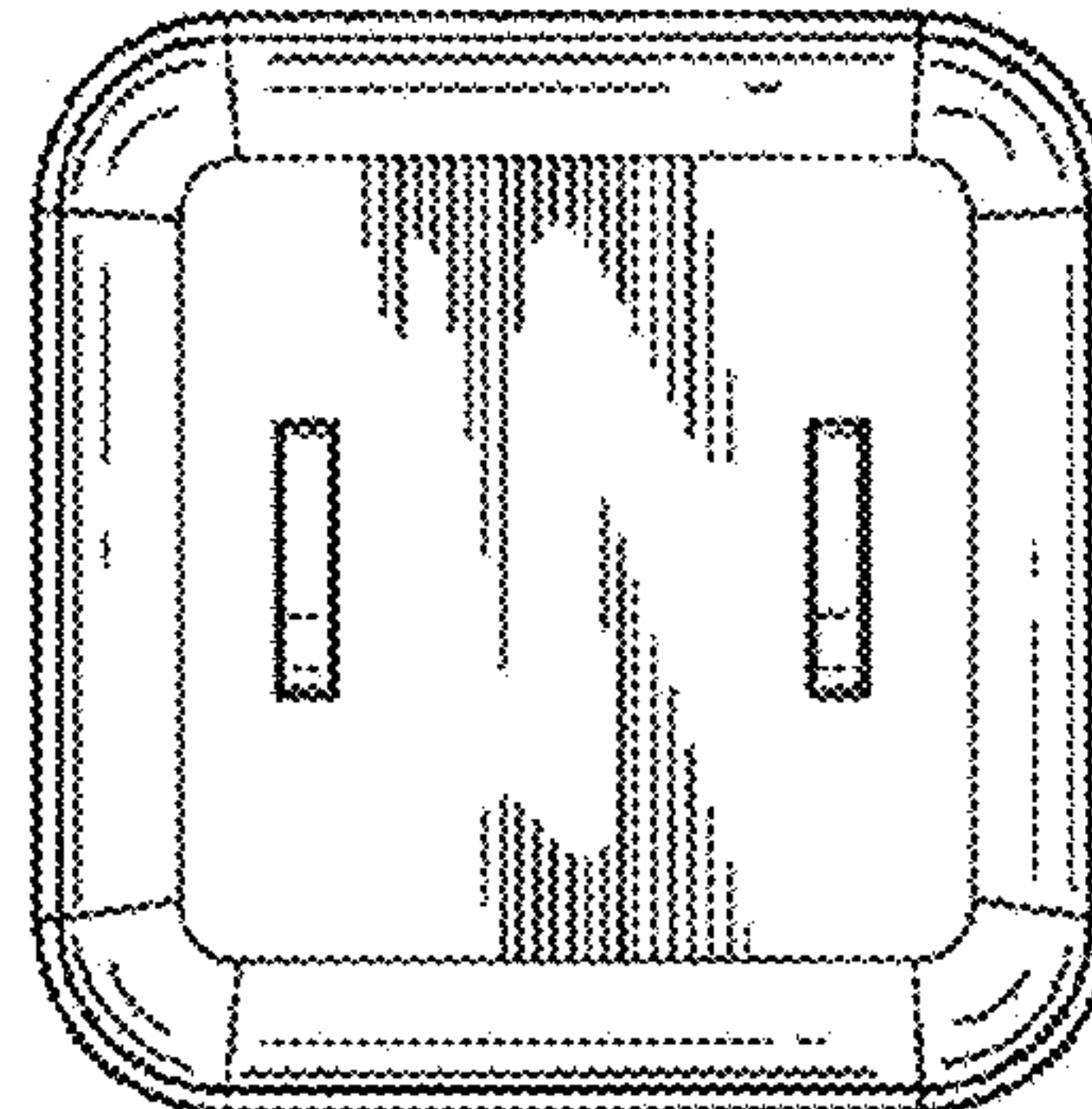


FIG. 3

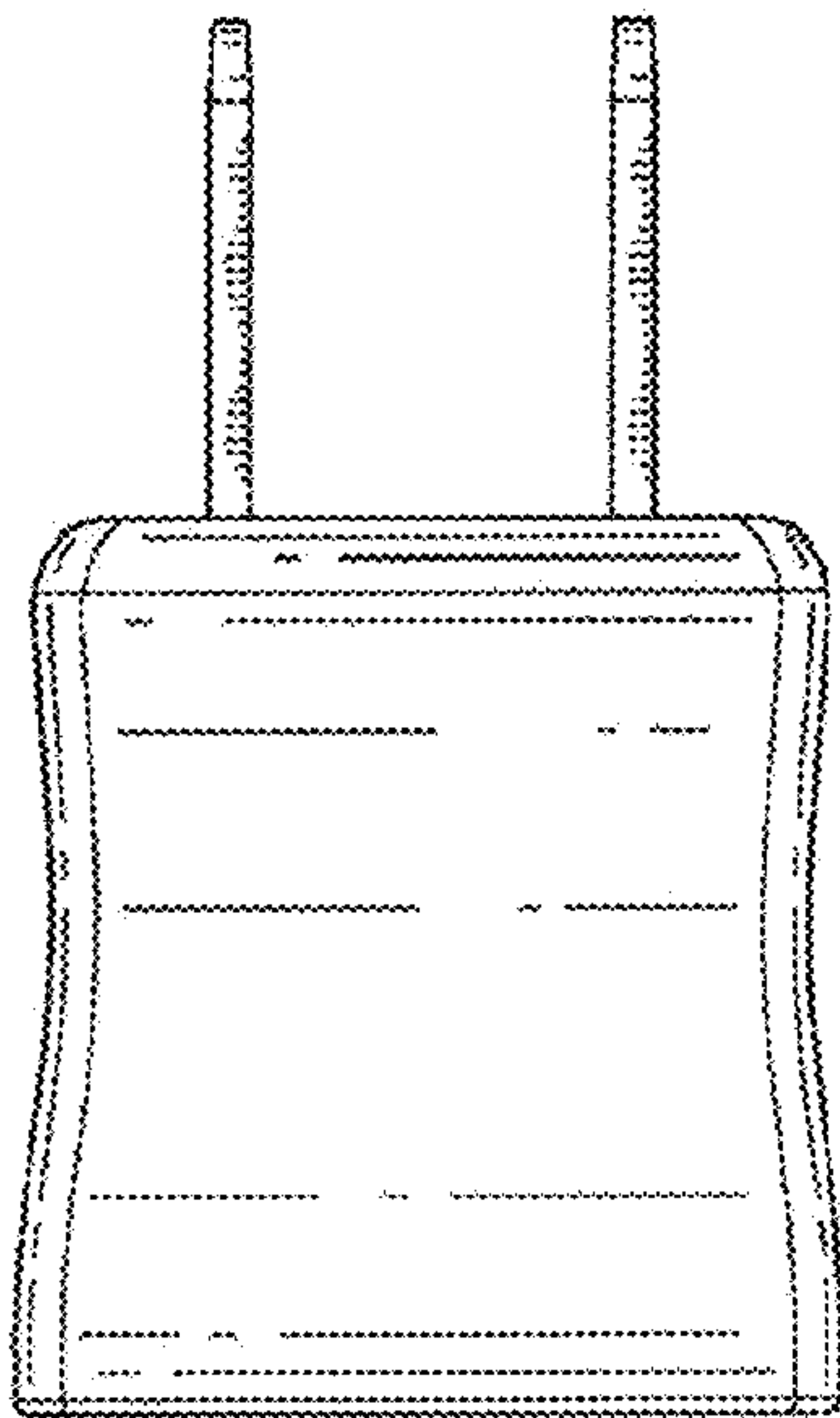


FIG. 4

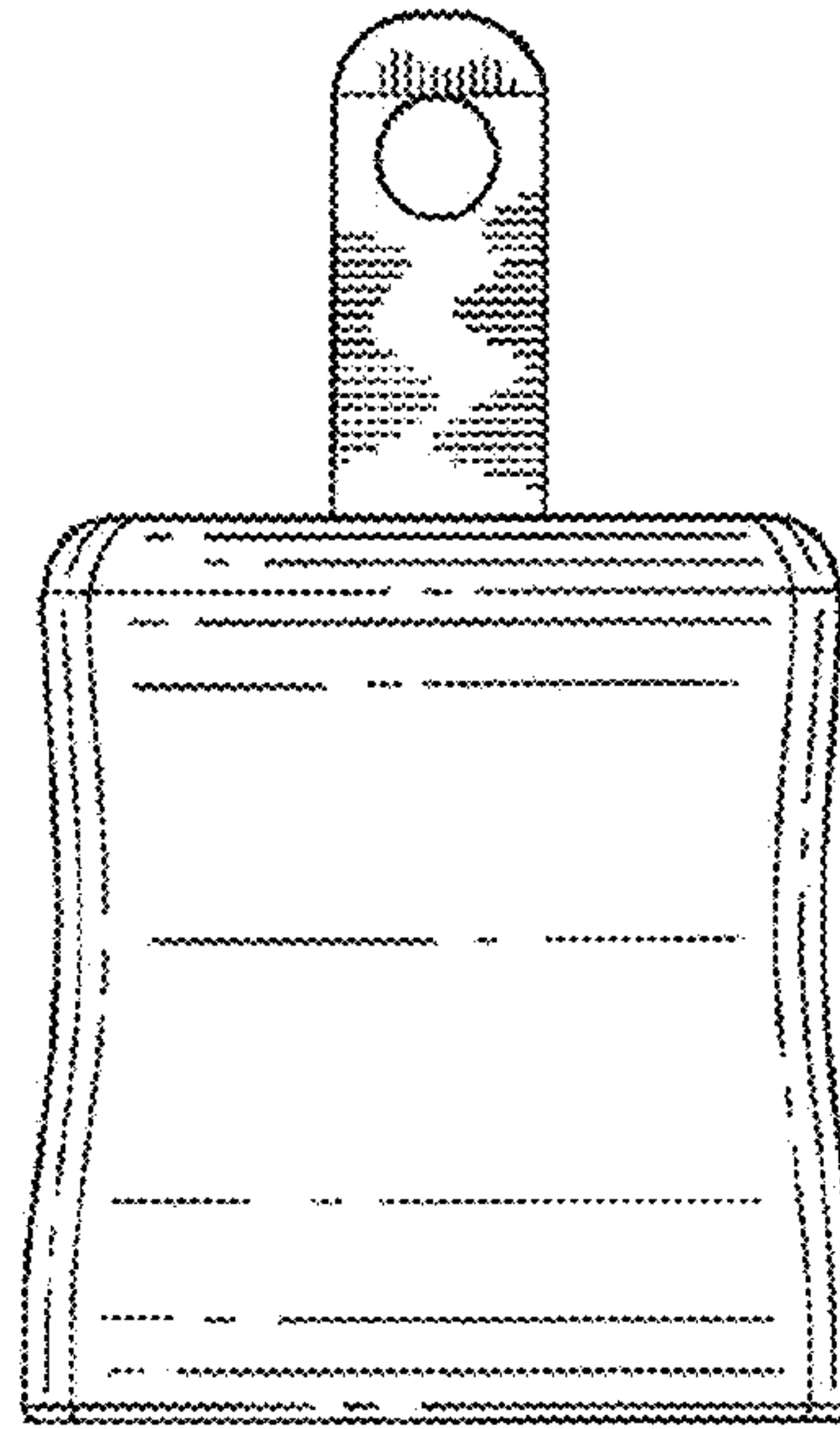


FIG. 5