



US00D729159S

(12) **United States Design Patent**
Feustel et al.

(10) **Patent No.:** **US D729,159 S**

(45) **Date of Patent:** **** May 12, 2015**

(54) **CHARGING BASE**

(71) Applicant: **LED Lenser Corp. Ltd.**, Guangdong Province (CN)

(72) Inventors: **Stefan Feustel**, Berlin (DE); **Andre Kunzendorf**, Wuppertal (DE)

(73) Assignee: **LED Lenser Corp. Ltd.**, Yangjiang (CN)

(**) Term: **14 Years**

(21) Appl. No.: **29/460,099**

(22) Filed: **Jul. 8, 2013**

(30) **Foreign Application Priority Data**

Jan. 10, 2013 (CN) 2013 3 0006801

(51) **LOC (10) Cl.** **13-02**

(52) **U.S. Cl.**
USPC **D13/108**

(58) **Field of Classification Search**
USPC D13/107-110, 118-119, 184, 199;
D14/251, 253, 432, 434; 320/107-115,
320/128, 137-140

See application file for complete search history.

(56) **References Cited**

U.S. PATENT DOCUMENTS

D122,945 S *	10/1940	Quirk	D13/107
2,410,527 A *	11/1946	Schinske	320/113
D147,151 S *	7/1947	Schinske	D13/107
D199,728 S *	12/1964	Hall	D4/199
3,293,528 A *	12/1966	Rosen et al.	320/115
D210,885 S *	4/1968	Eberhart	D13/108

D300,214 S *	3/1989	Adams	D13/108
D303,245 S *	9/1989	Tsuji	D13/108
D360,723 S *	7/1995	Kasai et al.	D32/73
D374,425 S *	10/1996	Crane	D13/107
D416,536 S *	11/1999	Ross et al.	D13/107
D442,545 S *	5/2001	Isonaga	D13/108
D515,029 S *	2/2006	Hattori	D13/108
D543,936 S *	6/2007	Wada	D13/108
D564,446 S *	3/2008	Linardos	D13/108
D620,883 S *	8/2010	Maglica	D13/108
D634,271 S *	3/2011	Kessler et al.	D13/108
D641,693 S *	7/2011	Akana et al.	D13/107
D645,819 S *	9/2011	Lin	D13/118
D651,168 S *	12/2011	Akana et al.	D13/107
D709,447 S *	7/2014	Ibuki et al.	D13/108

* cited by examiner

Primary Examiner — Rosemary K Tarcza

(74) *Attorney, Agent, or Firm* — Alston & Bird LLP

(57) **CLAIM**

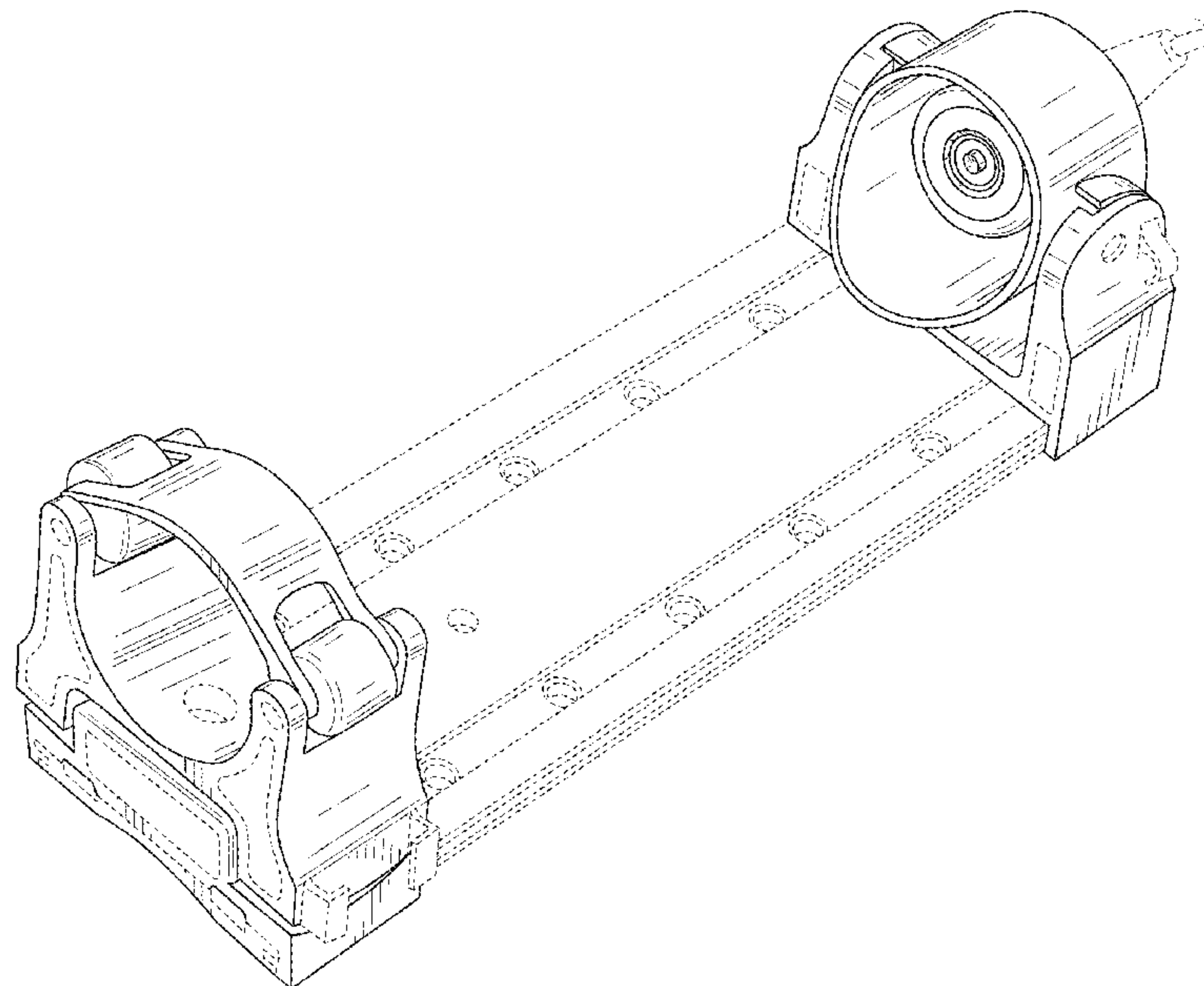
The ornamental design for a charging base, as shown and described.

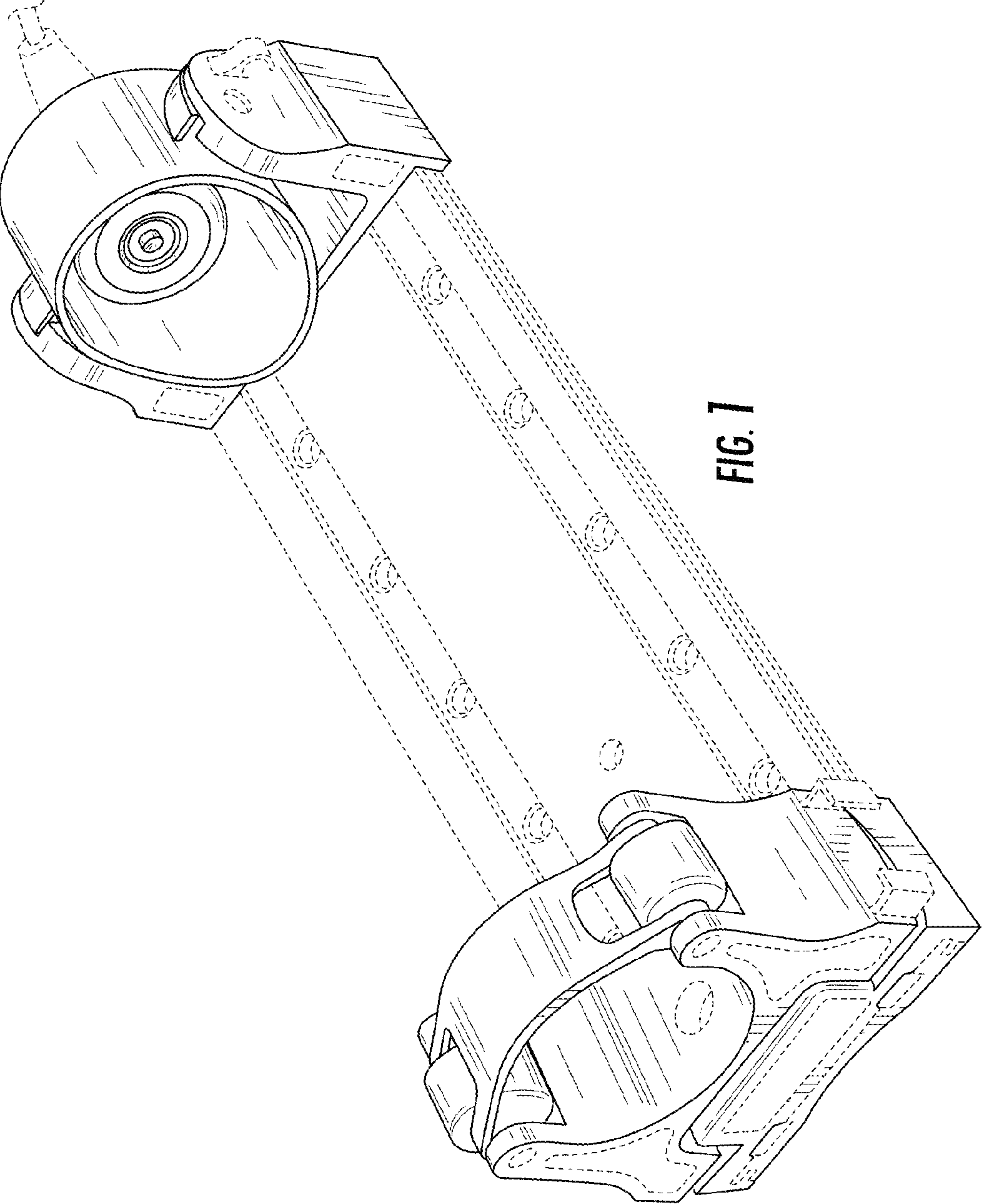
DESCRIPTION

FIG. 1 is a perspective view of a charging base according to my new design;
 FIG. 2 is a front elevation view thereof;
 FIG. 3 is a back elevation view thereof;
 FIG. 4 is a right side elevation view thereof;
 FIG. 5 is a left side elevation view thereof;
 FIG. 6 is a top plan view thereof; and,
 FIG. 7 is a bottom plan view thereof.

The broken lines are directed to environment and are for illustrative purposes only. The broken lines form no part of any embodiment of the claimed design.

1 Claim, 6 Drawing Sheets





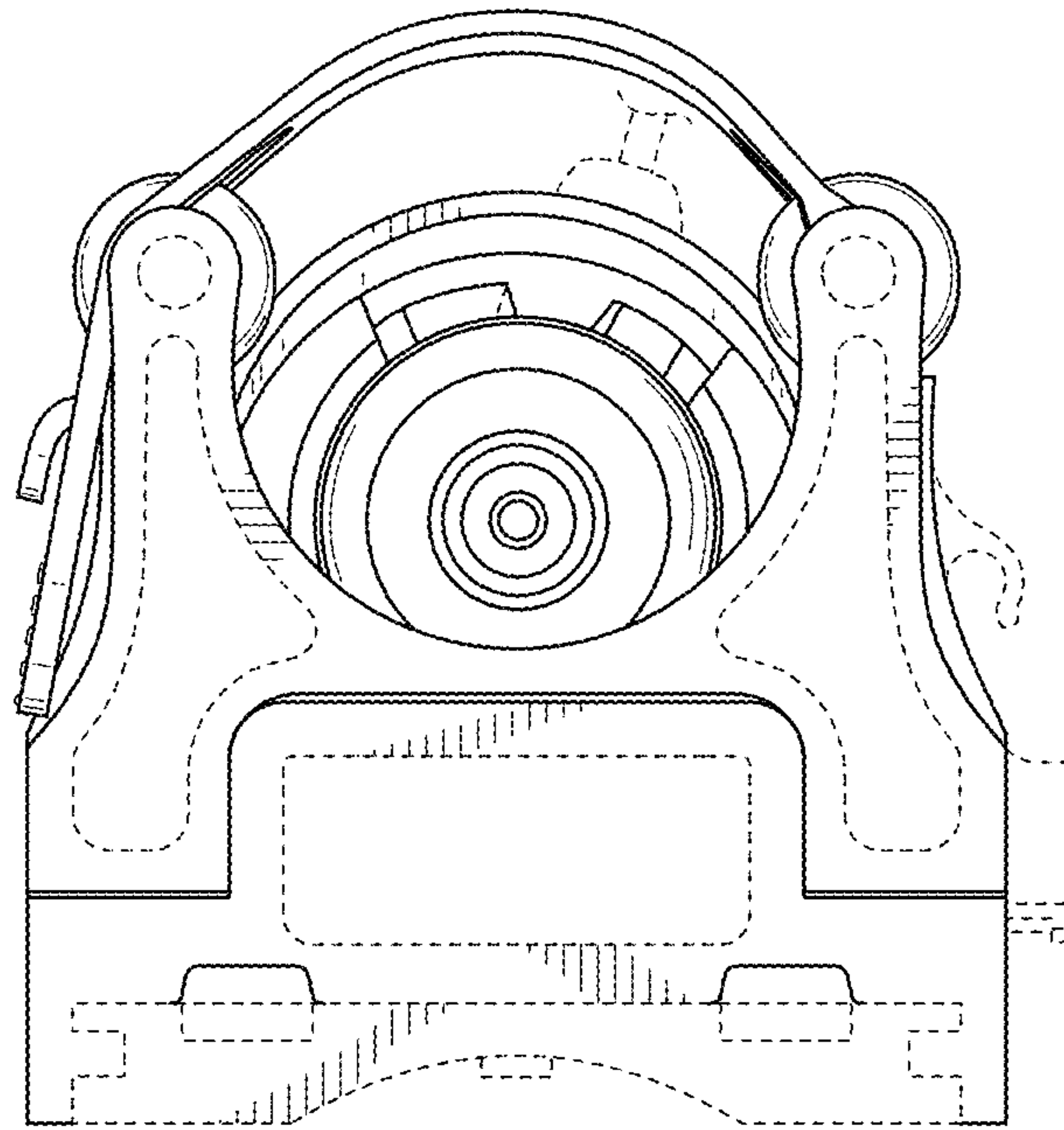


FIG. 2

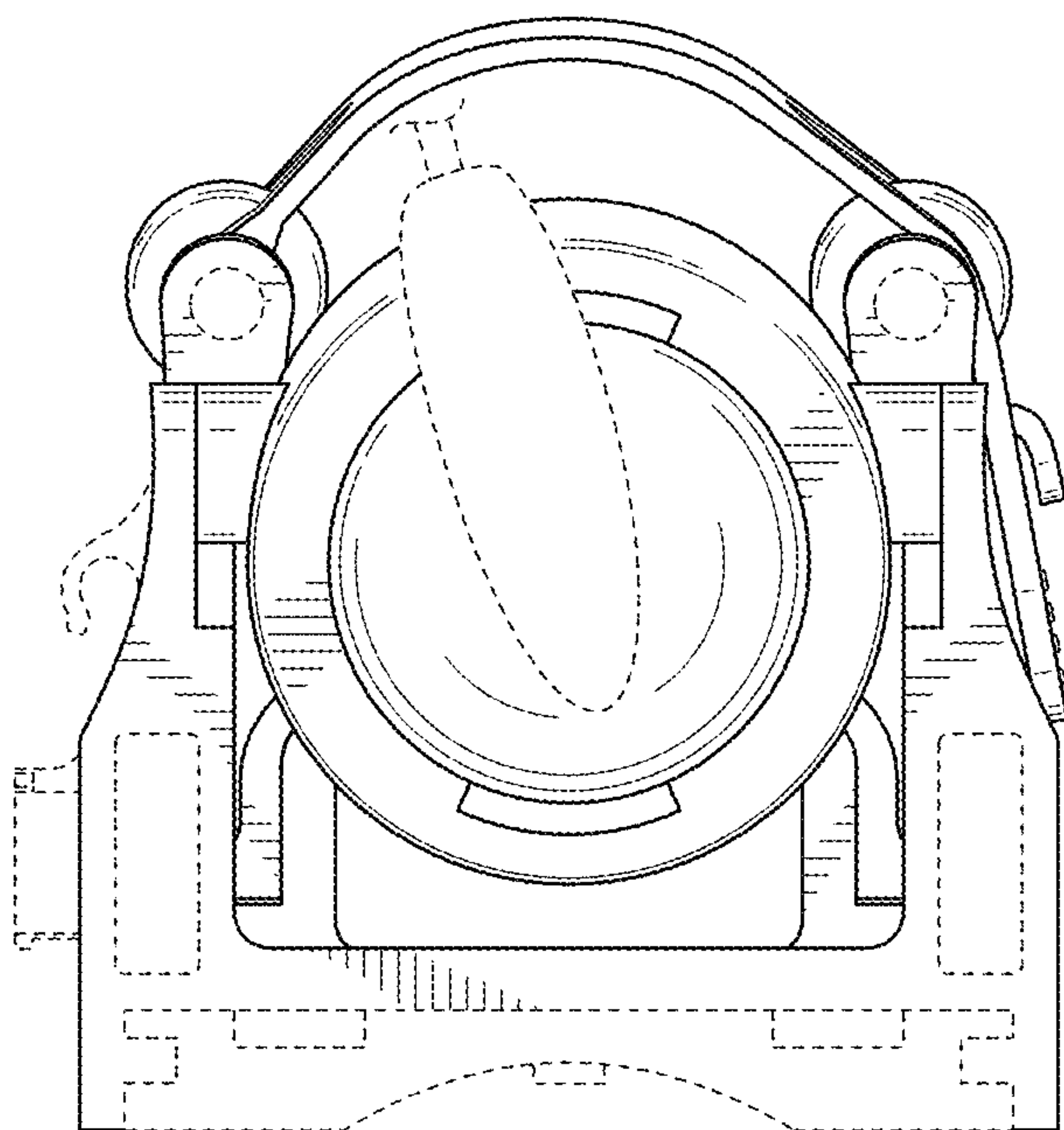


FIG. 3

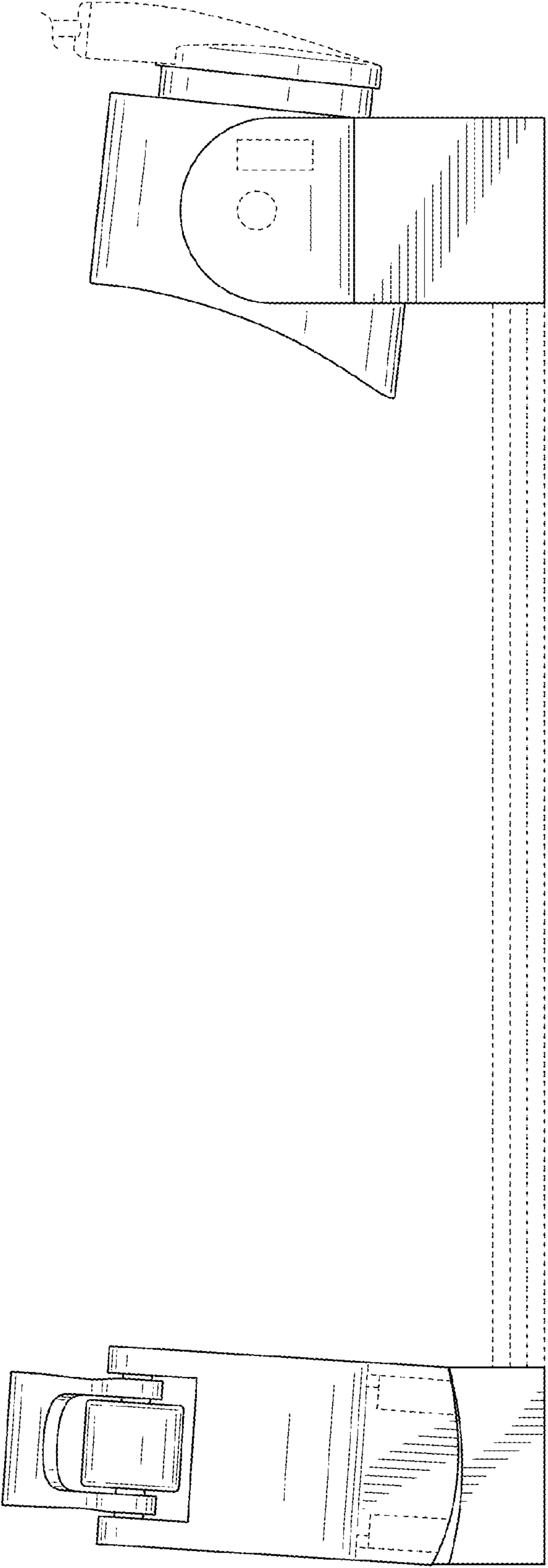


FIG. 4



FIG. 5

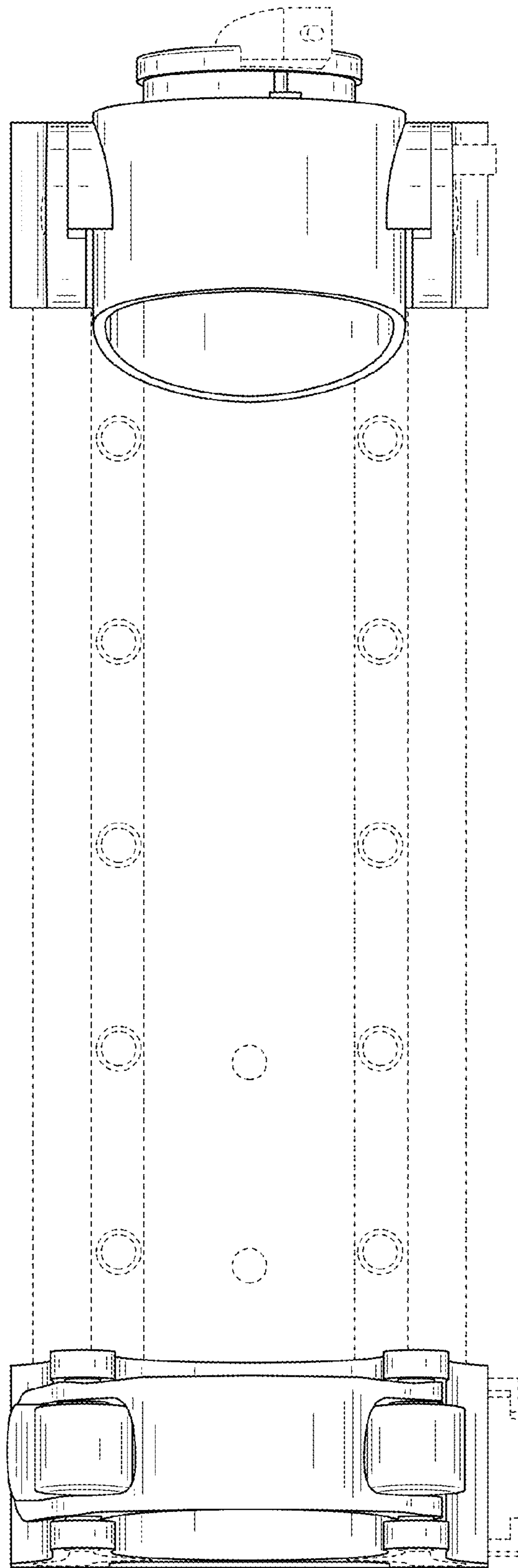


FIG. 6

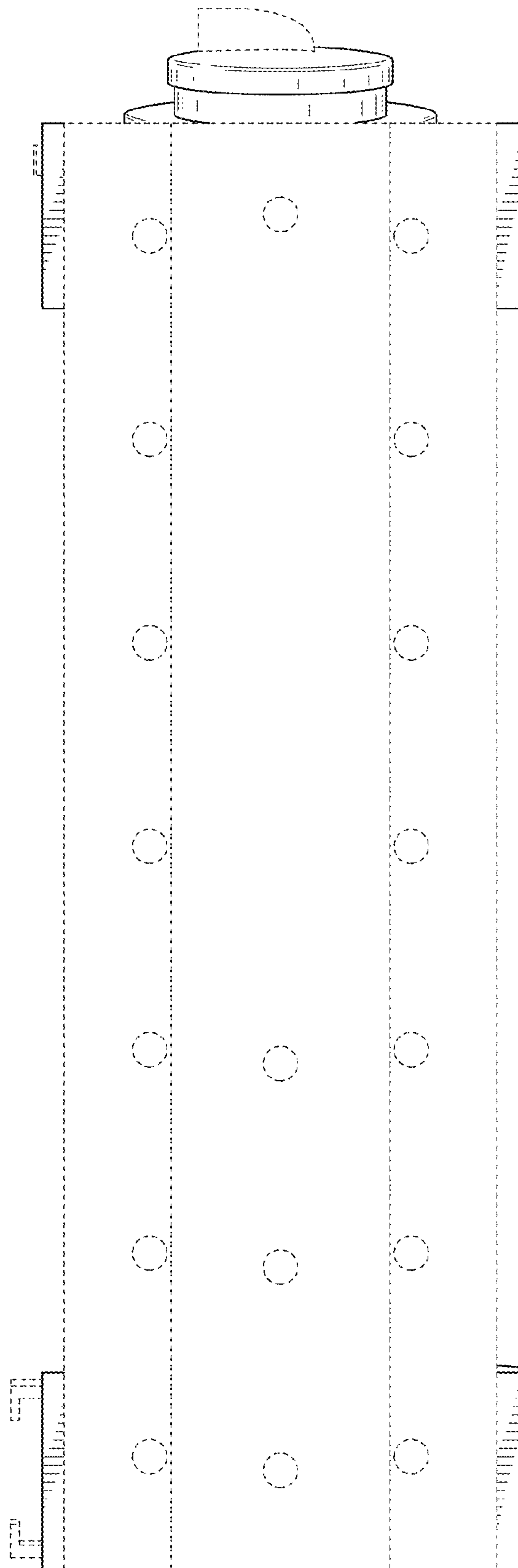


FIG. 7