

US00D729158S

(12) **United States Design Patent**  
**Gilomen**

(10) **Patent No.:** **US D729,158 S**  
(45) **Date of Patent:** **\*\* May 12, 2015**

(54) **CHARGING STATION**

(71) Applicant: **ABB Technology AG**, Zurich (CH)

(72) Inventor: **Micha Gilomen**, Zurich (CH)

(73) Assignee: **ABB Technology AG**, Zürich (CH)

(\*\*) Term: **14 Years**

(21) Appl. No.: **29/488,690**

(22) Filed: **Apr. 22, 2014**

**Related U.S. Application Data**

(62) Division of application No. 29/412,512, filed on Feb. 3, 2012, now Pat. No. Des. 720,285.

**Foreign Application Priority Data**

Aug. 3, 2011 (WO) ..... DM/076 543

(51) **LOC (10) Cl.** ..... **13-02**

(52) **U.S. Cl.**  
USPC ..... **D13/107**

(58) **Field of Classification Search**

CPC ..... Y02E 60/12; Y02T 90/14; Y02T 90/122;  
Y02T 90/128; Y02T 90/163; Y02T 10/7005;  
Y02T 10/705; Y02T 10/7088; H02J 3/32;  
H02J 3/008; H02J 7/025; H02J 7/0013;  
H02J 7/0027; H02J 7/0034; H02J 7/0042;  
H02J 7/0044; H02J 7/0045; H02J 7/0054;  
H02J 7/1423; H02J 7/0003; H02J 2001/006;  
H02J 2001/008; H01F 38/14; H01R 13/6675;  
H01M 2/1022; H01M 2/1055; H01M 10/44;  
H01M 10/46; H01M 10/425; B60L 11/182;  
B60L 11/1809; B60L 11/1861; B60R 16/03  
USPC ..... D13/107-110, 118-119, 184, 199;  
D15/9; 320/103-115

See application file for complete search history.

(56) **References Cited**

U.S. PATENT DOCUMENTS

D608,731 S	1/2010	Amit	
D647,053 S	10/2011	Gotou et al.	
D654,430 S	2/2012	Demers et al.	
D654,860 S	2/2012	Holthusen	
D654,861 S	2/2012	Holthusen	
D659,635 S	5/2012	Hou et al.	
D664,089 S	7/2012	Chin-Ho Kim et al.	
D669,026 S	10/2012	Oda et al.	
D674,335 S	1/2013	Yamashita et al.	
D676,376 S	2/2013	Yamada et al.	
D683,307 S	5/2013	Lecoanet et al.	
D688,199 S	8/2013	Behar et al.	
D698,309 S	1/2014	Moribe et al.	
D708,574 S *	7/2014	Gieniec et al. ....	D13/107
D709,827 S *	7/2014	Kang et al. ....	D13/107

(Continued)

*Primary Examiner* — Rosemary K Tarcza

(74) *Attorney, Agent, or Firm* — Buchanan Ingersoll & Rooney PC

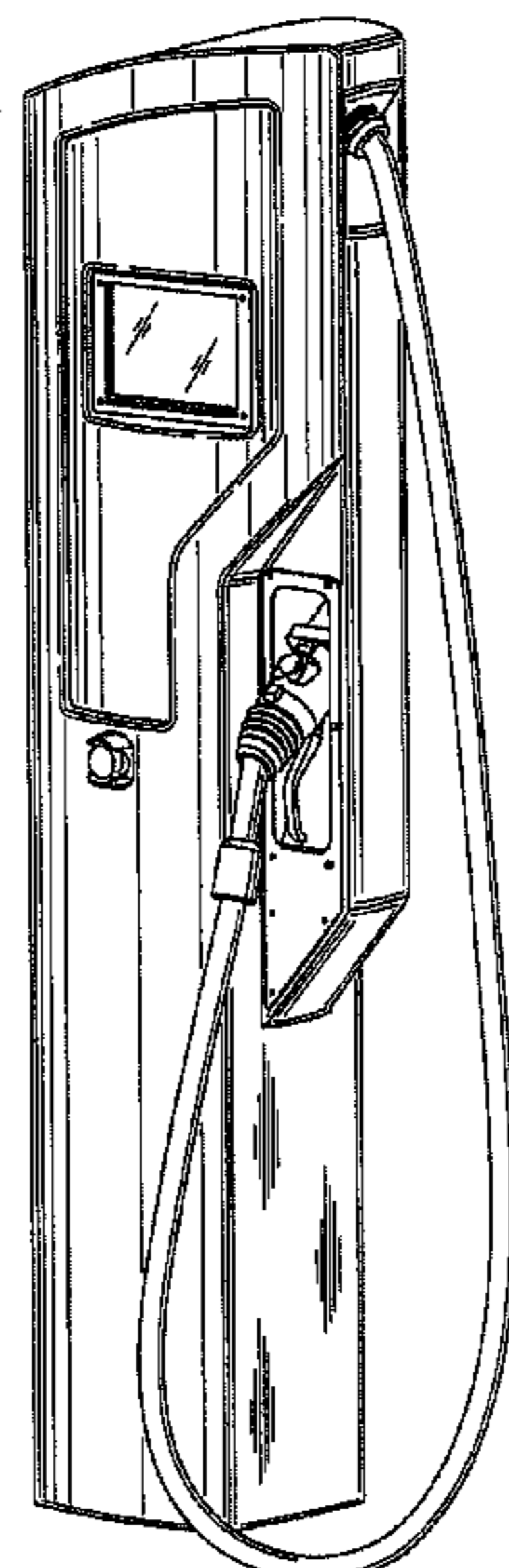
(57) **CLAIM**

The ornamental design for a charging station, as shown and described.

**DESCRIPTION**

FIG. 1 is a perspective view of a front, right side, and top of another embodiment of a charging station;  
FIG. 2 is a front elevational view of the charging station of FIG. 1;  
FIG. 3 is a rear elevational view of the charging station of FIG. 1;  
FIG. 4 is a left side elevational view of the charging station of FIG. 1;  
FIG. 5 is a right side elevational view of the charging station of FIG. 1; and,  
FIG. 6 is a top view of the charging station of FIG. 1.

**1 Claim, 6 Drawing Sheets**



(56)

**References Cited**

U.S. PATENT DOCUMENTS

D711,313 S *	8/2014	Chin-Ho Kim et al. ....	D13/107	2012/0181977 A1	7/2012	Okabayashi et al.	
D711,315 S *	8/2014	Chin-Ho Kim et al. ....	D13/107	2013/0187599 A1	7/2013	Ranga et al.	
D712,349 S *	9/2014	Ahlgren .....	D13/107	2013/0207606 A1	8/2013	Ranga et al.	
D720,285 S *	12/2014	Gilomen .....	D13/107	2013/0335021 A1	12/2013	Meier	
2011/0145141 A1	6/2011	Blain		2014/0055083 A1	2/2014	Moribe et al.	
				2014/0111158 A1*	4/2014	Kinomura et al. ....	320/109
				2014/0117144 A1*	5/2014	Kinomura et al. ....	242/590
				2014/0266017 A1*	9/2014	Hamada et al. ....	320/107

\* cited by examiner

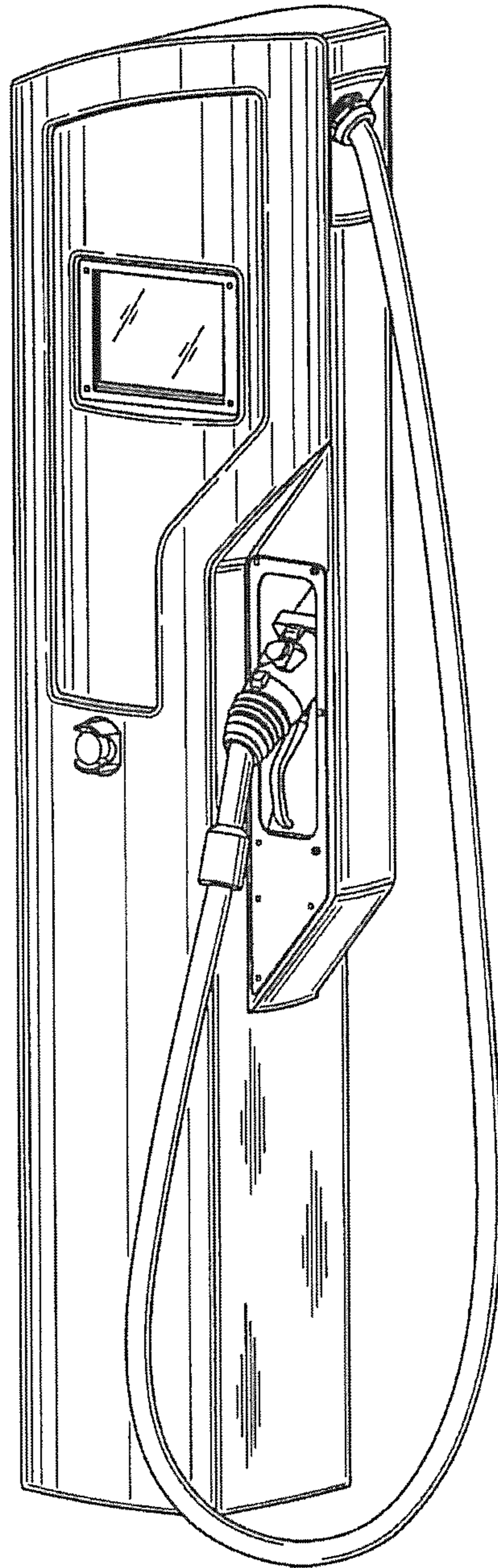


FIG. 1

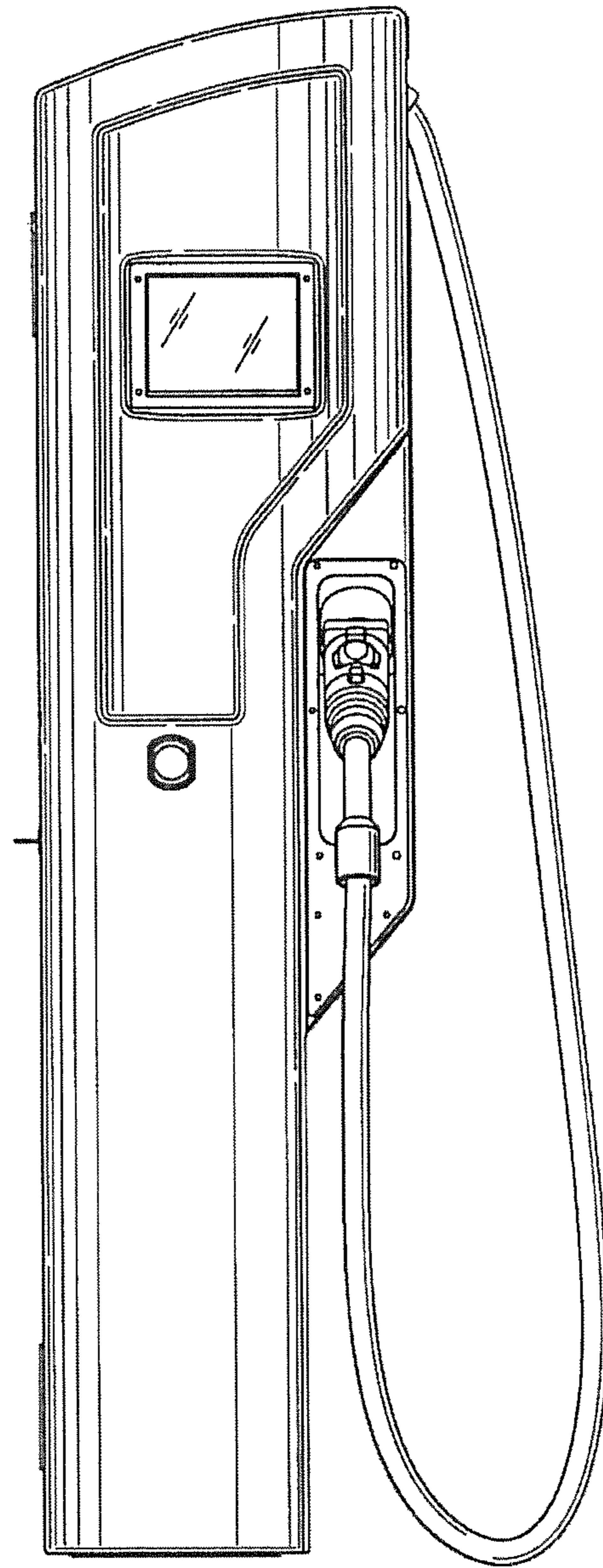


FIG. 2



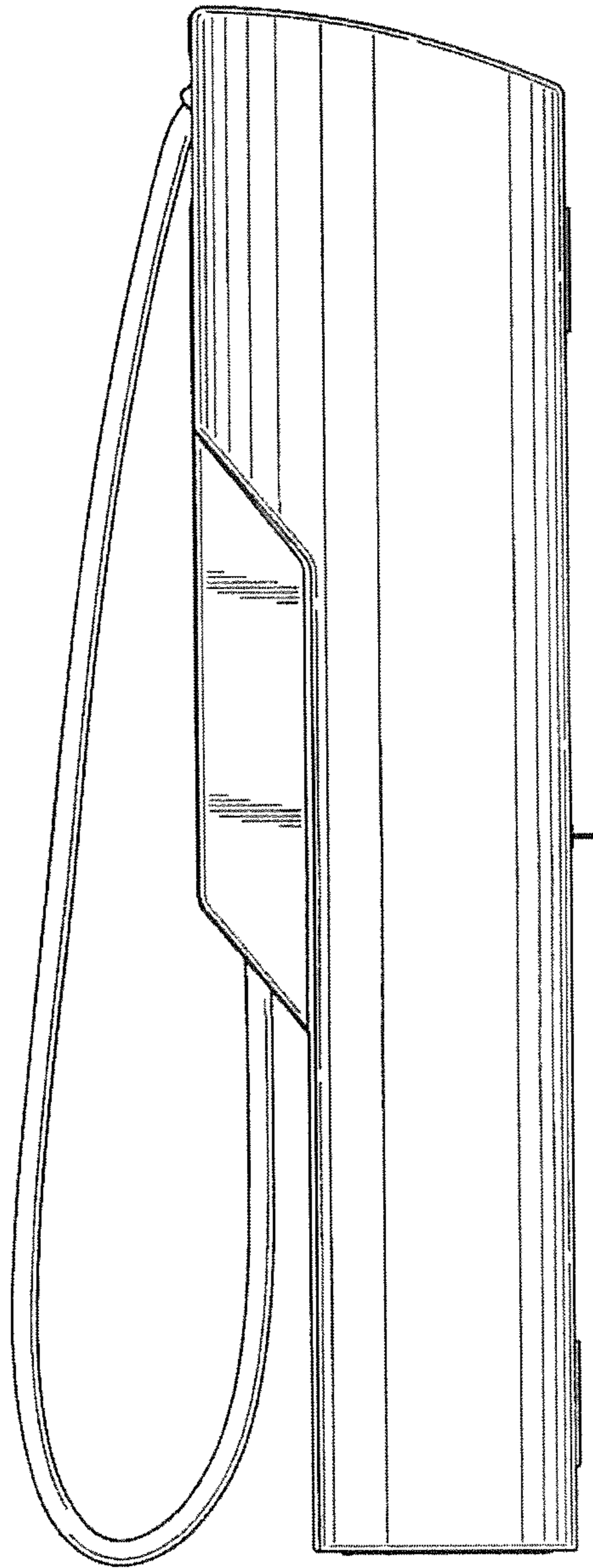


FIG. 3

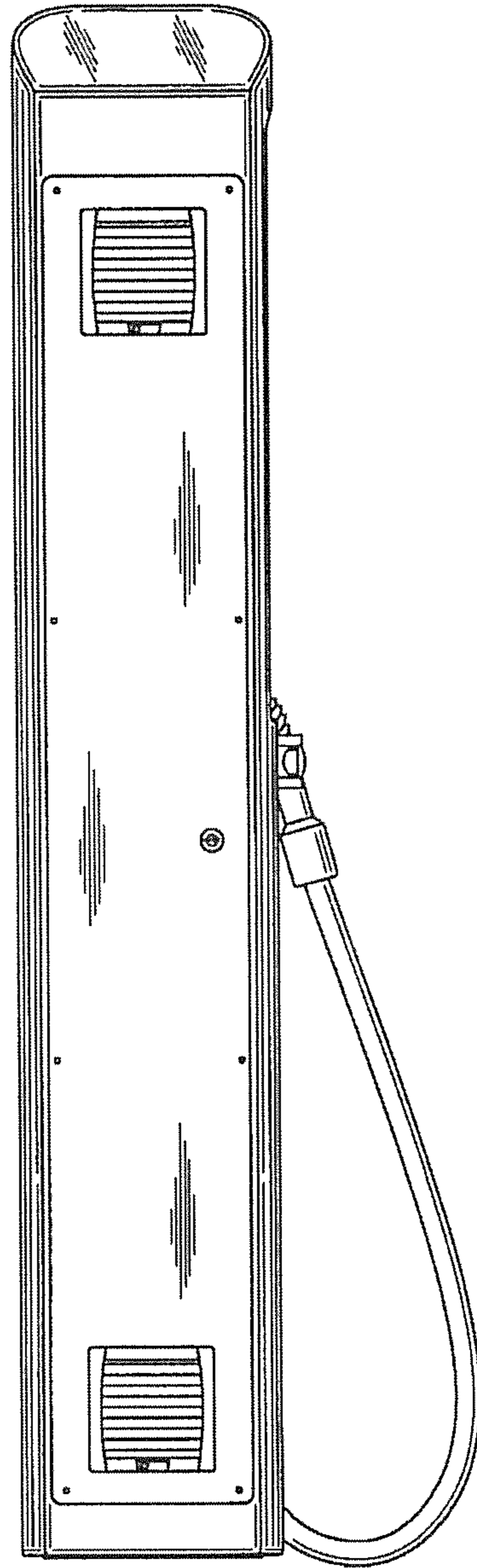


FIG. 4

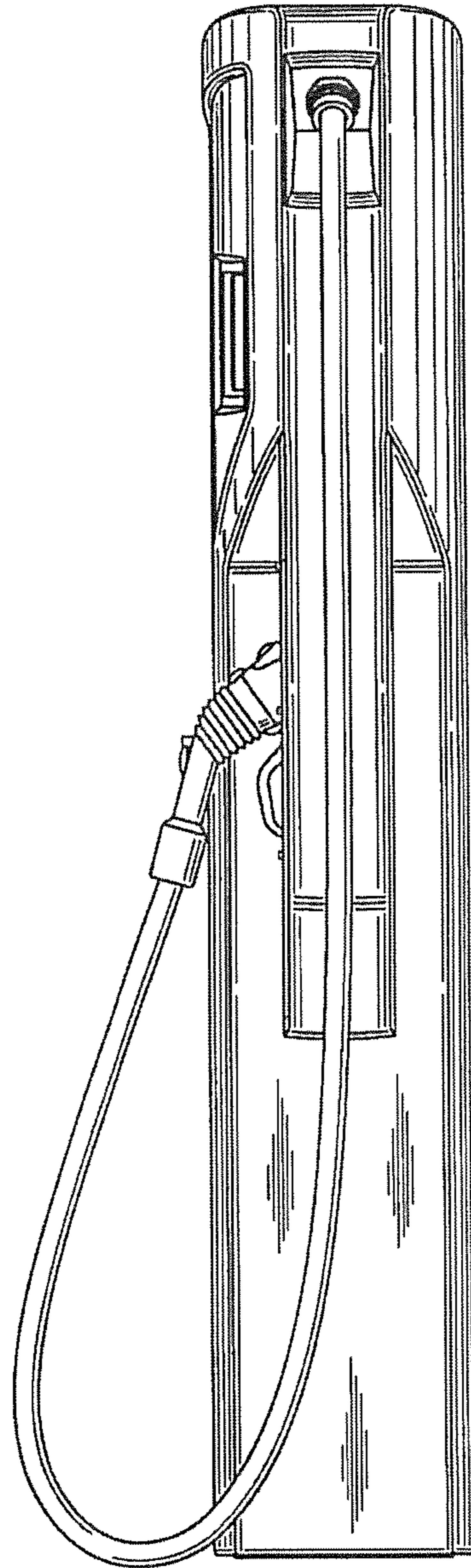


FIG. 5

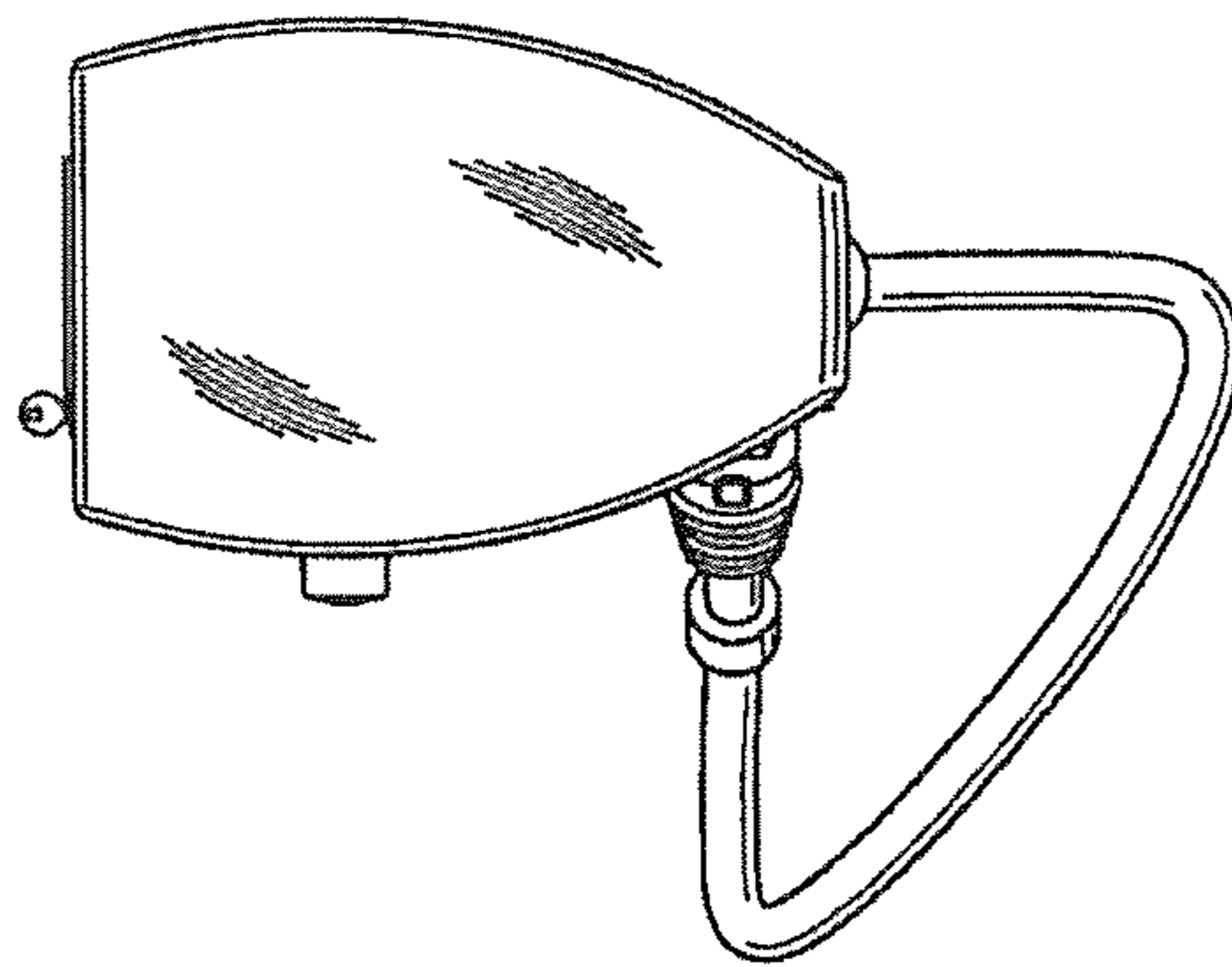


FIG. 6