



US00D729156S

(12) **United States Design Patent**  
**Nook et al.**

(10) **Patent No.:** **US D729,156 S**  
(45) **Date of Patent:** **\*\* May 12, 2015**

(54) **SOLAR PANEL**

(71) Applicants: **Jonathan Lewis Nook**, Gates Mills, OH (US); **William Knight Nook, Sr.**, Shaker Heights, OH (US); **James Richard Stanfield**, Peoria, AZ (US); **Derek Michael Underhill**, Tempe, AZ (US)

(72) Inventors: **Jonathan Lewis Nook**, Gates Mills, OH (US); **William Knight Nook, Sr.**, Shaker Heights, OH (US); **James Richard Stanfield**, Peoria, AZ (US); **Derek Michael Underhill**, Tempe, AZ (US)

(73) Assignee: **The Noco Company**, Glenwillow, OH (US)

(\*\*) Term: **14 Years**

(21) Appl. No.: **29/441,094**

(22) Filed: **Dec. 31, 2012**

(51) **LOC (10) Cl.** ..... **13-02**

(52) **U.S. Cl.**  
USPC ..... **D13/102**

(58) **Field of Classification Search**

CPC ..... H01L 31/00; H01L 31/042; H01L 31/045;  
H01L 31/048; H01L 31/052; H01L 31/0475;  
H01L 31/0485; H01M 10/052; H01M 10/465;  
H02S 30/10; H02S 30/20; Y02E 10/50;  
Y02E 10/52  
USPC ..... D13/102, 101, 103, 107, 108, 199;  
126/569, 624, 704, 710, 711;  
136/243-265; 320/101, 116, 120

See application file for complete search history.

(56) **References Cited**

**U.S. PATENT DOCUMENTS**

4,786,851	A *	11/1988	Fuji et al.	.....	320/101
5,522,943	A *	6/1996	Spencer et al.	.....	136/245
D380,442	S *	7/1997	Fukuhara et al.	.....	D13/102
D391,921	S *	3/1998	Zimmer et al.	.....	D13/102
6,650,085	B2 *	11/2003	Lau et al.	.....	320/101

(Continued)

*Primary Examiner* — Derrick Holland

(74) *Attorney, Agent, or Firm* — Vorys, Sater, Seymour and Pease LLP; William L. Klima

(57) **CLAIM**

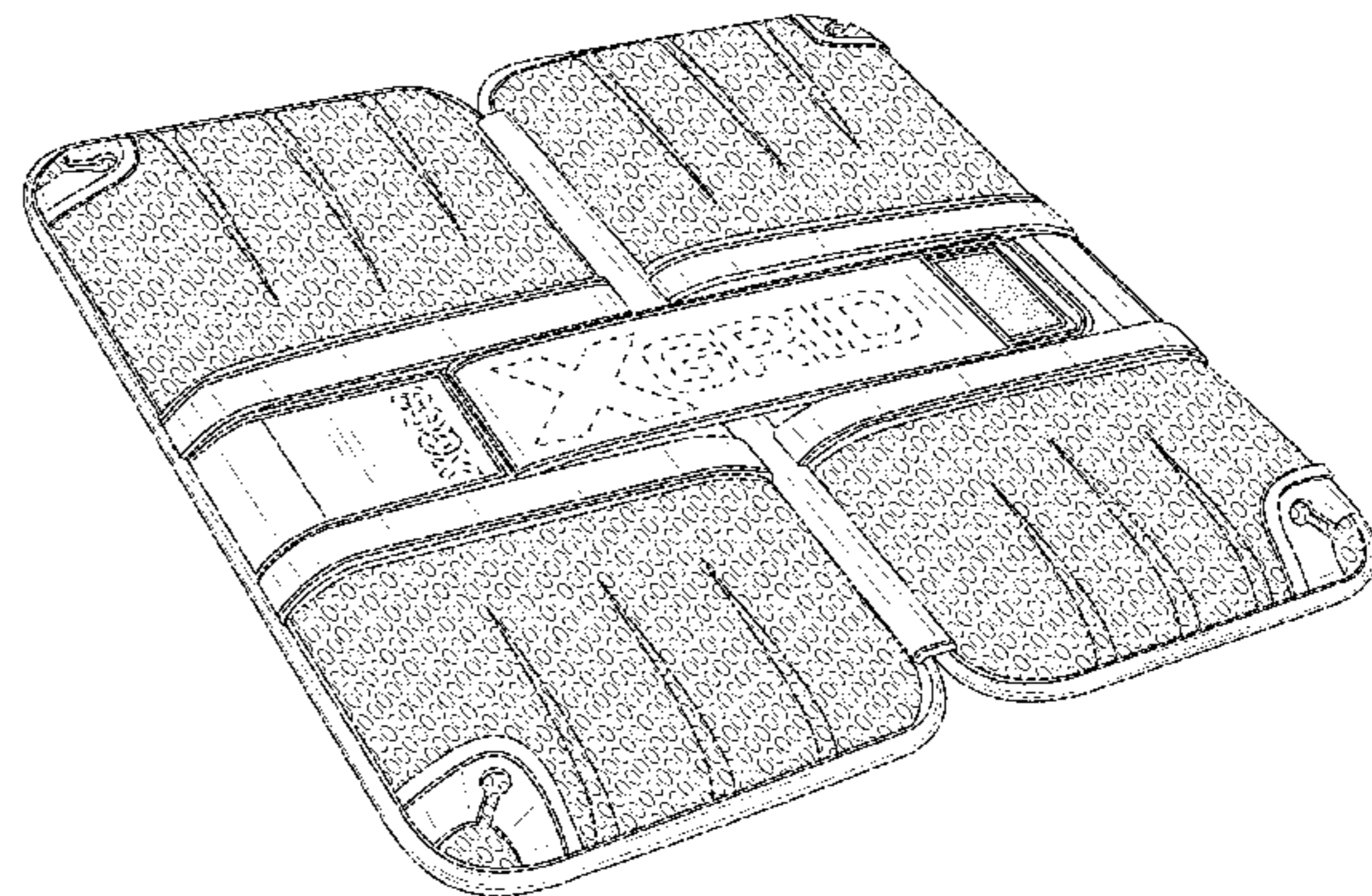
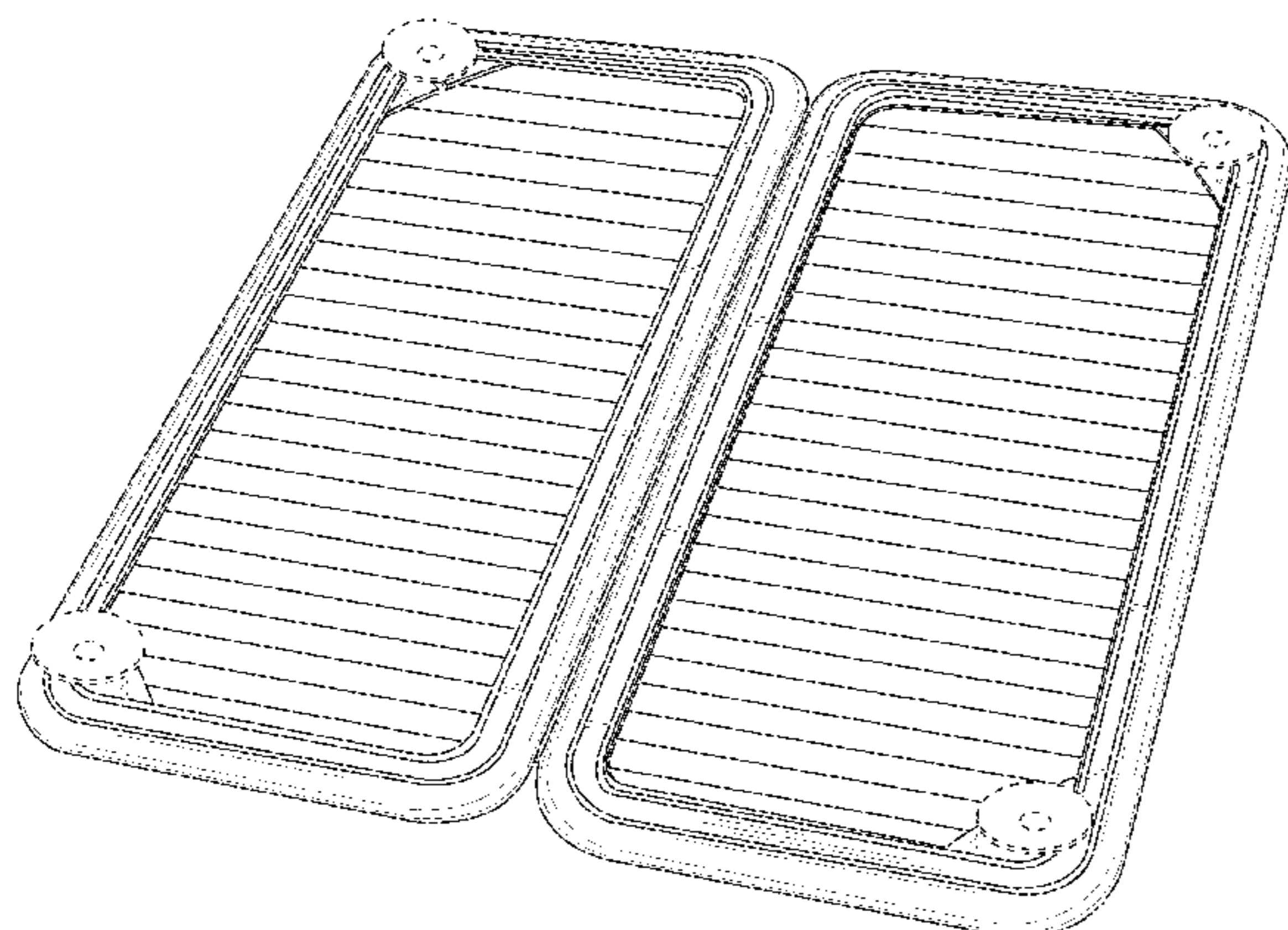
The ornamental design for a solar panel, as shown and described.

**DESCRIPTION**

FIG. 1 is a front perspective view of a first embodiment of a solar panel showing our new design;  
 FIG. 2 is a rear perspective view of the solar panel of FIG. 1;  
 FIG. 3 is a front elevational view of the solar panel as seen in FIG. 1;  
 FIG. 4 is a rear elevational view of the solar panel as seen in FIG. 2;  
 FIG. 5 is a left-side view of the solar panel as seen in FIG. 2;  
 FIG. 6 is a right-side view of the solar panel as seen in FIG. 2;  
 FIG. 7 is a top planar view of the solar panel as seen in FIG. 2;  
 FIG. 8 is a bottom planar view of the solar panel as seen in FIG. 2;  
 FIG. 9 is a front perspective view of a second embodiment of a solar panel showing our new design;  
 FIG. 10 is a rear perspective view of the solar panel of FIG. 9;  
 FIG. 11 is a front elevational view of the solar panel as seen in FIG. 9;  
 FIG. 12 is a rear elevational view of the solar panel as seen in FIG. 10;  
 FIG. 13 is a left-side view of the solar panel as seen in FIG. 10;  
 FIG. 14 is a right-side view of the solar panel as seen in FIG. 10;  
 FIG. 15 is a top planar view of the solar panel as seen in FIG. 10; and,  
 FIG. 16 is a bottom planar view of the solar panel as seen in FIG. 10.

The broken lines shown represent unclaimed subject matter and form no part of the claimed design.

**1 Claim, 12 Drawing Sheets**



(56)

**References Cited**

U.S. PATENT DOCUMENTS

D489,680 S *	5/2004	Stobart .....	D13/107	D625,251 S *	10/2010	Workman et al. ....	D13/102
D599,286 S *	9/2009	Horito et al. ....	D13/102	D643,363 S *	8/2011	Wigmore .....	D13/102
D617,265 S *	6/2010	Sasada et al. ....	D13/102	D650,736 S *	12/2011	Wharram .....	D13/102
D619,090 S *	7/2010	Taggart et al. ....	D13/102	2006/0267543 A1 *	11/2006	O'Donoghue .....	320/104
				2010/0109599 A1 *	5/2010	Lin et al. ....	320/101
				2011/0095719 A1 *	4/2011	Strickland .....	320/101

\* cited by examiner

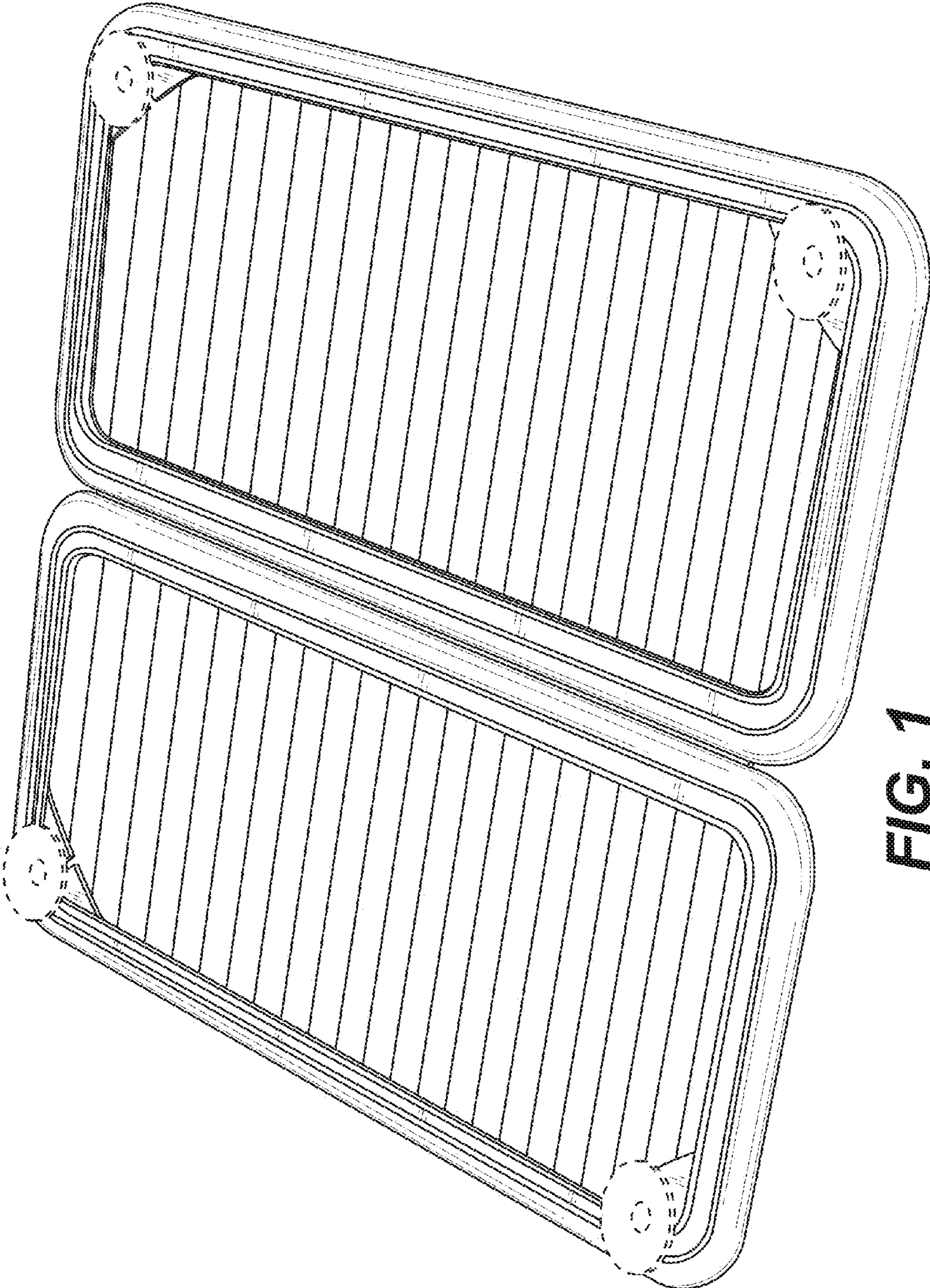


FIG. 1

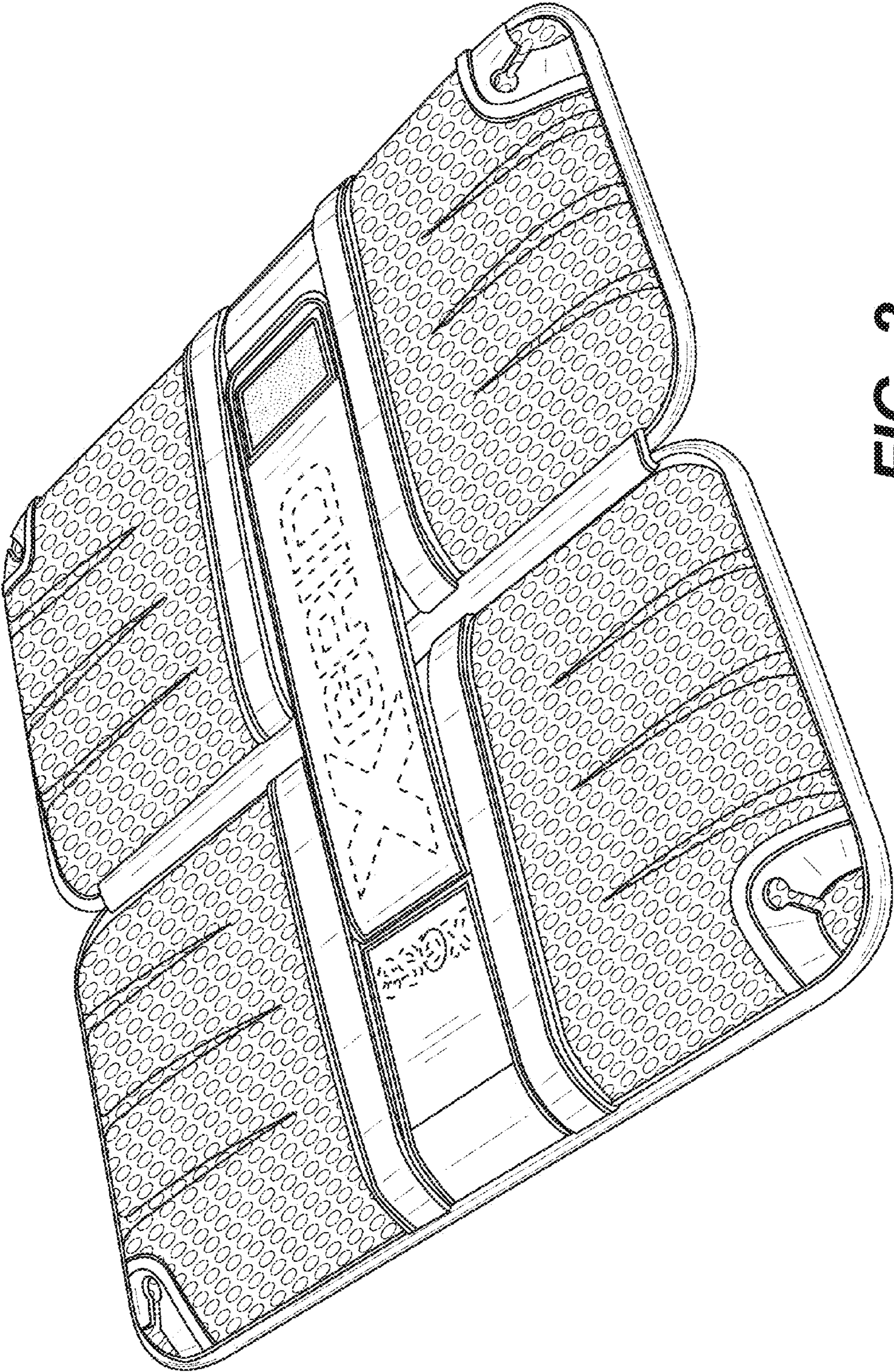
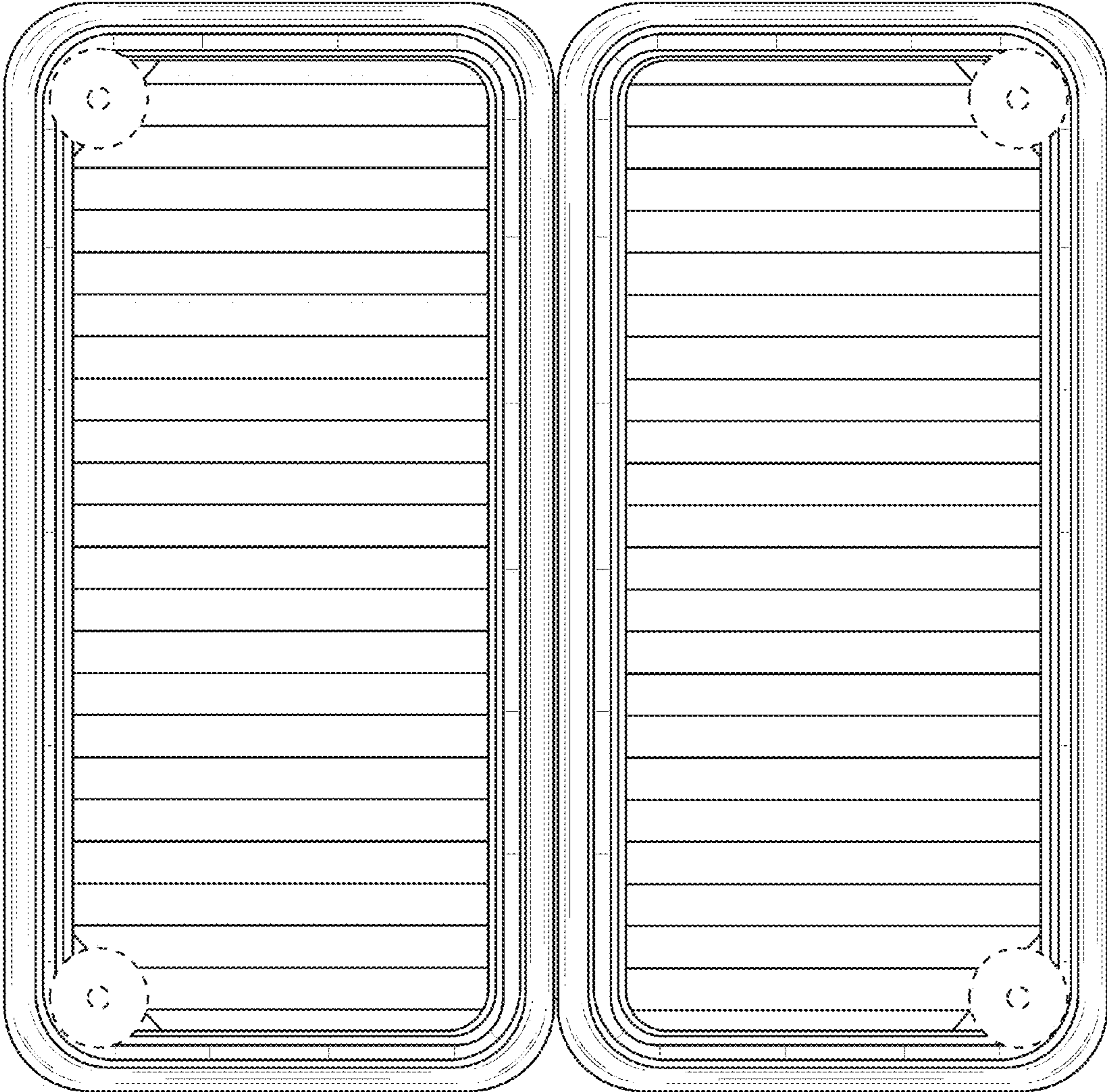
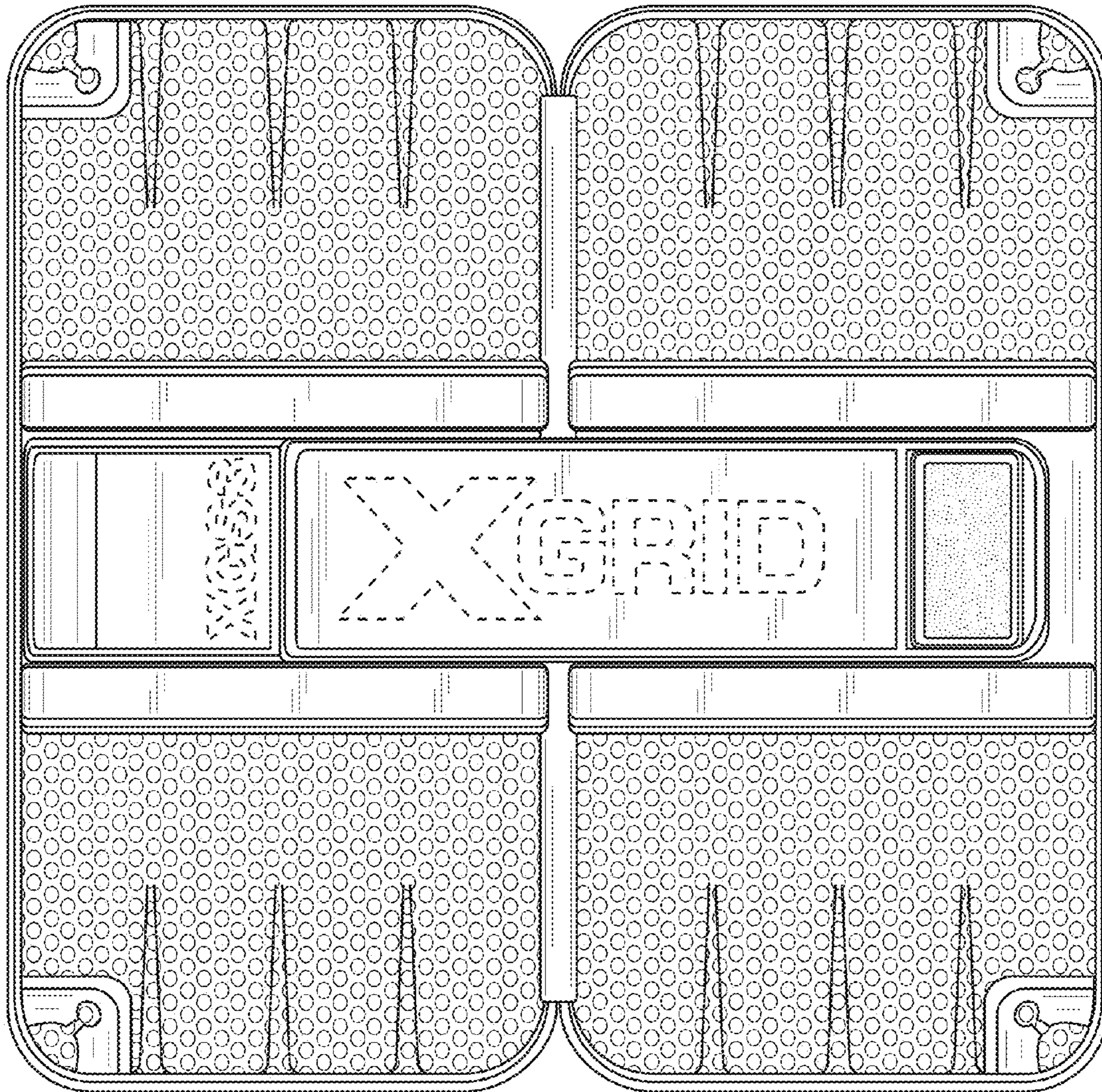


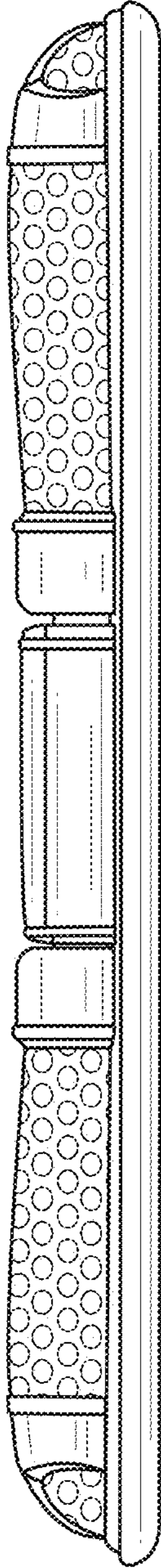
FIG. 2



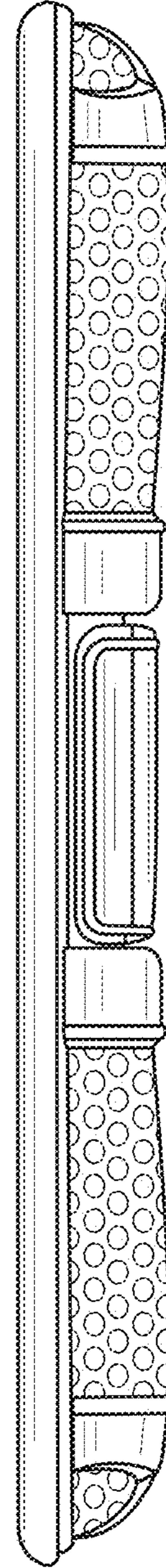
**FIG. 3**



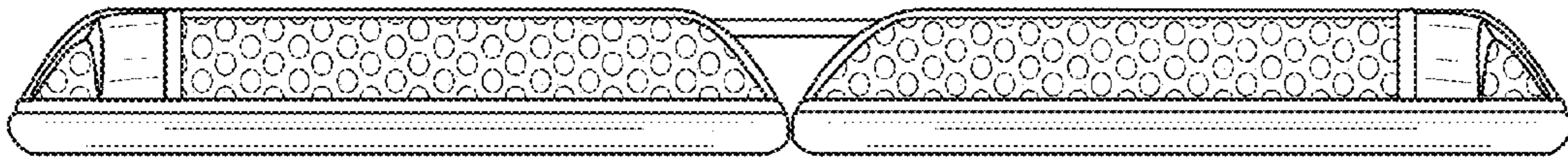
**FIG. 4**



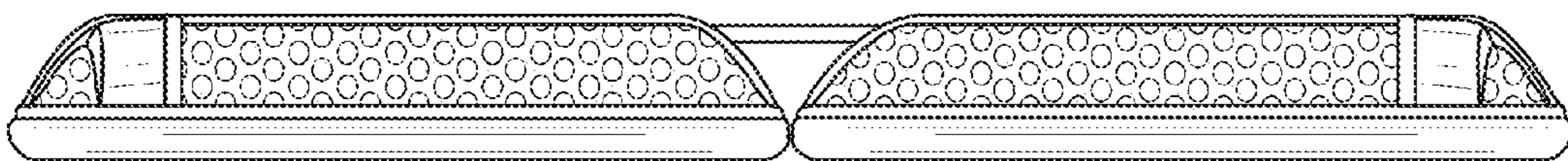
**FIG. 5**



**FIG. 6**



**FIG. 7**



**FIG. 8**



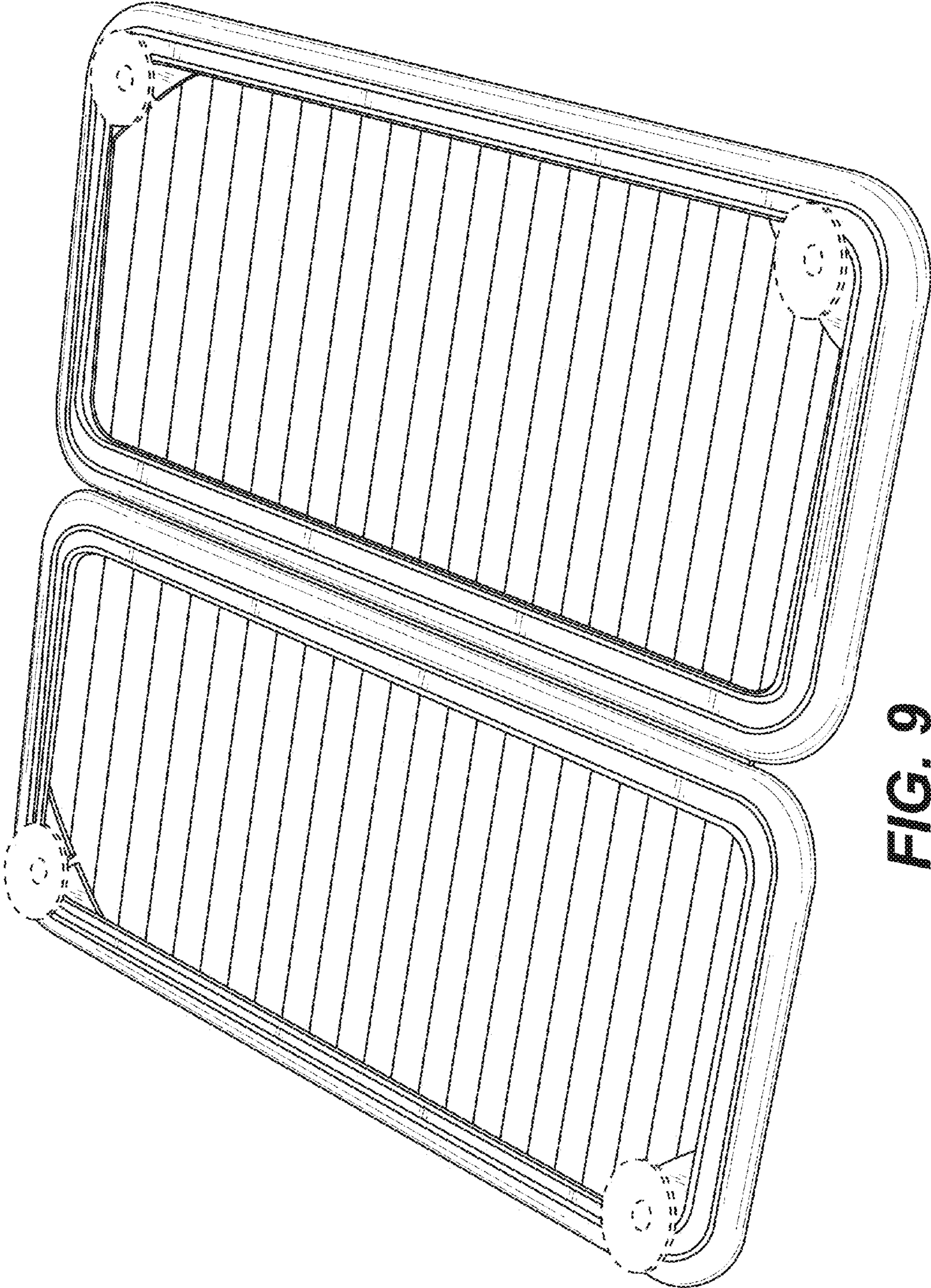


FIG. 9

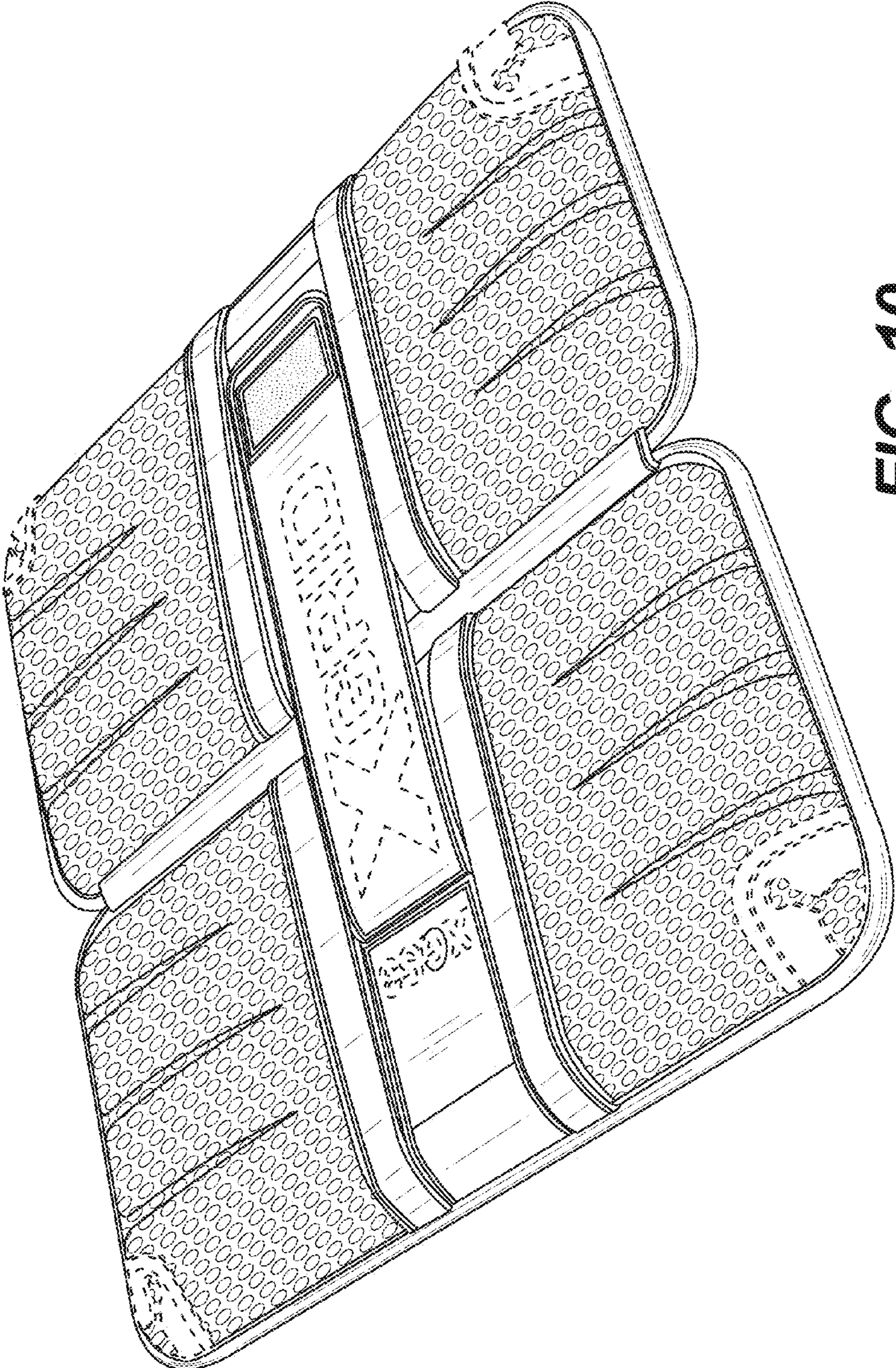
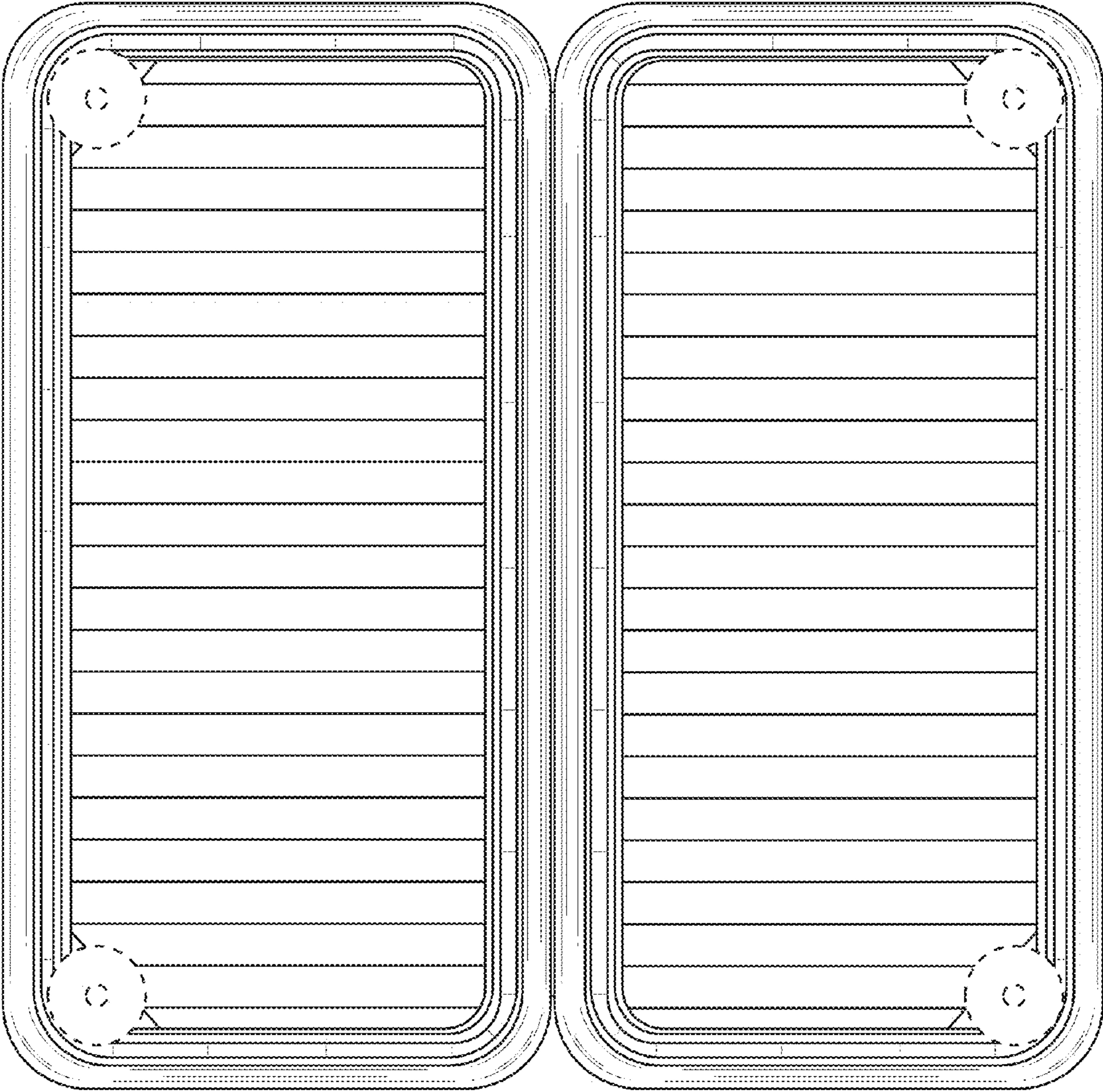
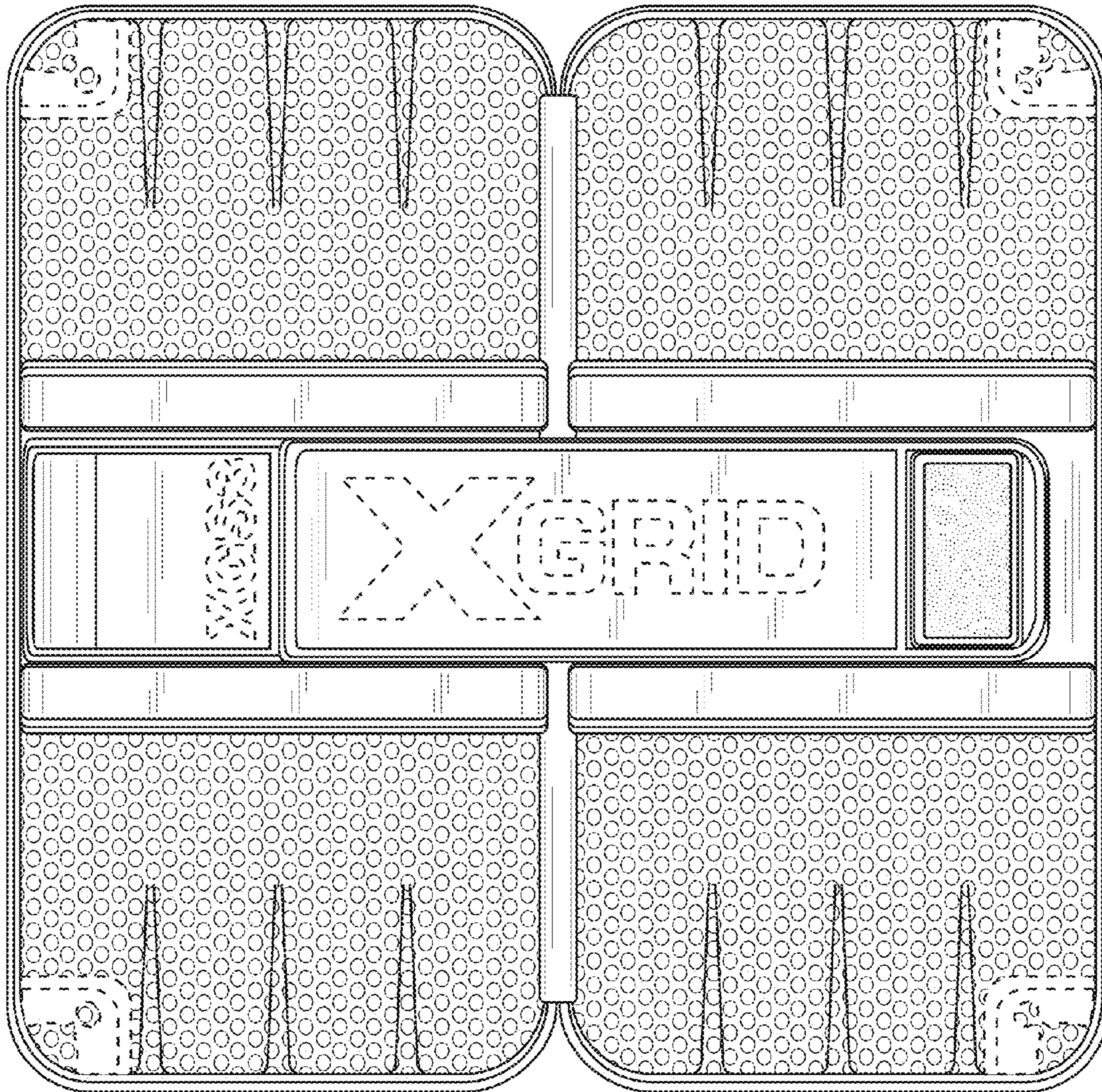


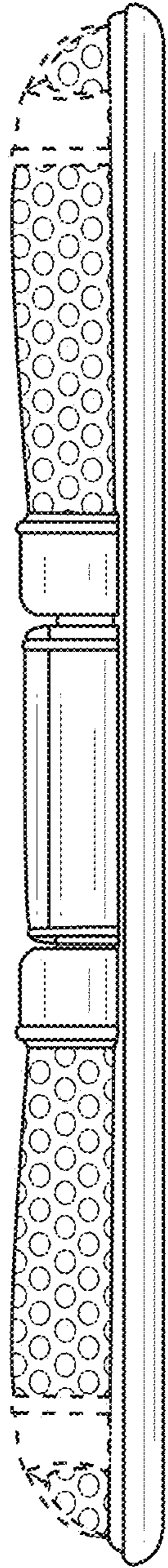
FIG. 10



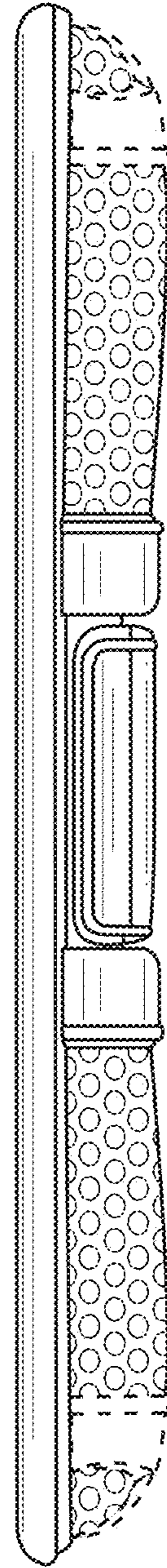
**FIG. 11**



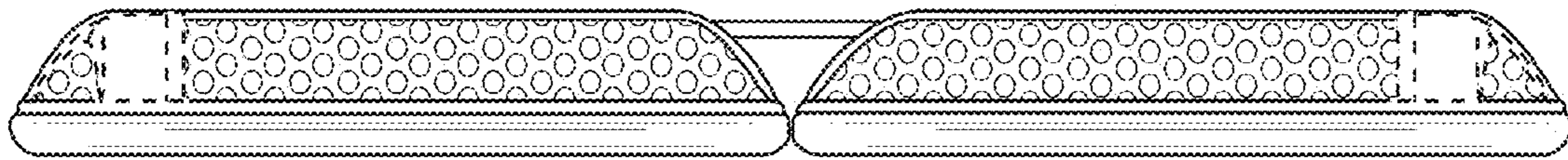
**FIG. 12**



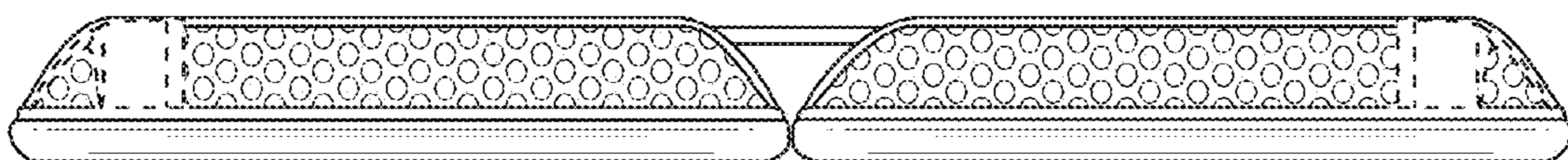
**FIG. 13**



**FIG. 14**



**FIG. 15**



**FIG. 16**