



US00D729145S

(12) **United States Design Patent**
Zuerlein

(10) **Patent No.:** **US D729,145 S**
(45) **Date of Patent:** **** May 12, 2015**

(54) **COIN HOLDER FOR USE IN A VEHICLE CUP HOLDER**

D374,856 S * 10/1996 Berninger D12/419
D536,658 S * 2/2007 Holmes D12/419
D588,520 S * 3/2009 Stewart D12/415
D613,995 S * 4/2010 Mishan D7/409

(71) Applicant: **Reid William Zuerlein**, Elkhorn, NE
(US)

* cited by examiner

(72) Inventor: **Reid William Zuerlein**, Elkhorn, NE
(US)

Primary Examiner — Katrina A Betton

(74) *Attorney, Agent, or Firm* — Loza & Loza LLP; Heidi L. Eisenhut

(**) Term: **14 Years**

(57) **CLAIM**

(21) Appl. No.: **29/465,462**

The ornamental design of a coin holder for use in a vehicle cup holder, as shown and described.

(22) Filed: **Aug. 28, 2013**

DESCRIPTION

(51) **LOC (10) Cl.** **12-16**

(52) **U.S. Cl.**
USPC **D12/415**

(58) **Field of Classification Search**
USPC D12/415, 416-420, 400, 191, 106, 195,
D12/345, 96, 99; 312/246; 296/37.1-37.8,
296/70, 24.1, 24.3, 24.34, 97.1, 97.8;
224/311, 539, 281, 118.1;
160/370.21-370.23

See application file for complete search history.

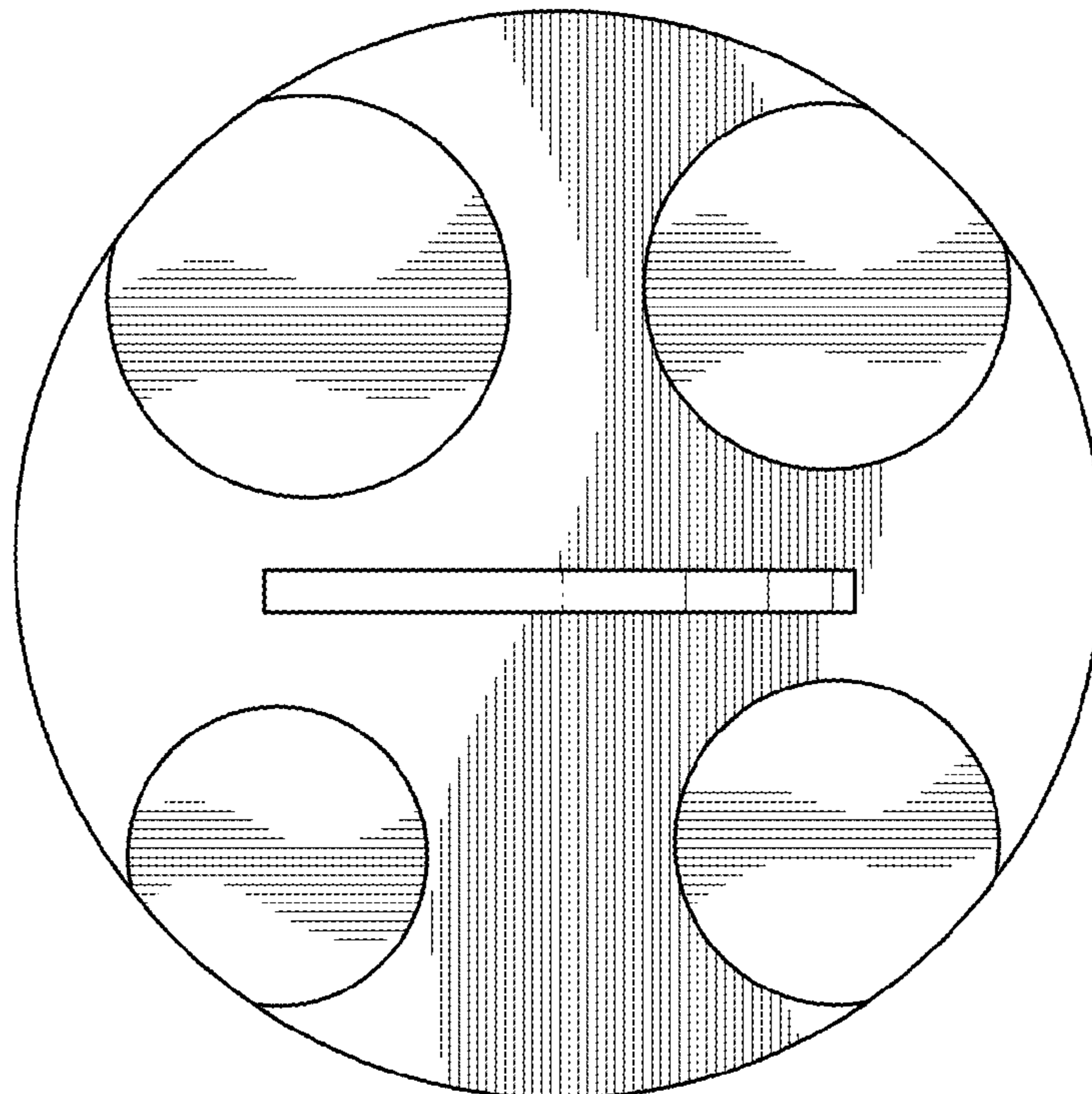
FIG. 1 is a top perspective view of a coin holder for use in a vehicle cup holder of the present invention;
FIG. 2 is a top plan view of the coin holder for use in a vehicle cup holder of FIG. 1;
FIG. 3 is a first elevation view of the coin holder for use in a vehicle cup holder of FIG. 1;
FIG. 4 is a second elevation view of the coin holder for use in a vehicle cup holder of FIG. 1;
FIG. 5 is a third elevation view of the coin holder for use in a vehicle cup holder of FIG. 1;
FIG. 6 is a fourth elevation view of the coin holder for use in a vehicle cup holder of FIG. 1; and,
FIG. 7 is a bottom plan view of the coin holder for use in a vehicle cup holder of FIG. 1.

(56) **References Cited**

U.S. PATENT DOCUMENTS

D272,486 S * 2/1984 Benedetti D12/419
D360,396 S * 7/1995 Collins D12/419
D373,858 S * 9/1996 Chen D30/130

1 Claim, 5 Drawing Sheets



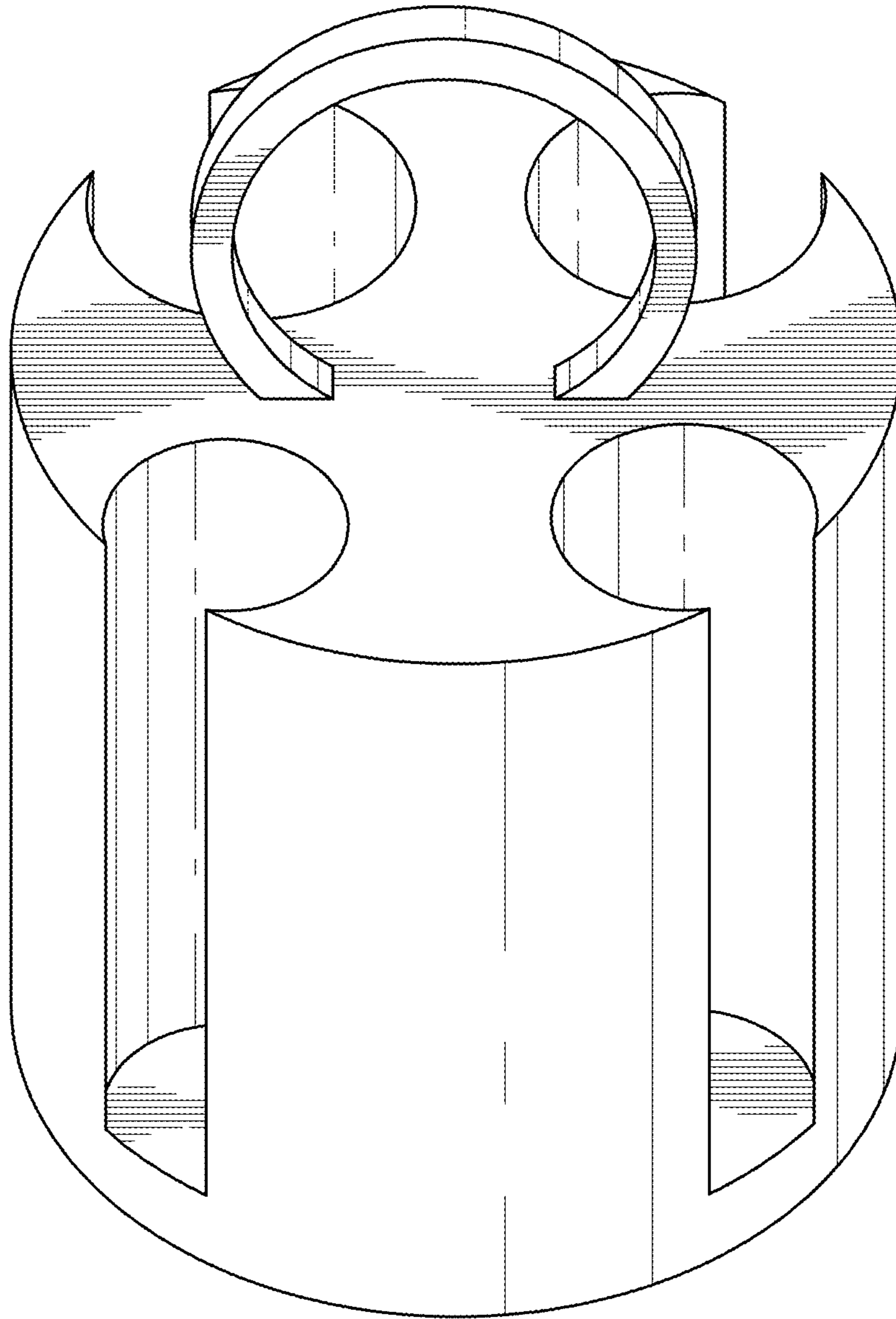


FIG. 1

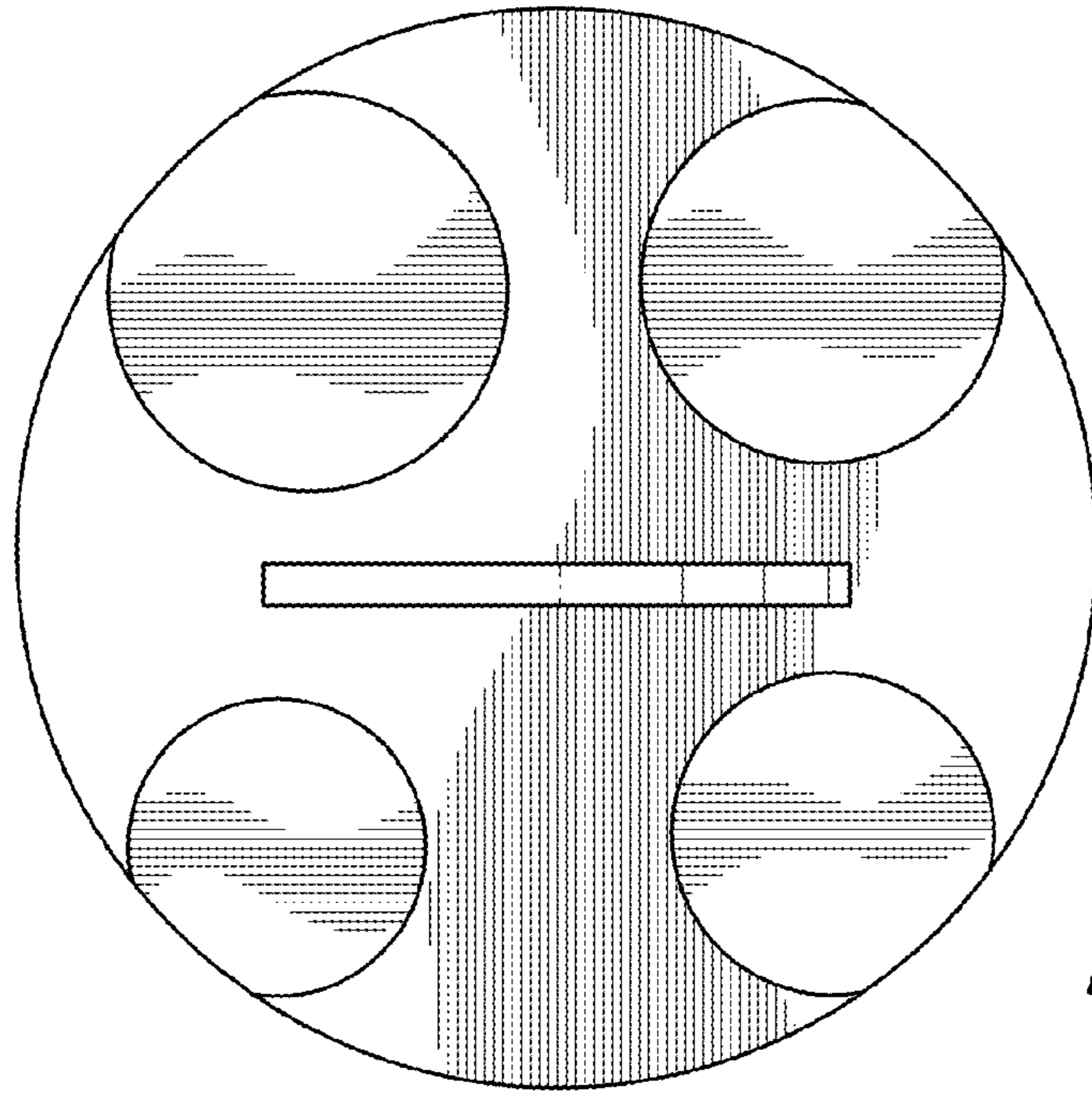


FIG. 2

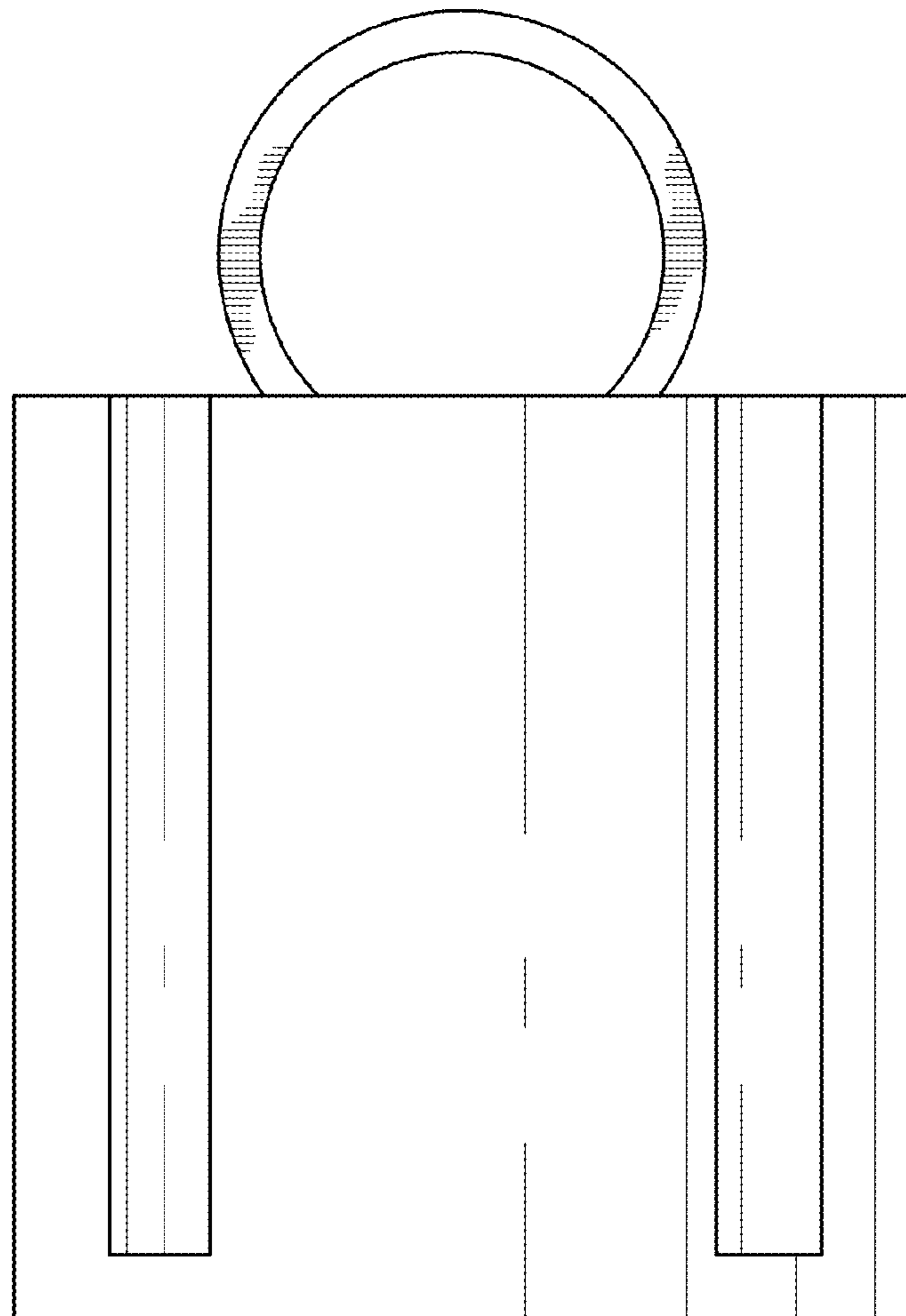


FIG. 3

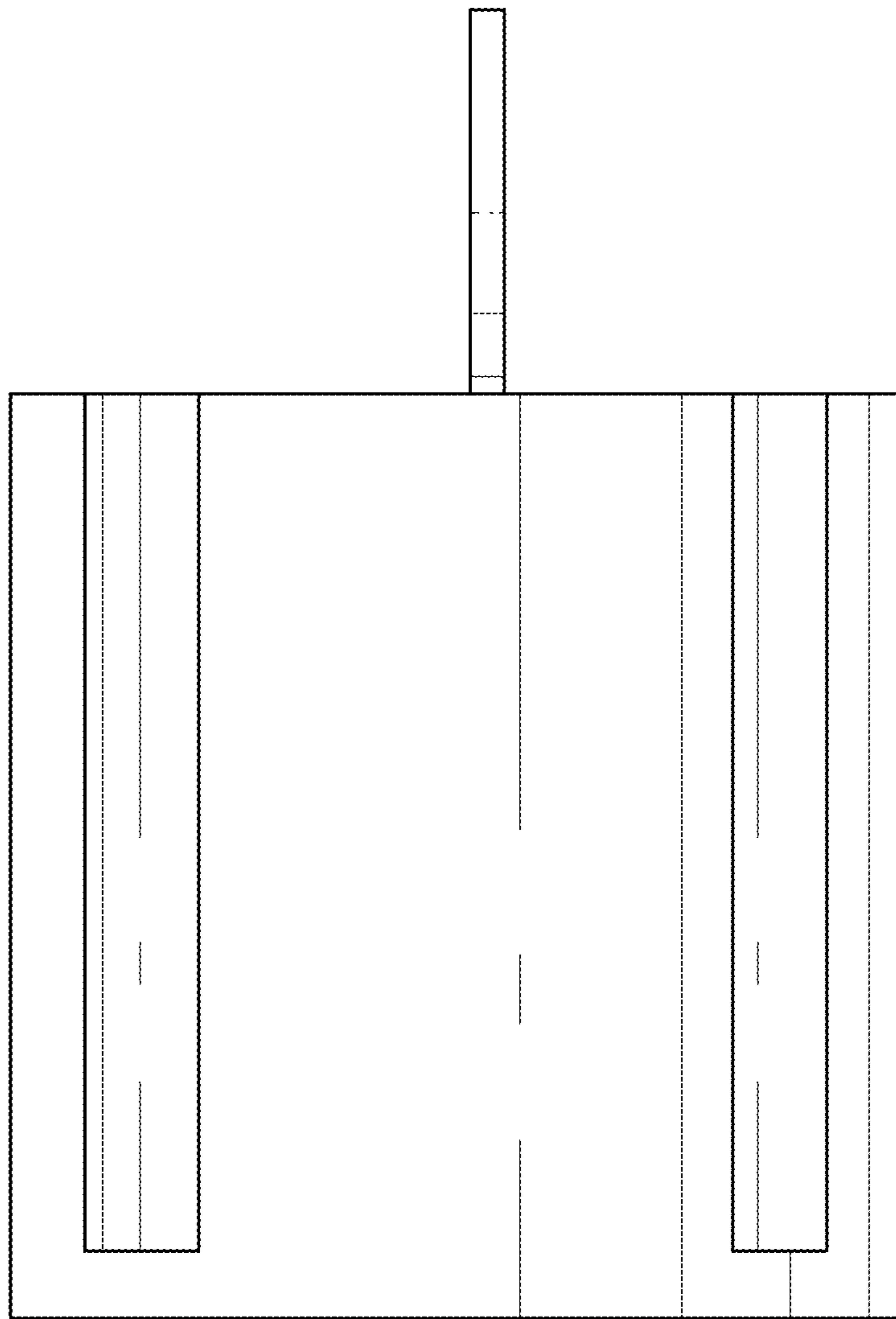


FIG. 4

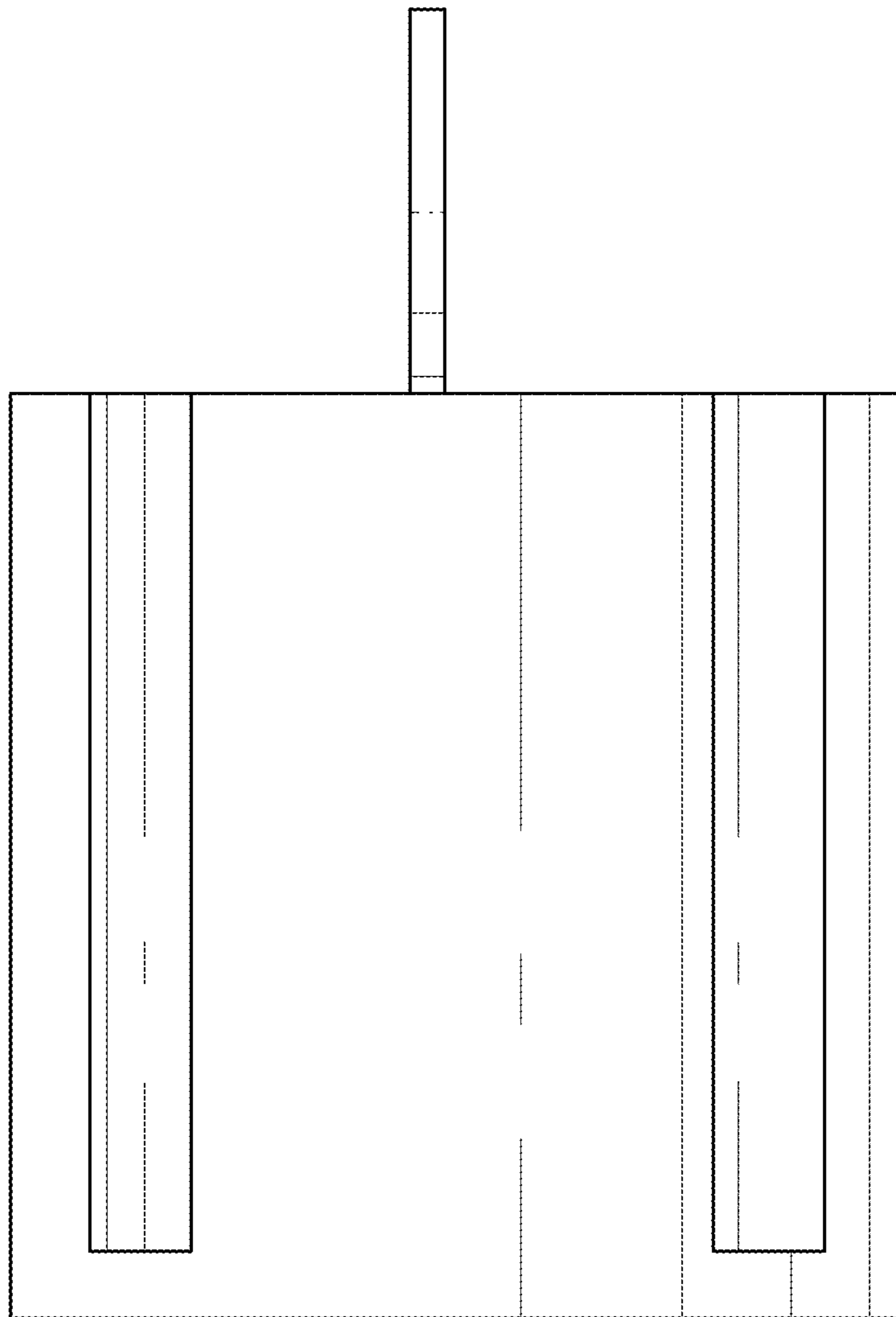


FIG. 5

FIG. 6

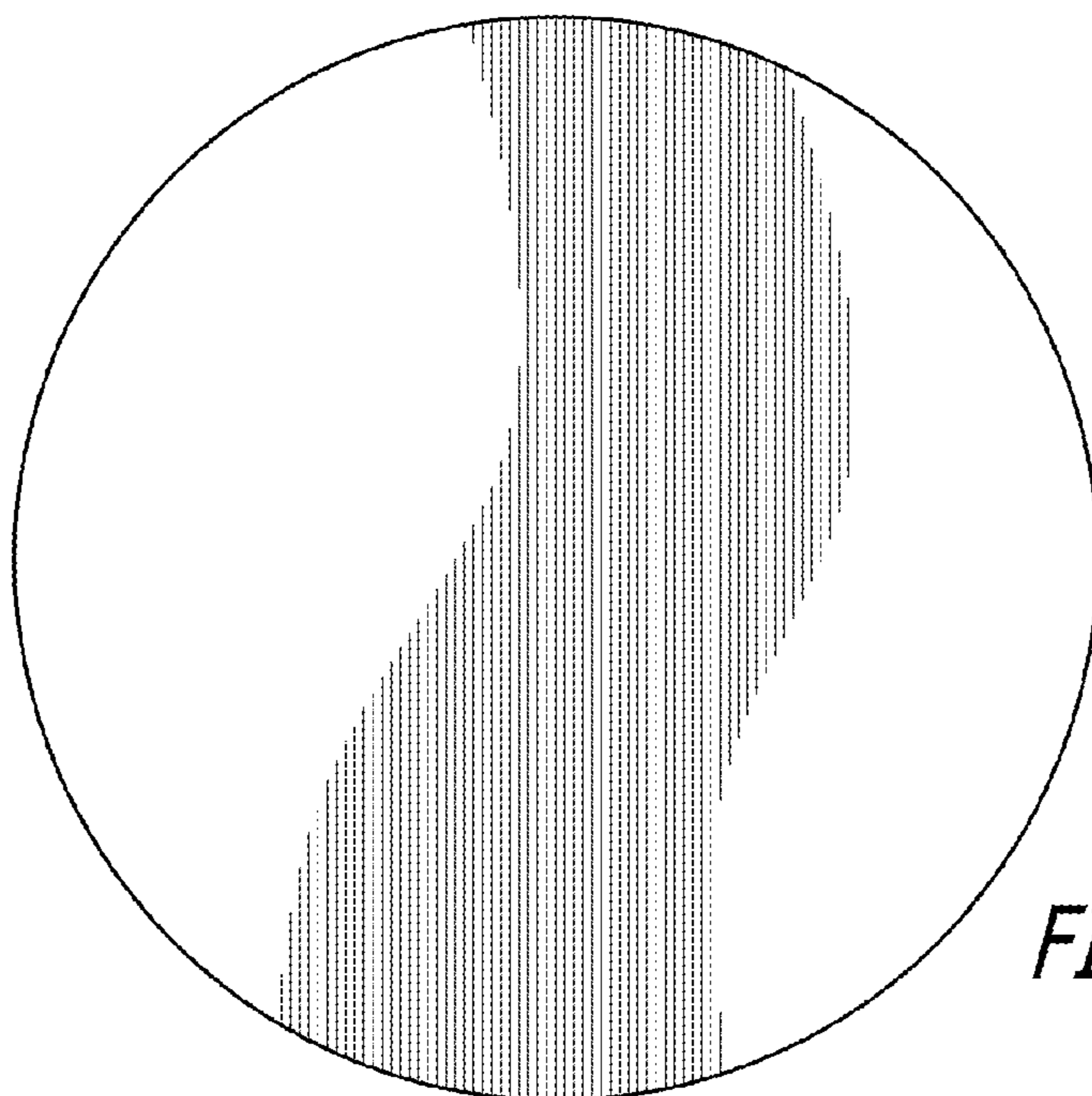
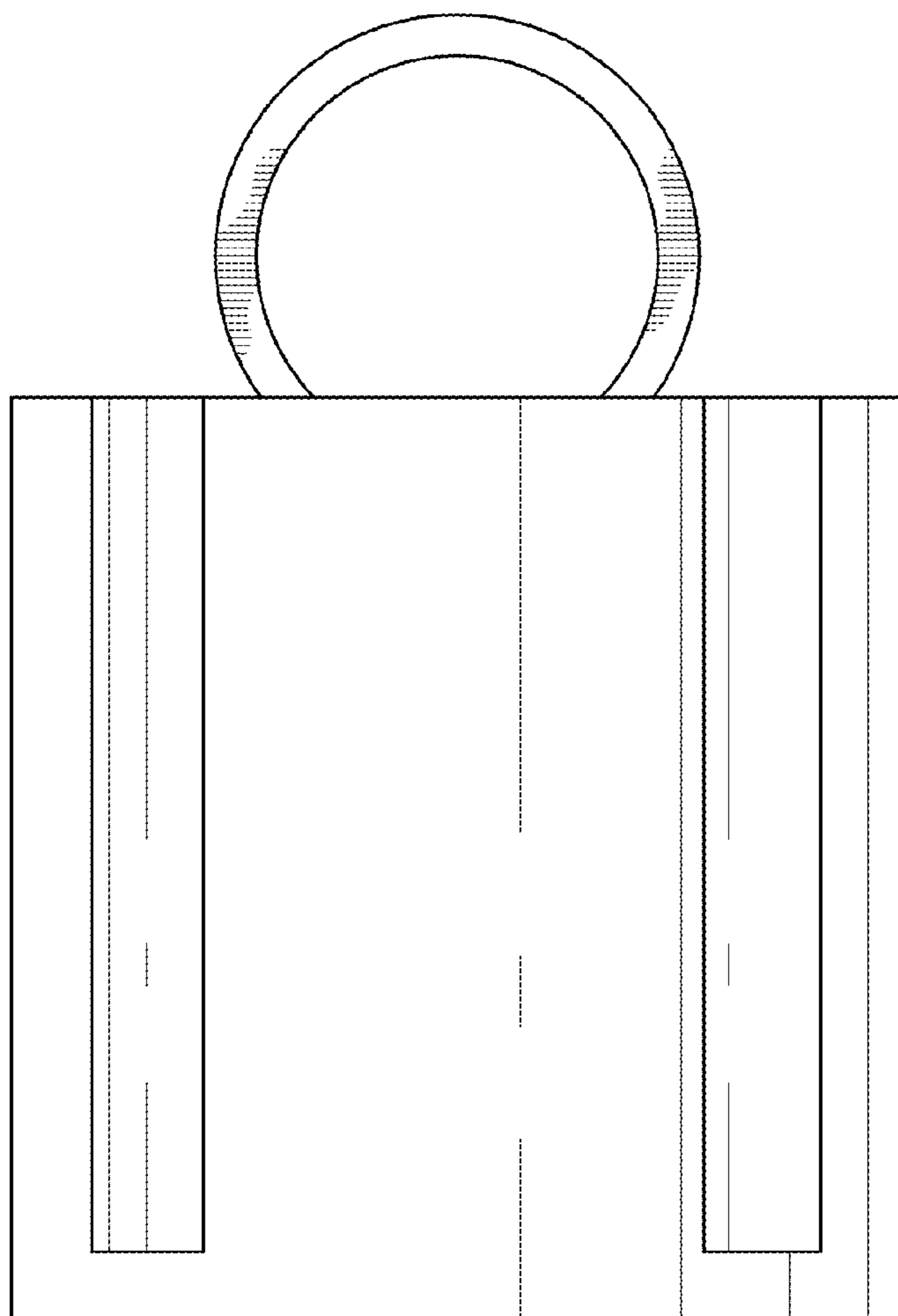


FIG. 7