



US00D729144S

(12) **United States Design Patent**
Yamamoto

(10) **Patent No.:** **US D729,144 S**

(45) **Date of Patent:** **** May 12, 2015**

(54) **CONSOLE FOR AUTOMOBILE**

(71) Applicant: **Honda Motor Co., Ltd**, Tokyo (JP)

(72) Inventor: **Hiroyuki Yamamoto**, Wako (JP)

(73) Assignee: **Honda Motor Co., Ltd.**, Tokyo (JP)

(**) Term: **14 Years**

(21) Appl. No.: **29/459,032**

(22) Filed: **Jun. 25, 2013**

(30) **Foreign Application Priority Data**

Dec. 28, 2012 (JP) 2012-032047

(51) **LOC (10) Cl.** **12-16**

(52) **U.S. Cl.**
USPC **D12/415**

(58) **Field of Classification Search**
USPC D12/415, 416-420, 400, 191, 106, 195,
D12/345, 96, 99; 312/246; 296/37.1-37.8,
296/70, 24.1, 24.3, 24.34, 97.1, 97.8;
224/311, 539, 281, 118.1;
160/370.21-370.23

See application file for complete search history.

(56) **References Cited**

U.S. PATENT DOCUMENTS

D216,780 S * 3/1970 Piergiorgio et al. D12/179
D598,362 S * 8/2009 Tan et al. D12/415

D632,639 S * 2/2011 Rosenbohm D12/415
D673,496 S * 1/2013 Kikuta et al. D12/415
D713,324 S * 9/2014 Bose et al. D12/415

* cited by examiner

Primary Examiner — Katrina A Betton

(74) *Attorney, Agent, or Firm* — Westerman, Hattori,
Daniels & Adrian, LLP

(57) **CLAIM**

The ornamental design for a console for automobile, as shown and described.

DESCRIPTION

FIG. 1 is a perspective view from the left side of a console for automobile.

FIG. 2 is a perspective view from the right side thereof.

FIG. 3 is a front elevation view thereof.

FIG. 4 is a rear elevation view thereof.

FIG. 5 is a right side elevation view thereof.

FIG. 6 is a left side elevation view thereof.

FIG. 7 is a top plan view thereof.

FIG. 8 is a referential perspective view with the armrest portion slid.

FIG. 9 is a referential perspective view from the left side with the armrest portion opened; and,

FIG. 10 is a referential perspective view from the right side with the armrest portion opened.

The portions of the console shown in broken lines are for the purpose of showing environmental structure only and form no part of the claimed design.

1 Claim, 10 Drawing Sheets

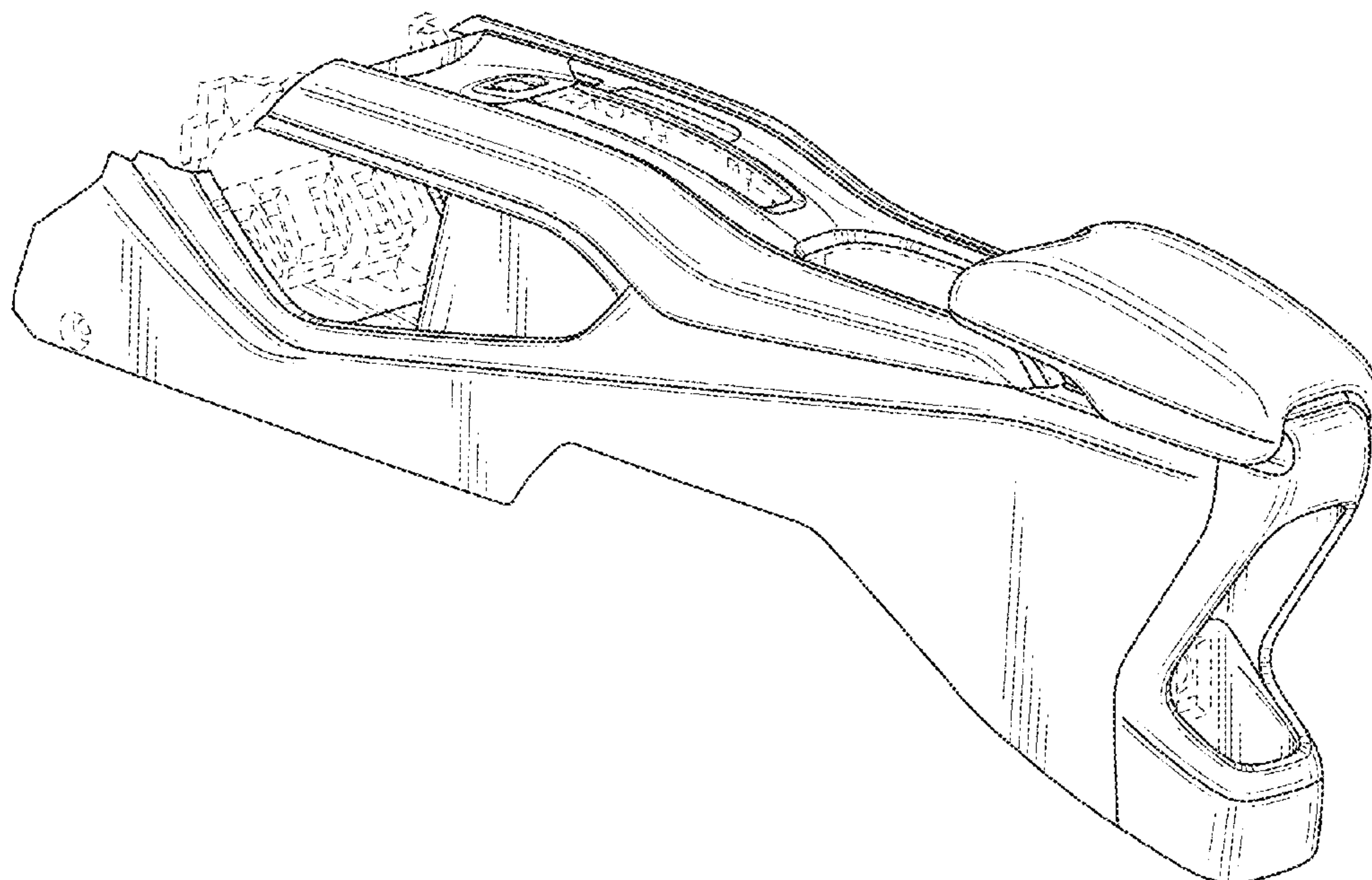


FIG. 1

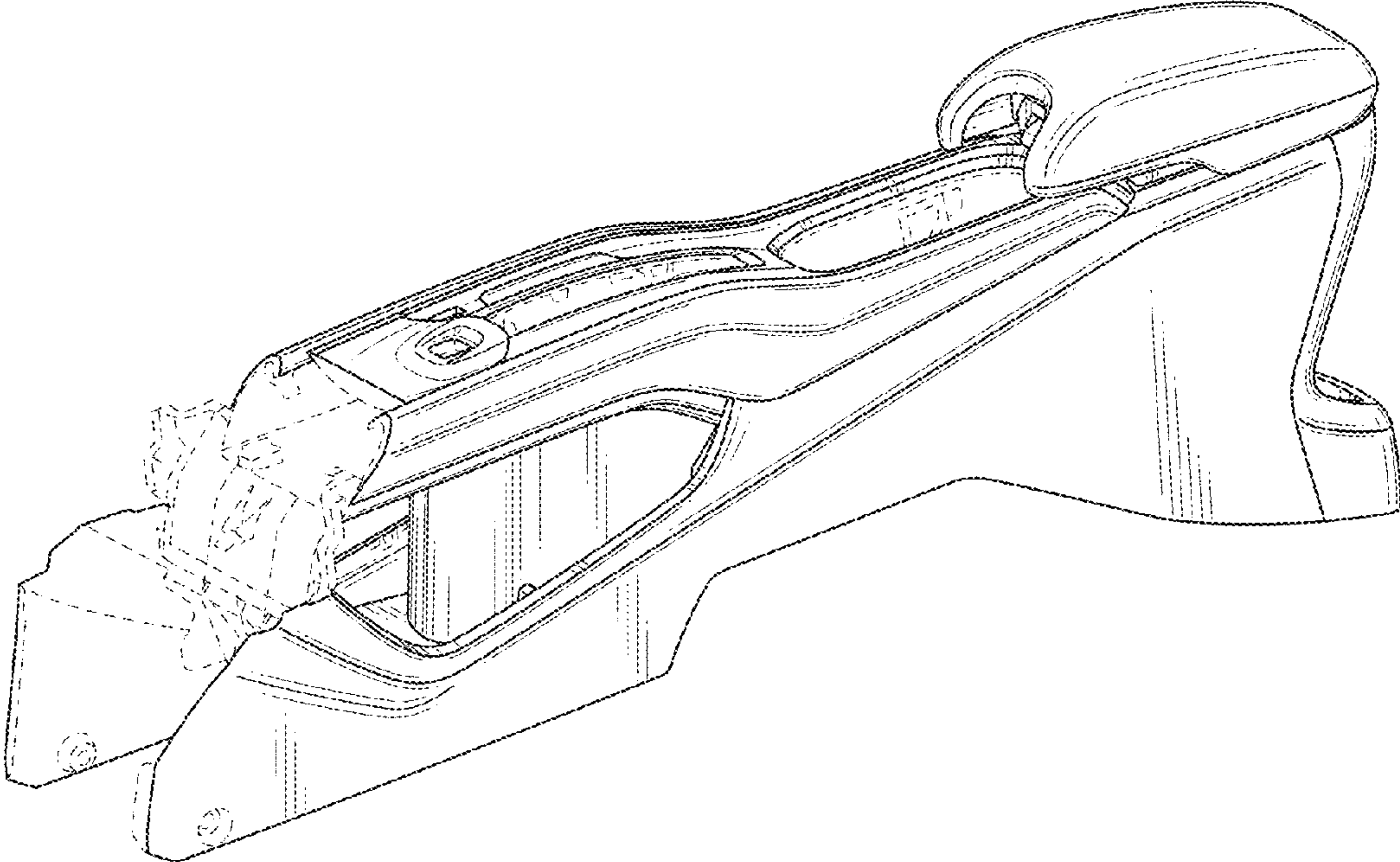


FIG. 2

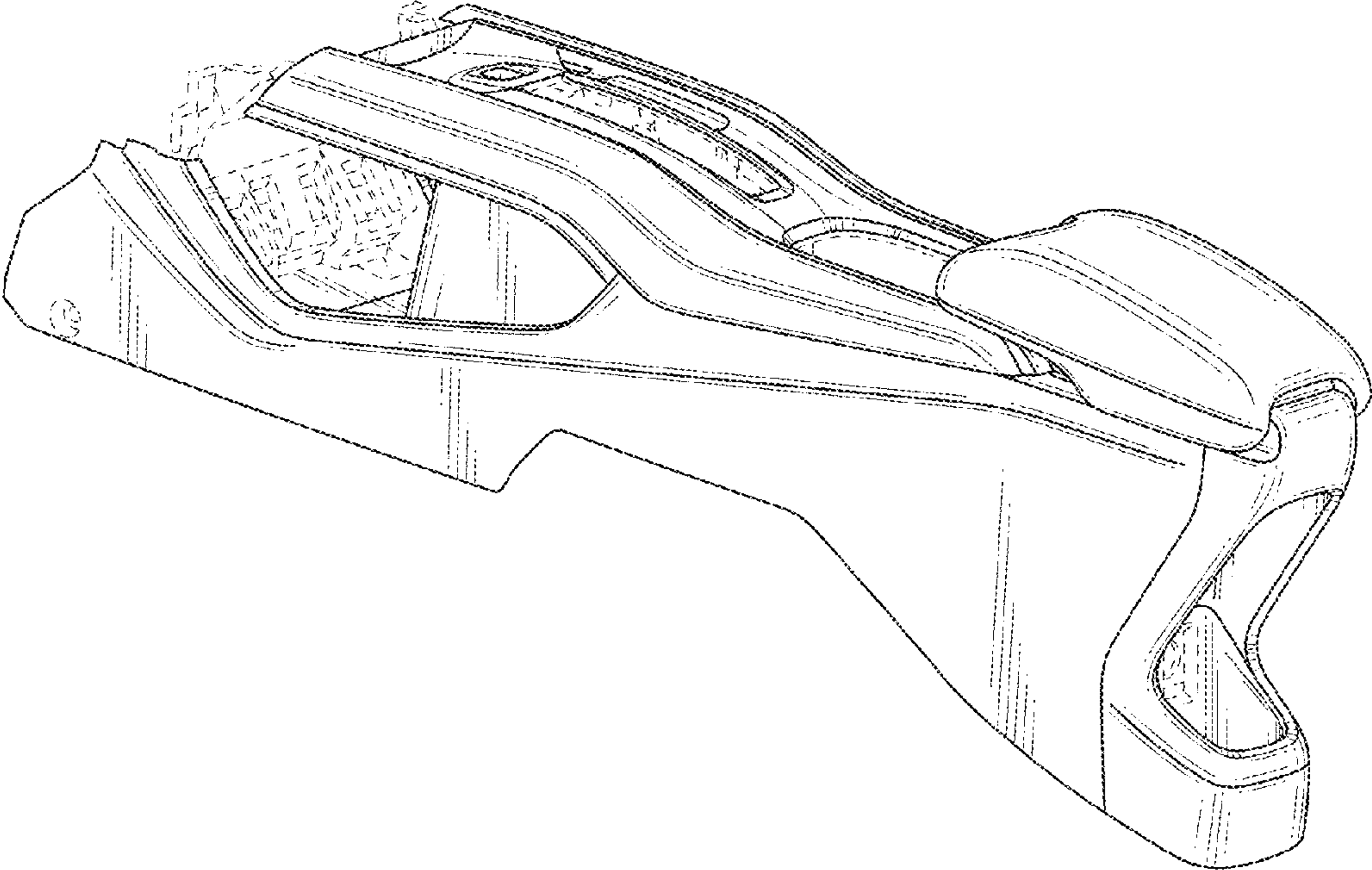


FIG. 3

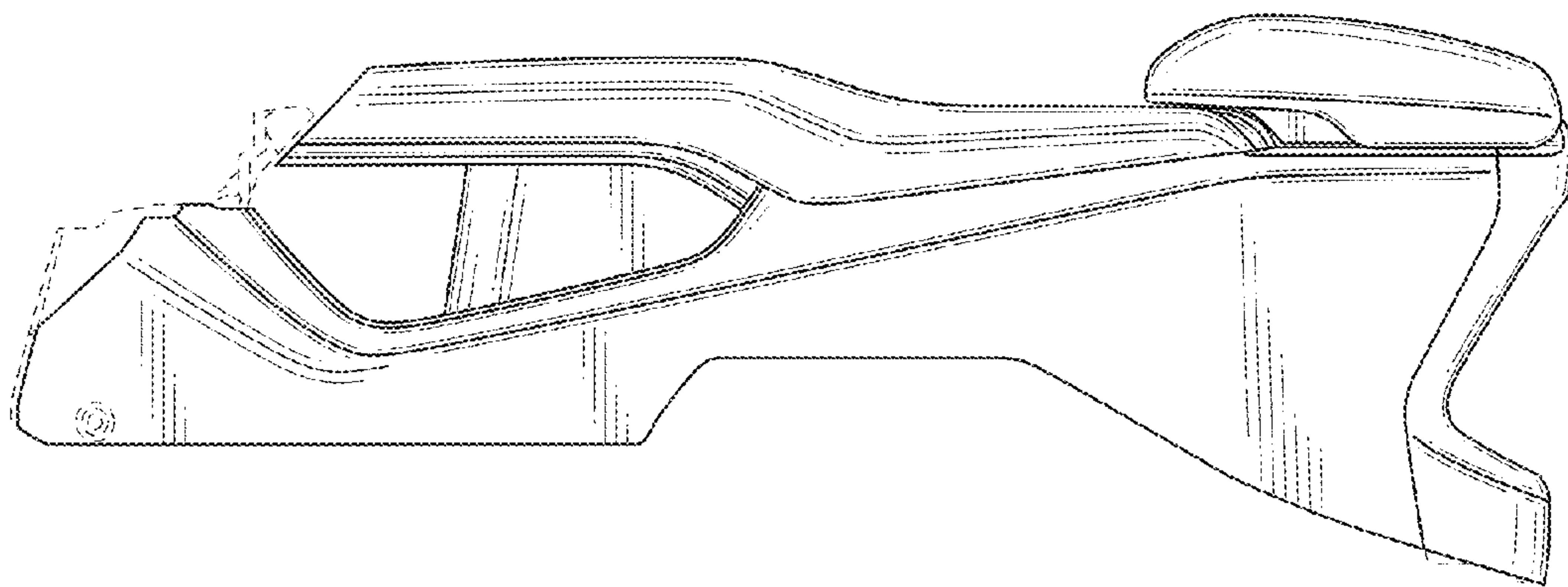


FIG. 4

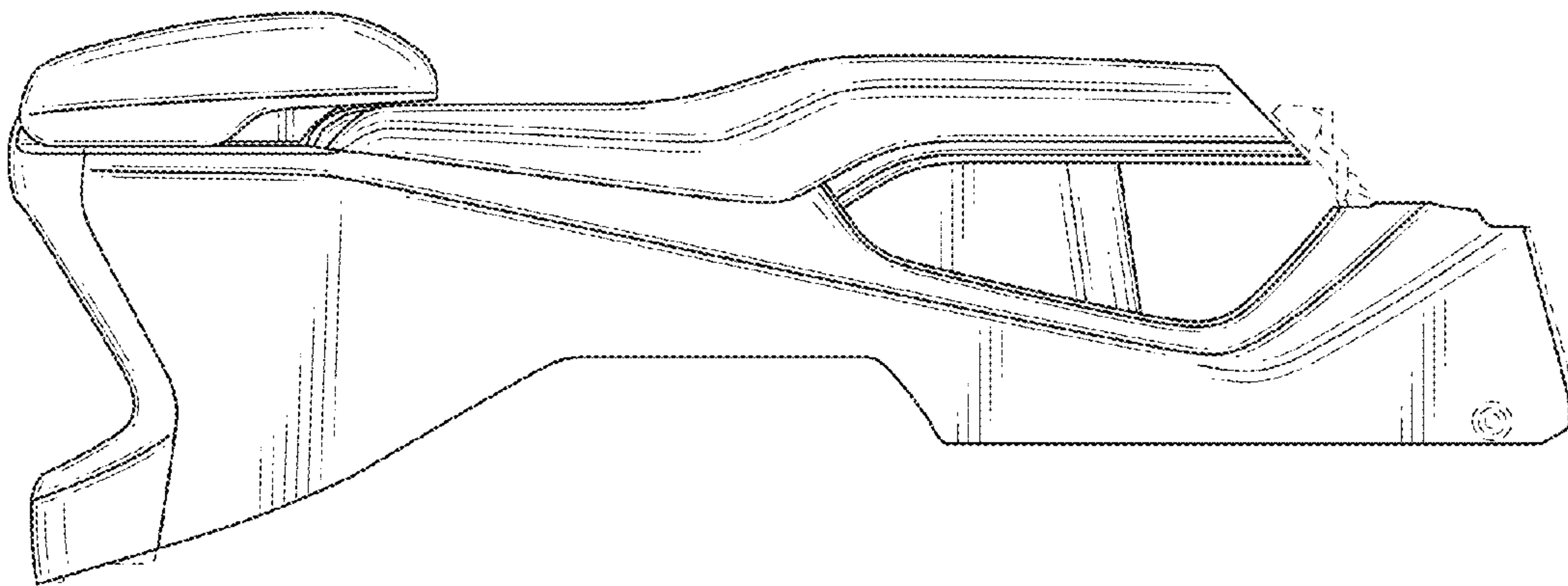


FIG. 5

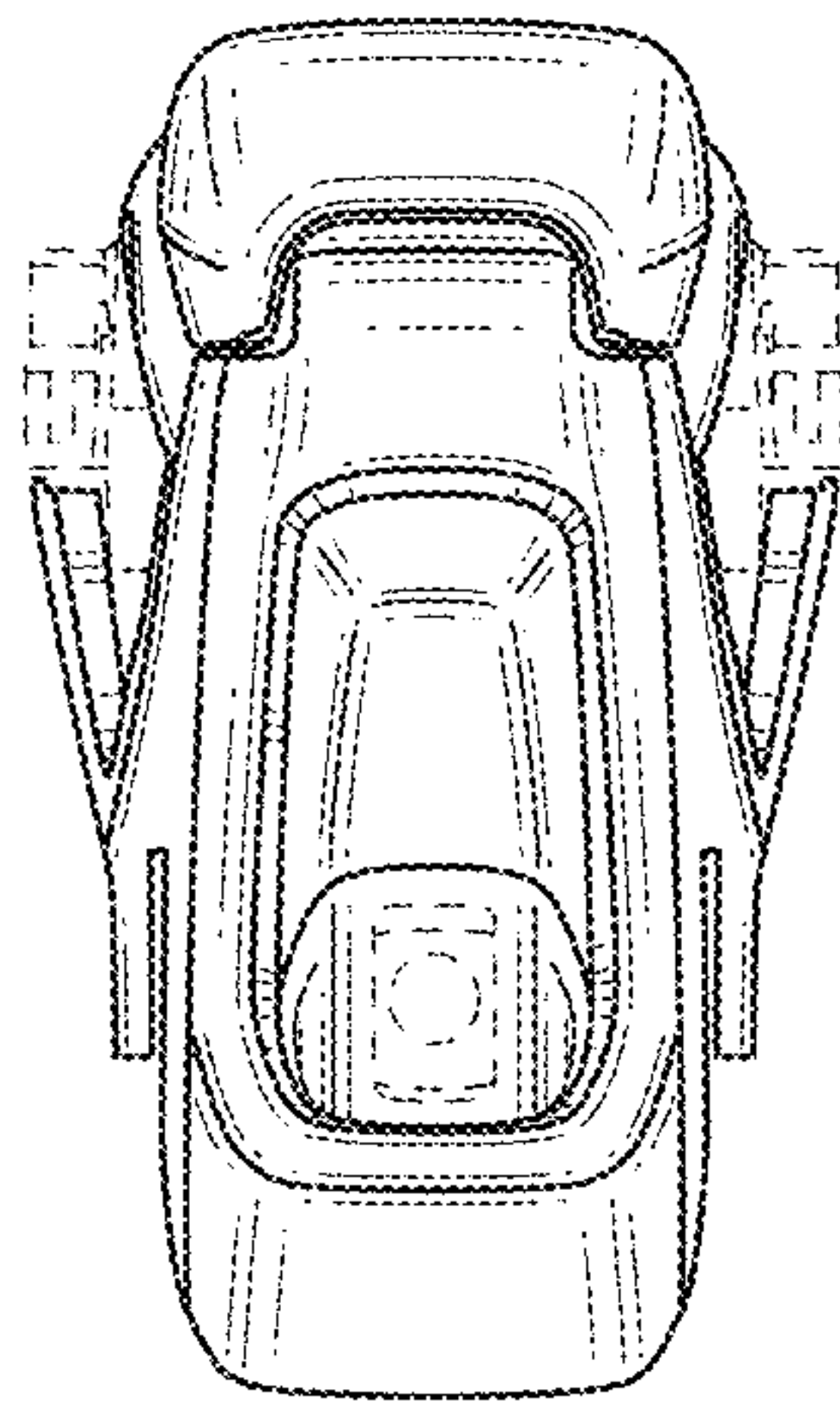


FIG. 6

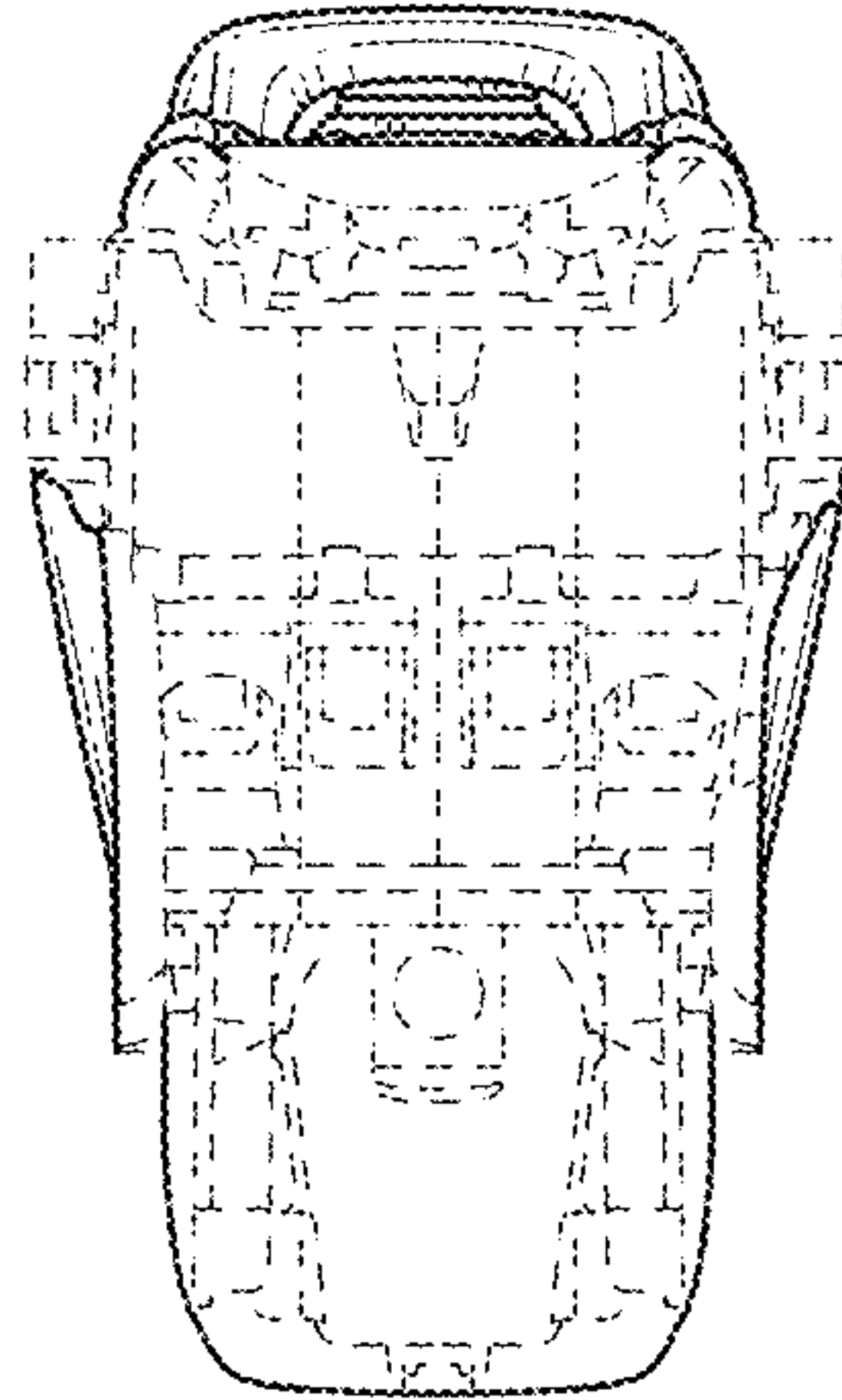


FIG. 7

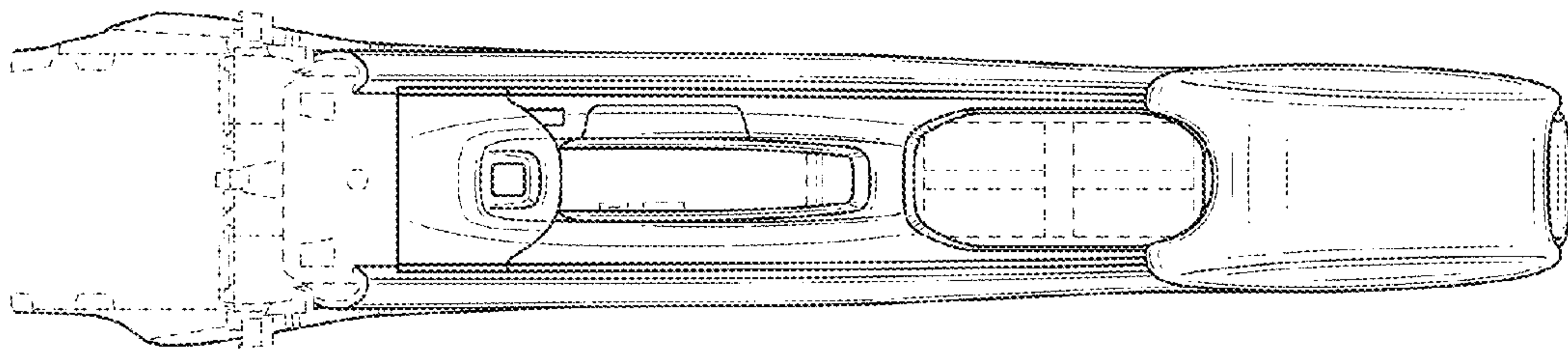


FIG. 8

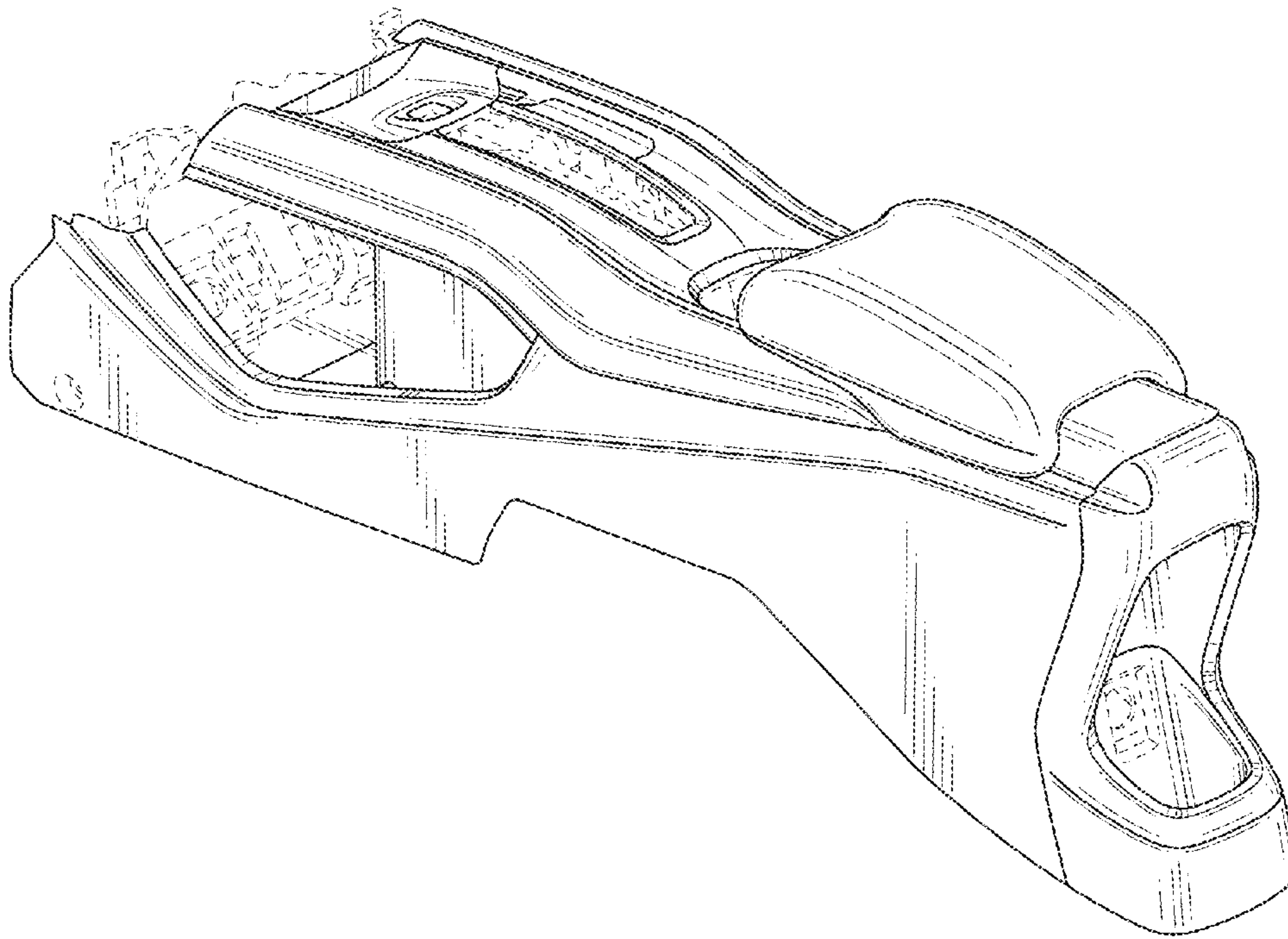


FIG. 9

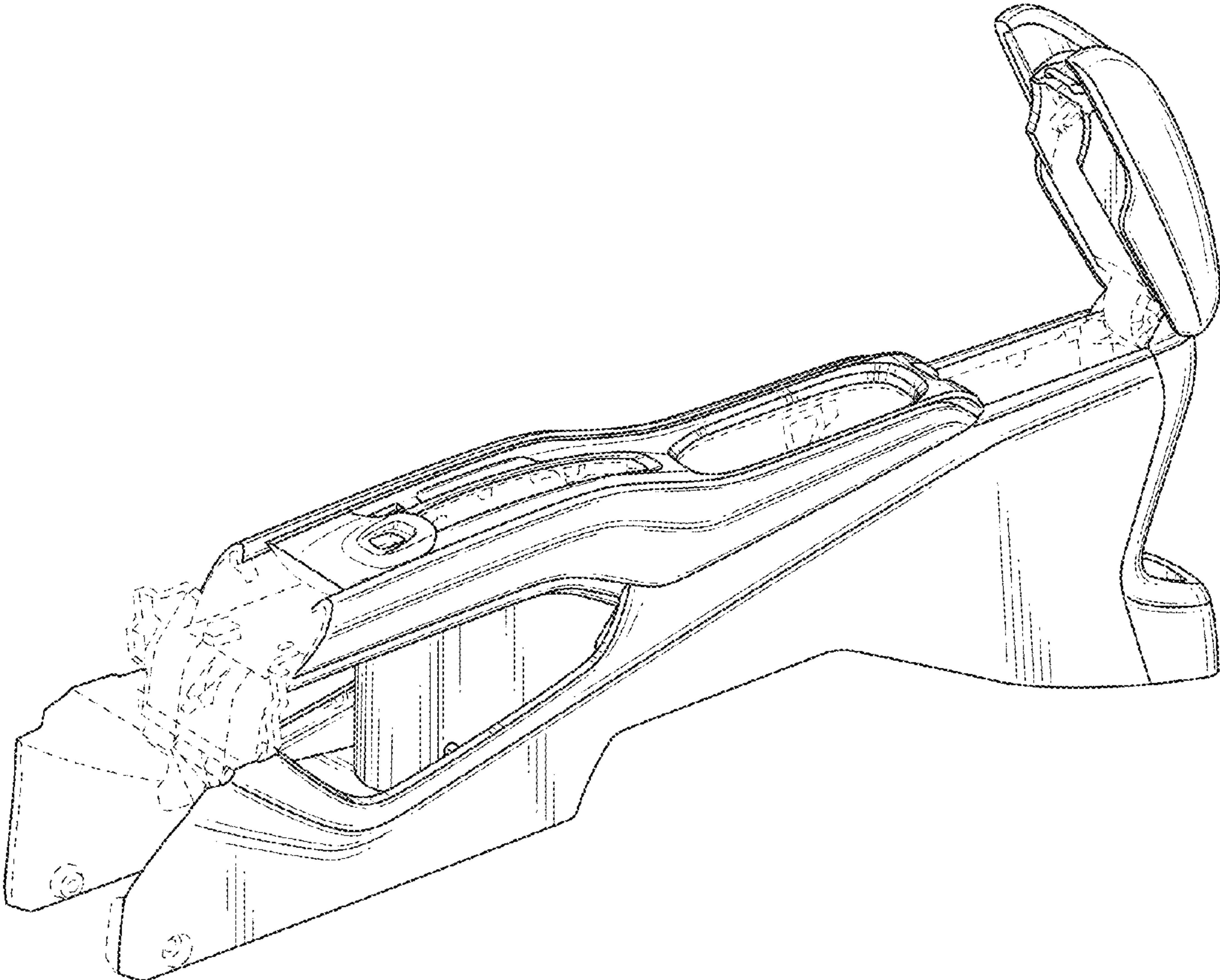


FIG. 10

