



US00D729143S

(12) **United States Design Patent**
Hagel

(10) **Patent No.:** **US D729,143 S**

(45) **Date of Patent:** **** May 12, 2015**

(54) **CONTAINER FOR WINDSHIELD LANE MARKERS**

(76) Inventor: **Jeffrey Hagel**, Murrieta, CA (US)

(**) Term: **14 Years**

(21) Appl. No.: **29/420,789**

(22) Filed: **May 13, 2012**

(51) **LOC (10) Cl.** **12-16**

(52) **U.S. Cl.**
USPC **D12/400; D6/407**

(58) **Field of Classification Search**
CPC B65D 81/05; B65D 81/07; B65D 81/107;
B65D 81/365; B65D 85/48; B65D 85/68;
B65D 88/12; B65D 88/22
USPC D12/89, 203, 314, 400; D28/36, 92;
280/5.3, 163, 164.2, 166, 169, 291;
D4/118, 119, 130, 131, 132; D6/552,
D6/559, 407, 632; D9/415, 420, 457, 501,
D9/503, 672, 675; D19/63

See application file for complete search history.

(56) **References Cited**

U.S. PATENT DOCUMENTS

3,834,036	A	9/1974	Scarritt, Sr.	
4,016,653	A	4/1977	Bartlett	
4,079,519	A	3/1978	Carmouche	
D312,440	S *	11/1990	Svensson	D12/182
D334,886	S *	4/1993	Cortelli et al.	D6/552
D351,342	S *	10/1994	Lee et al.	D9/415
D353,360	S *	12/1994	Melanson	D12/406
D364,353	S *	11/1995	Staib	D10/128
D443,572	S *	6/2001	Freeman	D12/182

6,688,007	B2	2/2004	Ferron	
6,886,692	B2 *	5/2005	Allison	206/448
D595,196	S *	6/2009	Woolley et al.	D12/182
D704,957	S *	5/2014	Dimitrakos	D6/559
D707,118	S *	6/2014	Au	D9/420
8,893,641	B1 *	11/2014	Hagel	116/28 R
2004/0007493	A1 *	1/2004	Morell et al.	206/521
2007/0221520	A1 *	9/2007	Lammerant	206/310

* cited by examiner

Primary Examiner — Deanna L Pratt

Assistant Examiner — Natasha Vujcic

(74) *Attorney, Agent, or Firm* — RG Patent Consulting LLC; Rachel Gilboy

(57) **CLAIM**

I claim the ornamental design for a container for windshield lane markers, as shown and described.

DESCRIPTION

FIG. 1 is a front, top and side perspective view of the container for windshield lane markers embodying the design of the present invention;

FIG. 2 is a top plan view of the container.

FIG. 3 is a rear plan view of the container;

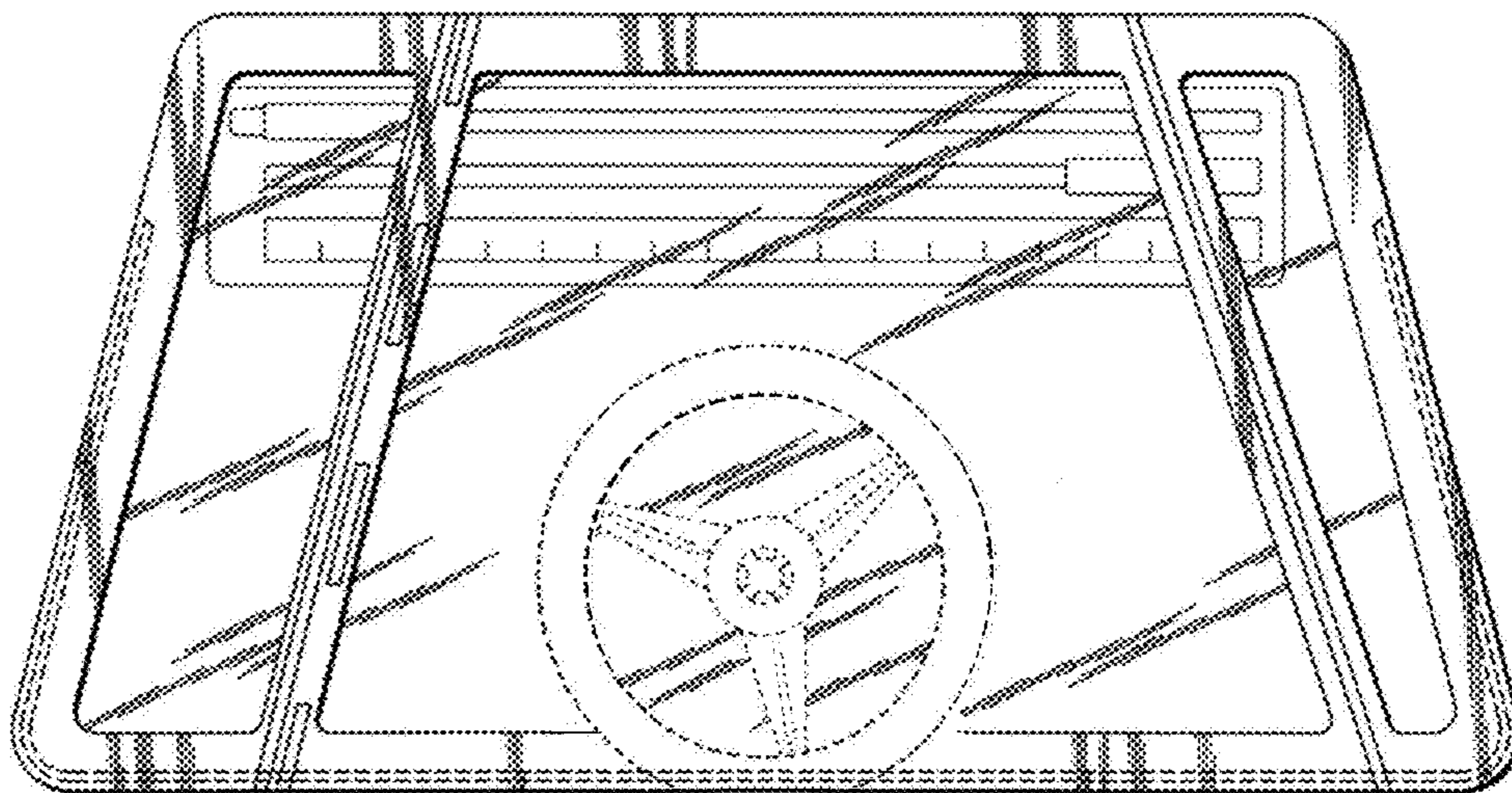
FIG. 4 is a side elevational view of the container.

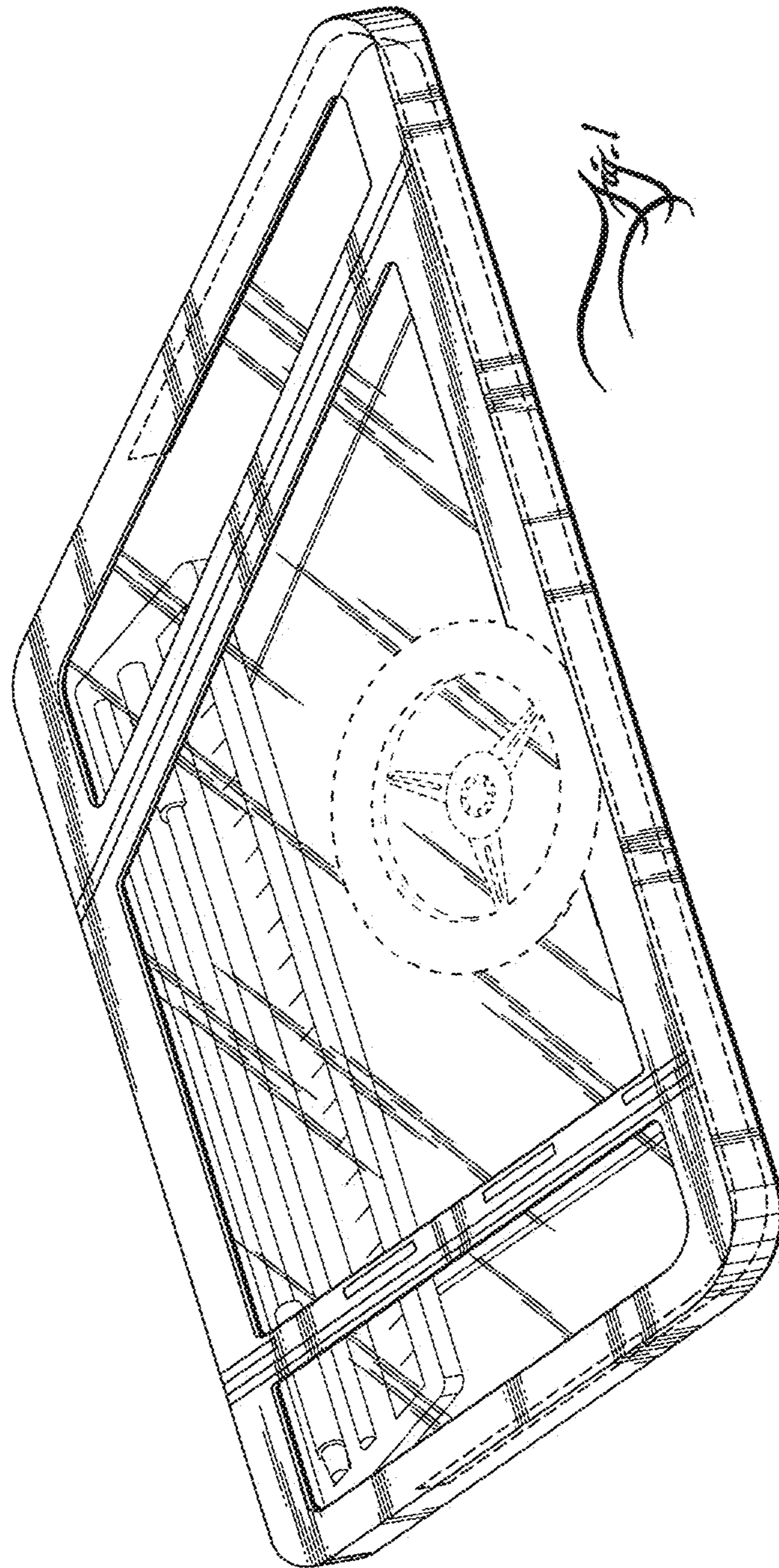
FIG. 5 is an end elevational view of the container, the opposite end being identical; and,

FIG. 6 is a side elevational view of the container.

The oblique line shading on the container for windshield lane markers is included to indicate that the portions on the container are transparent.

1 Claim, 4 Drawing Sheets





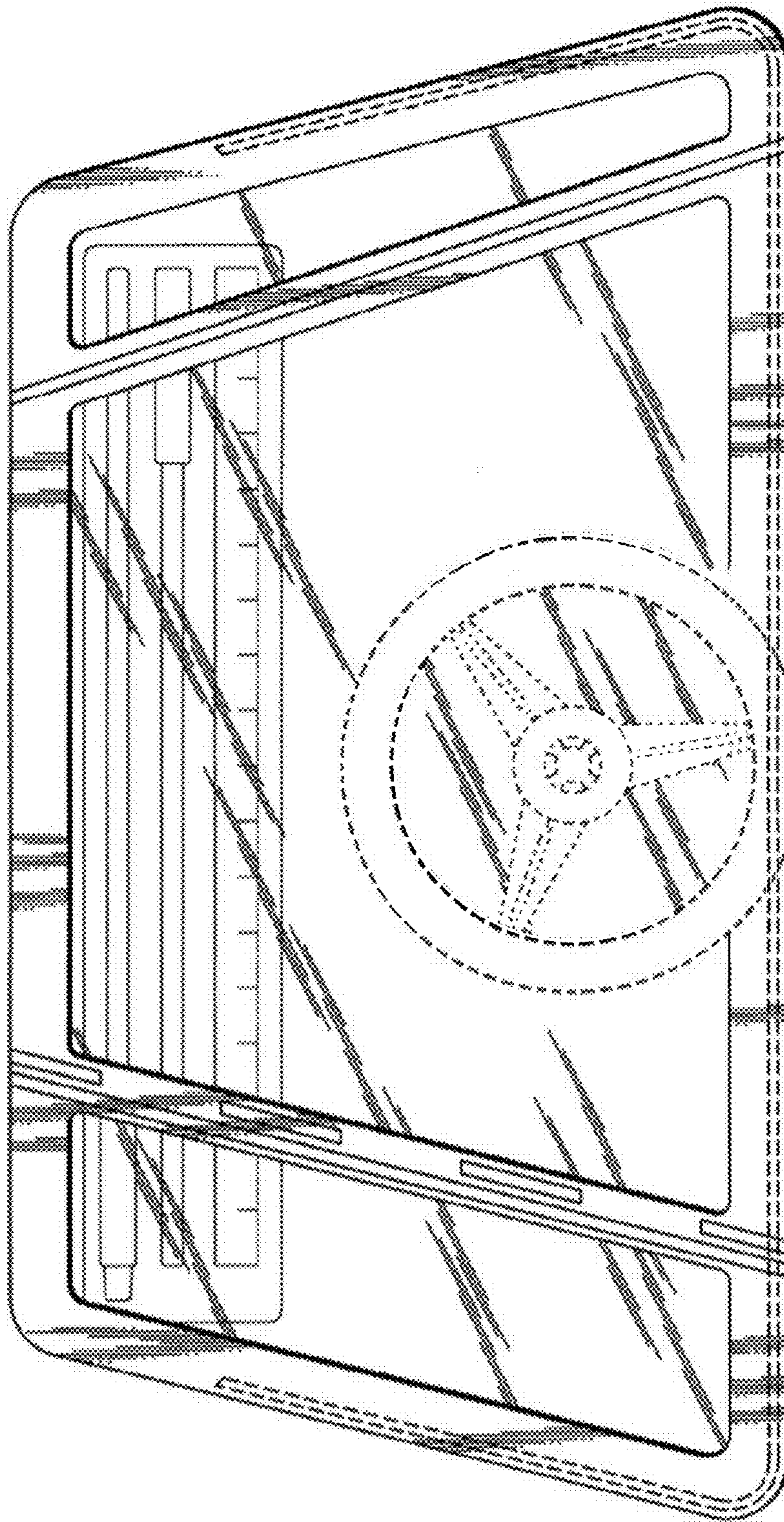


Fig. 2

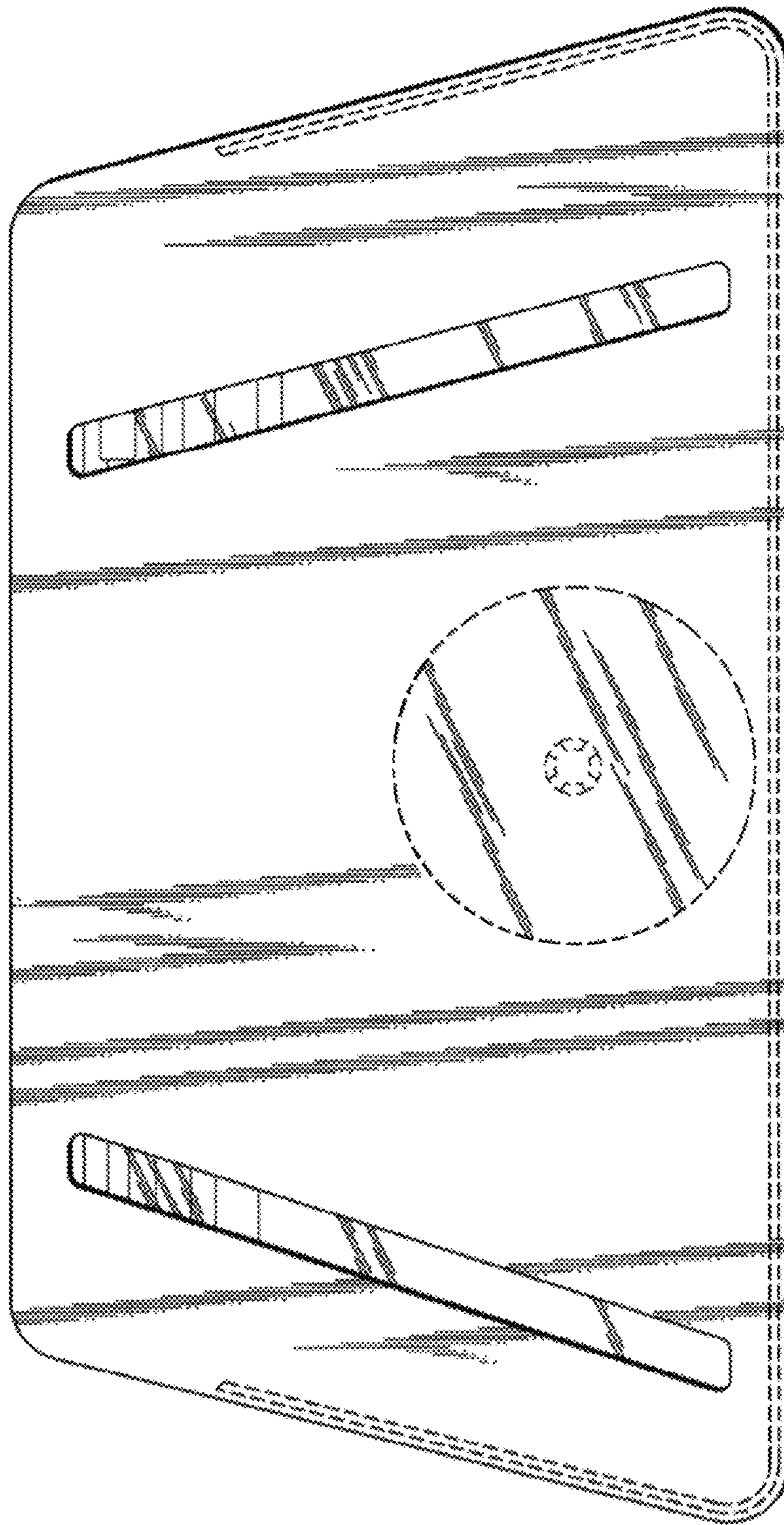


Fig. 3

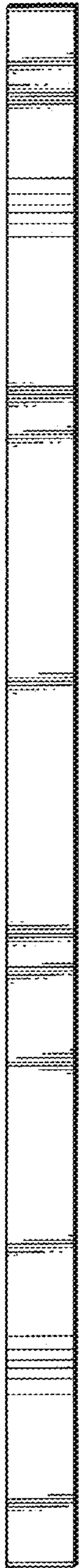


Fig. 4

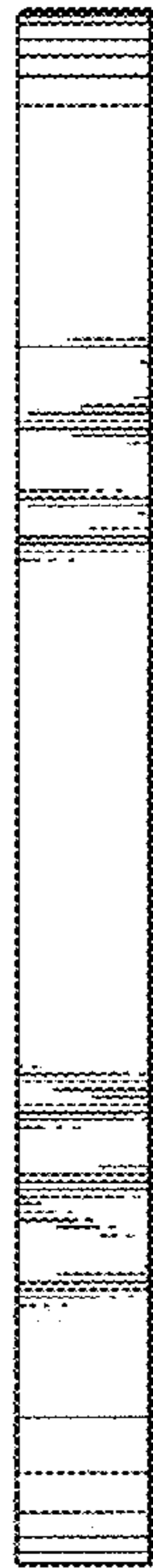


Fig. 5



Fig. 6