



US00D729140S

(12) **United States Design Patent**
Taylor

(10) **Patent No.:** **US D729,140 S**

(45) **Date of Patent:** **** May 12, 2015**

(54) **DOCK ANCHOR**

(71) Applicant: **Techstar Plastics Inc.**, Port Perry (CA)

(72) Inventor: **Garth William Taylor**, Port Perry (CA)

(73) Assignee: **Techstar Plastics Inc.**, Port Perry (CA)

(**) Term: **14 Years**

(21) Appl. No.: **29/482,724**

(22) Filed: **Feb. 21, 2014**

(51) **LOC (10) Cl.** **12-06**

(52) **U.S. Cl.**
USPC **D12/215**

(58) **Field of Classification Search**
CPC B63B 21/00; B63B 21/04; B63B 21/06;
B63B 21/24; B63B 21/26; B63B 21/29;
B63B 22/04
USPC D12/215, 317
See application file for complete search history.

(56) **References Cited**

U.S. PATENT DOCUMENTS

D185,326	S	*	5/1959	Spitz	D12/215
3,066,636	A	*	12/1962	Churchman et al.	114/300
3,158,127	A	*	11/1964	Gallaughier	114/300
4,028,899	A	*	6/1977	Carmichael, III	405/219
D256,578	S	*	8/1980	Oberg et al.	D12/215

4,493,283	A	*	1/1985	Elliott	114/263
D289,153	S	*	4/1987	Silberman	D12/215
4,729,331	A	*	3/1988	Eggleston	114/230.26
4,834,015	A	*	5/1989	Alpert	114/294
5,290,195	A	*	3/1994	Prickett	441/75
5,518,431	A	*	5/1996	Staley	441/130
5,819,681	A	*	10/1998	Barnes et al.	114/294
D407,058	S	*	3/1999	Moldenhauer	D12/215
6,508,682	B1	*	1/2003	Clark	441/40
2007/0283868	A1	*	12/2007	Hagan	114/230.1
2013/0333606	A1	*	12/2013	Dykstra et al.	114/230.2

* cited by examiner

Primary Examiner — Martie K Holtje

(74) *Attorney, Agent, or Firm* — McMillan LLP

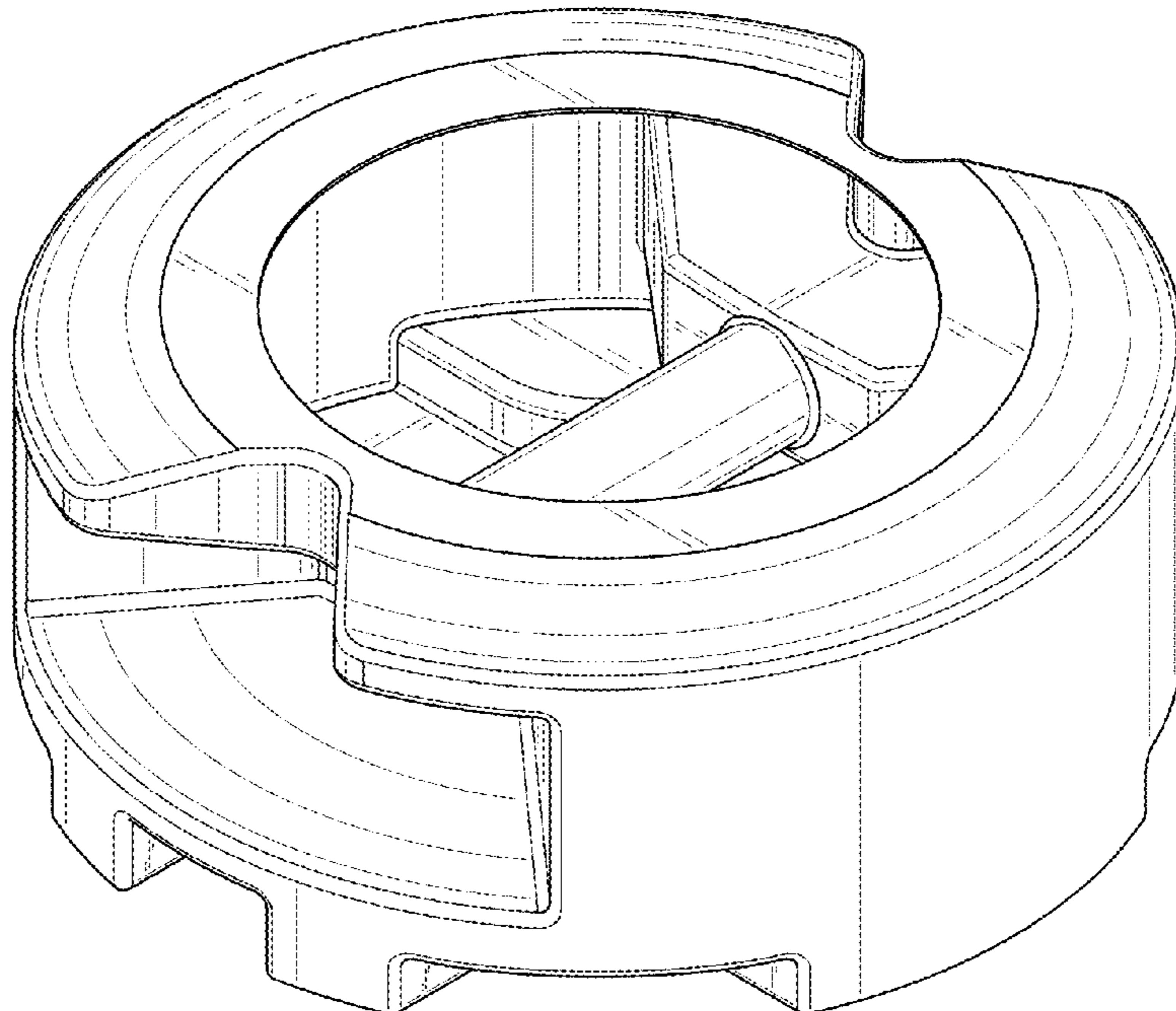
(57) **CLAIM**

The ornamental design for a dock anchor, as shown and described.

DESCRIPTION

FIG. 1 is a top, right front perspective view of a dock anchor showing my new design;
FIG. 2 is a front elevational view thereof;
FIG. 3 is a rear elevational view thereof;
FIG. 4 is a left side elevational view thereof;
FIG. 5 is a right side elevational view thereof;
FIG. 6 is a top plan view thereof; and,
FIG. 7 is a bottom plan view thereof.

1 Claim, 5 Drawing Sheets



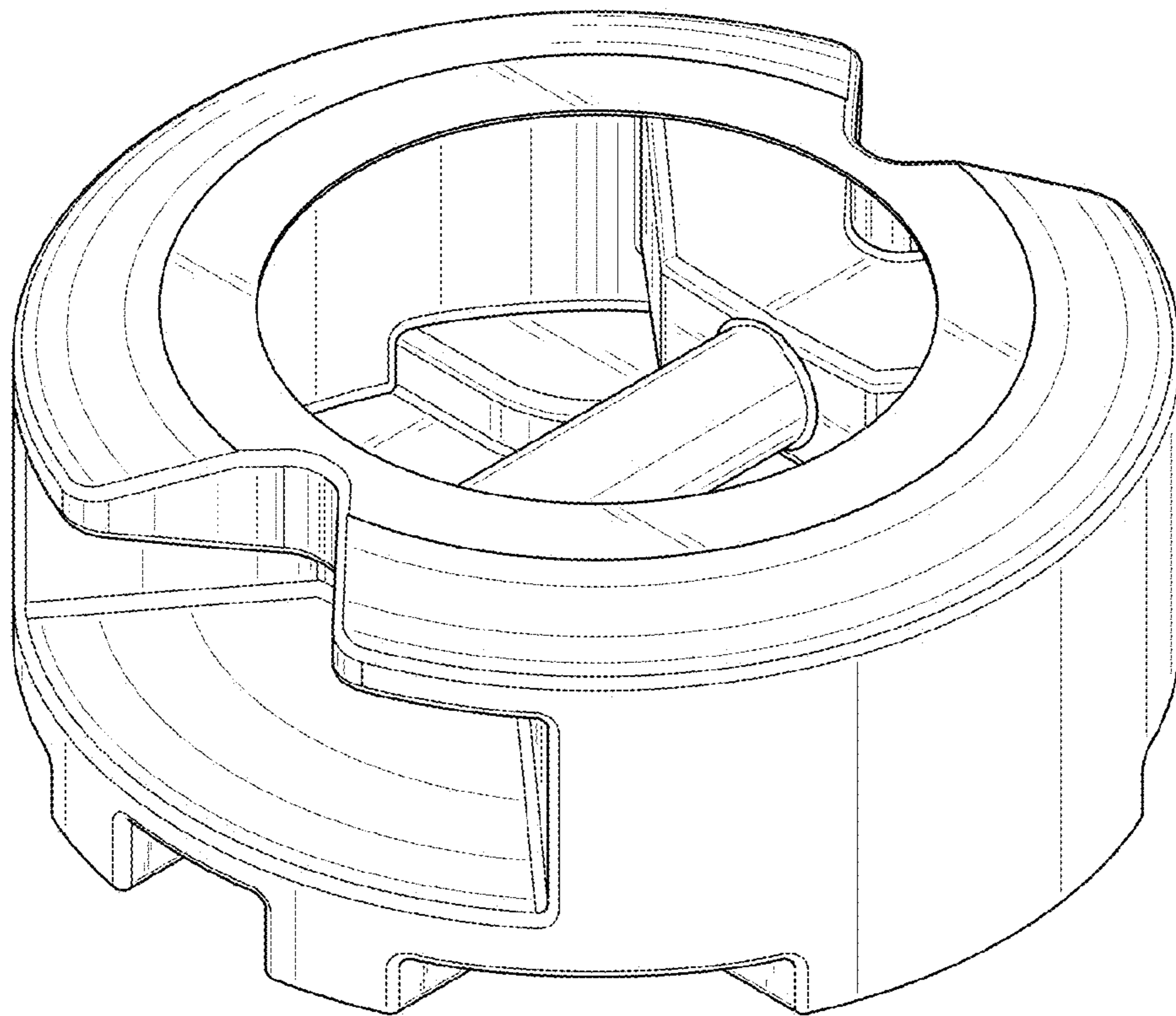


FIG. 1

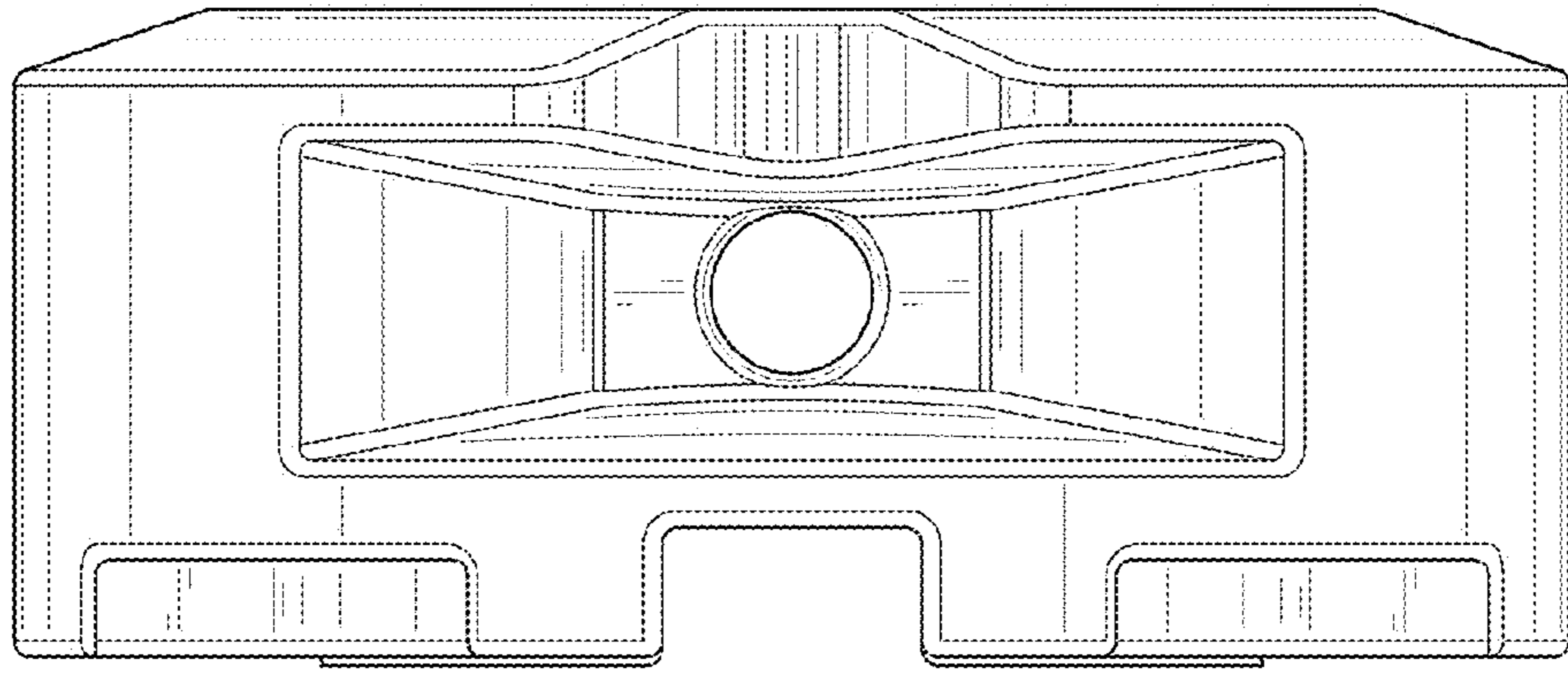


FIG. 2

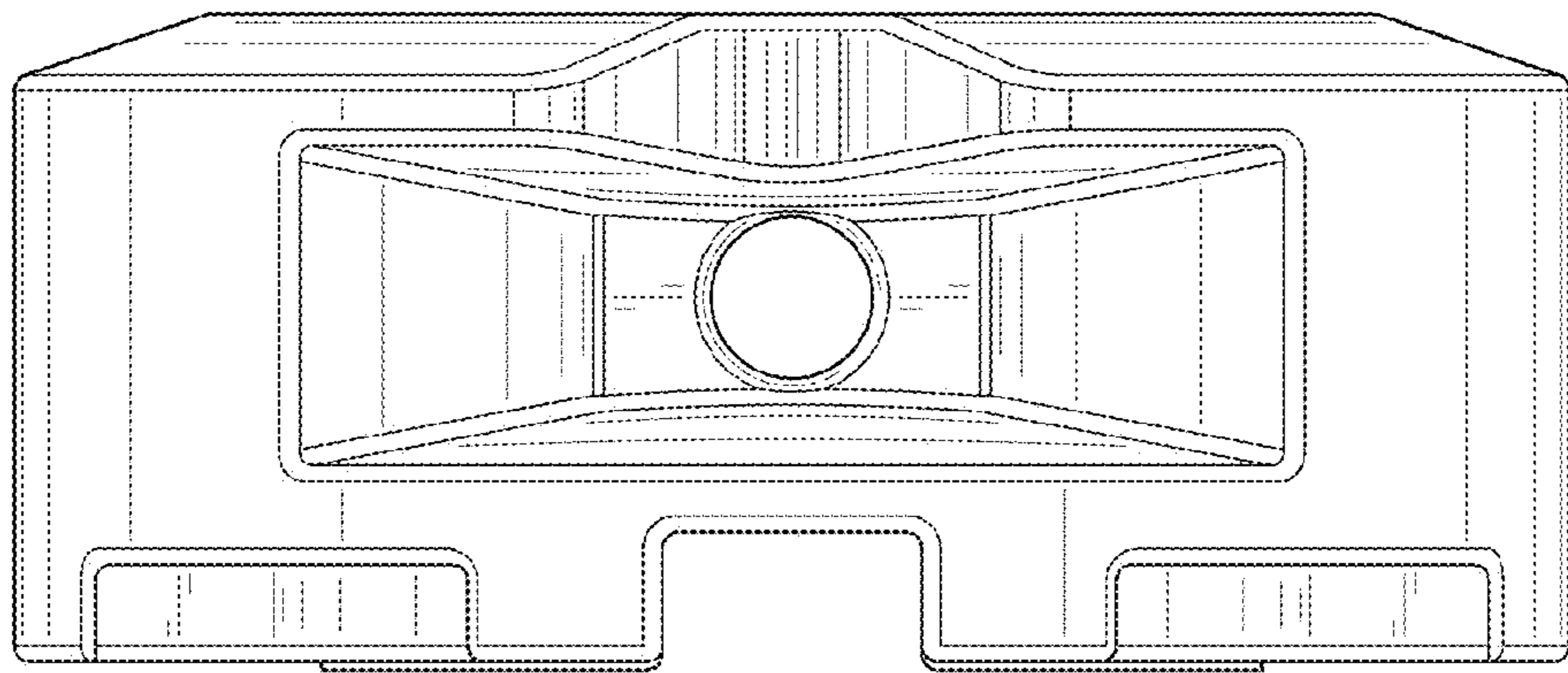


FIG. 3

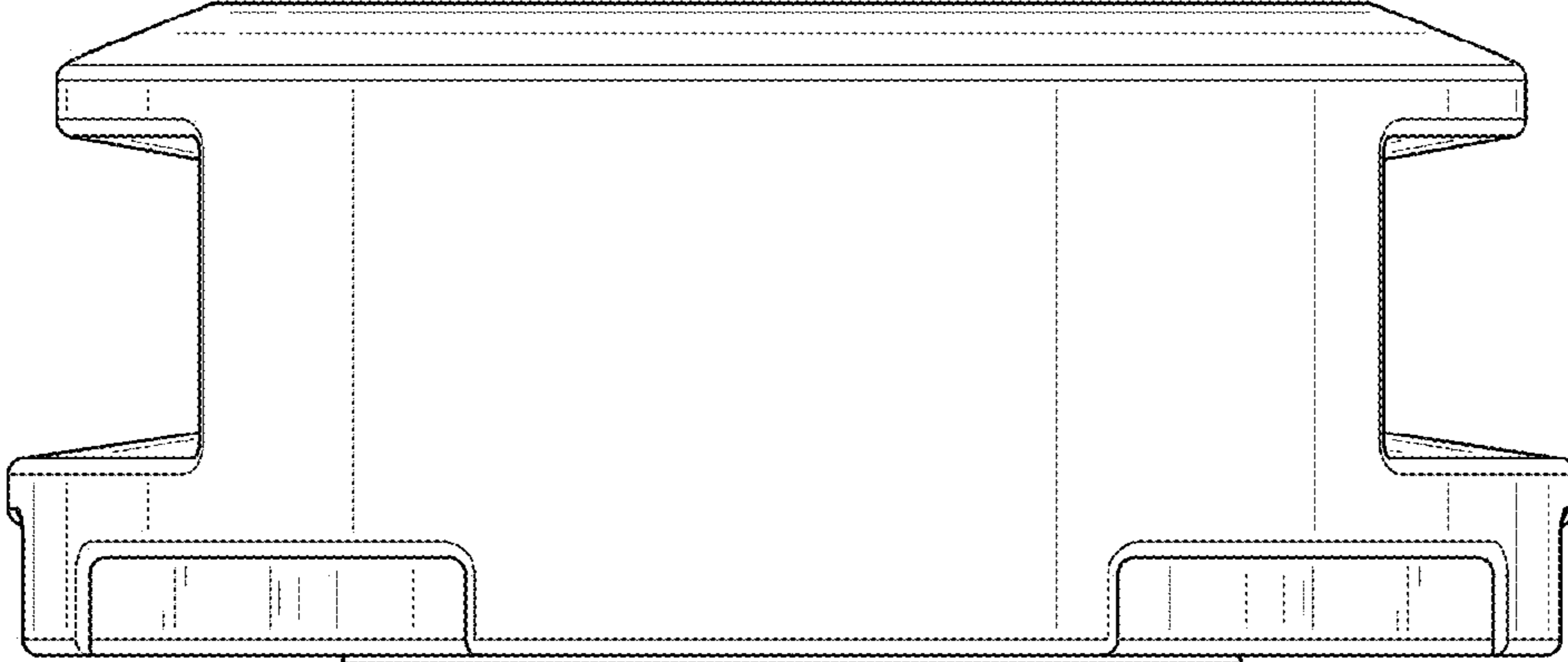


FIG. 4

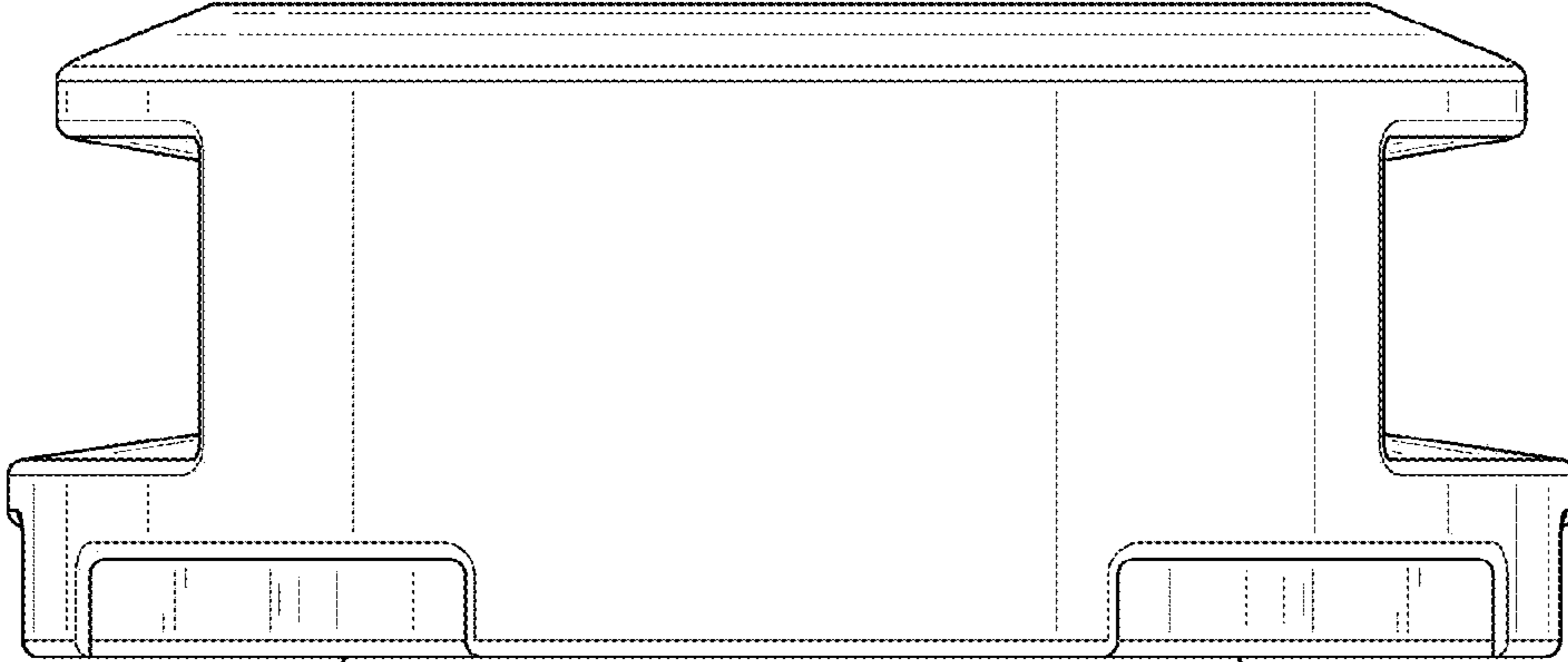


FIG. 5

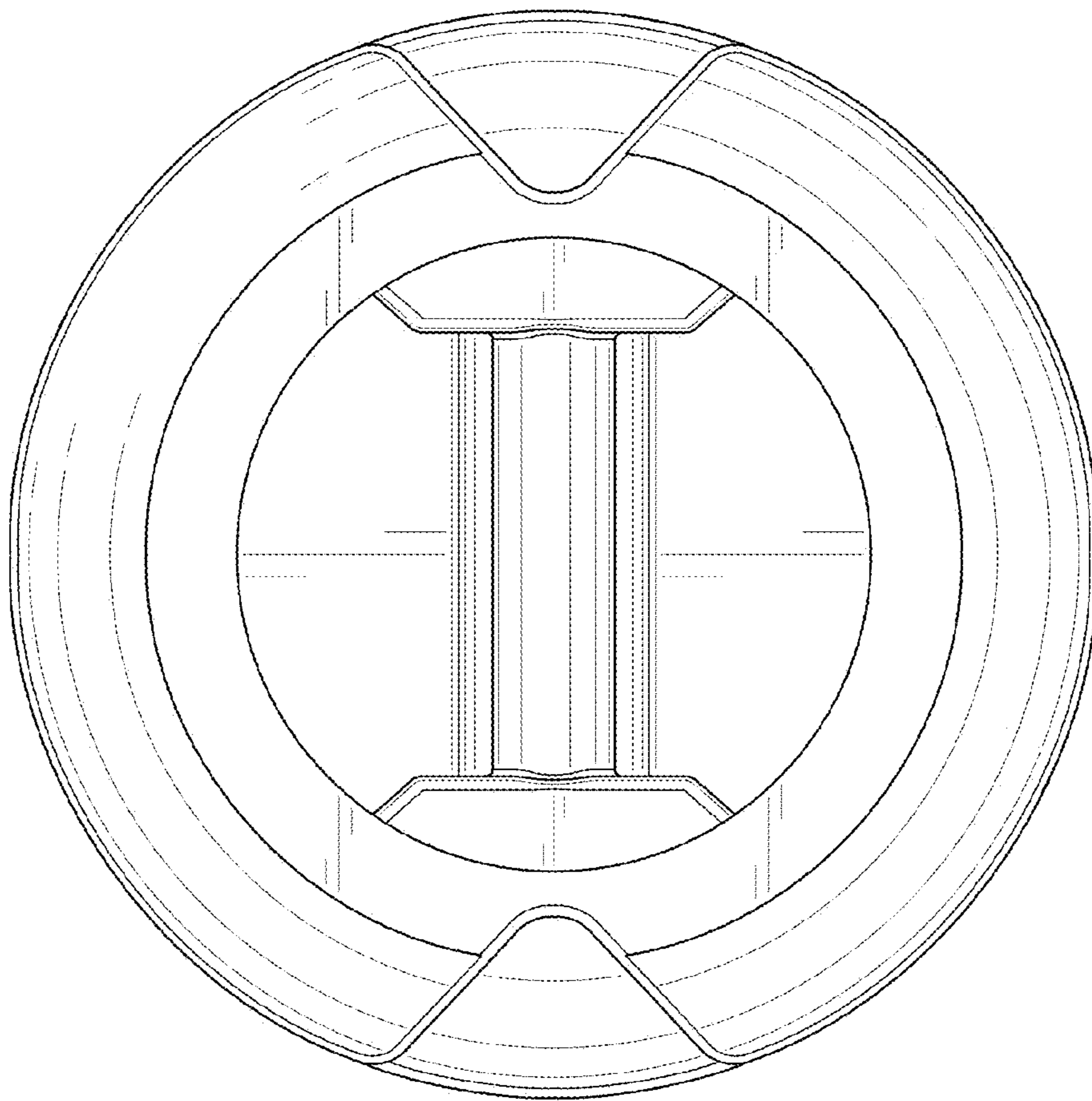


FIG. 6

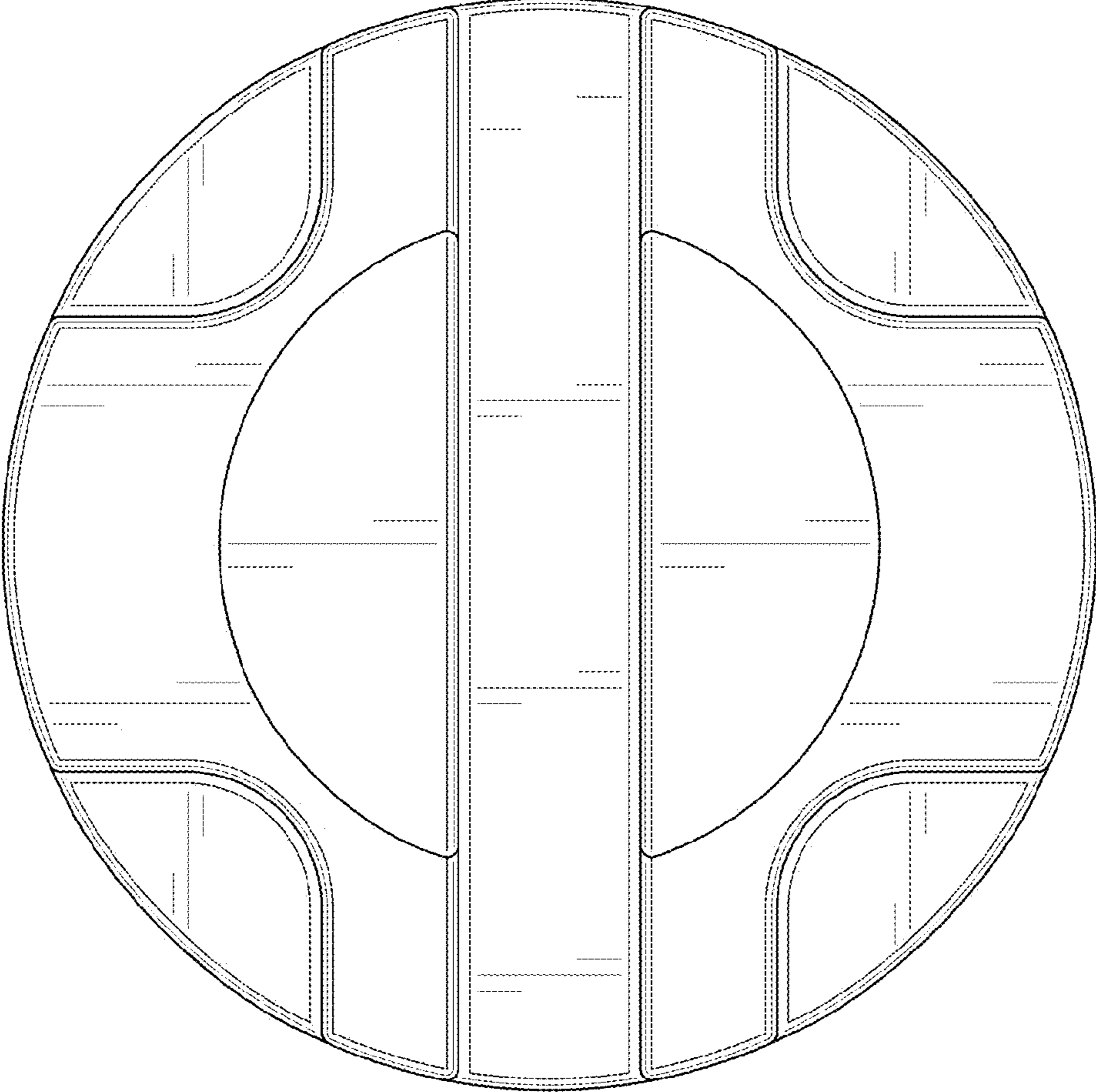


FIG. 7