



US00D729139S

(12) **United States Design Patent**
Mielke et al.

(10) **Patent No.:** **US D729,139 S**
(45) **Date of Patent:** **** May 12, 2015**

(54) **VEHICLE WHEEL**

(71) Applicant: **Bayerische Motoren Werke**
Aktiengesellschaft, Munich (DE)

(72) Inventors: **Gerrit Roland Udo Mielke, Munich**
(DE); Marcus Wiedemann, Munich
(DE)

(73) Assignee: **Bayerische Motoren Werke**
Aktiengesellschaft, Munich (DE)

(**) Term: **14 Years**

(21) Appl. No.: **29/499,742**

(22) Filed: **Aug. 19, 2014**

(30) **Foreign Application Priority Data**

Feb. 20, 2014 (DE) 40 2014 100 170

(51) **LOC (10) Cl.** **12-16**

(52) **U.S. Cl.**
USPC **D12/211**

(58) **Field of Classification Search**
CPC B60B 7/00; B60B 7/02; B60B 7/04;
B60B 7/01; B60B 7/06; B60B 3/02; B60B
3/04; B60B 3/06; B60B 3/10; B60B 1/00;
B60B 1/08; B60B 1/10; B60B 1/12
USPC D12/204–213
See application file for complete search history.

(56) **References Cited**

U.S. PATENT DOCUMENTS

| | | | | | |
|------------|---|---------|--------------|-------|---------|
| D402,951 S | * | 12/1998 | Wechner | | D12/211 |
| D479,178 S | * | 9/2003 | Lai | | D12/211 |
| D499,686 S | * | 12/2004 | Song | | D12/211 |
| D516,489 S | * | 3/2006 | Alonso | | D12/211 |
| D541,203 S | * | 4/2007 | Sulahian | | D12/211 |
| D567,738 S | * | 4/2008 | Habib et al. | | D12/211 |
| D578,053 S | * | 10/2008 | Neeper | | D12/211 |

| | | | | | |
|------------|---|---------|-----------------|-------|---------|
| D597,015 S | * | 7/2009 | Juergens et al. | | D12/211 |
| D598,357 S | * | 8/2009 | Chung | | D12/211 |
| D619,952 S | * | 7/2010 | Juergens et al. | | D12/211 |
| D622,649 S | * | 8/2010 | Weil | | D12/209 |
| D628,136 S | * | 11/2010 | Leclercq | | D12/211 |
| D632,240 S | * | 2/2011 | Szews | | |
| D639,224 S | * | 6/2011 | Szews | | D12/211 |
| D639,227 S | * | 6/2011 | Leclercq | | D12/211 |
| D658,107 S | * | 4/2012 | Pollmann et al. | | D12/211 |
| D660,769 S | * | 5/2012 | Pollmann | | |
| D666,953 S | * | 9/2012 | Pollmann | | D12/209 |
| D671,476 S | * | 11/2012 | Pinel | | D12/209 |
| D671,480 S | * | 11/2012 | Cepkova | | D12/209 |
| D671,481 S | * | 11/2012 | Amezketta | | D12/211 |
| D681,540 S | * | 5/2013 | Zhao | | D12/211 |
| D683,681 S | * | 6/2013 | Juergens et al. | | |
| D702,613 S | * | 4/2014 | Scheinhutte | | D12/211 |

FOREIGN PATENT DOCUMENTS

| | | |
|----|----------------|--------|
| EM | 001693599-0002 | 6/2011 |
| EM | 001772922-0015 | 8/2012 |
| EM | 001846346-0005 | 8/2012 |

(Continued)

Primary Examiner — Stacia Cadmus

(74) *Attorney, Agent, or Firm* — Crowell & Moring LLP

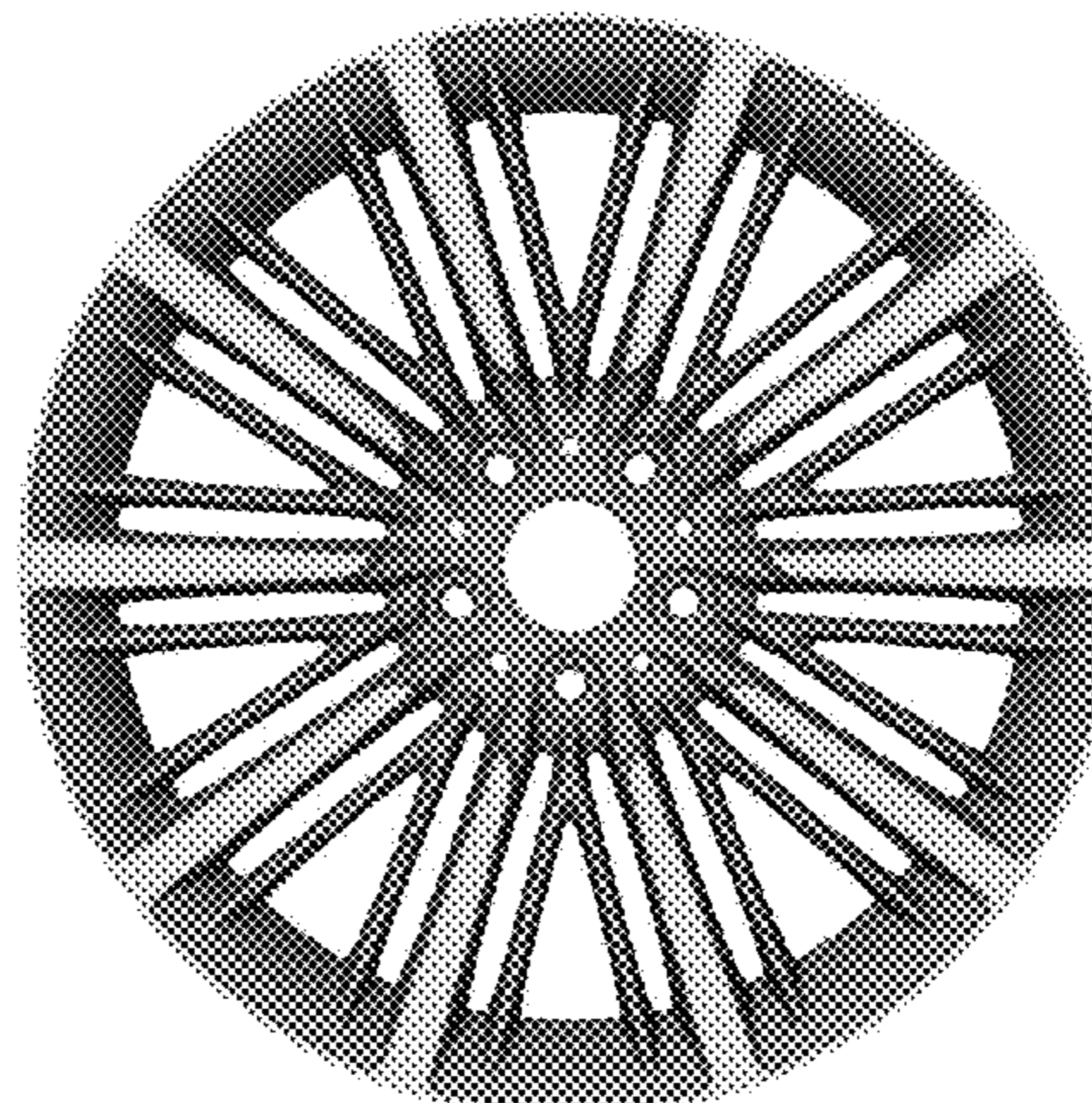
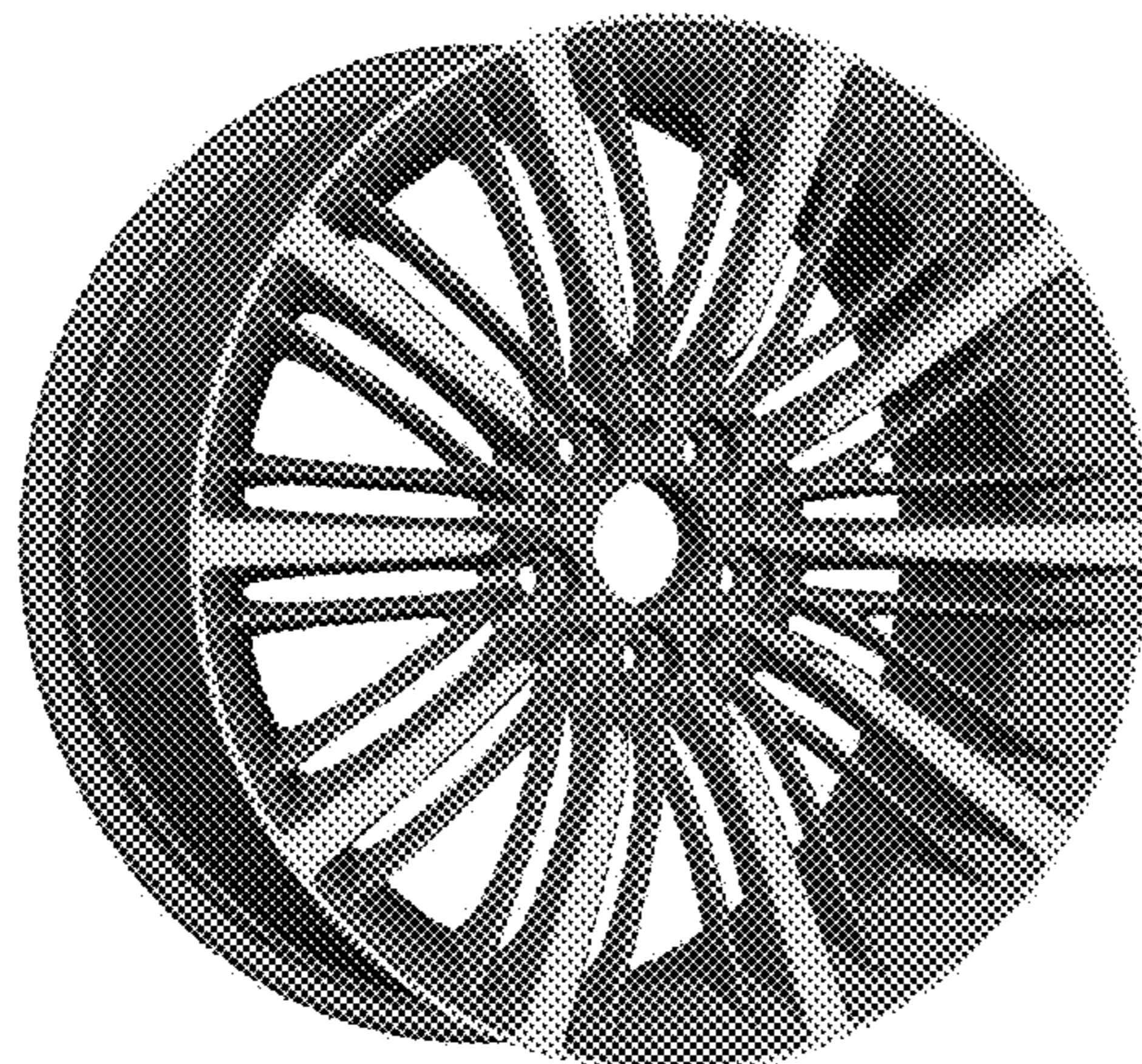
(57) **CLAIM**

The ornamental design for a vehicle wheel, as shown and described.

DESCRIPTION

FIG. 1 is a perspective view of a vehicle wheel according to the design;
FIG. 2 is an additional perspective view thereof;
FIG. 3 is an additional perspective view thereof;
FIG. 4 is a front view thereof;
FIG. 5 is a rear view thereof in a lighter gray scale, representing environmental features that form no part of the claimed design; and,
FIG. 6 is a side view thereof.

1 Claim, 6 Drawing Sheets



(56)

References Cited

| | | |
|----|----------------|--------|
| EM | 002015602-0002 | 8/2013 |
| EM | 001908807-0001 | 9/2013 |
| EM | 002016113-0019 | 9/2013 |

FOREIGN PATENT DOCUMENTS

| | | |
|----|----------------|--------|
| EM | 002015602-0001 | 8/2013 |
|----|----------------|--------|

* cited by examiner



Fig. 1



Fig. 2



Fig. 3



Fig. 4

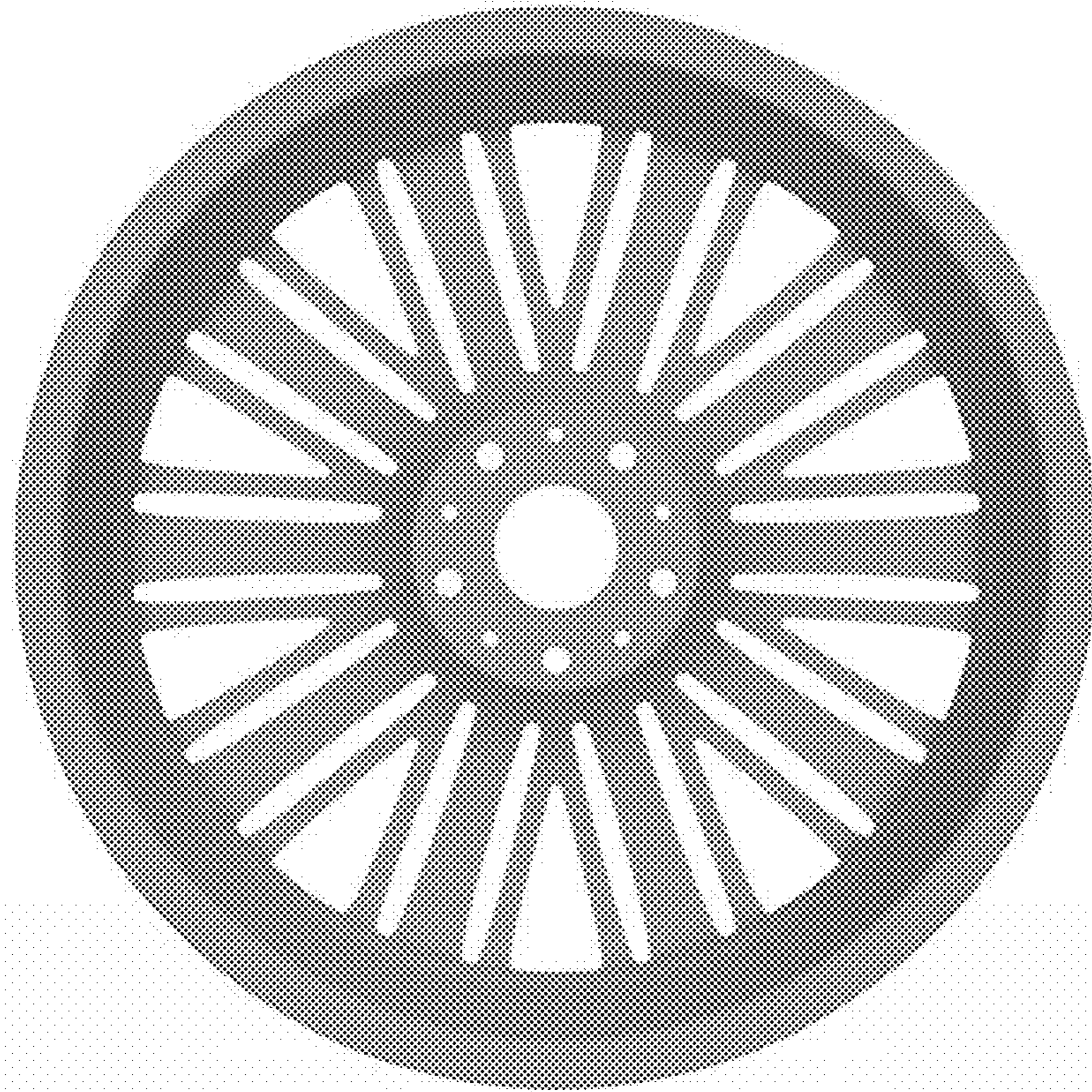


Fig. 5

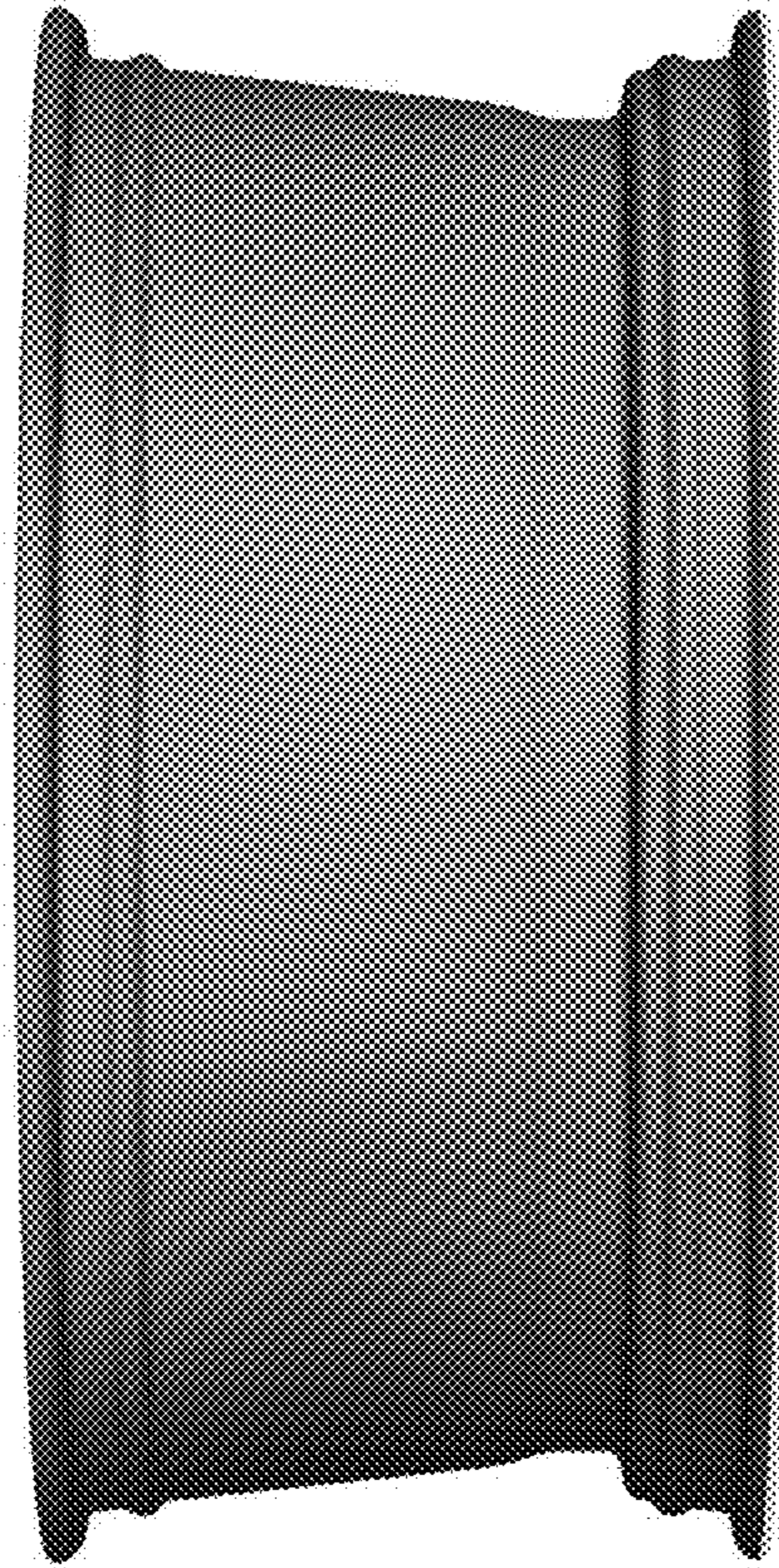


Fig. 6