



US00D729138S

(12) **United States Design Patent**
Davidson et al.

(10) **Patent No.:** **US D729,138 S**

(45) **Date of Patent:** **** May 12, 2015**

(54) **WHEEL**

(71) Applicants: **Benjamin R. Davidson**, Torrance, CA
(US); **Ken Sahara**, Tokyo (JP)

(72) Inventors: **Benjamin R. Davidson**, Torrance, CA
(US); **Ken Sahara**, Tokyo (JP)

(73) Assignee: **Honda Motor Co., Ltd.**, Tokyo (JP)

(**) Term: **14 Years**

(21) Appl. No.: **29/509,691**

(22) Filed: **Nov. 20, 2014**

(51) **LOC (10) Cl.** **12-16**

(52) **U.S. Cl.**
USPC **D12/209**

(58) **Field of Classification Search**
CPC B60B 7/00; B60B 7/02; B60B 7/04;
B60B 7/01; B60B 7/06; B60B 3/02; B60B
3/04; B60B 3/06; B60B 3/10; B60B 1/00;
B60B 1/08; B60B 1/10; B60B 1/12
USPC D12/204-213
See application file for complete search history.

(56) **References Cited**

U.S. PATENT DOCUMENTS

D311,896 S * 11/1990 Mori D12/209
D397,664 S * 9/1998 Kulla D12/209
D590,322 S * 4/2009 Rak D12/211

D655,657 S * 3/2012 Juergens et al. D12/209
D666,958 S * 9/2012 Suzuki D12/211
D686,132 S * 7/2013 Truebsbach D12/209
D686,134 S * 7/2013 Amezketta D12/211
D691,081 S * 10/2013 Watkin D12/211
D695,186 S * 12/2013 Pollmann D12/209
D708,110 S * 7/2014 Borkert et al. D12/211
D710,286 S * 8/2014 Yamaguchi D12/209

* cited by examiner

Primary Examiner — Stacia Cadmus

(74) *Attorney, Agent, or Firm* — Pearne & Gordon LLP

(57) **CLAIM**

The ornamental design for a wheel, as shown and described.

DESCRIPTION

FIG. 1 is a perspective view of a wheel, showing our new design;

FIG. 2 is a front view thereof;

FIG. 3 is a right view thereof;

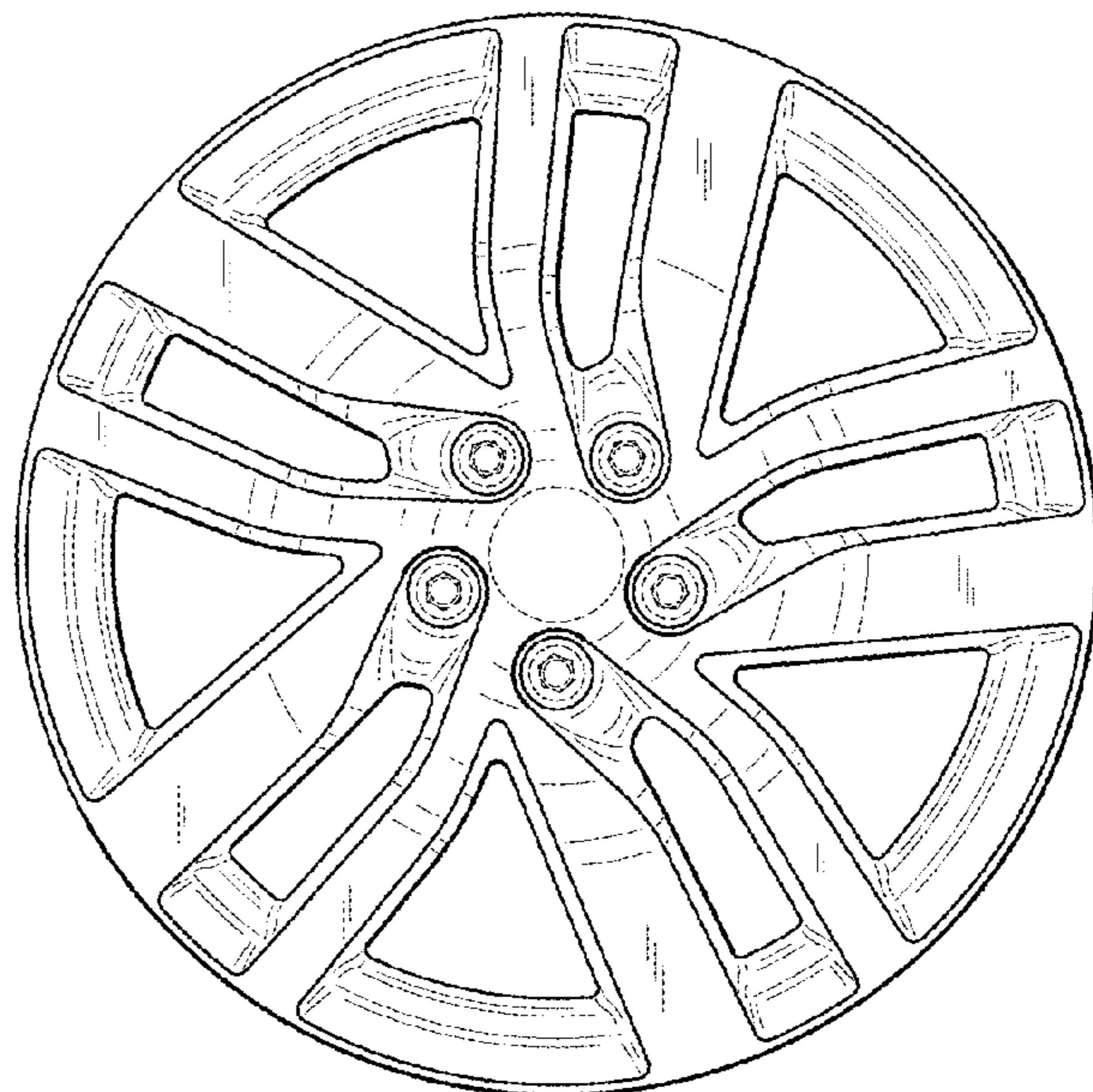
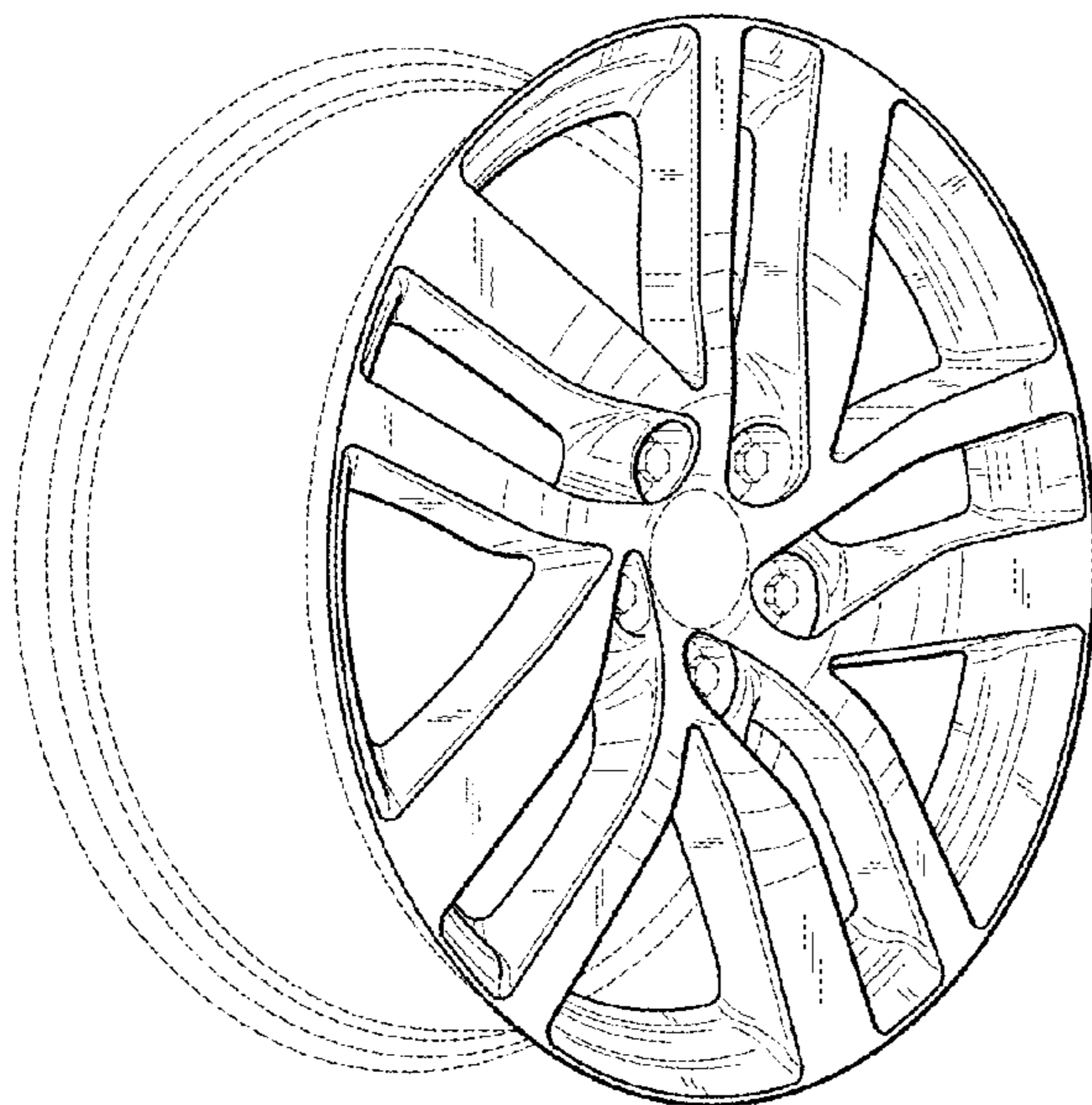
FIG. 4 is a top view thereof;

FIG. 5 is a left view thereof; and,

FIG. 6 is a bottom view thereof.

The portions of the wheel shown in broken lines are provided for illustrative purposes only and form no part of the claimed design.

1 Claim, 2 Drawing Sheets



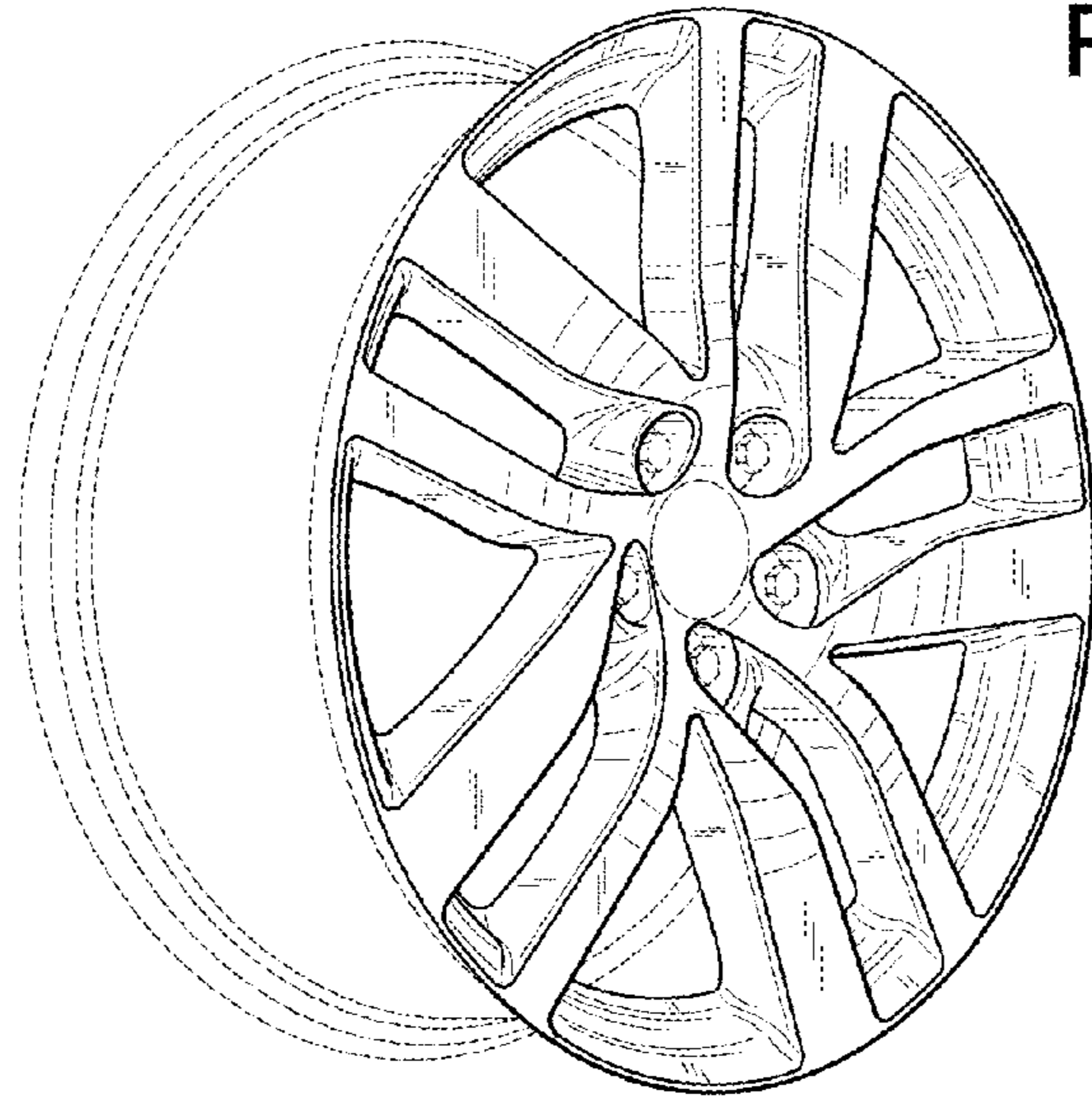


FIG. 1

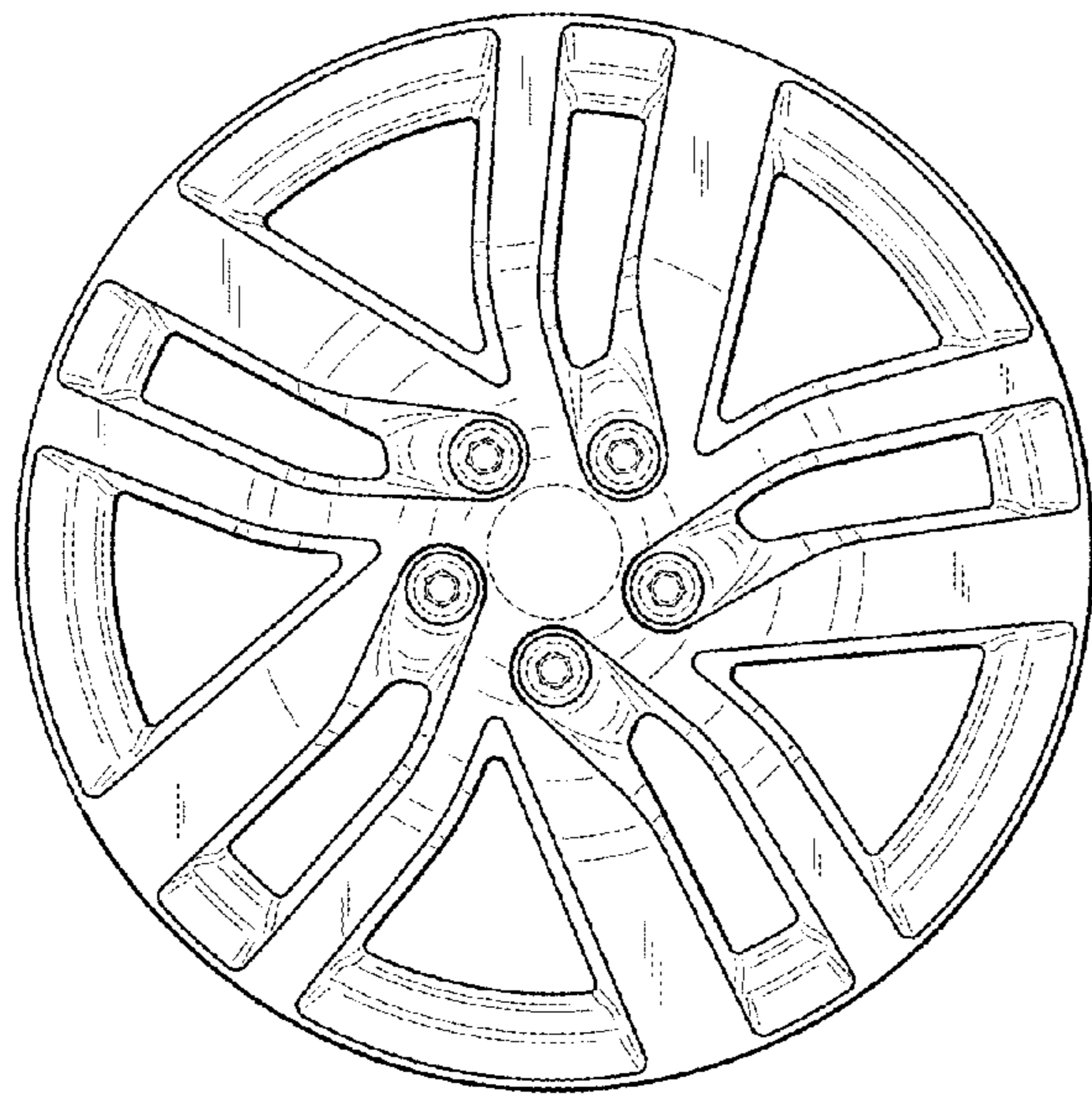


FIG. 2

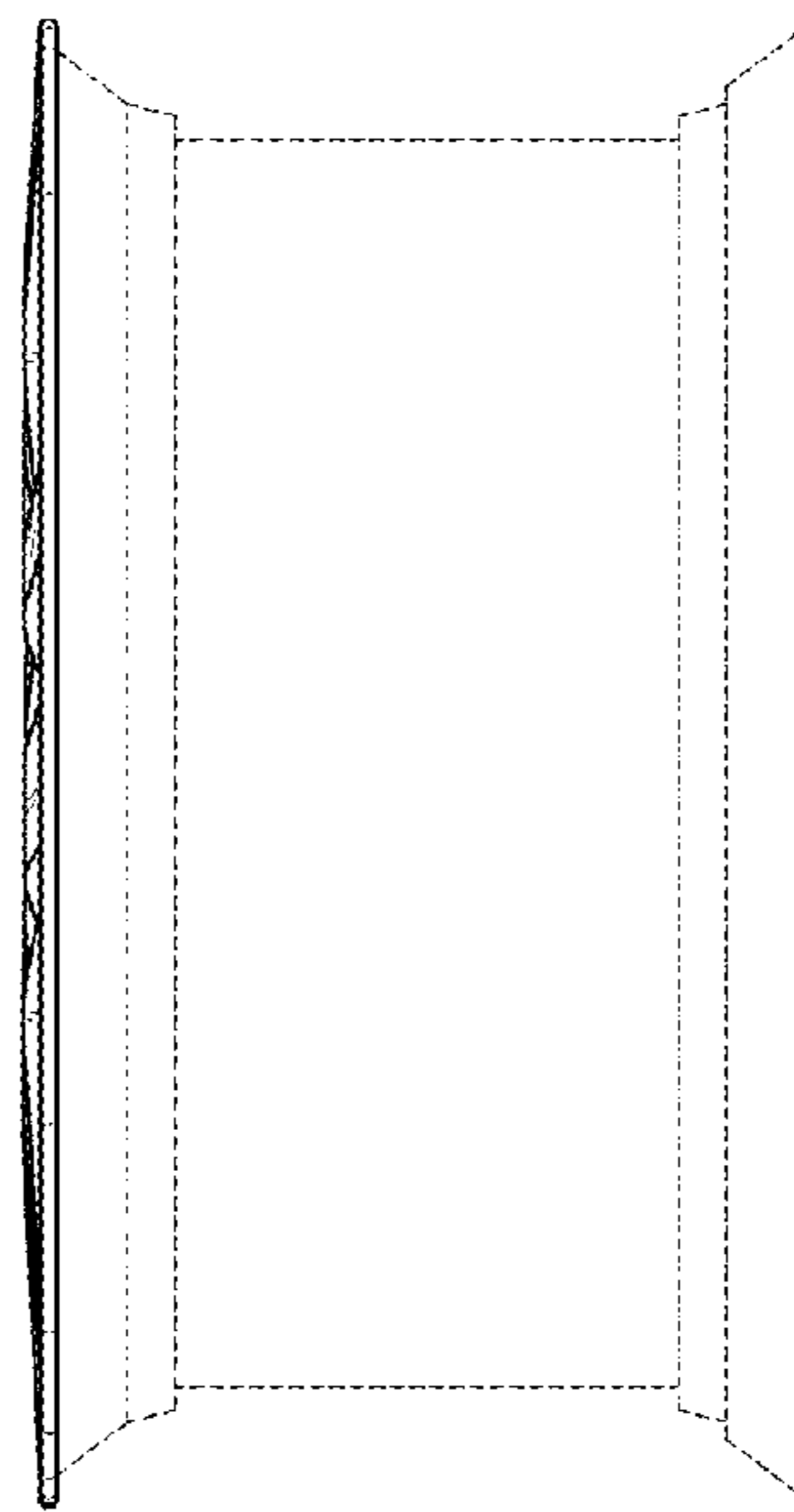


FIG. 3

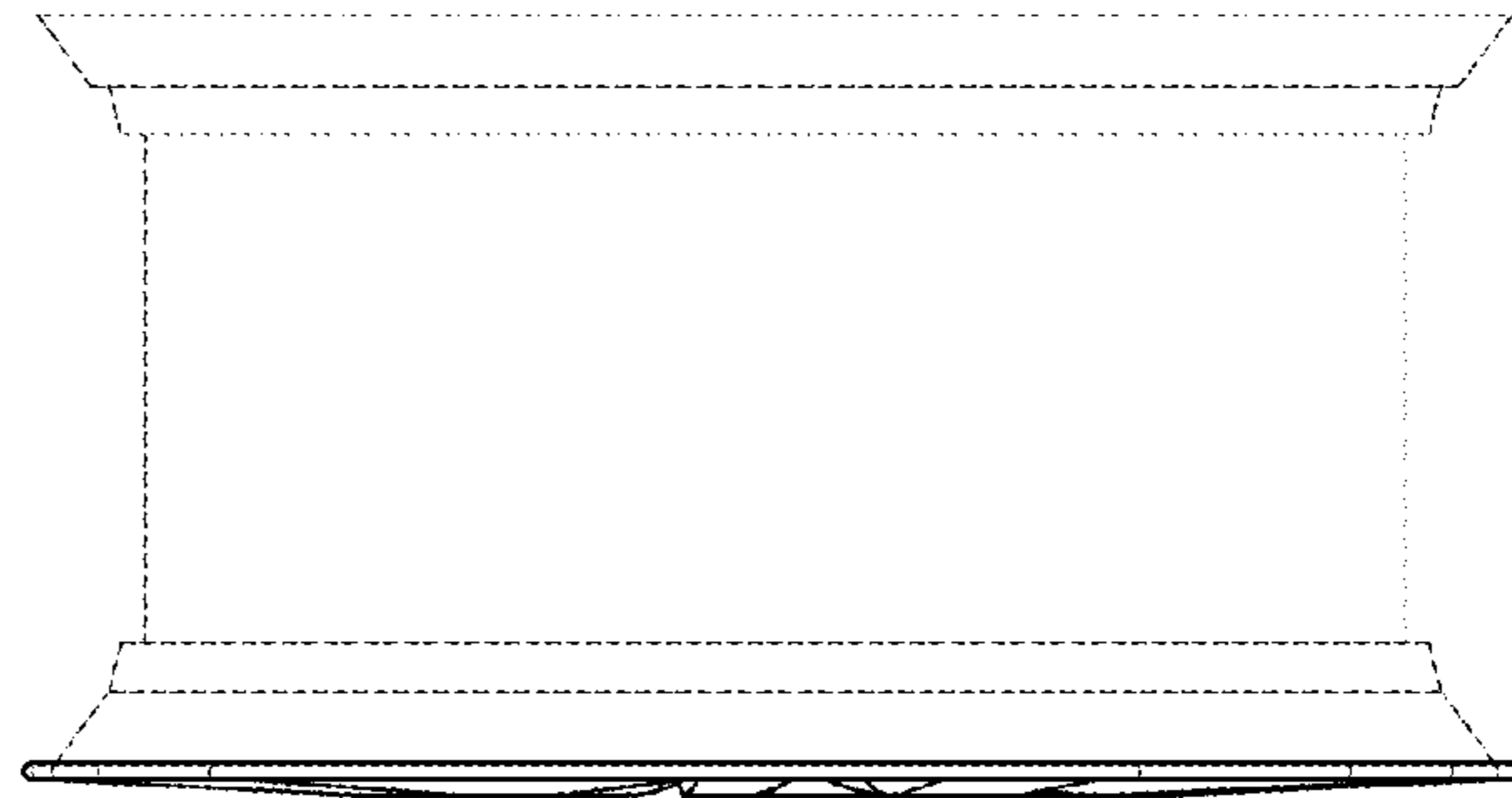


FIG. 4

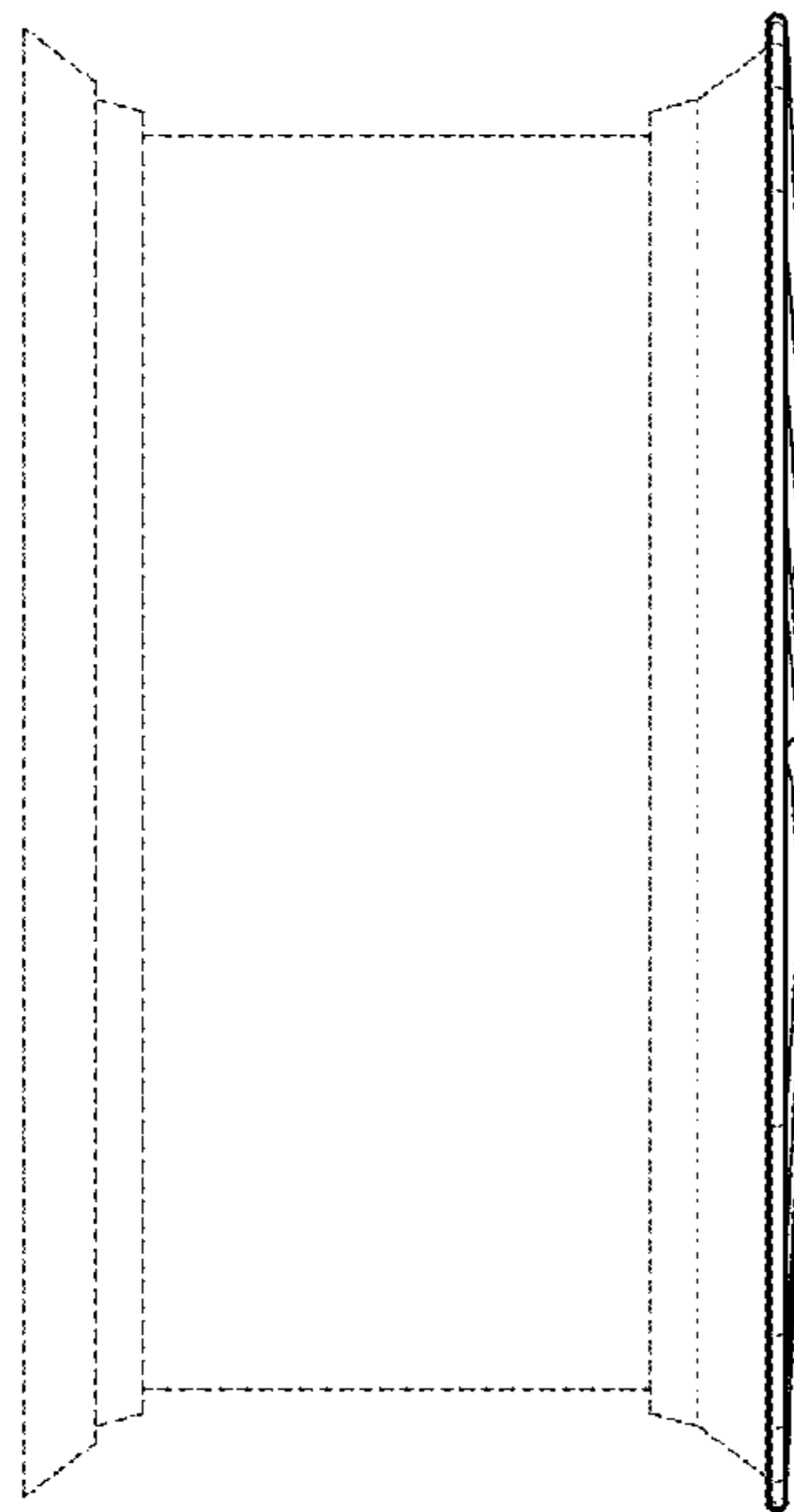


FIG. 5

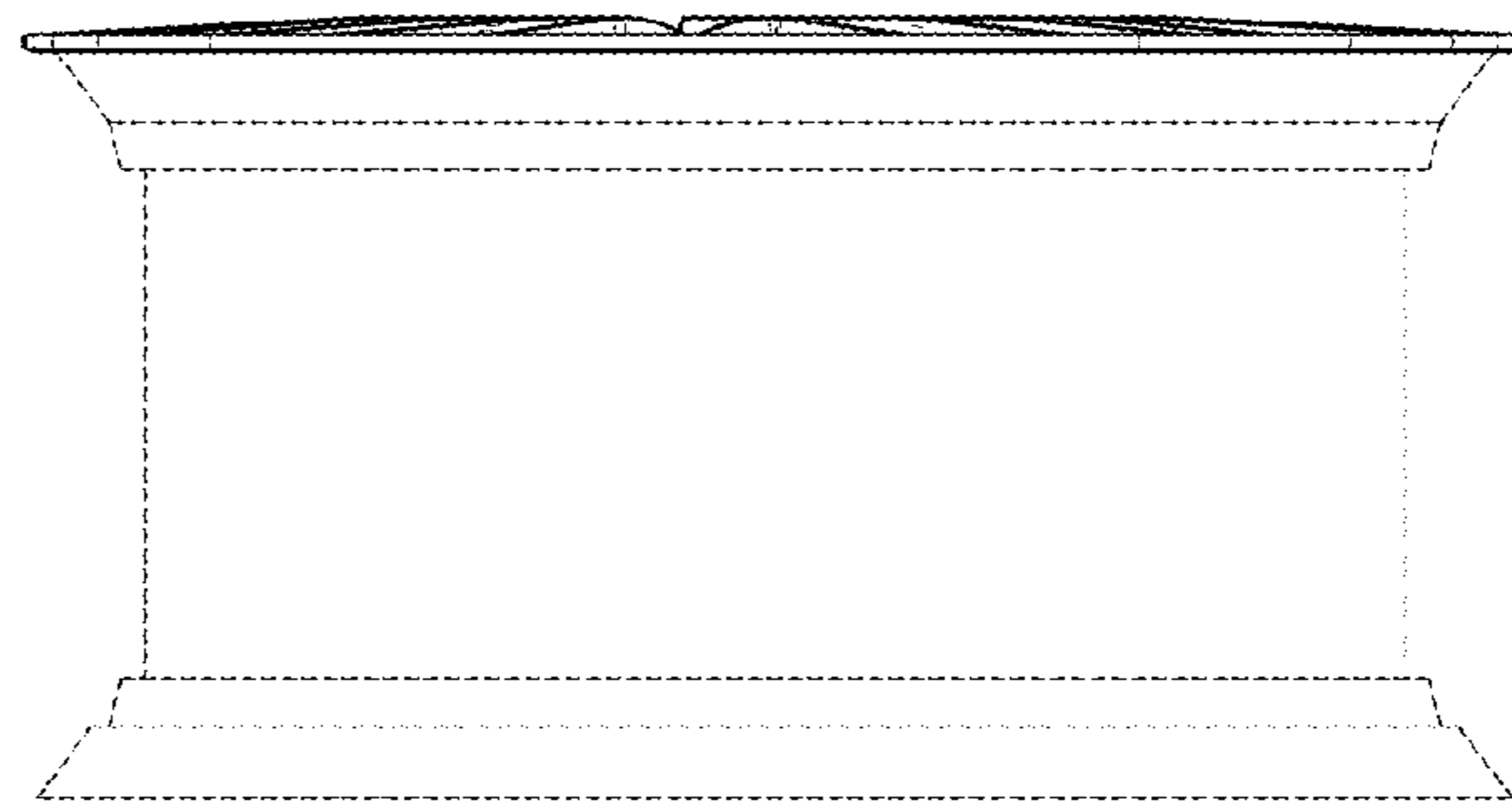


FIG. 6