



US00D729136S

(12) **United States Design Patent**  
**Pennington**

(10) **Patent No.:** **US D729,136 S**

(45) **Date of Patent:** **\*\* May 12, 2015**

(54) **WIND DEFLECTOR**

(71) Applicant: **King Penn Industries, Inc.**, Garland,  
TX (US)

(72) Inventor: **Stephen Pennington**, Garland, TX (US)

(73) Assignee: **King Penn Industries, Inc.**, Garland,  
TX (US)

(\*\*) Term: **14 Years**

(21) Appl. No.: **29/499,309**

(22) Filed: **Aug. 13, 2014**

(51) **LOC (10) Cl.** ..... **12-08**

(52) **U.S. Cl.**  
USPC ..... **D12/181**

(58) **Field of Classification Search**  
USPC ..... D12/181, 191, 196, 400, 190, 88;  
280/727, 770, 848; 296/180.01-180.5,  
296/91; 180/903

See application file for complete search history.

(56) **References Cited**

U.S. PATENT DOCUMENTS

D606,917 S	*	12/2009	Larson	.....	D12/181
D609,617 S	*	2/2010	Larson	.....	D12/181
D614,098 S	*	4/2010	Larson	.....	D12/181
D717,221 S	*	11/2014	Borkert	.....	D12/181

\* cited by examiner

*Primary Examiner* — Katrina A Betton

(74) *Attorney, Agent, or Firm* — Winstead PC

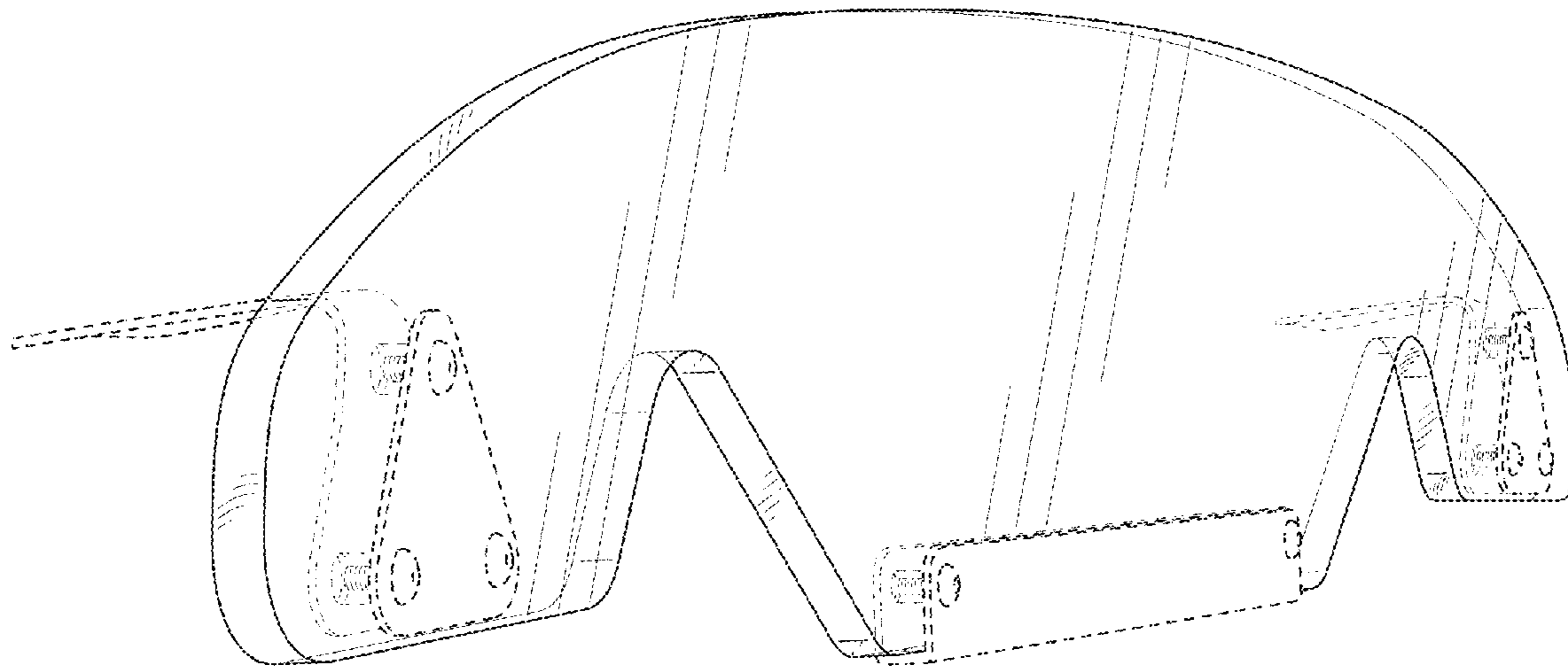
(57) **CLAIM**

The ornamental design for a wind deflector, as shown and described.

**DESCRIPTION**

FIG. 1 is a front perspective view of a wind deflector in accordance with my design;  
FIG. 2 is a rear perspective view thereof;  
FIG. 3 is a front view thereof;  
FIG. 4 is a back view thereof;  
FIG. 5 is a left side view thereof;  
FIG. 6 is a right side view thereof;  
FIG. 7 is a top plan view thereof; and,  
FIG. 8 is a bottom plan view thereof.  
The broken lines present in the drawings are for illustrative purposes only and form no part of the claimed design.

**1 Claim, 5 Drawing Sheets**



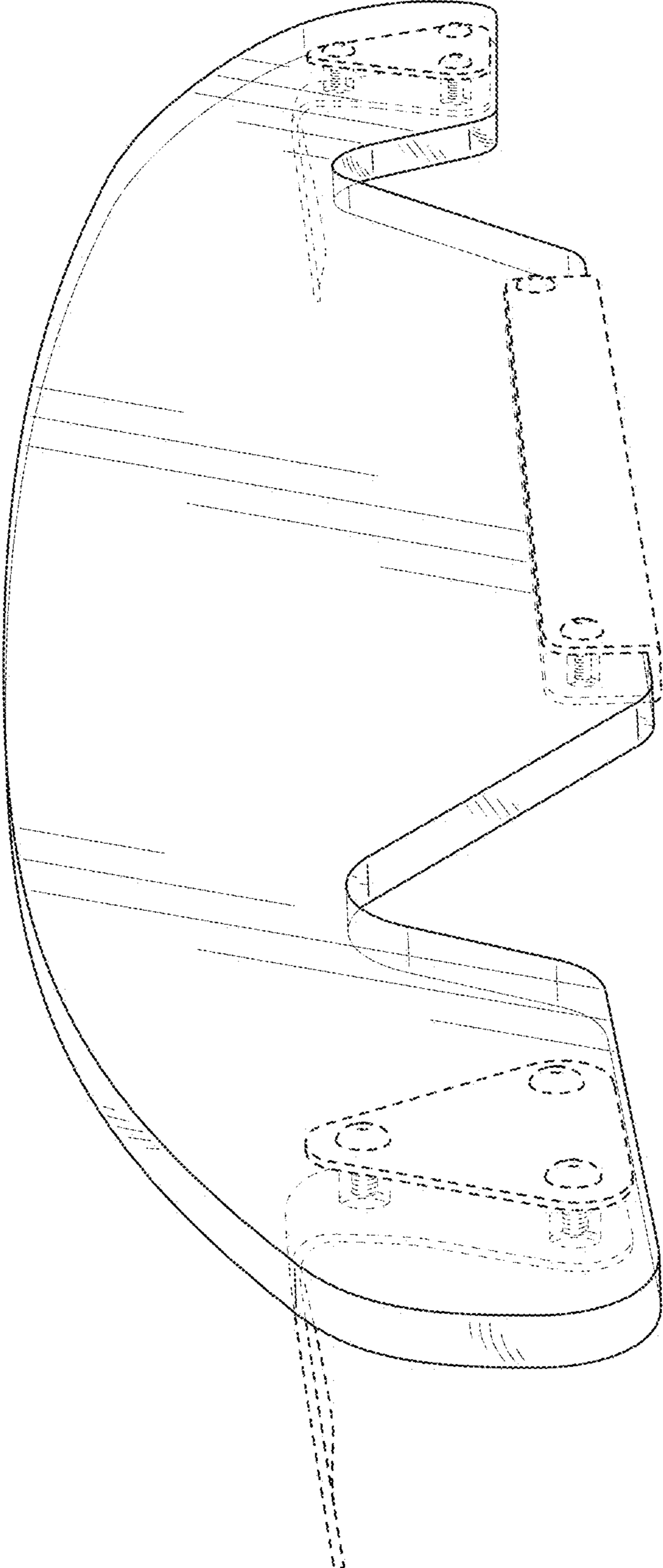


FIG. 1

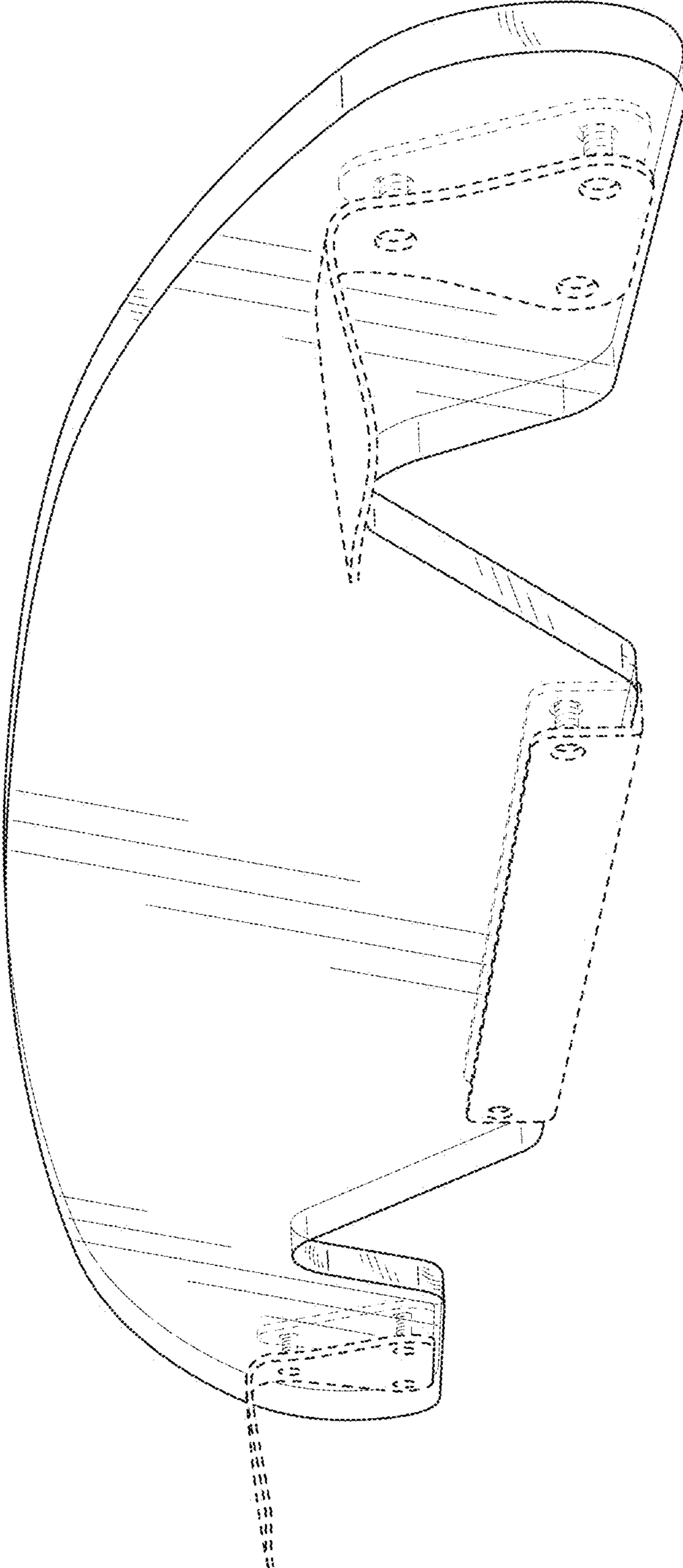


FIG. 2

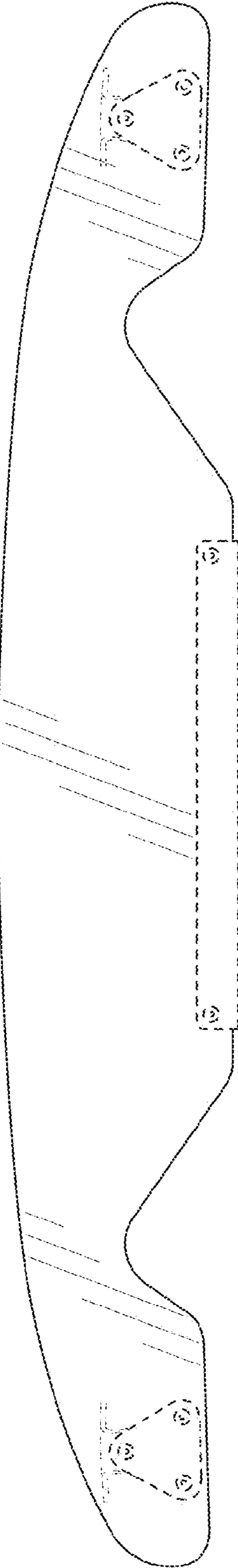


FIG. 3

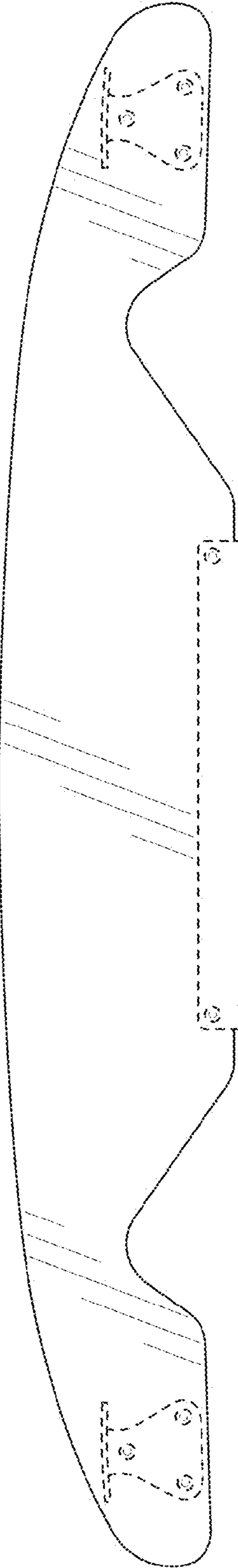


FIG. 4

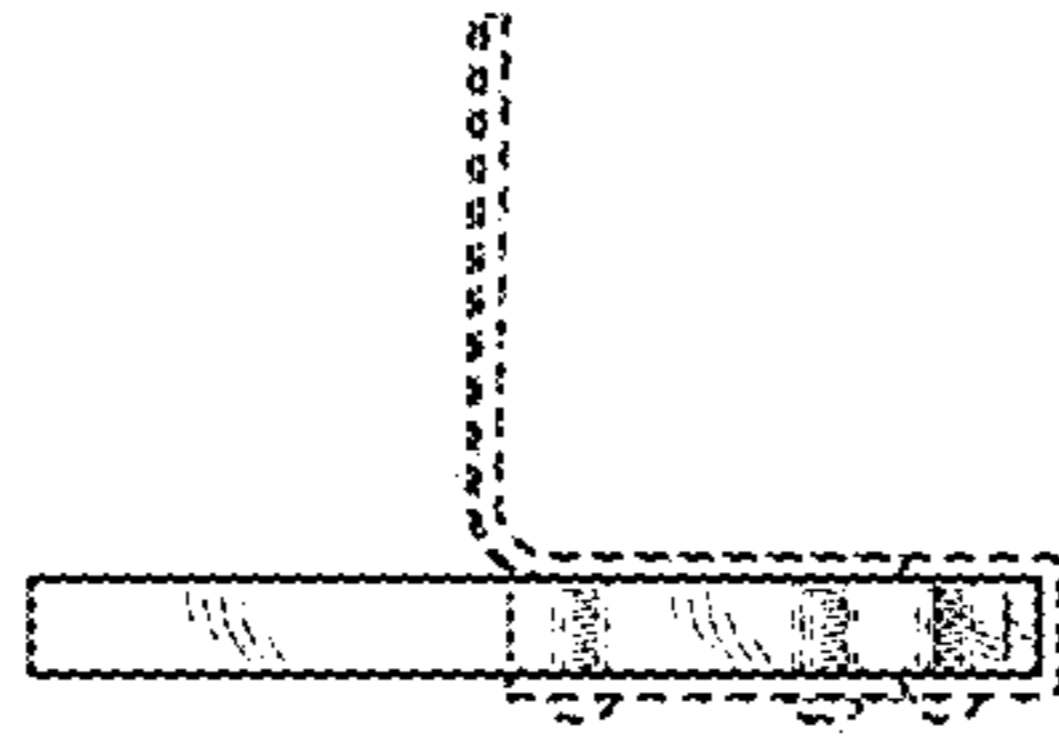


FIG. 6

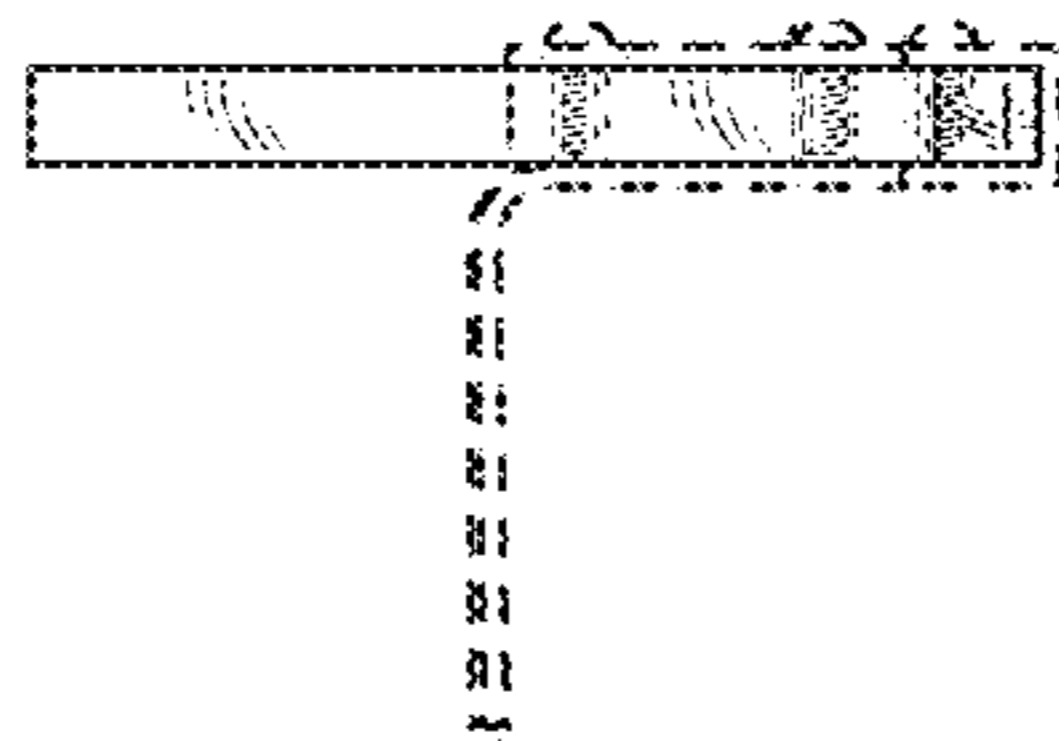


FIG. 5

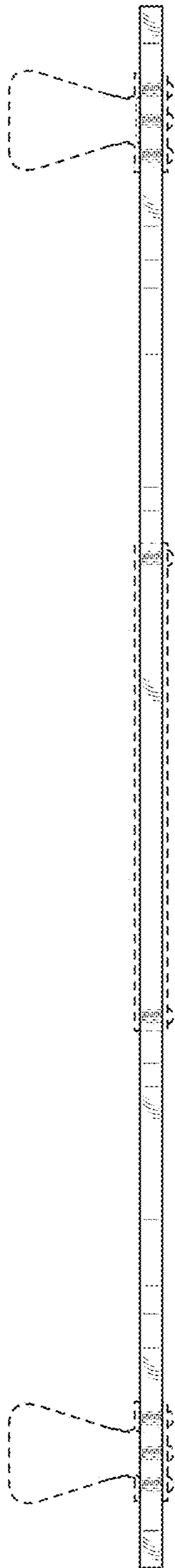


FIG. 7

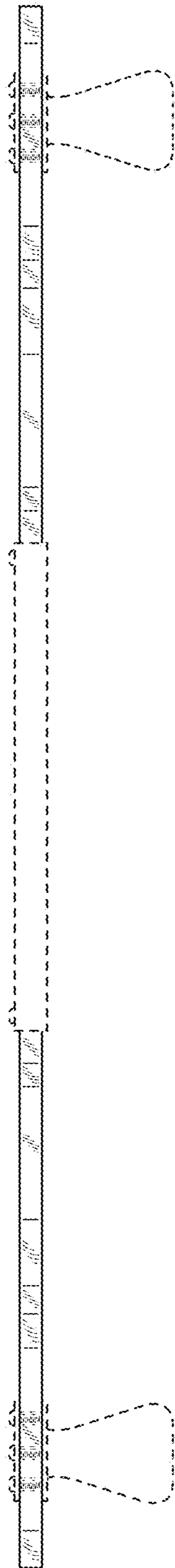


FIG. 8