



US00D729133S

(12) **United States Design Patent**
McGaughy

(10) **Patent No.:** **US D729,133 S**

(45) **Date of Patent:** **** May 12, 2015**

(54) **VEHICLE CLEARANCE CROSSMEMBER SUPPORT BRACKET**

(71) Applicant: **Steve McGaughy**, Fresno, CA (US)

(72) Inventor: **Steve McGaughy**, Fresno, CA (US)

(**) Term: **14 Years**

(21) Appl. No.: **29/472,450**

(22) Filed: **Nov. 12, 2013**

(51) **LOC (10) Cl.** **12-16**

(52) **U.S. Cl.**
USPC **D12/159**

(58) **Field of Classification Search**
USPC D12/159; 224/441, 459, 545, 547, 555;
248/674; 174/503; 188/209, 274, 281,
188/286, 297–298, 315–316; 280/11.225,
280/86.752, 104, 124.145–124.147,
280/124.155, 175, 676, 677, 681, 682, 687;
464/173; 267/64.15, 136, 195, 217
See application file for complete search history.

(56) **References Cited**

U.S. PATENT DOCUMENTS

1,591,869	A *	7/1926	Wiedman	403/231
3,409,318	A *	11/1968	Gottschald	403/134
3,871,146	A *	3/1975	Hamy	52/79.7
4,056,180	A *	11/1977	Gunti	193/35 J
4,634,168	A *	1/1987	Fuchs et al.	296/35.1
4,887,486	A *	12/1989	Wood, Jr.	74/588
5,438,795	A *	8/1995	Galbraith	47/46
6,192,645	B1 *	2/2001	Benz et al.	52/656.1
7,036,233	B1 *	5/2006	Schindler	33/1 PT
D575,220	S *	8/2008	Pockalny	D12/223
D647,385	S *	10/2011	Watts	D8/349
8,253,040	B2 *	8/2012	Hopkins	174/503
8,533,955	B2 *	9/2013	Agnihotri	29/897.3

2002/0020572	A1 *	2/2002	Wooldridge et al.	180/68.4
2007/0204550	A1 *	9/2007	McPherson	52/633
2007/0256659	A1 *	11/2007	Anderson et al.	123/198 R
2008/0246297	A1 *	10/2008	Tietje	296/63
2009/0000235	A1 *	1/2009	Kieran et al.	52/656.9
2010/0253032	A1 *	10/2010	Ramsey	280/124.162
2011/0290967	A1 *	12/2011	Ringenbach et al.	248/220.1
2012/0119900	A1 *	5/2012	Walther et al.	340/474
2014/0075875	A1 *	3/2014	Dayton et al.	52/655.1
2014/0346299	A1 *	11/2014	Sterling	248/228.1
2014/0346315	A1 *	11/2014	Mayo et al.	248/674

* cited by examiner

Primary Examiner — Michael A Pratt

(74) *Attorney, Agent, or Firm* — Kilpatrick Townsend & Stockton LLP

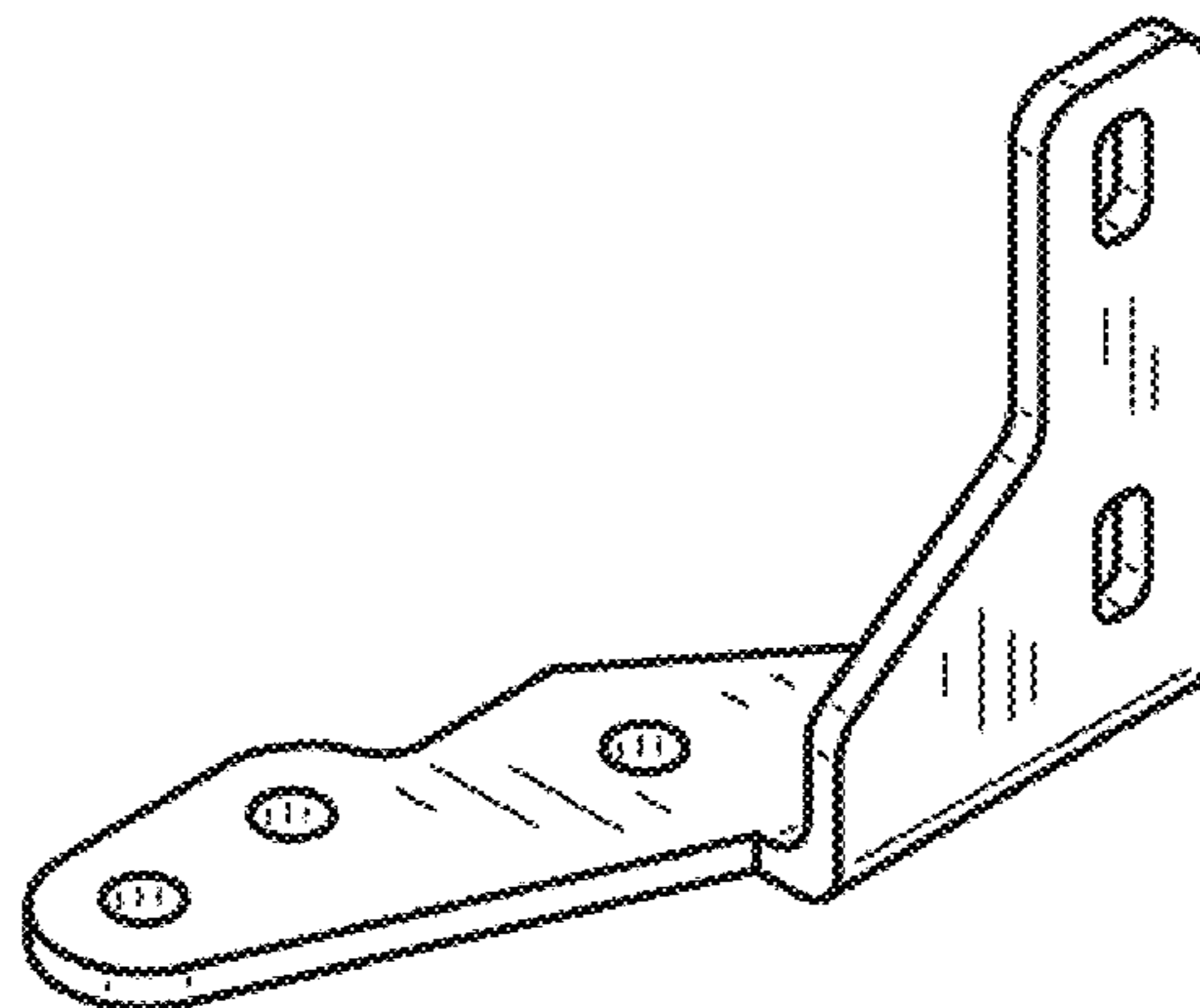
(57) **CLAIM**

The ornamental design for a vehicle clearance crossmember support bracket, as shown and described.

DESCRIPTION

FIG. 1 is a rear perspective view of vehicle clearance crossmember support bracket showing my new design; FIG. 2 is a front perspective view thereof; FIG. 3 is a rear elevational view, the front elevational view being a mirror image thereof; FIG. 4 is a front elevational view, the rear elevational view being a mirror image thereof; FIG. 5 is a left side elevational view, the right side elevational view being a mirror image thereof; FIG. 6 is a right side elevational view, the left side elevational view being a mirror image thereof; FIG. 7 is top plan view thereof; and, FIG. 8 is a bottom plan view thereof. The claimed vehicle clearance crossmember support bracket is used to raise the chassis of a vehicle.

1 Claim, 4 Drawing Sheets



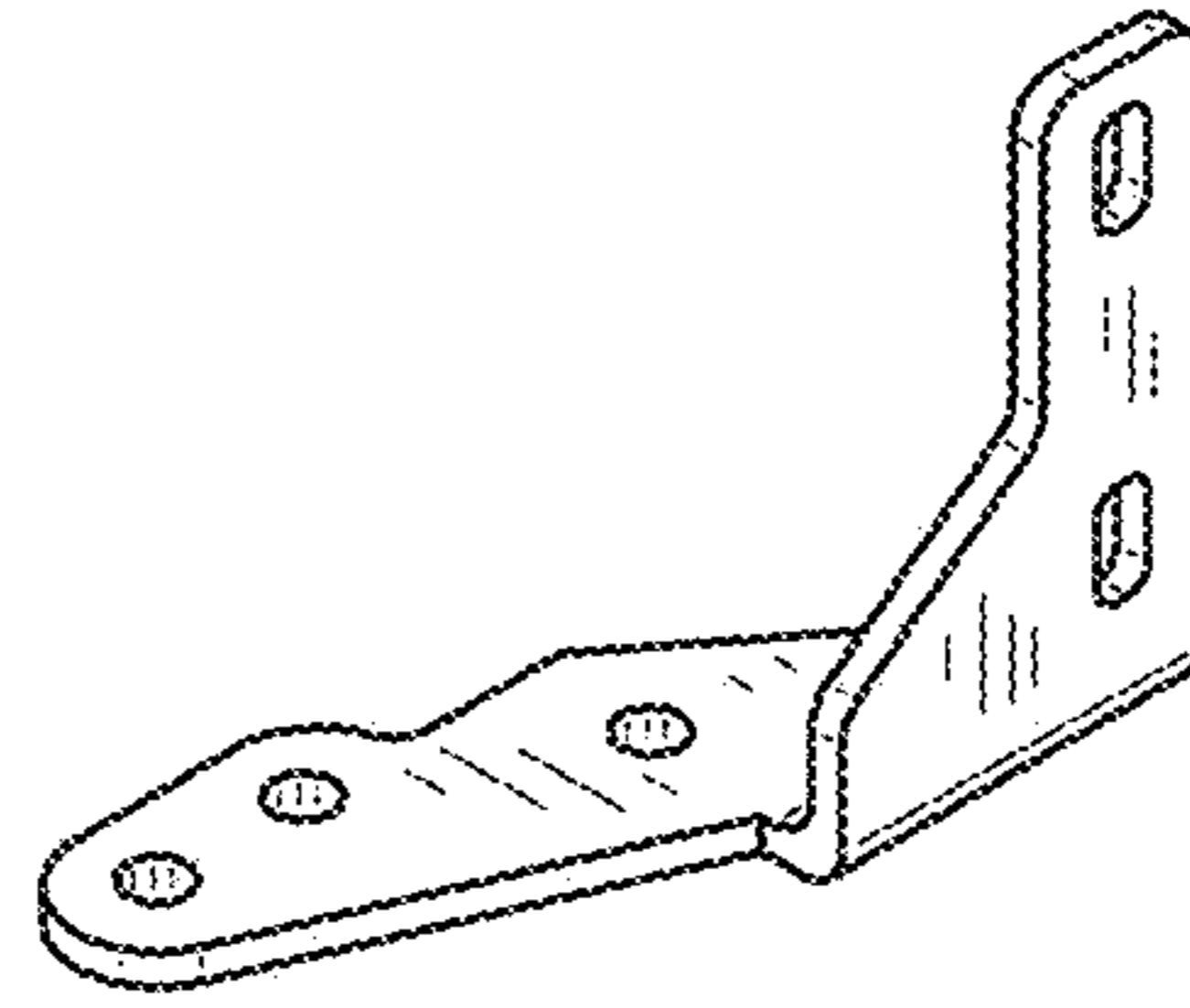


FIG. 1

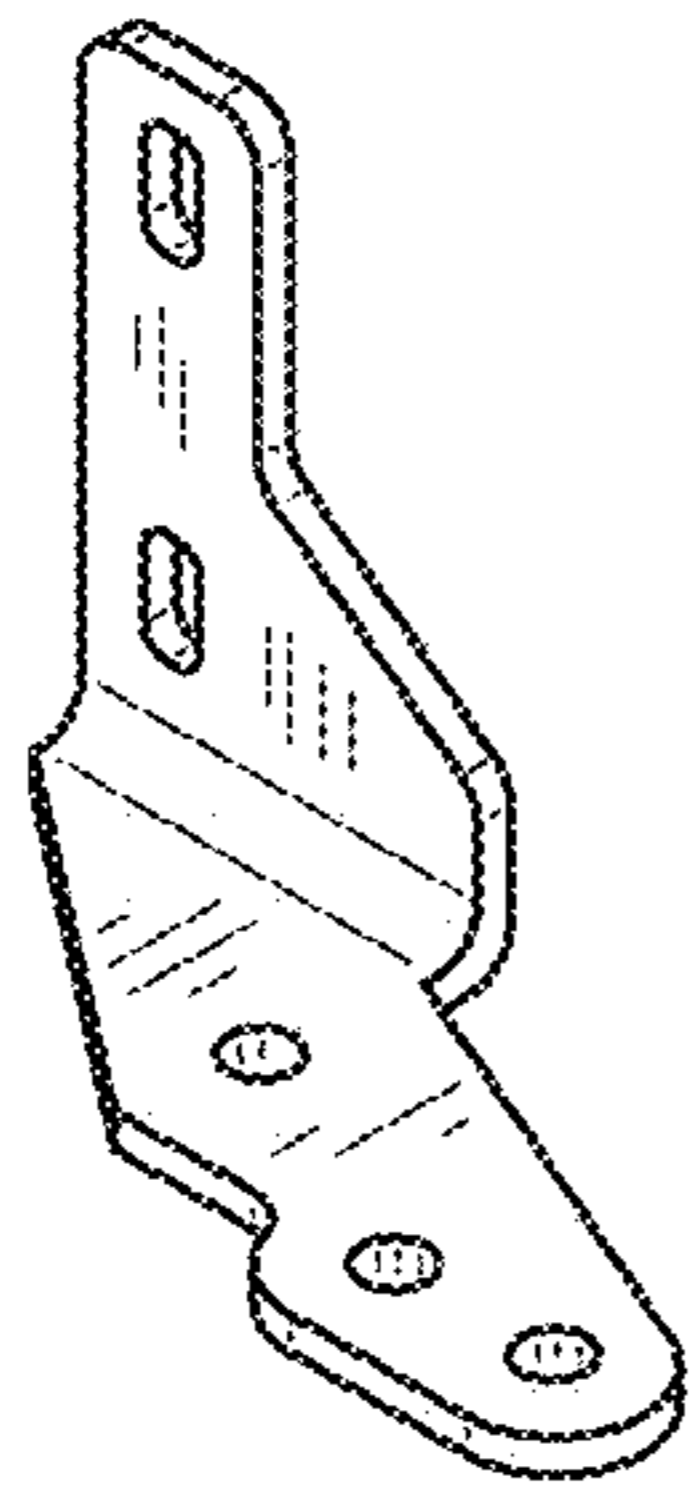


FIG. 2

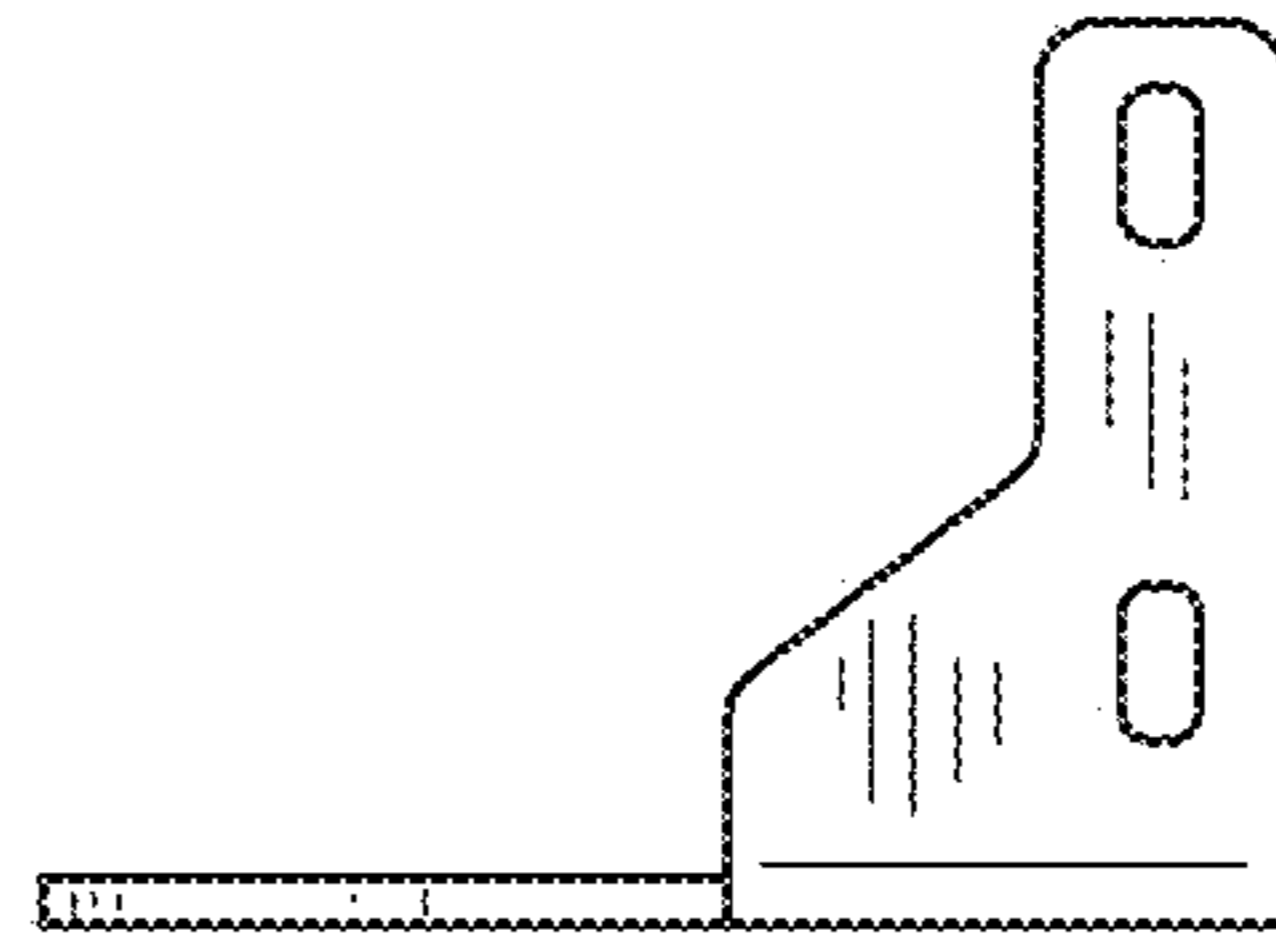


FIG.3

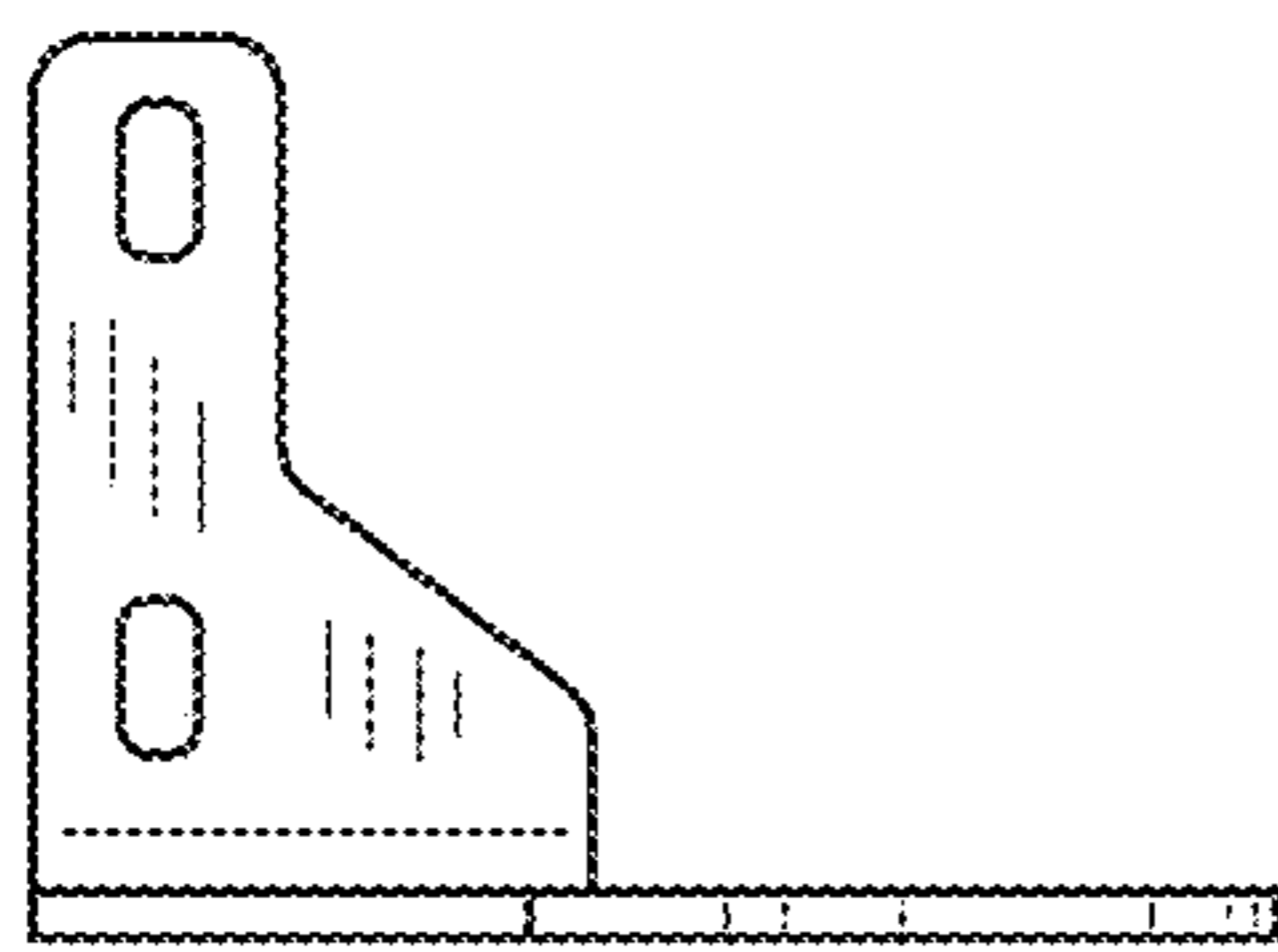


FIG.4

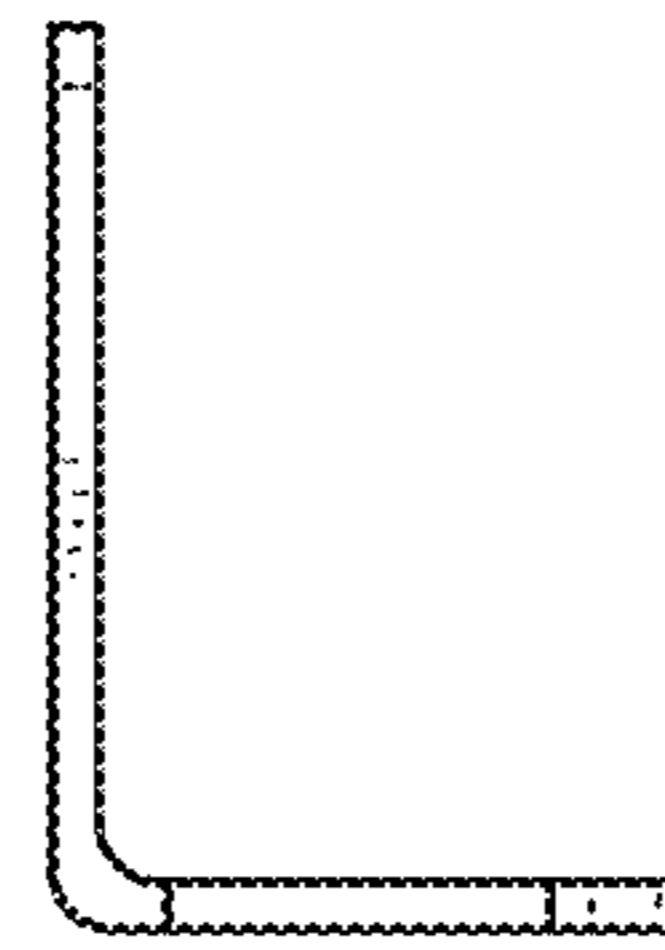


FIG. 5

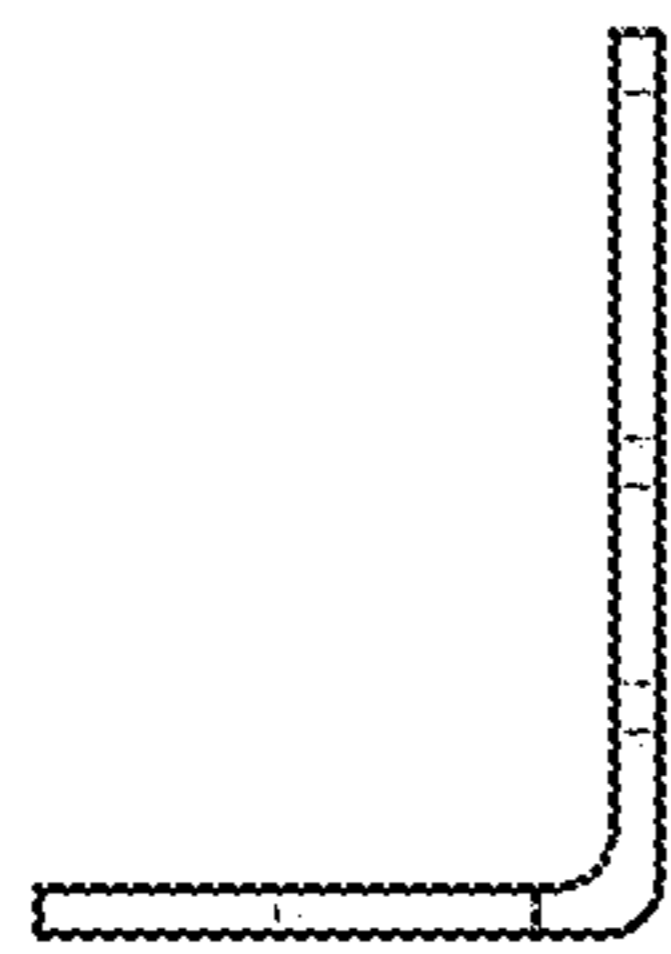


FIG. 6

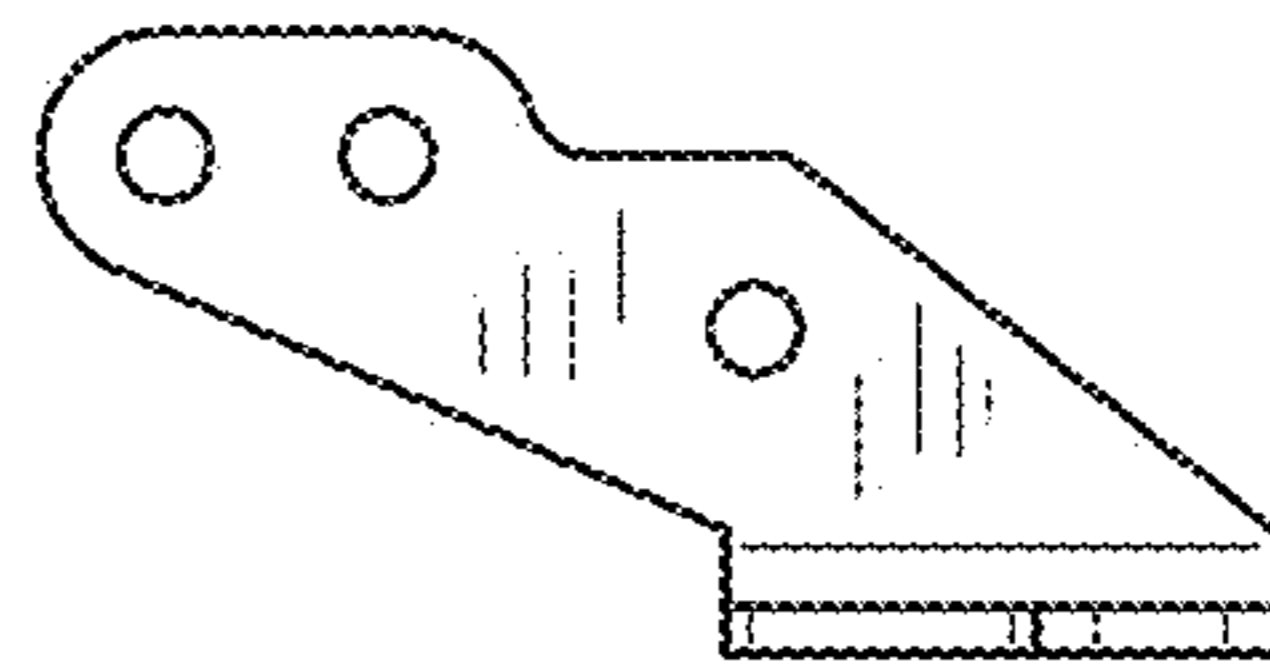


FIG. 7

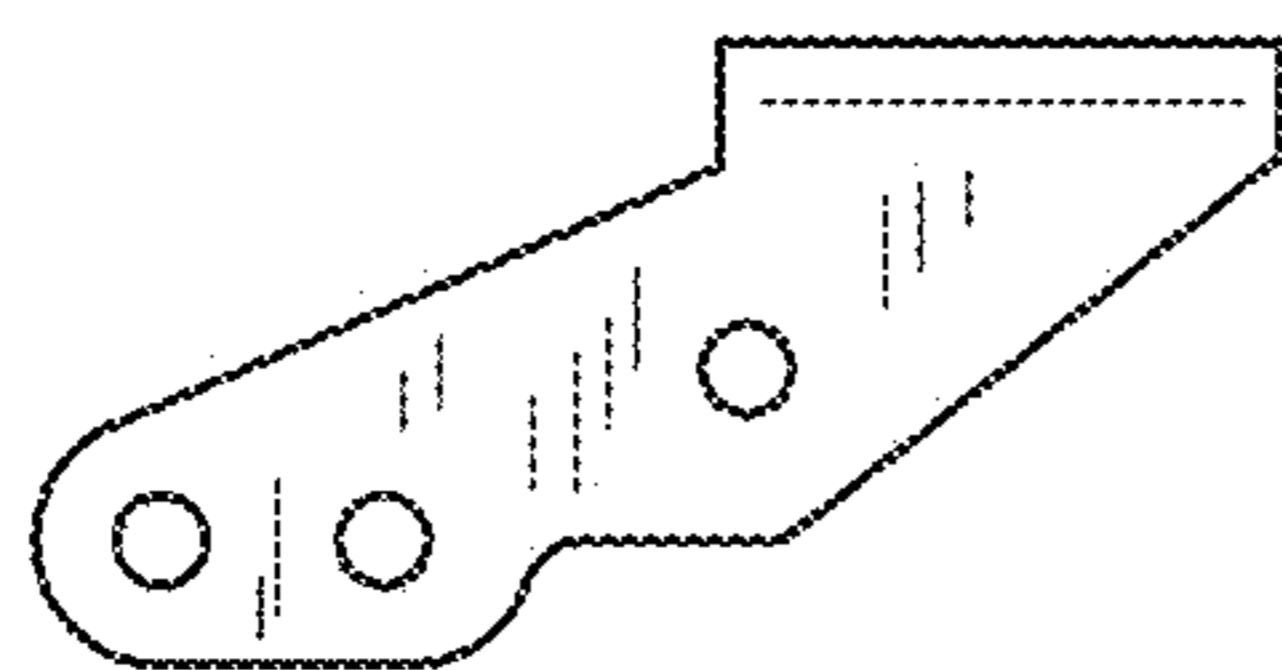


FIG. 8