



US00D729132S

(12) **United States Design Patent**  
**Valentino et al.**

(10) **Patent No.:** **US D729,132 S**  
(45) **Date of Patent:** **\*\* May 12, 2015**

(54) **LEGS AND FRAME OF A PATIENT TRANSPORT DEVICE**

*Primary Examiner* — Ian Simmons

*Assistant Examiner* — Charles Hanson

(71) Applicant: **Ferno-Washington, Inc.**, Wilmington, OH (US)

(74) *Attorney, Agent, or Firm* — Dinsmore & Shohl LLP

(72) Inventors: **Nicholas V. Valentino**, Springboro, OH (US); **Brian M. Magill**, Morrow, OH (US); **Kemal B. Oz**, Dublin, OH (US); **Timothy P. Schroeder**, Mason, OH (US)

(57) **CLAIM**

The ornamental design for a legs and frame of a patient transport device, as shown and described.

(73) Assignee: **Ferno-Washington, Inc.**, Wilmington, OH (US)

**DESCRIPTION**

(\*\*) Term: **14 Years**

This application is related to U.S. patent application Ser. No. 29/458,150 entitled Legs of a Patient Transport Device Having Surface Ornamentation; Ser. No. 29/458,151 entitled Control Panel of a Patient Transport Device Having Surface Ornamentation; and Ser. No. 29/442,947 entitled Patient Transport Device, filed concurrently herewith.

(21) Appl. No.: **29/458,153**

(22) Filed: **Jun. 17, 2013**

(51) **LOC (10) Cl.** ..... **12-12**

(52) **U.S. Cl.**  
USPC ..... **D12/132**

(58) **Field of Classification Search**  
USPC ..... D12/128–133; 280/18.1, 19, 47.131;  
128/99.1; 5/625–627

See application file for complete search history.

FIG. 1 is a right side elevational view of legs and frame of a patient transport device illustrating an embodiment of my new design;

FIG. 2 is a left side elevational view thereof;

FIG. 3 is a rear elevational view thereof;

FIG. 4 is a front elevational view thereof;

FIG. 5 is a top plan view thereof;

FIG. 6 is a bottom plan view thereof;

FIG. 7 is a left side perspective view thereof;

FIG. 8 is a bottom isometric view thereof;

FIG. 9 is a right side elevational view of legs and frame of a patient transport device illustrating an alternative embodiment of my new design;

FIG. 10 is a left side elevational view thereof;

FIG. 11 is a rear elevational view thereof;

FIG. 12 is a front elevational view thereof;

FIG. 13 is a top plan view thereof;

FIG. 14 is a bottom plan view thereof;

FIG. 15 is a left side perspective view thereof; and,

FIG. 16 is a bottom isometric view thereof.

The broken lines in the drawings are included for the purpose of illustrating environmental structure and forms no part of the claimed design.

(56) **References Cited**

**U.S. PATENT DOCUMENTS**

2,203,204 A 6/1940 Nicolai  
3,631,546 A 1/1972 Eliasson

(Continued)

**FOREIGN PATENT DOCUMENTS**

CN 102781392 A 11/2012  
EP 2412355 A1 2/2012

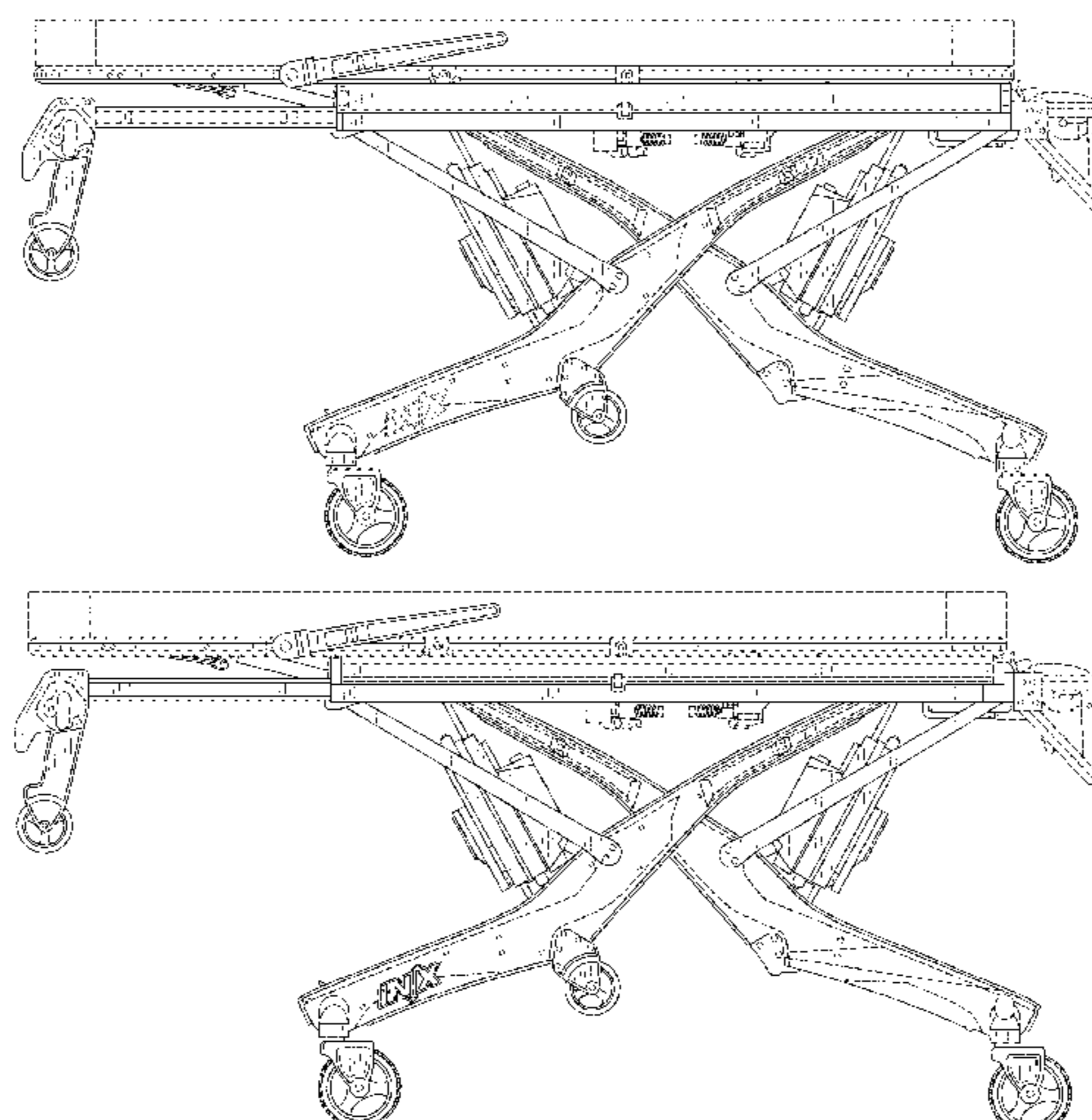
(Continued)

**OTHER PUBLICATIONS**

Examiner's Report, dated May 13, 2014 pertaining to Canadian Design Patent application 154348.

(Continued)

**1 Claim, 14 Drawing Sheets**



(56)

References Cited

U.S. PATENT DOCUMENTS

4,037,871 A 7/1977 Bourgraf et al.  
 4,155,588 A 5/1979 Danziger  
 D289,992 S \* 5/1987 Schragger ..... D12/132  
 4,745,647 A \* 5/1988 Goodwin ..... 5/713  
 4,761,841 A \* 8/1988 Larsen ..... 5/81.1 C  
 4,921,295 A 5/1990 Stollenwerk  
 5,023,968 A \* 6/1991 Diehl et al. .... 5/81.1 R  
 5,088,136 A 2/1992 Stryker et al.  
 5,431,087 A 7/1995 Kambara  
 5,509,159 A 4/1996 Du Boise  
 5,586,346 A \* 12/1996 Stacy et al. .... 5/710  
 5,720,057 A 2/1998 Duncan  
 5,839,136 A 11/1998 Vance et al.  
 6,311,952 B2 11/2001 Bainter  
 D454,319 S \* 3/2002 Ito ..... D12/131  
 6,654,973 B2 \* 12/2003 Van Den Heuvel et al. .... 5/611  
 6,976,696 B2 12/2005 O'Krangley et al.  
 7,013,510 B1 3/2006 Johnson  
 7,621,003 B2 \* 11/2009 Myers et al. .... 5/86.1  
 D606,910 S \* 12/2009 Malassigne et al. .... D12/132  
 7,631,373 B2 12/2009 Broadley et al.  
 7,641,211 B2 1/2010 Ivanchenko  
 7,841,611 B2 11/2010 Ivanchenko  
 7,941,881 B2 5/2011 Hayes et al.  
 7,996,939 B2 \* 8/2011 Benedict et al. .... 5/611  
 8,051,513 B2 \* 11/2011 Reed et al. .... 5/627  
 8,056,950 B2 \* 11/2011 Souke et al. .... 296/20  
 8,100,307 B2 \* 1/2012 Chinn et al. .... 224/407  
 8,240,410 B2 \* 8/2012 Heimbrock et al. .... 180/65.1  
 RE44,884 E \* 5/2014 Lambarth ..... 5/611  
 8,714,612 B2 \* 5/2014 Chinn ..... 296/20  
 2002/0056162 A1 5/2002 Flynn et al.  
 2002/0174486 A1 \* 11/2002 Heuvel et al. .... 5/611  
 2004/0088792 A1 5/2004 O'Krangley et al.  
 2006/0096029 A1 5/2006 Osborne et al.  
 2008/0128571 A1 6/2008 Dostaler et al.  
 2009/0165208 A1 7/2009 Reed et al.  
 2009/0172883 A1 7/2009 Benedict et al.

2009/0313758 A1 12/2009 Menkedick et al.  
 2010/0306921 A1 \* 12/2010 Kramer ..... 5/618  
 2011/0266821 A1 \* 11/2011 Goto et al. .... 296/20  
 2012/0275896 A1 \* 11/2012 Magill et al. .... 414/800  
 2014/0059768 A1 \* 3/2014 Lemire et al. .... 5/611  
 2014/0276269 A1 \* 9/2014 Illindala ..... 601/41

FOREIGN PATENT DOCUMENTS

GB 2351439 A 1/2001  
 JP 02-200262 8/1990  
 WO 2011088169 A1 7/2011

OTHER PUBLICATIONS

Examiner's Report, dated May 13, 2014 pertaining to Canadian Design Patent application 154349.  
 Examiner's Report, dated May 13, 2014 pertaining to Canadian Design Patent application 154350.  
 Examiner's Report, dated May 13, 2014 pertaining to Canadian Design Patent application 154351.  
 Chinese first Office Action pertaining to Chinese Patent Application No. 201180011448.8, dated Aug. 14, 2014.  
 Search Report and Written Opinion for International Application No. PCT/US2013/051271 dated Jan. 15, 2014.  
 Australian Examination Report for Registration No. 353436 dated Jul. 30, 2014.  
 Examination Report corresponding to Japanese Patent Application No. 2012-549057, dated Oct. 28, 2014.  
 Search Report and Written Opinion for International Application No. PCT/US11/21069 dated May 25, 2011.  
 Preliminary Rejection dated Sep. 2, 2014 pertaining to Korean Design Application No. 30-2013-0063154.  
 Preliminary Rejection dated Sep. 2, 2014 pertaining to Korean Design Application No. 30-2013-0063155.  
 Preliminary Rejection dated Sep. 2, 2014 pertaining to Korean Design Application No. 30-2013-0063157.

\* cited by examiner

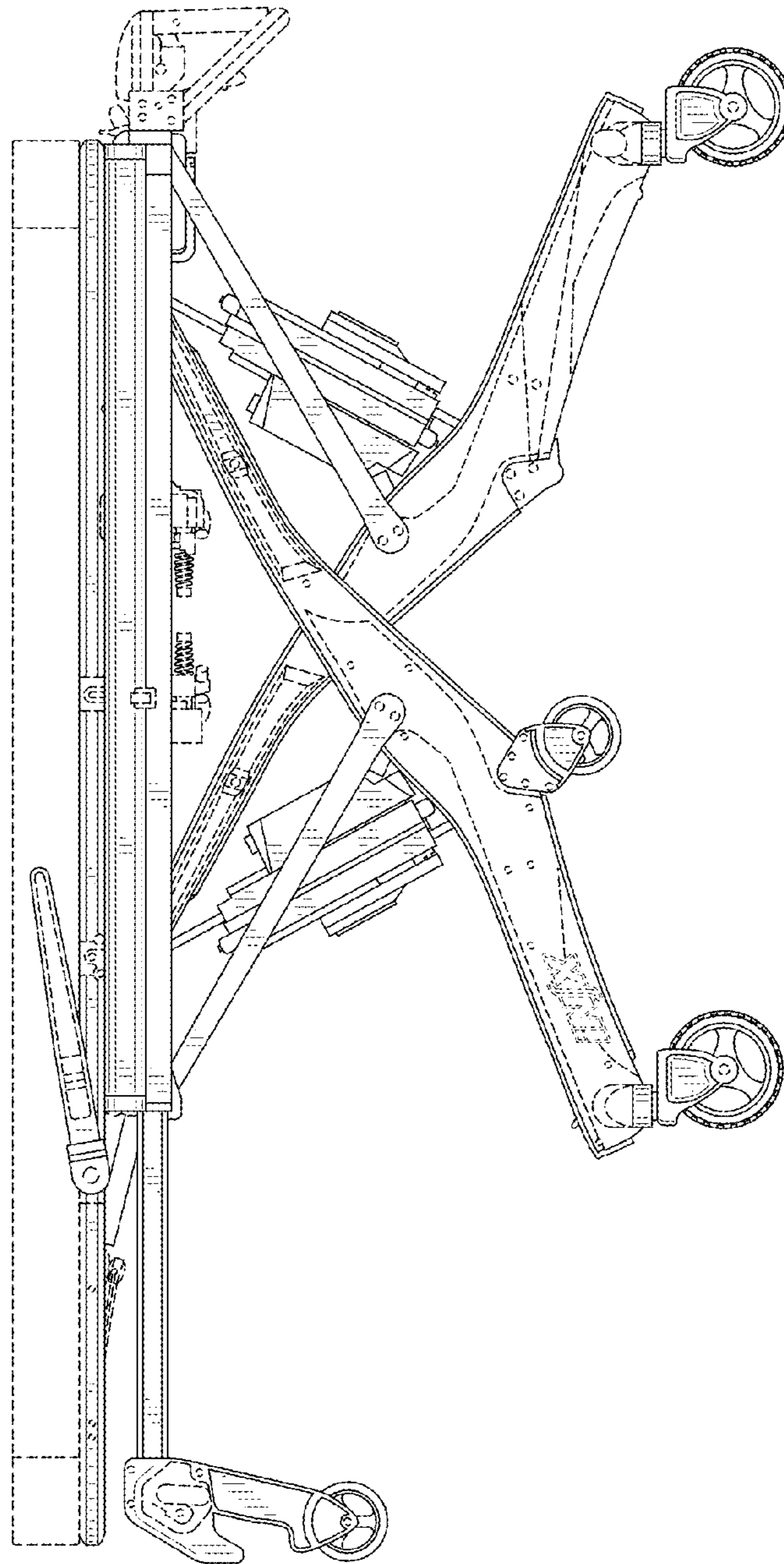


FIG. 1

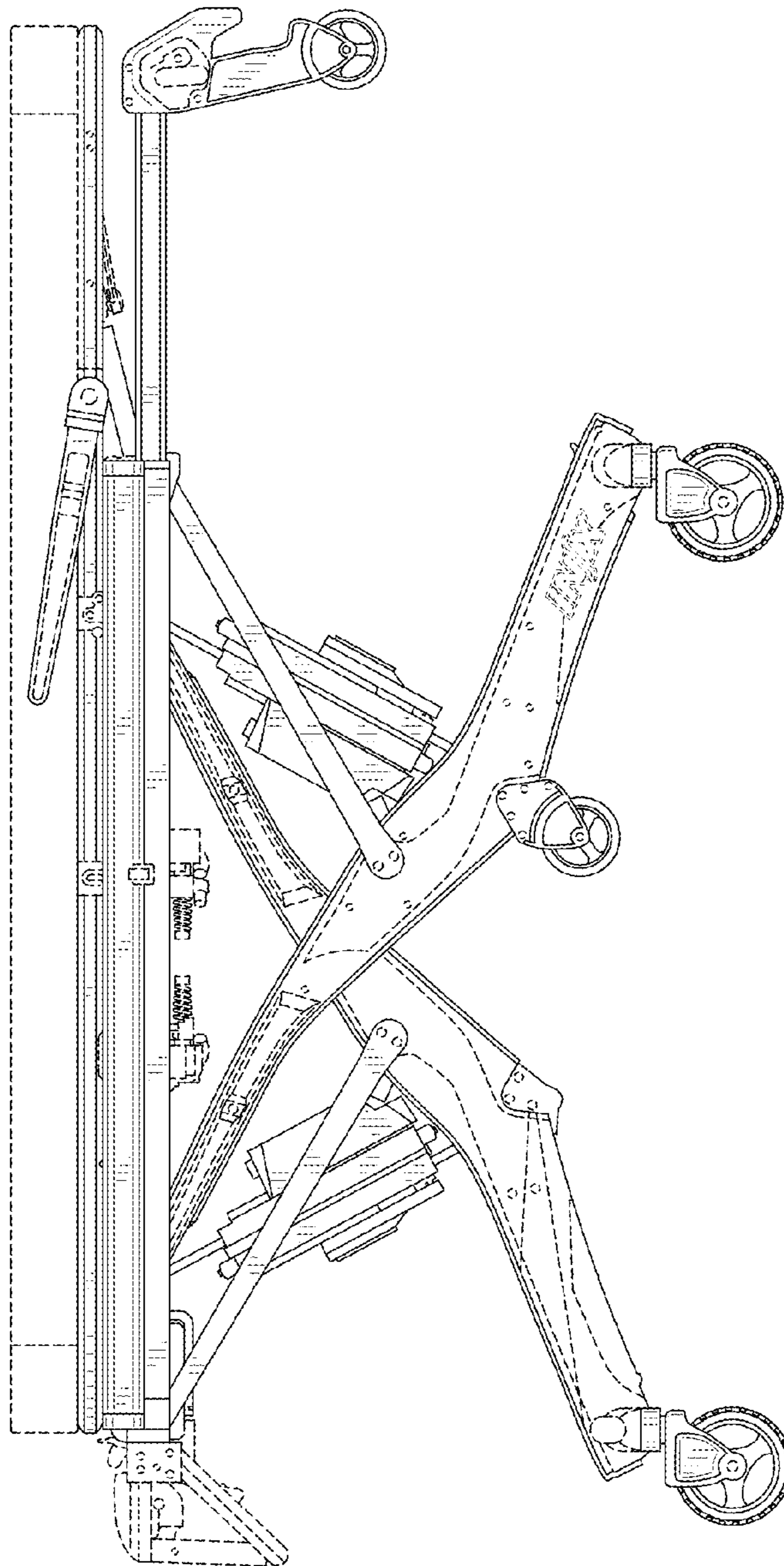


FIG. 2

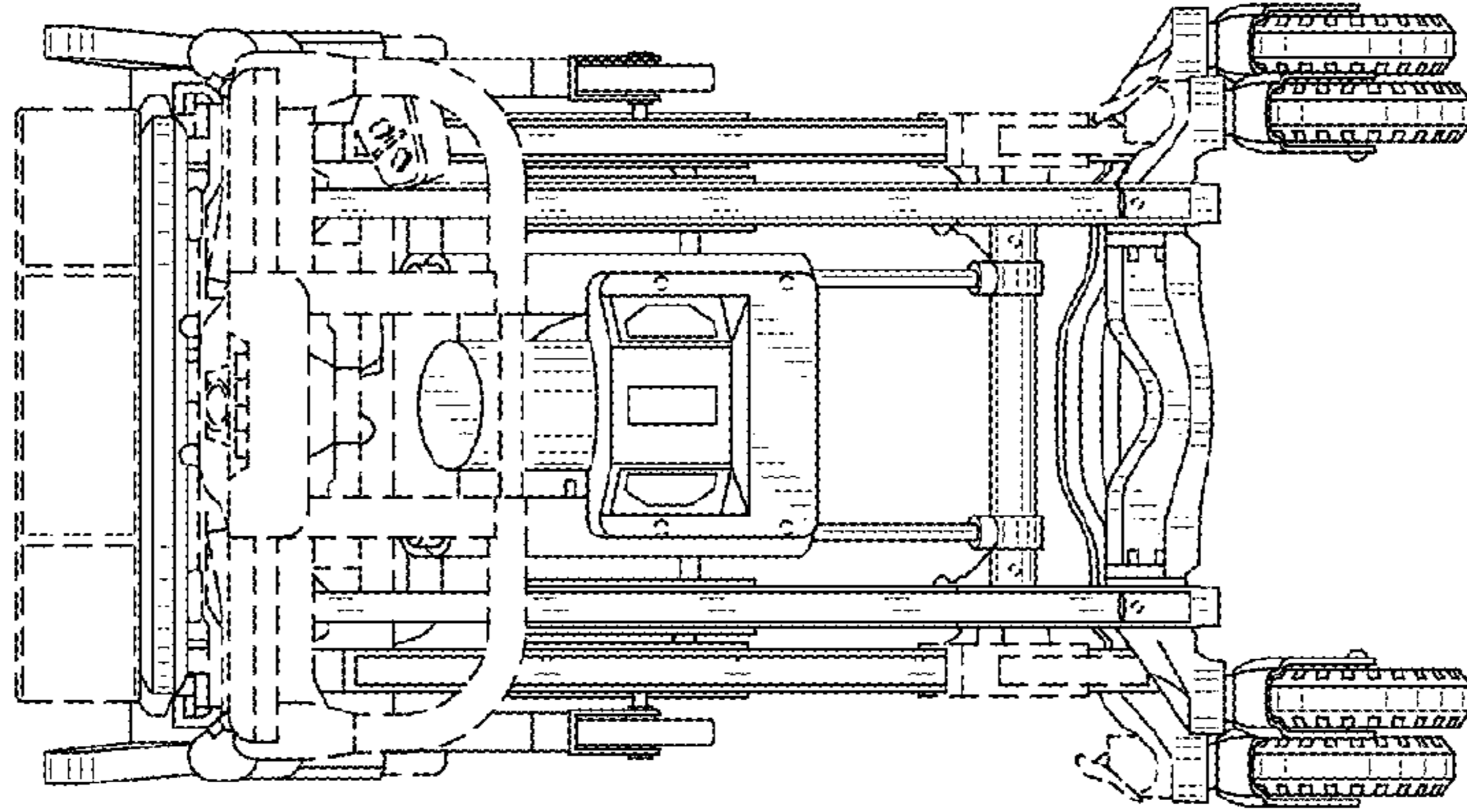


FIG. 4

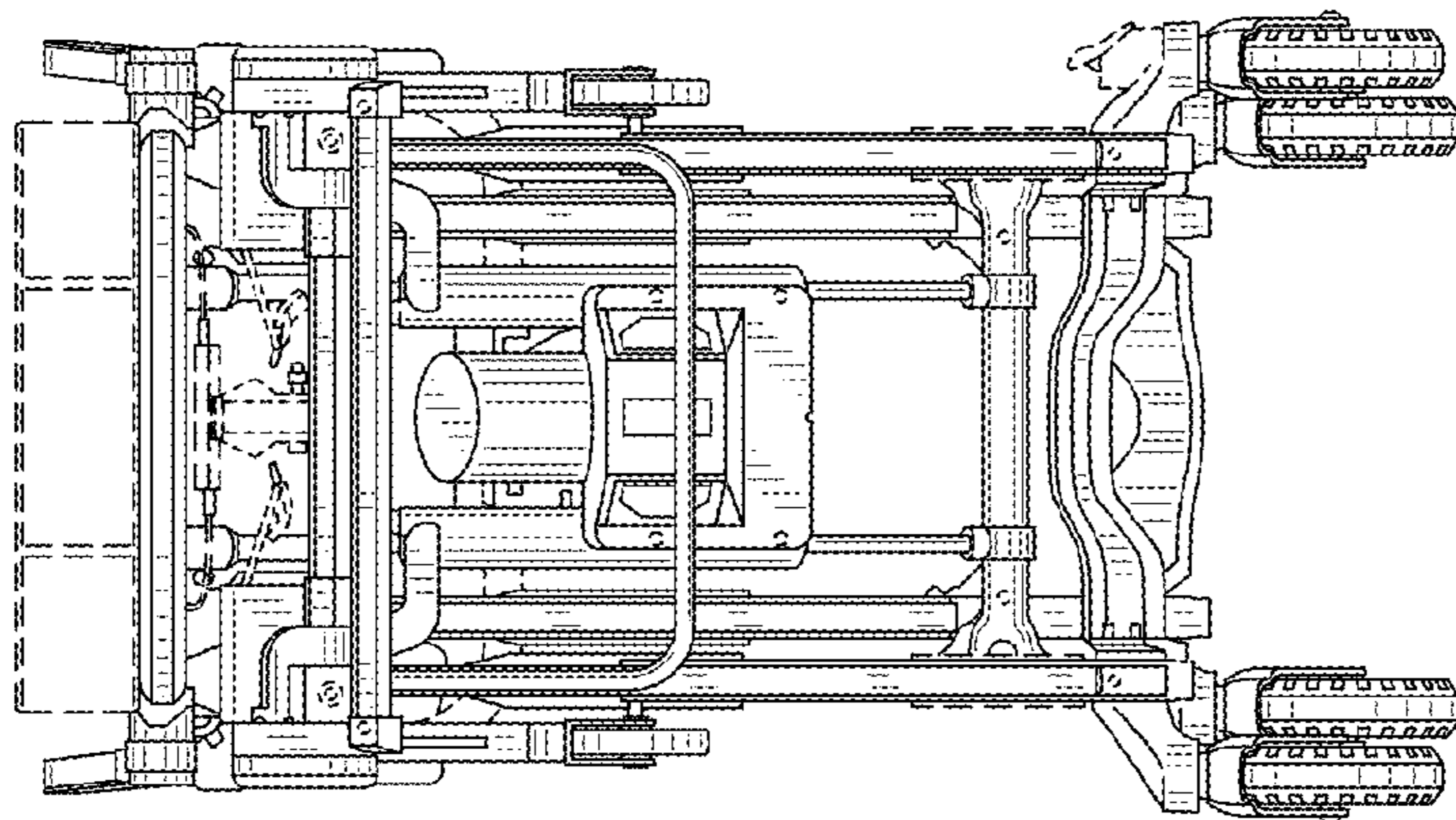


FIG. 3

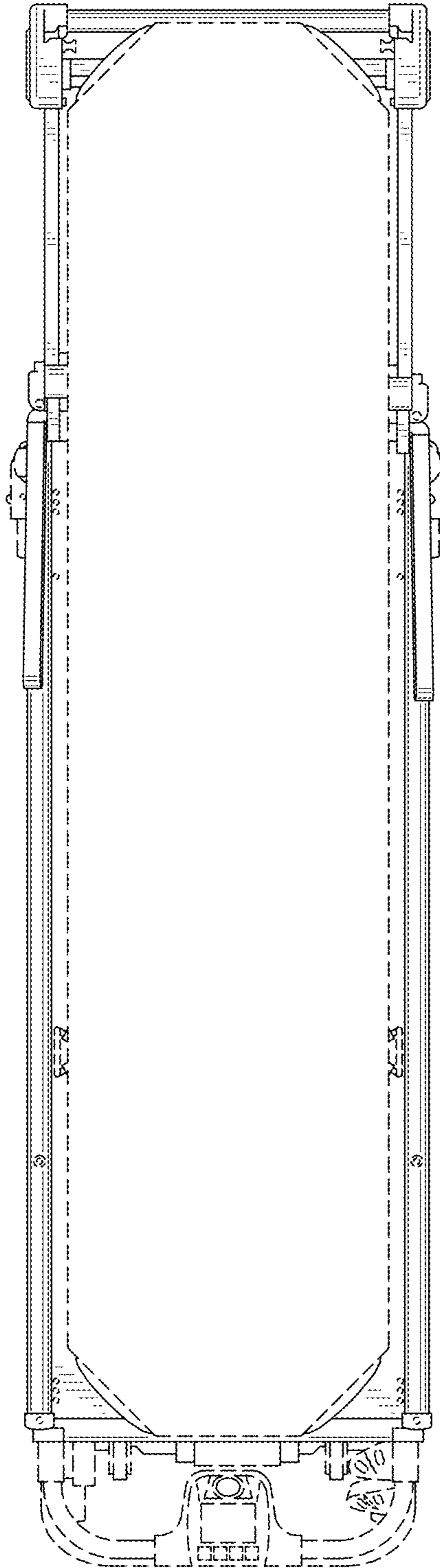


FIG. 5

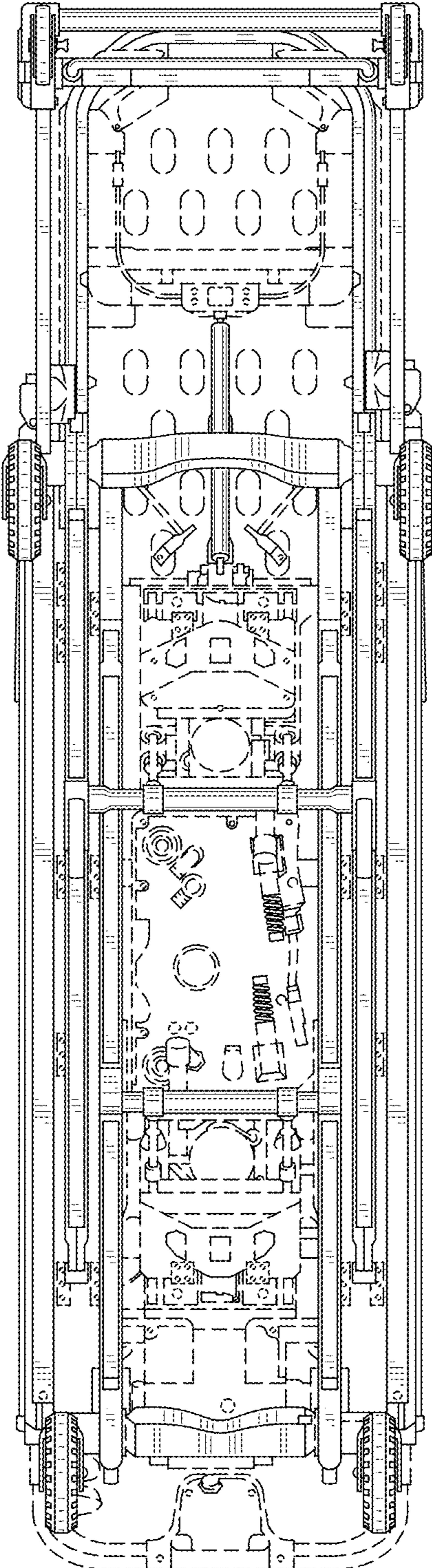


FIG. 6

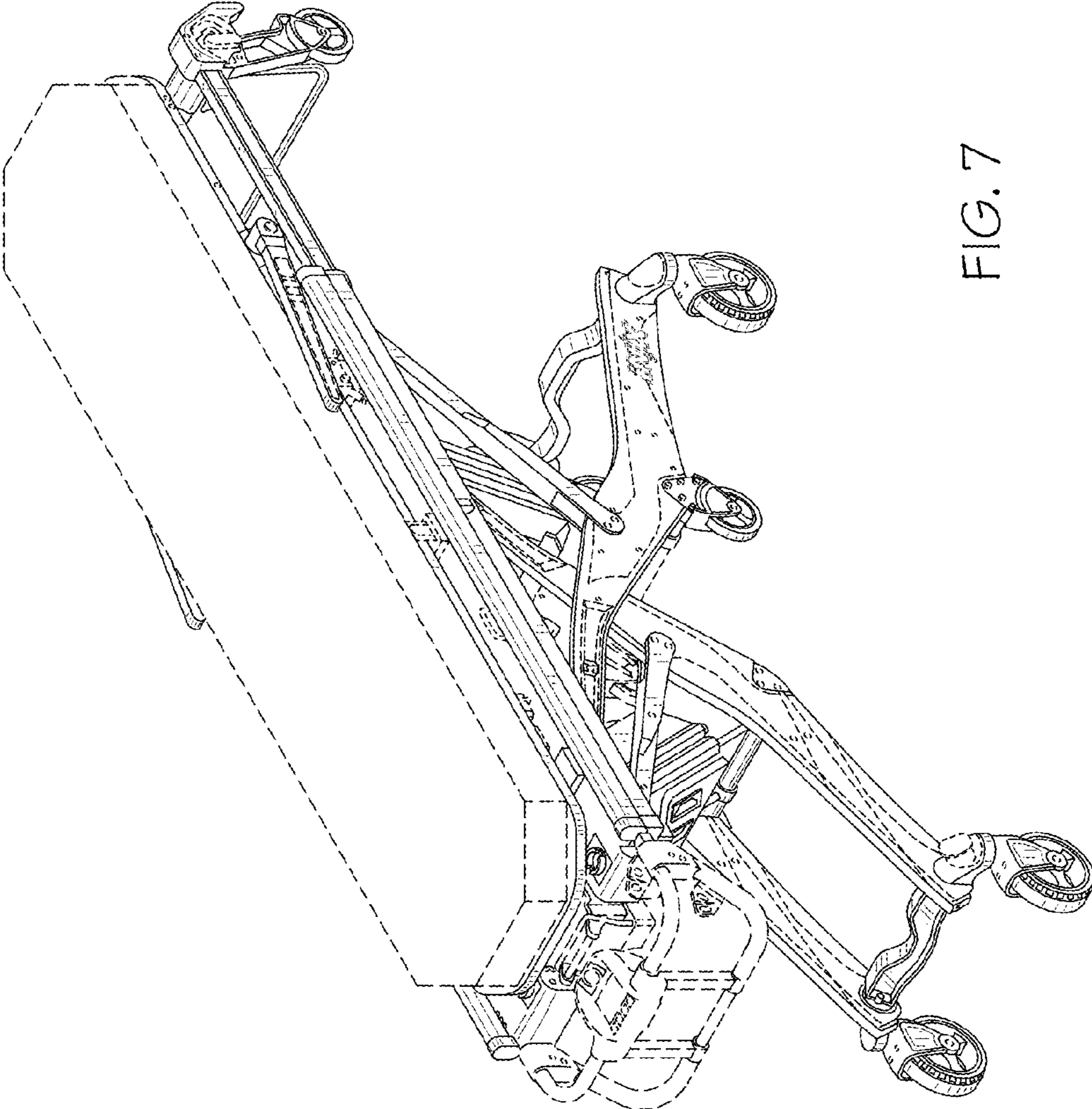


FIG. 7



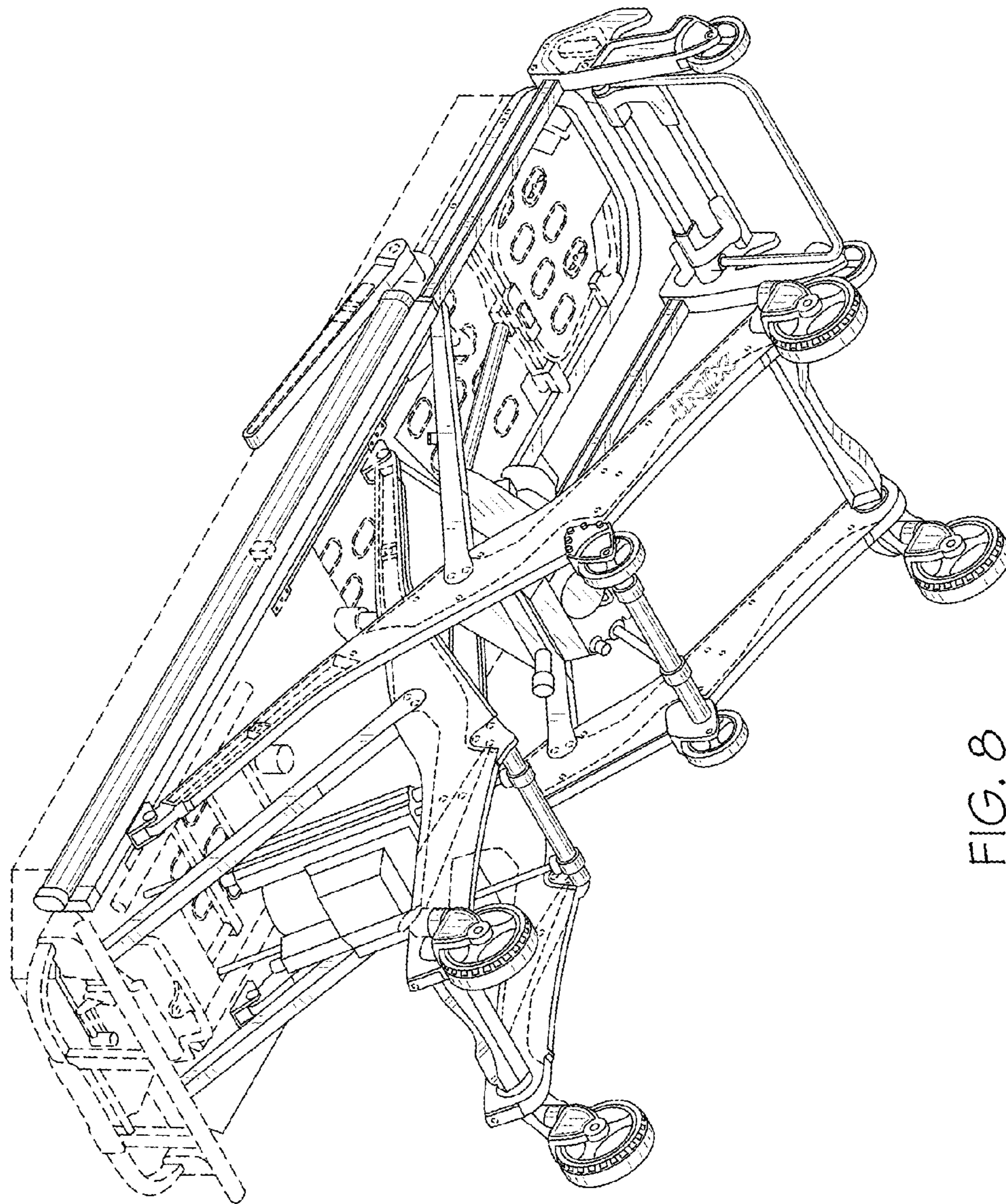


FIG. 8

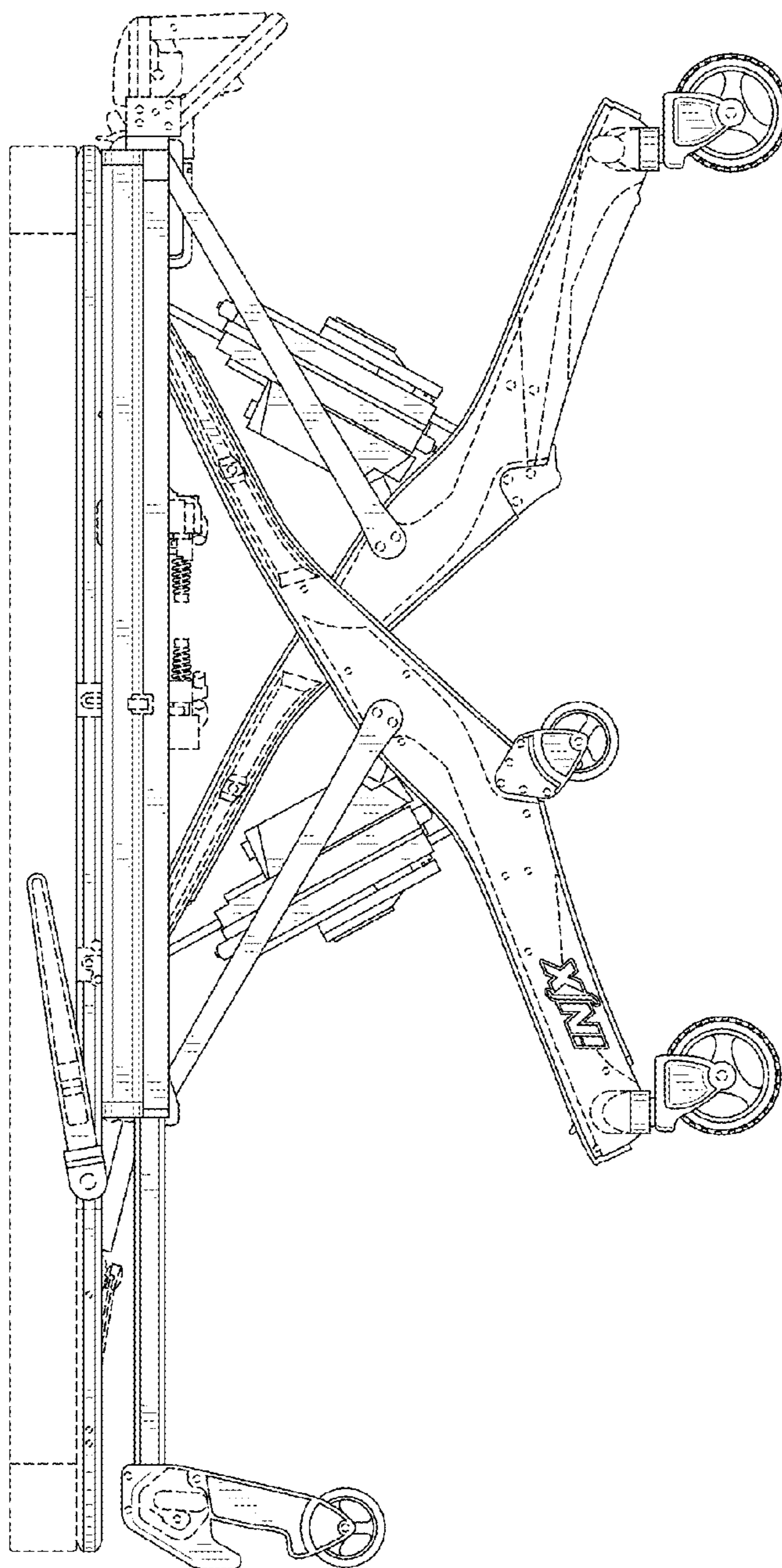


FIG. 9

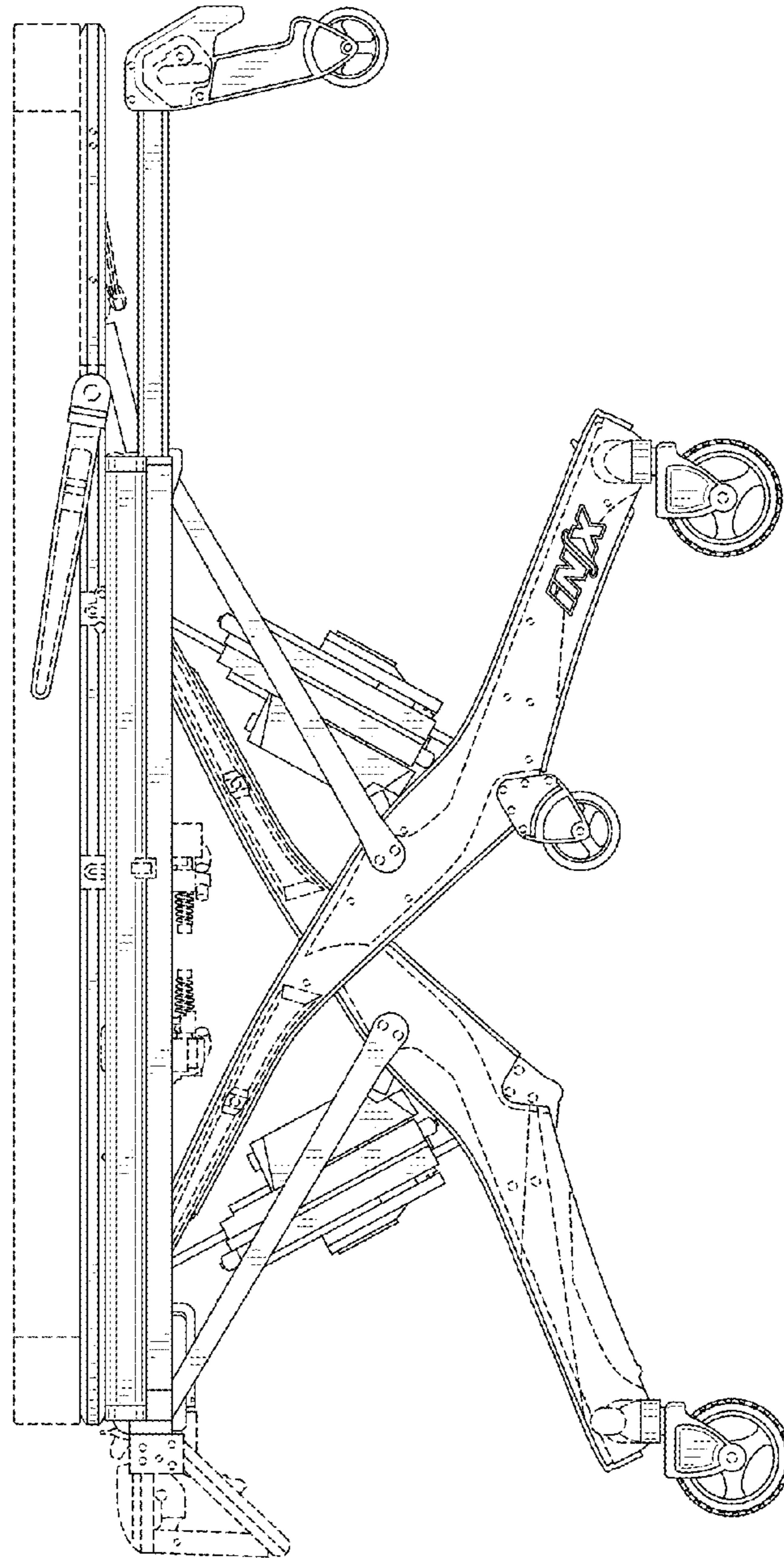


FIG. 10

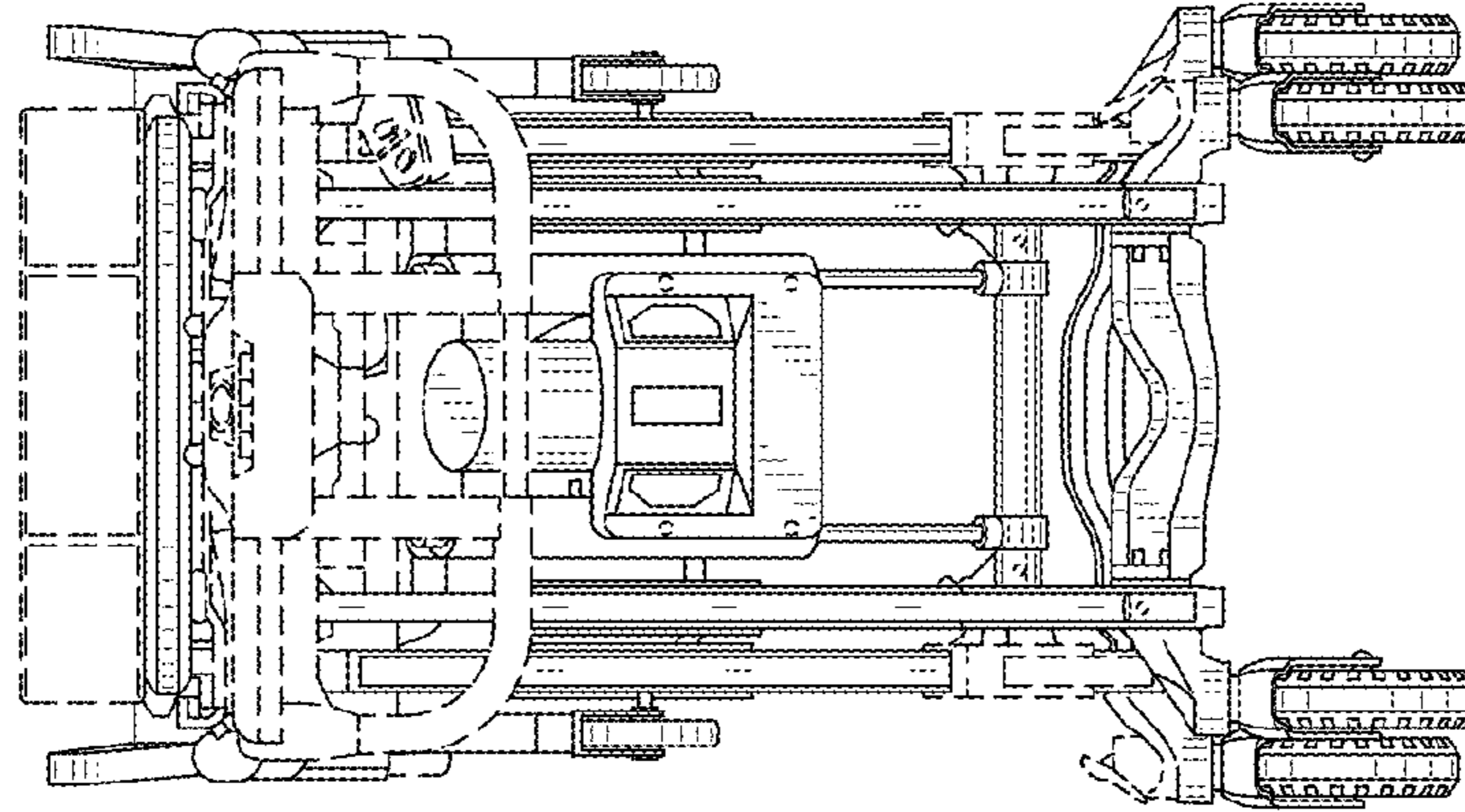


FIG. 12

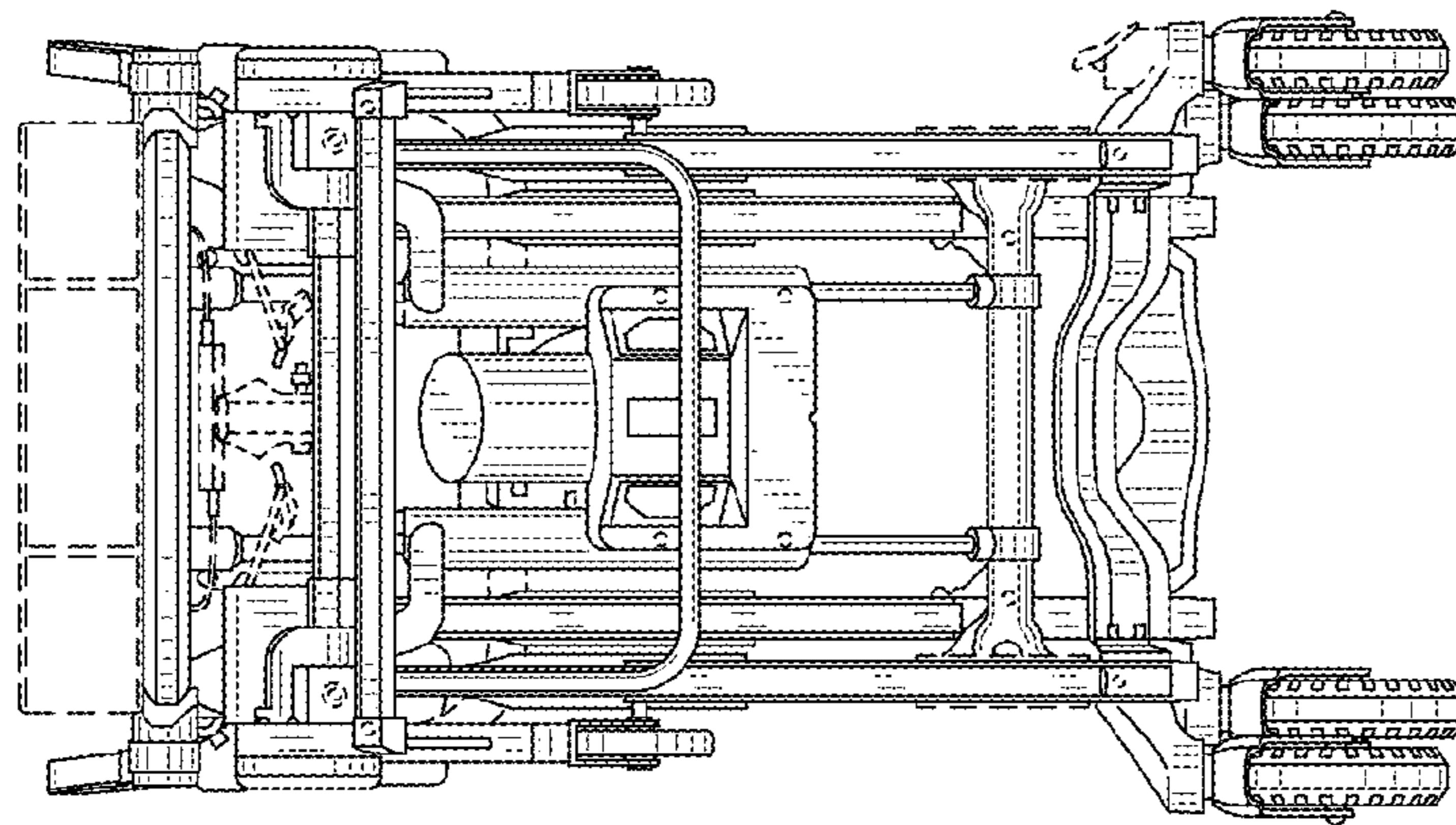


FIG. 11

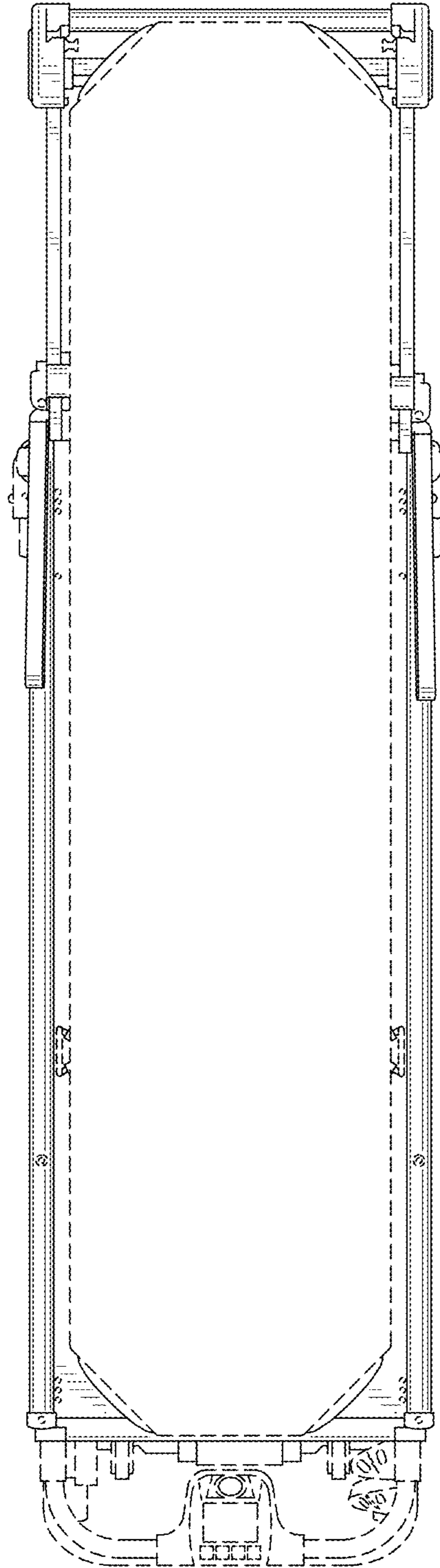


FIG. 13

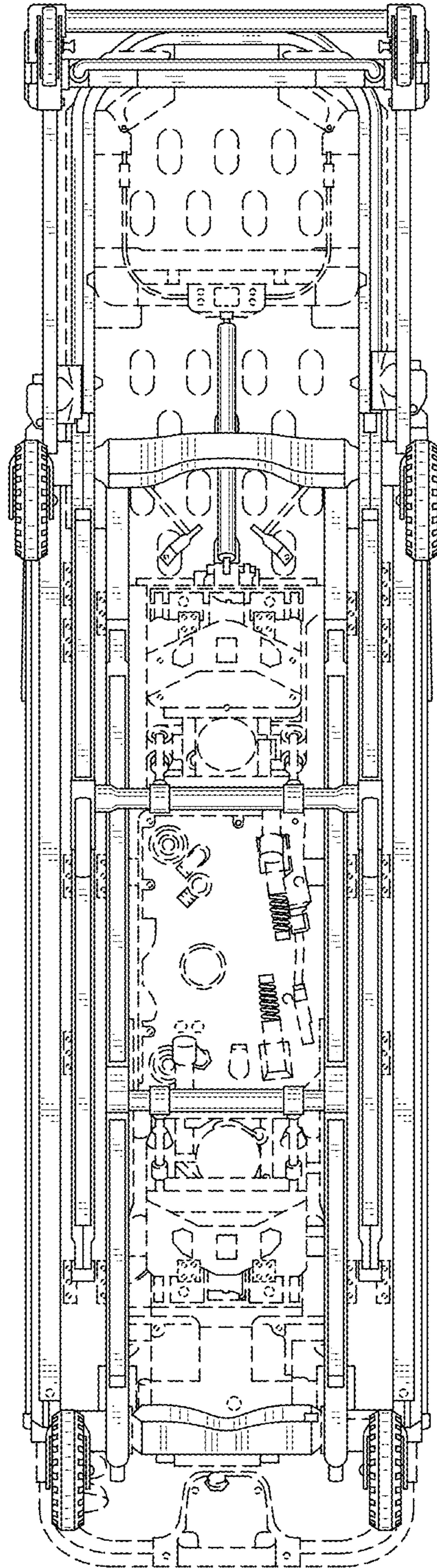


FIG. 14

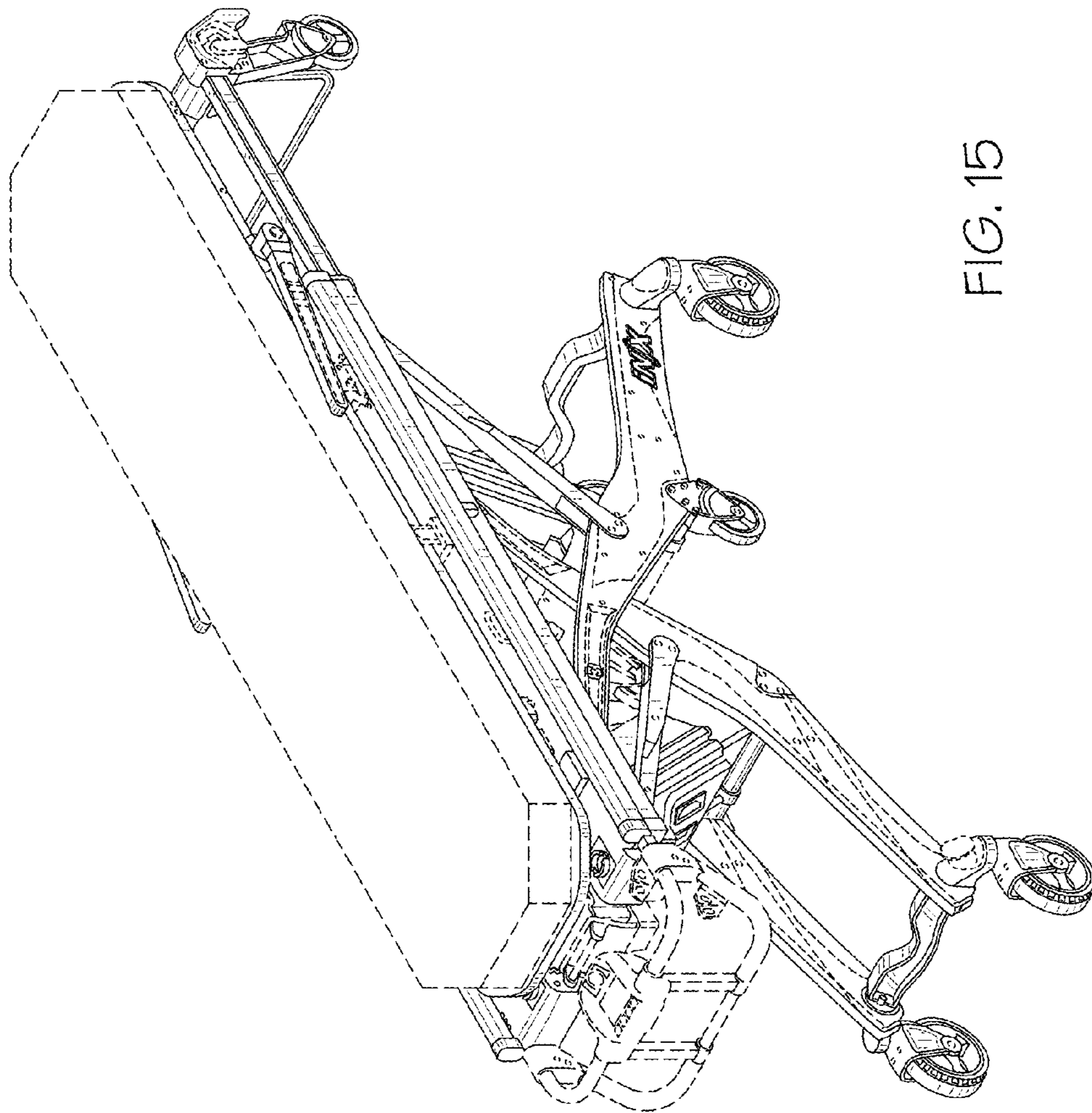


FIG. 15

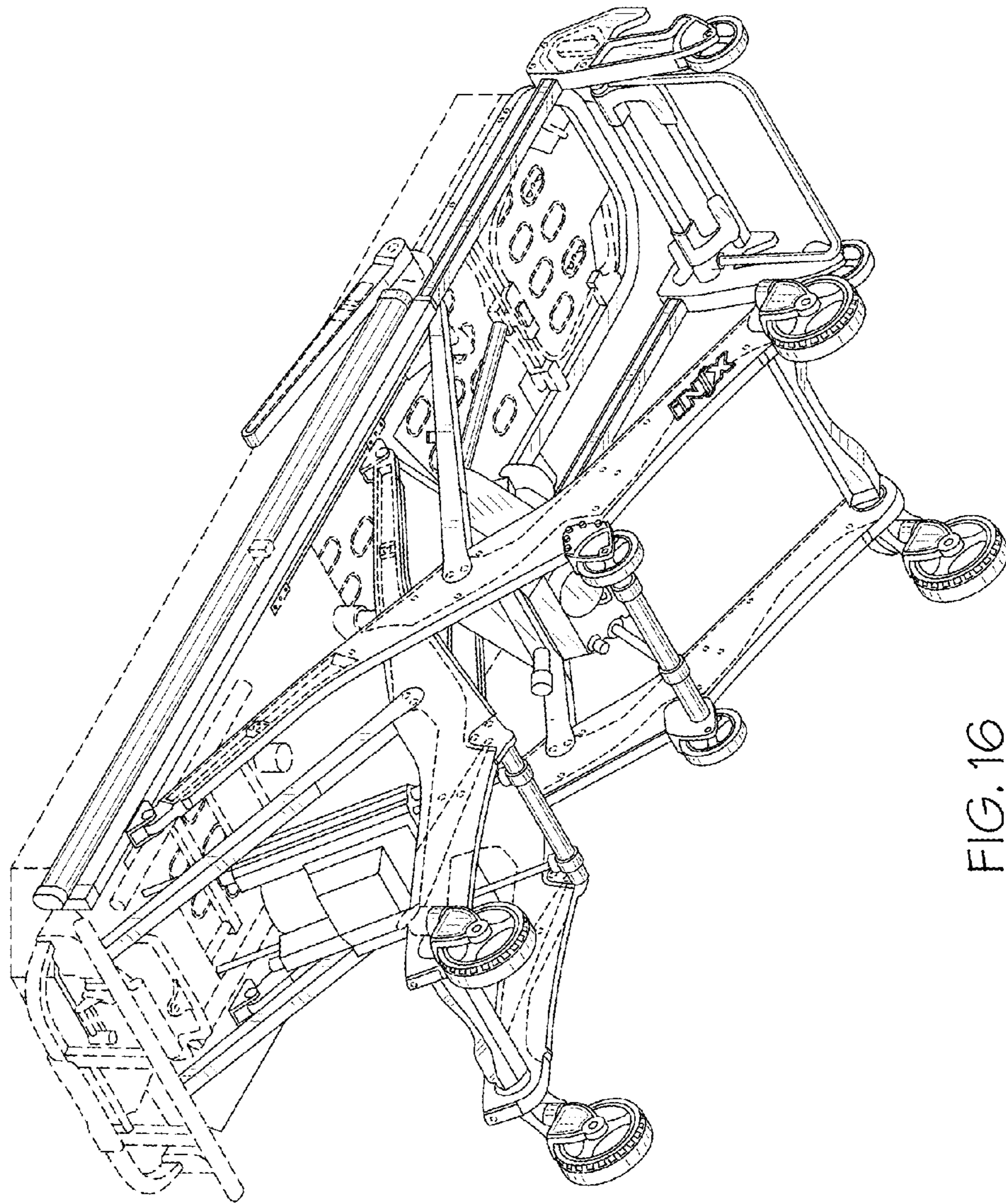


FIG. 16