



US00D729128S

(12) **United States Design Patent**  
**Forgét**

(10) **Patent No.:** **US D729,128 S**

(45) **Date of Patent:** **\*\* May 12, 2015**

(54) **MOTORCYCLE SIDE STAND BRACKET**

(71) Applicant: **Kurt Forgét**, Sandpoint, ID (US)

(72) Inventor: **Kurt Forgét**, Sandpoint, ID (US)

(\*\*) Term: **14 Years**

(21) Appl. No.: **29/488,581**

(22) Filed: **Apr. 21, 2014**

(51) **LOC (10) Cl.** ..... **12-11**

(52) **U.S. Cl.**  
USPC ..... **D12/114**

(58) **Field of Classification Search**  
CPC ..... B62H 1/00; B62H 1/02; B62H 1/04  
USPC ..... D12/107, 110, 114, 117, 223; D8/349,  
D8/354, 363, 373, 382; 280/288.4;  
248/200, 300, 304, 317, 339, 503;  
D15/143; D16/132

See application file for complete search history.

(56) **References Cited**

**U.S. PATENT DOCUMENTS**

D312,039 S *	11/1990	Smith	.....	D8/373
5,293,786 A *	3/1994	Hsu	.....	74/564
D375,718 S *	11/1996	Lazzeroni et al.	.....	D12/223
D479,793 S *	9/2003	Jones	.....	D8/349
D502,894 S *	3/2005	Matthies	.....	D12/114
D519,887 S *	5/2006	Files	.....	D12/114
D523,802 S *	6/2006	Reimitz	.....	D12/223
D558,192 S *	12/2007	Daly et al.	.....	D14/251
7,396,055 B2 *	7/2008	Arneson et al.	.....	292/340
D601,062 S *	9/2009	Garland	.....	D12/114
D683,565 S *	6/2013	Chou	.....	D6/580
D685,686 S *	7/2013	Pirolo et al.	.....	D12/114
D704,667 S *	5/2014	Sharpe et al.	.....	D13/155

**OTHER PUBLICATIONS**

“KTM 950/990 ADV—950 SE Kickstand Relocation Bracket .”  
Adventure Rider—Ride the World., Jul. 8, 2009 [online], [retrieved  
on Oct. 15, 2014]. Retrieved from the Internet <URL: <http://www.advrider.com/forums/showthread.php?t=515999>>.\*

“Custom Motorcycle Kickstands.” Pro Moto Billet., Oct. 30, 2013  
[online], [retrieved on Oct. 15, 2014]. Retrieved from the Internet  
<URL: <http://www.promotobillet.com/p-18131-kickstands.html>>.\*

(Continued)

*Primary Examiner* — Philip S Hyder

*Assistant Examiner* — Darlington Ly

(74) *Attorney, Agent, or Firm* — Allen D. Hertz, P.A.; Allen D. Hertz

(57) **CLAIM**

I claim the ornamental design for a motorcycle side stand bracket, as shown and described.

**DESCRIPTION**

FIG. 1 is a right side elevation view of a motorcycle side stand bracket;

FIG. 2 is a front and right side isometric view thereof;

FIG. 3 is a left side elevation view thereof;

FIG. 4 is a front and left side isometric view thereof;

FIG. 5 is a front view thereof;

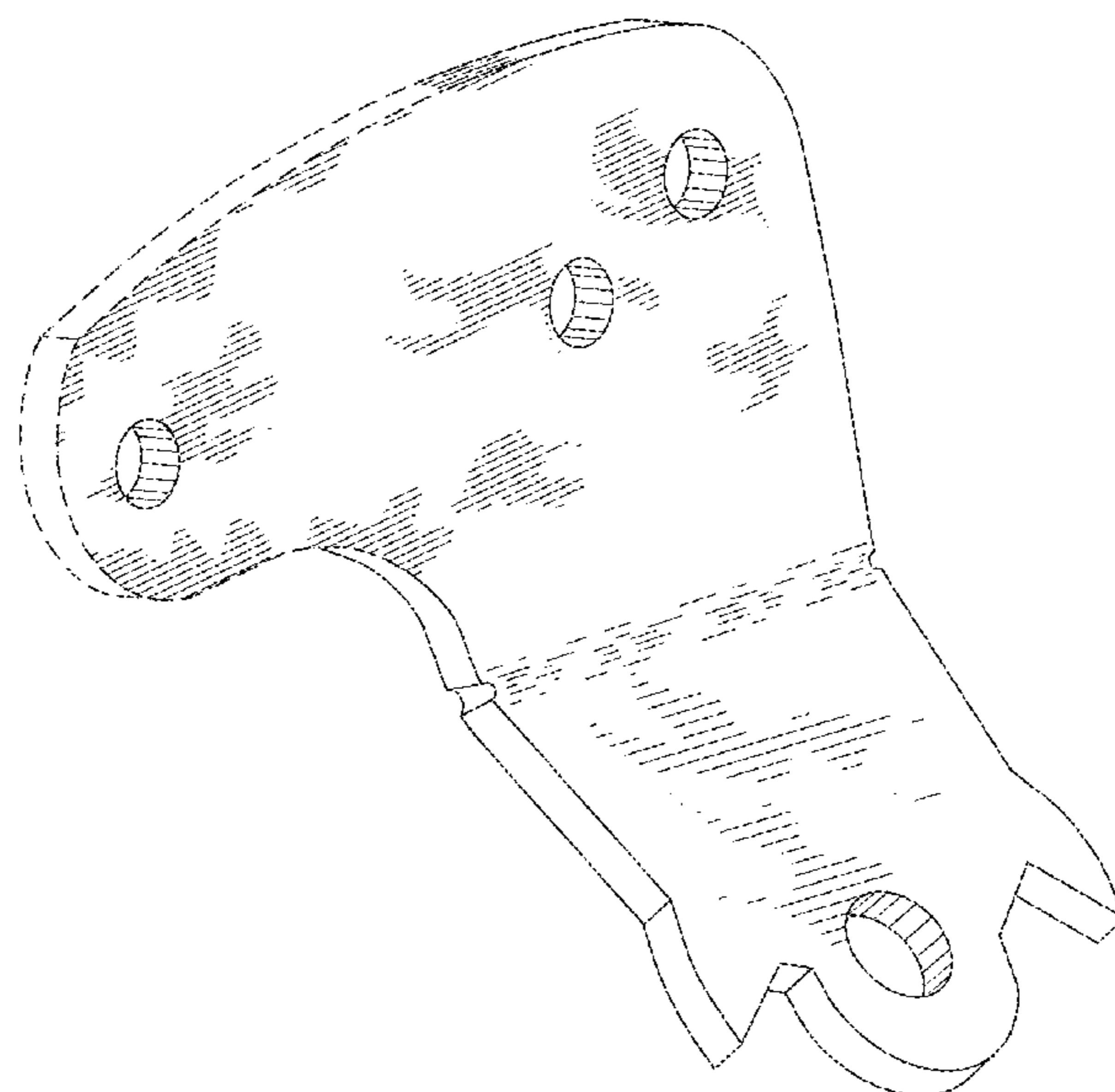
FIG. 6 is a rear view thereof;

FIG. 7 is a top view thereof; and,

FIG. 8 is a bottom view thereof.

The evenly broken lines in the drawings illustrate portions of the design that form no part of the claim, including a portion of an outline of the bracket and a spring attachment pin.

**1 Claim, 8 Drawing Sheets**



(56)

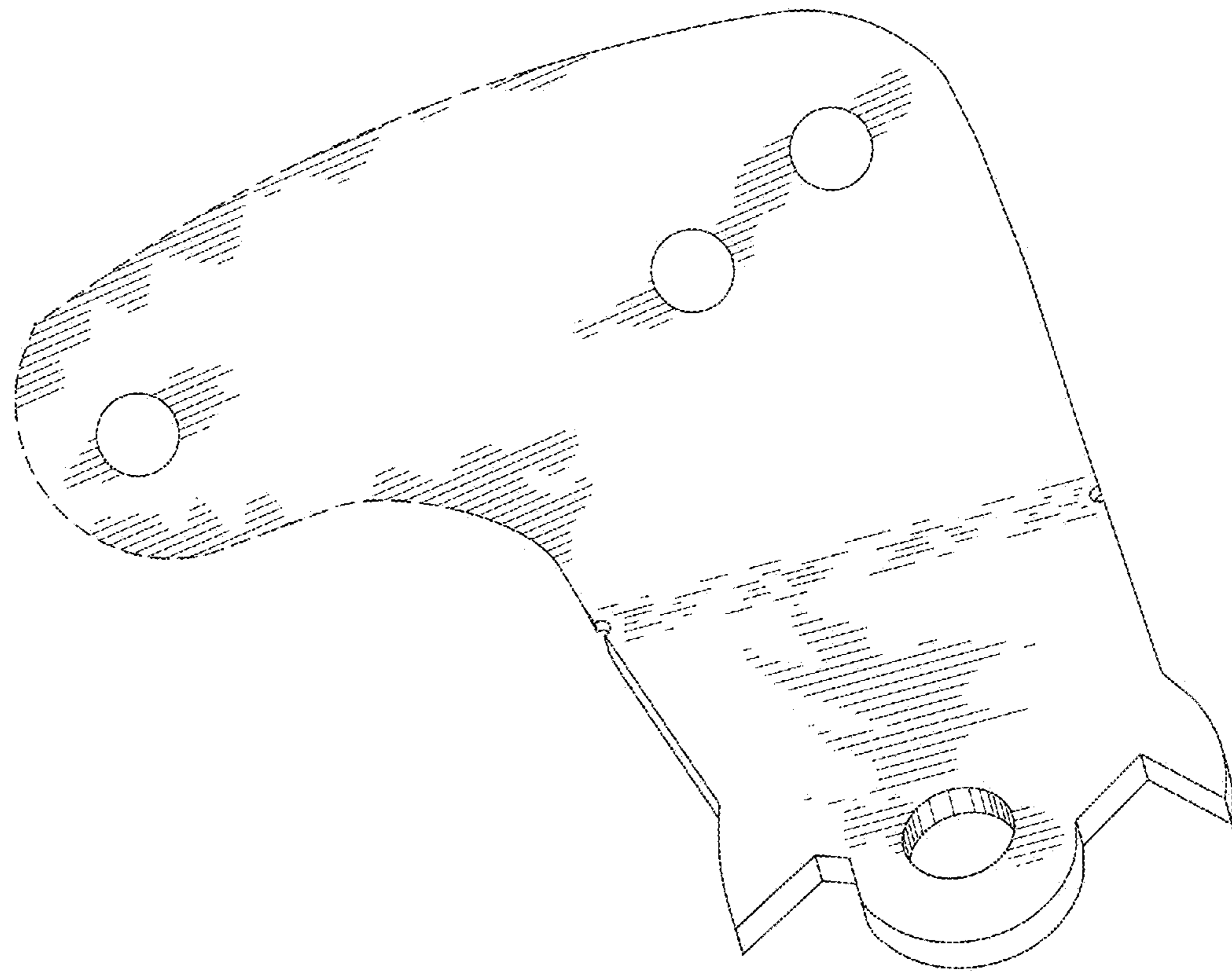
**References Cited**

OTHER PUBLICATIONS

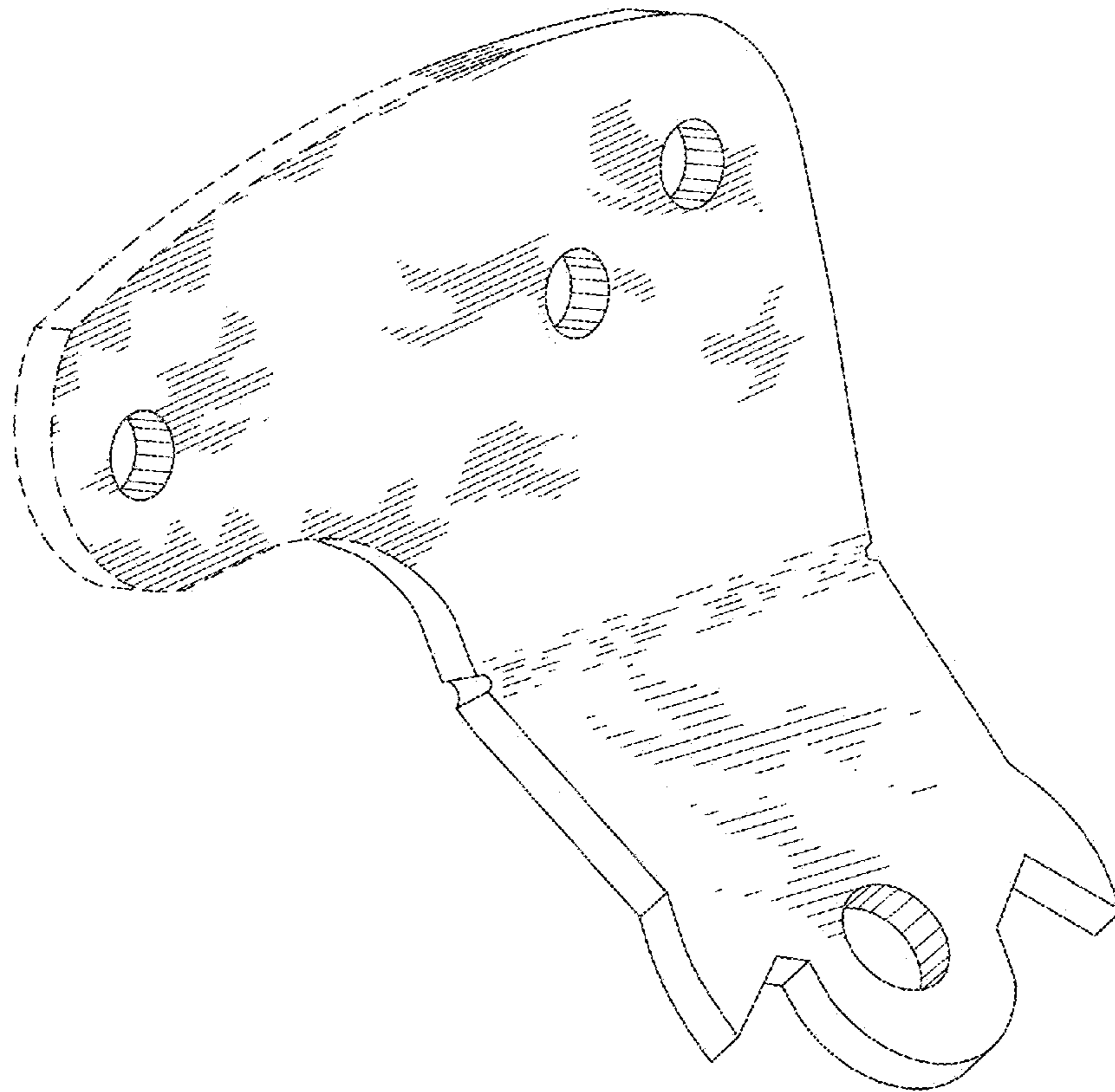
“Jiffy Stand Extension Kit-50250-04.” Harley-Davidson., Aug. 4, 2010 [online], [retrieved on Oct. 15, 2014]. Retrieved from the Internet <URL: <http://www.harley-davidson.com/store/jiffy-stand-extension-kit-50250-04>>.\*

“Drop-Down Kickstand Bracket.” Still Kicking Moto., Aug. 7, 2014 [online], [retrieved on Oct. 15, 2014]. Retrieved from the Internet <URL: <http://stillkickingmoto.bigcartel.com/product/drop-down-kickstand-bracket>>.\*

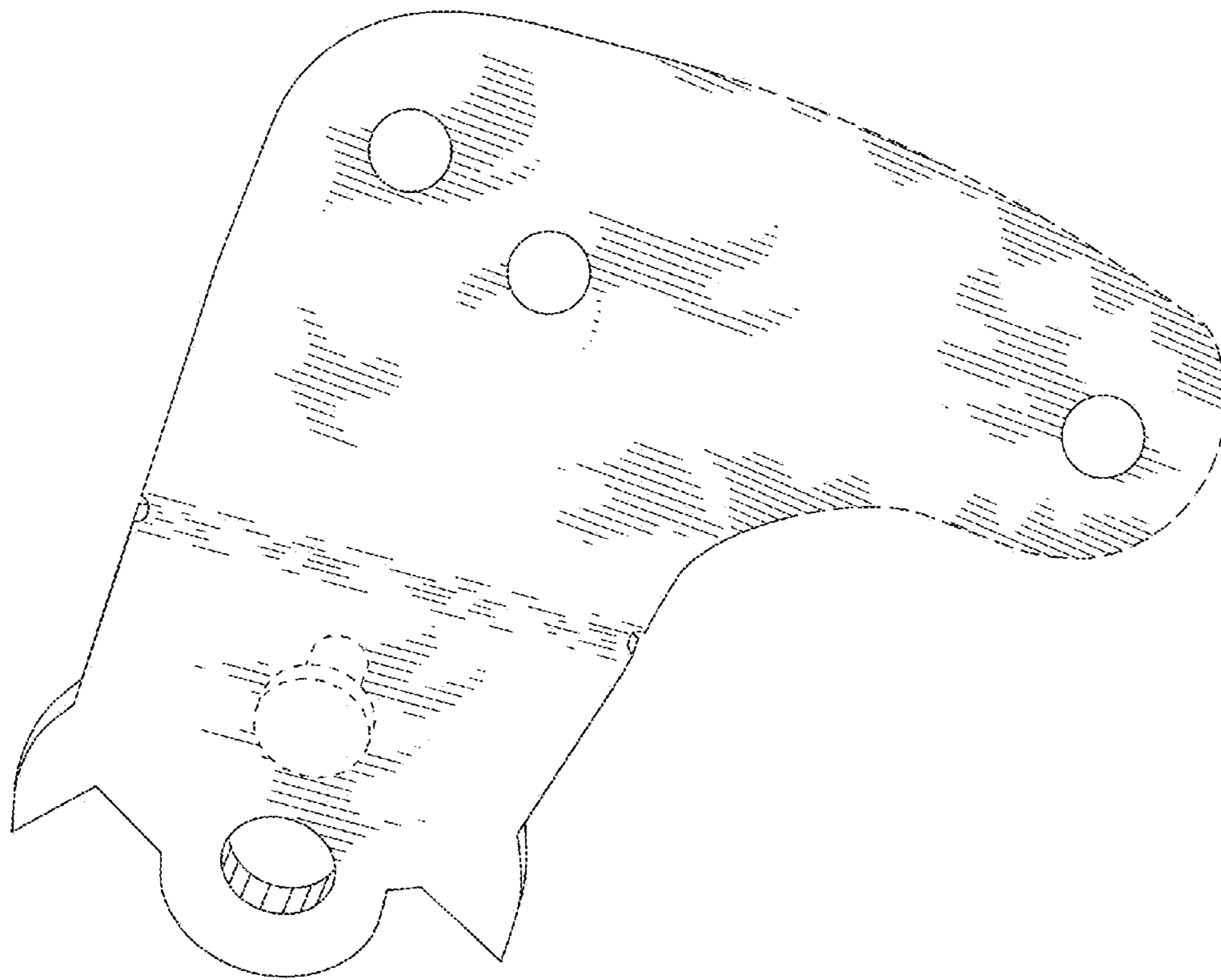
\* cited by examiner



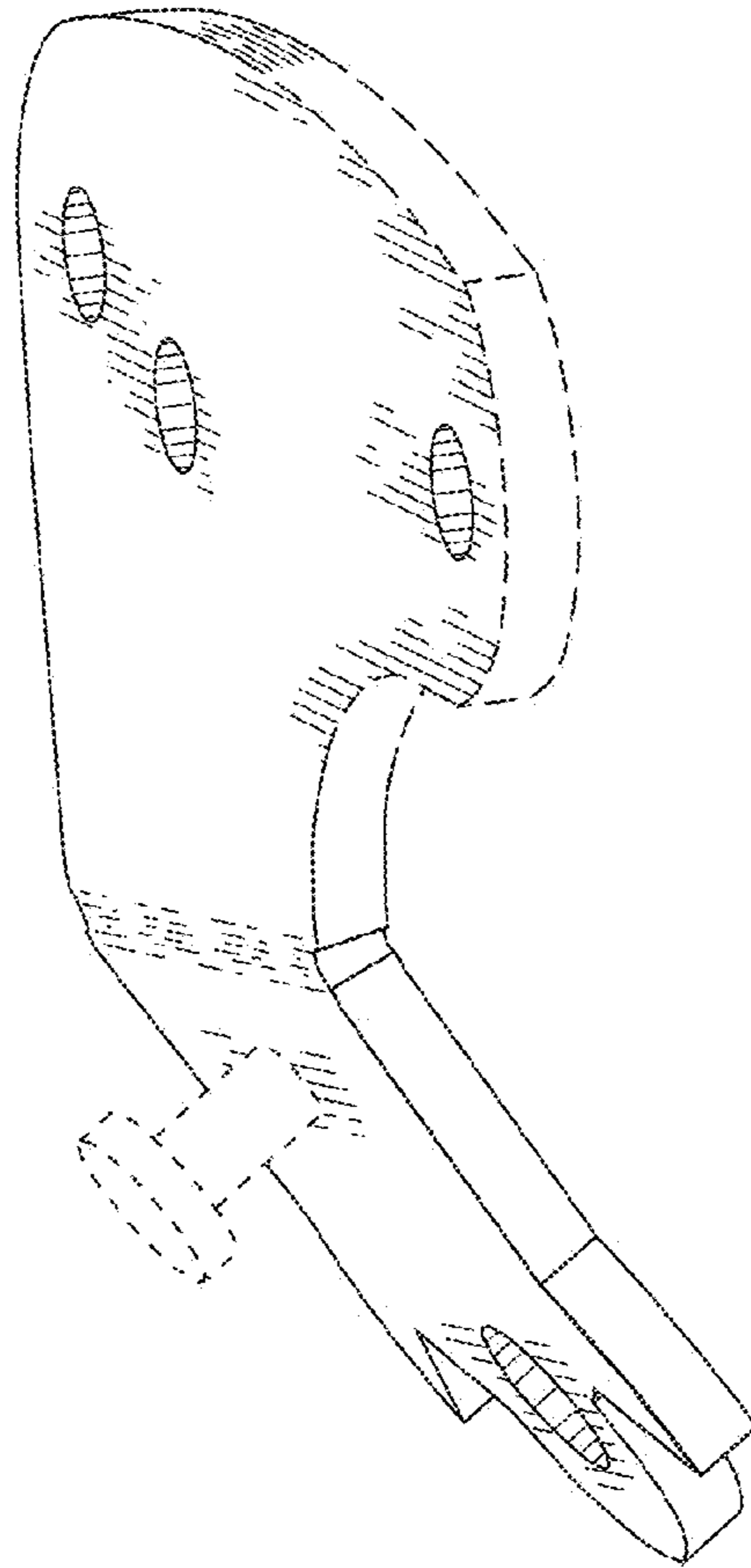
**FIG. 1**



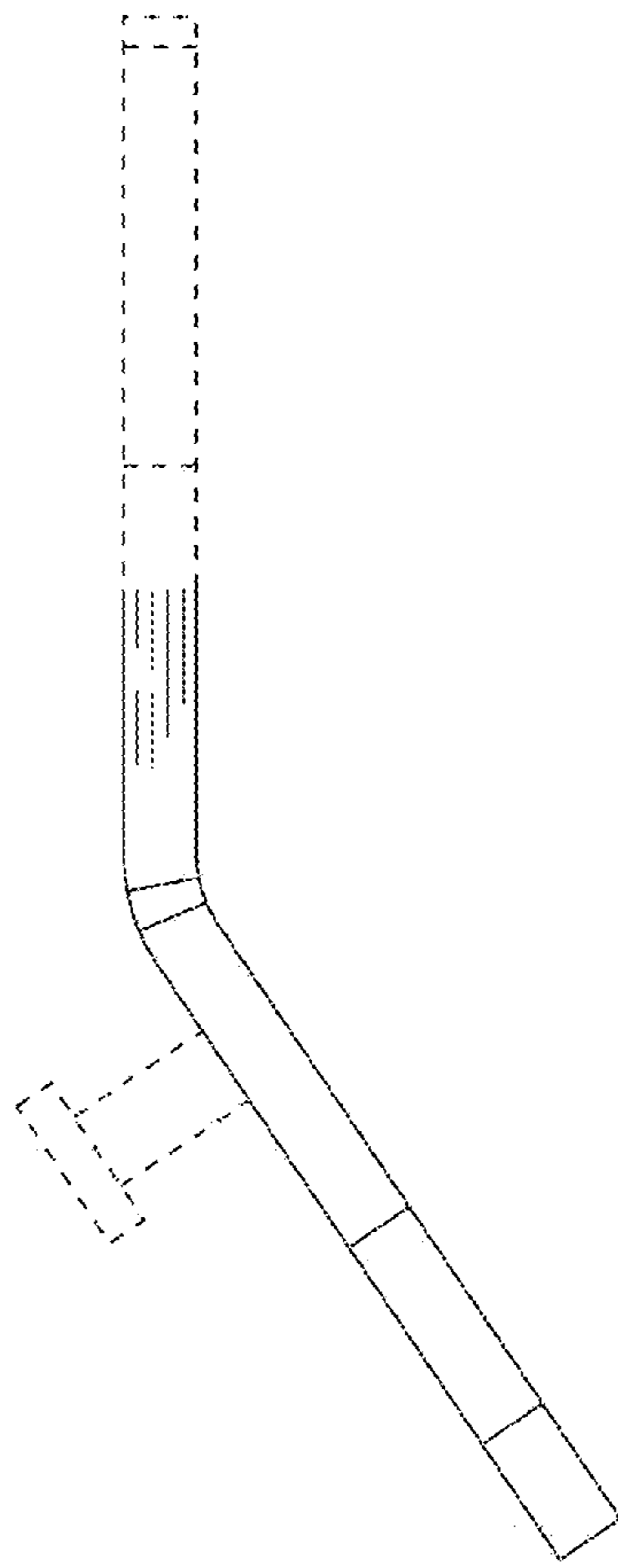
**FIG. 2**



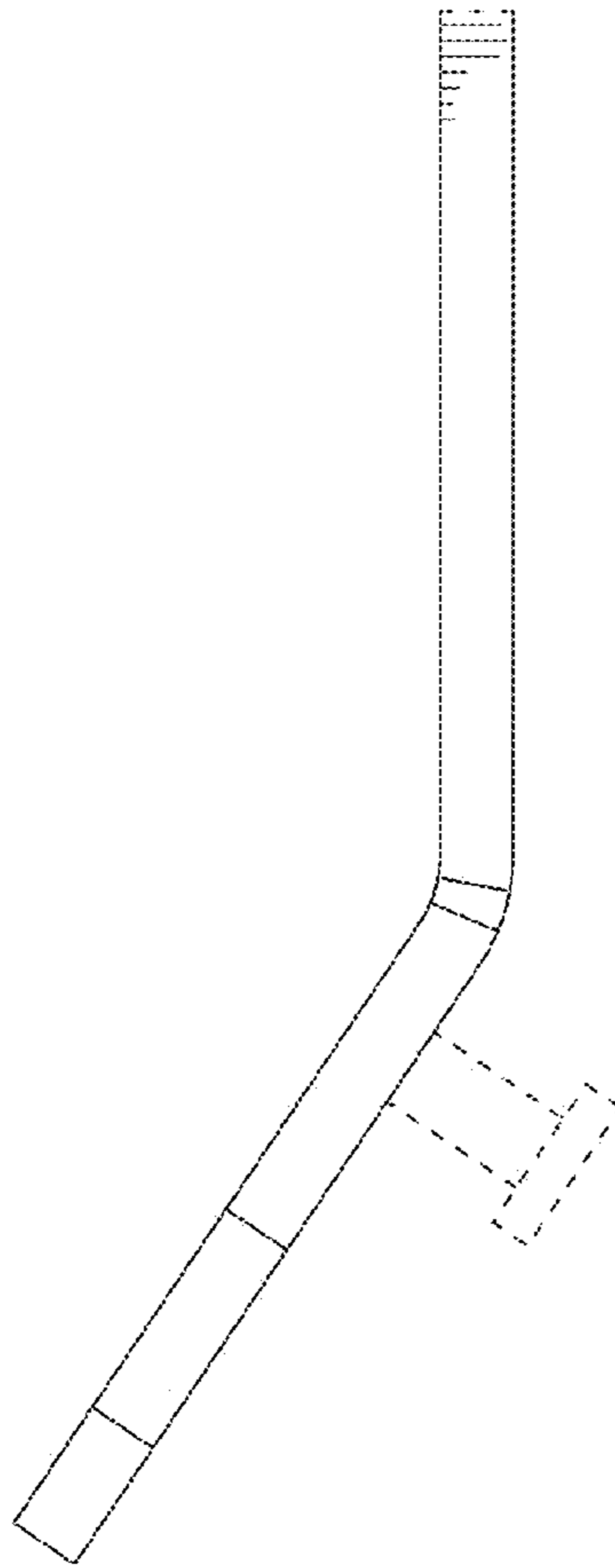
**FIG. 3**



**FIG. 4**

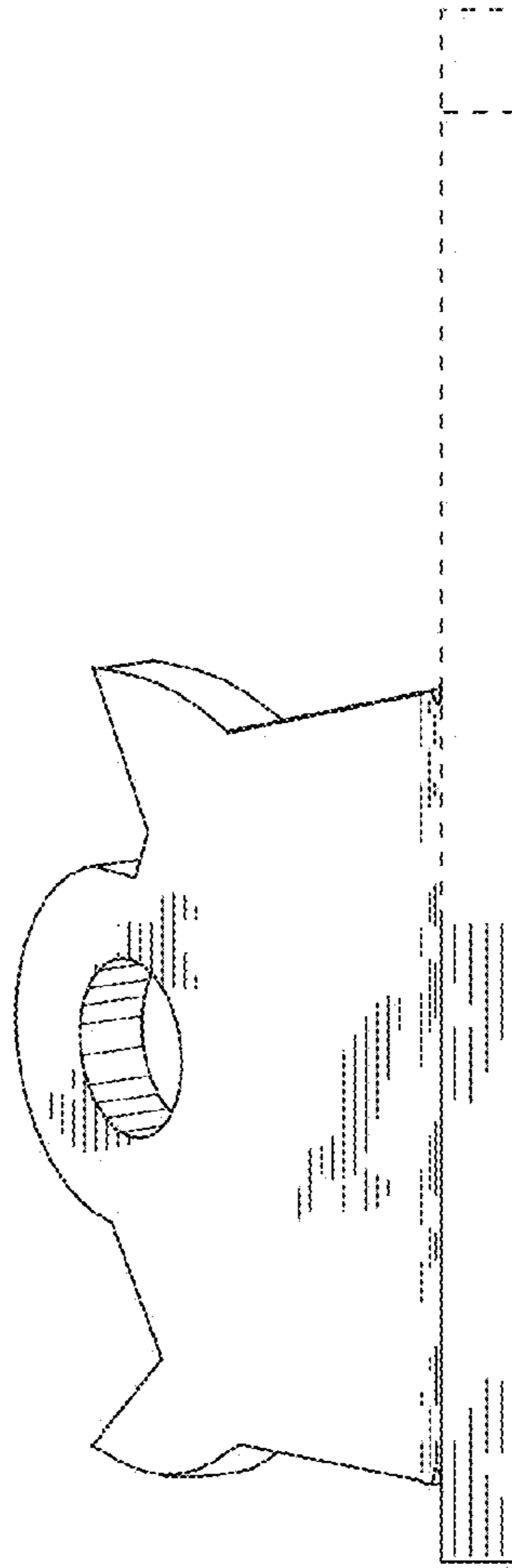


**FIG. 5**

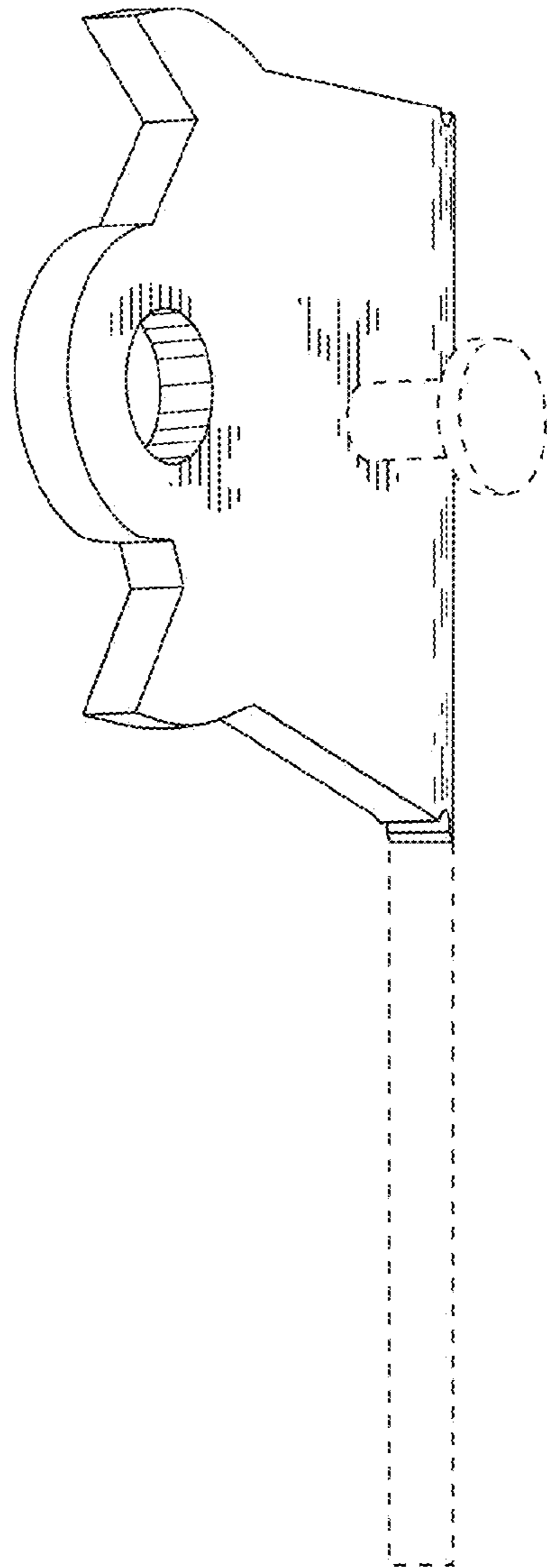


**FIG. 6**





**FIG. 7**



**FIG. 8**