



US00D729126S

(12) **United States Design Patent**
Baron

(10) **Patent No.:** **US D729,126 S**

(45) **Date of Patent:** **** May 12, 2015**

(54) **CANOPY FOR TRICYCLE**

(71) Applicant: **Smart Trike MNF Pte Ltd.**, Singapore (SG)

(72) Inventor: **Yoram Baron**, Moshav Nir Israel (IL)

(73) Assignee: **Smart Trike MNF Pte Ltd.**, Singapore (SG)

(**) Term: **14 Years**

(21) Appl. No.: **29/472,750**

(22) Filed: **Nov. 15, 2013**

(30) **Foreign Application Priority Data**

May 30, 2013 (IL) 54073

(51) **LOC (10) Cl.** **12-11**

(52) **U.S. Cl.**
USPC **D12/114**

(58) **Field of Classification Search**

USPC D12/112, 107, 113; D34/24; D21/435, D21/667; 280/282, 259, 288.4, 210, 62, 280/278, 279, 287, 288, 270, 263, 7.17, 280/47.38, 7.15, 47.26, 47.18, 7.1, 87.1, 280/240, 211, 242.1, 291, 295, 32.5, 621, 280/622, 623, 624, 625, 626, 627, 628, 629, 280/200, 47.34, 272, 292, 293, 87.01, 249, 280/87.041, 1.188, 304.5, 47.11, 30, 280/47.371; 301/110.5, 2.5, 6.5; 74/594.1, 74/551.8; 315/313; 362/184, 543; 297/215.14, 344.11, 184.1; 273/129 R, 273/118 R; 293/120, 127; 403/57, 22, 282, 403/368; 446/465, 94; 135/117, 125, 155, 135/88.04; 248/160

See application file for complete search history.

(56) **References Cited**

U.S. PATENT DOCUMENTS

D347,111	S	*	5/1994	Wheeler	D3/1
6,173,725	B1	*	1/2001	Garth	135/87
8,313,118	B2	*	11/2012	Aiken et al.	280/288.4
2006/0024165	A1	*	2/2006	Gajewski	416/210 R
2011/0278815	A1	*	11/2011	Khare et al.	280/279
2014/0044548	A1	*	2/2014	Wang	416/214 R
2014/0217696	A1	*	8/2014	Bartels	280/274

* cited by examiner

Primary Examiner — Robert M Spear

Assistant Examiner — Ryan Harvey

(74) *Attorney, Agent, or Firm* — Roach Brown McCarthy & Gruber, P.C.; Kevin D. McCarthy

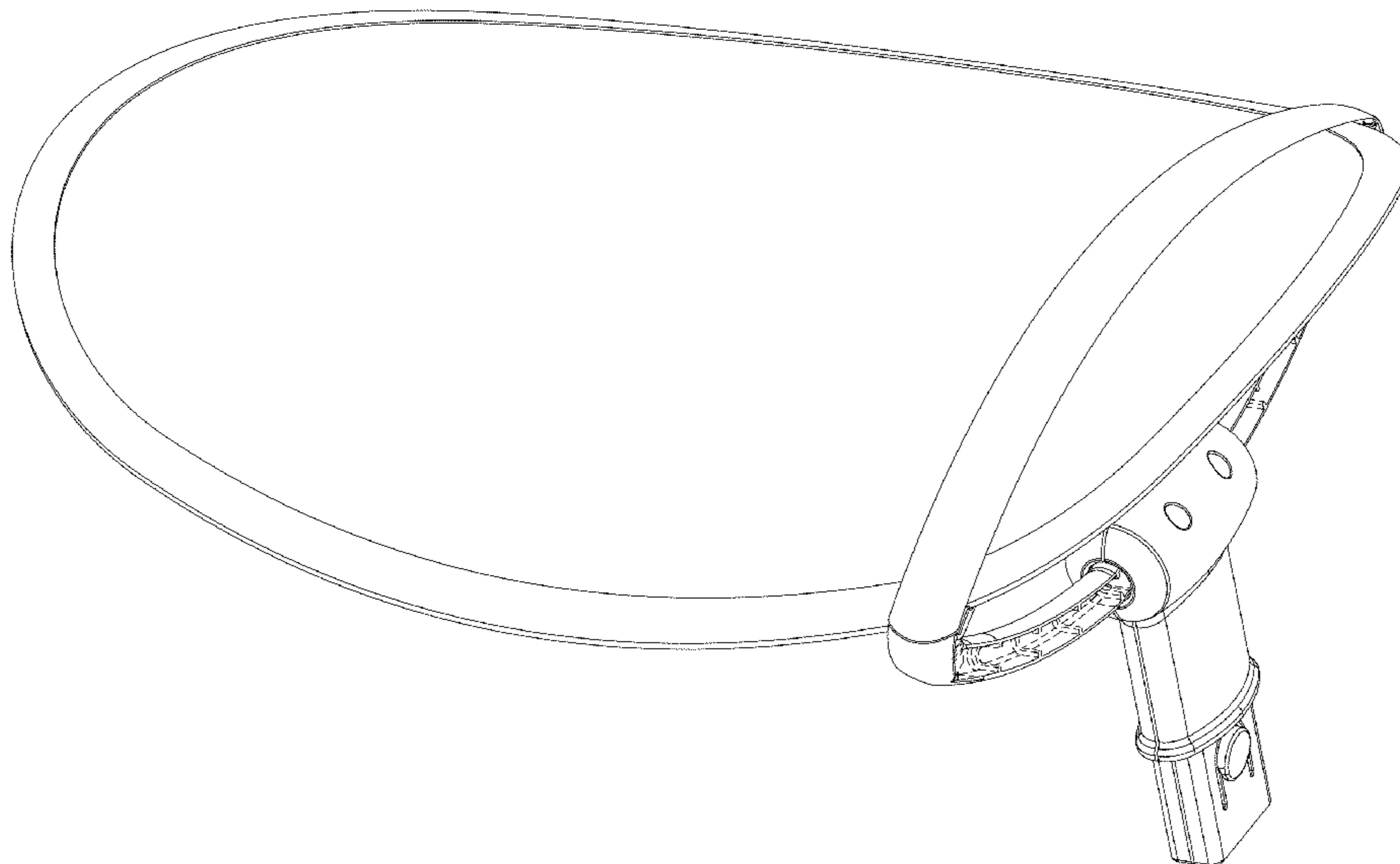
(57) **CLAIM**

The ornamental design for a canopy for tricycle, as shown and described.

DESCRIPTION

FIG. 1 is a perspective view of the back, top, left side view of a canopy for tricycle of the applicant's design;
FIG. 2 is a top view thereof;
FIG. 3 is a bottom view thereof;
FIG. 4 is a front side view thereof;
FIG. 5 is a back side view thereof;
FIG. 6 is a right side view thereof;
FIG. 7 is a left side view thereof; and,
FIG. 8 is a left side view of the canopy on a tricycle.
In the drawings, the dashed lines represent unclaimed environmental subject matter and form no part of the claim.

1 Claim, 8 Drawing Sheets



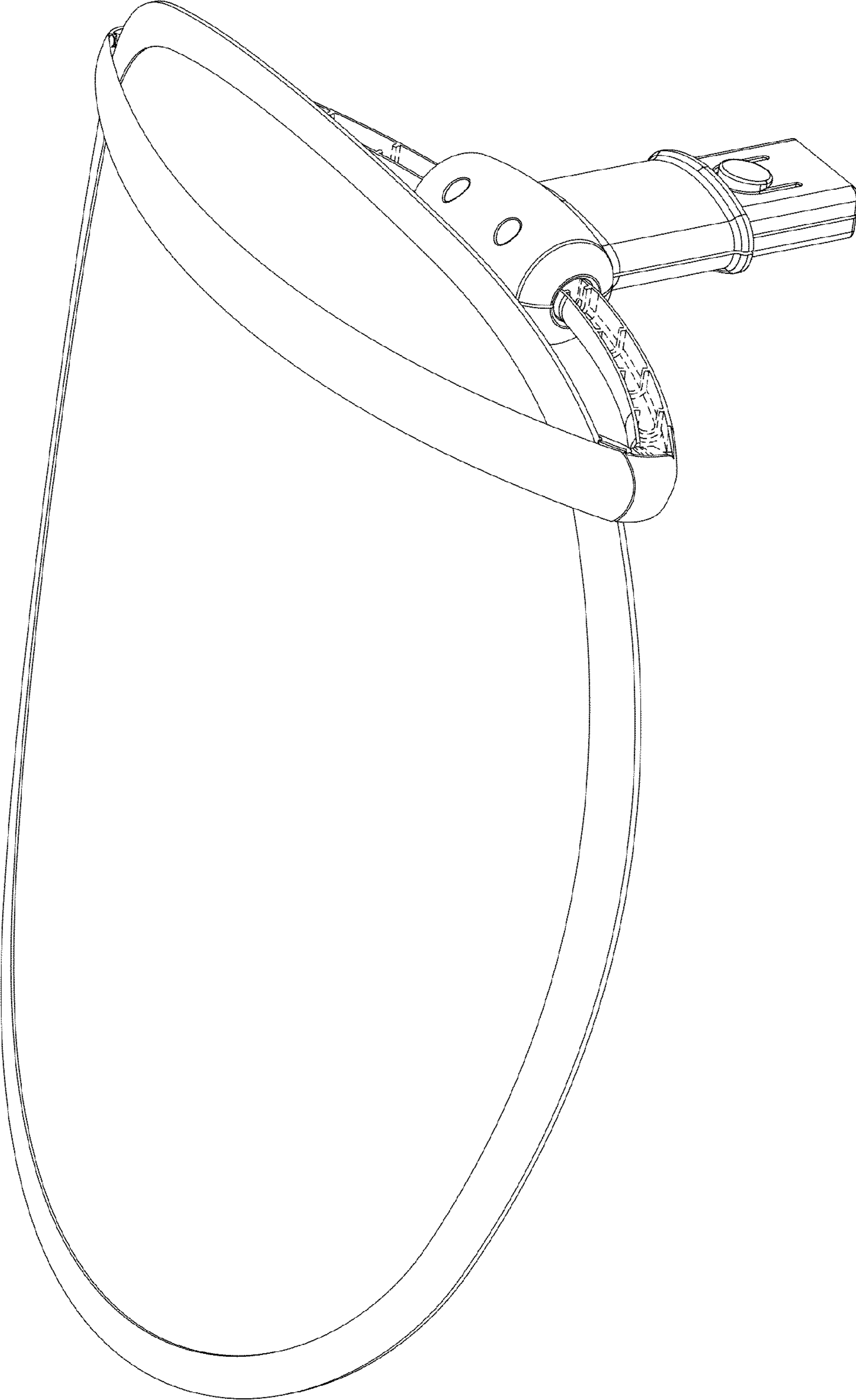


FIG. 1

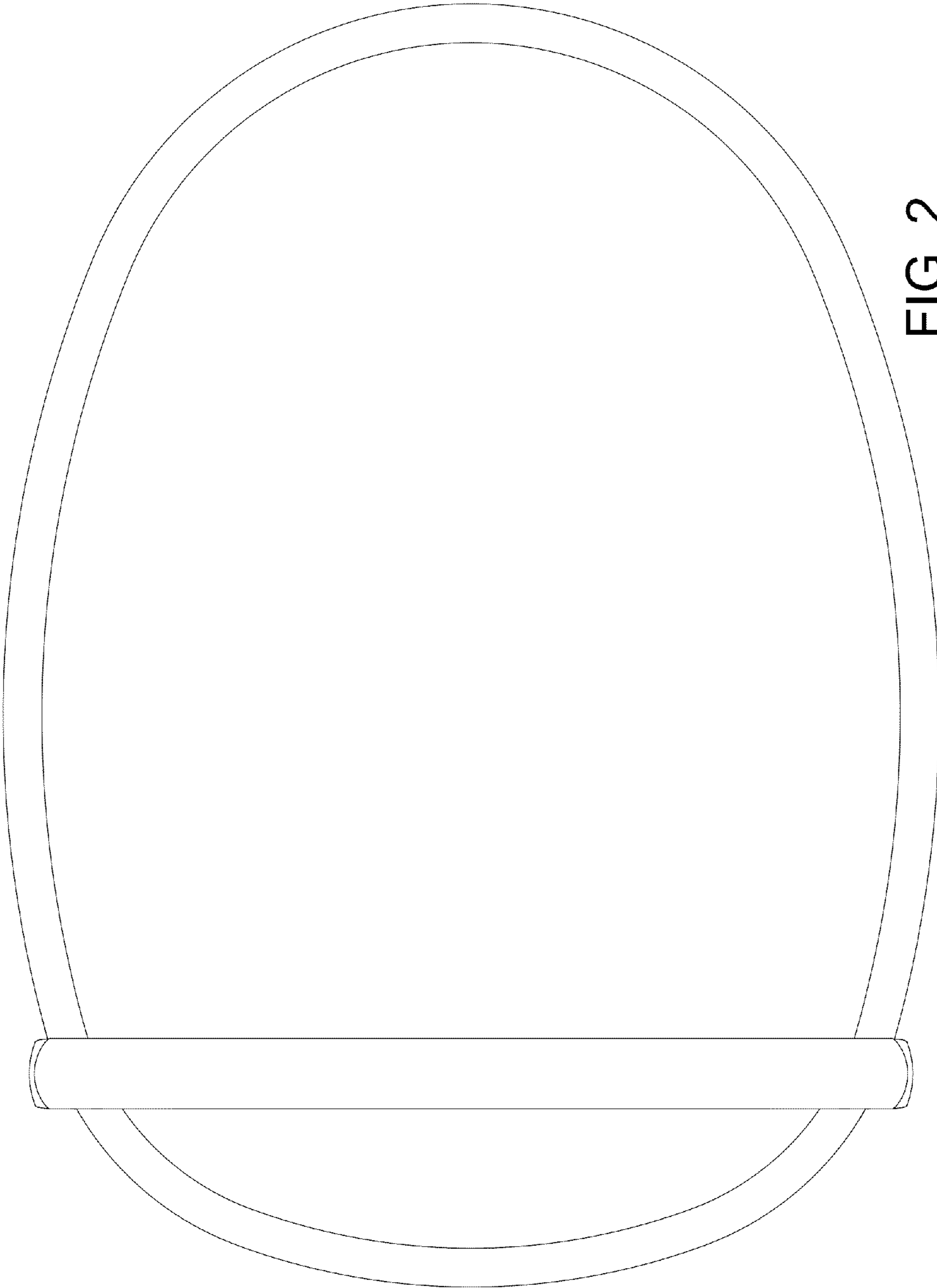


FIG. 2

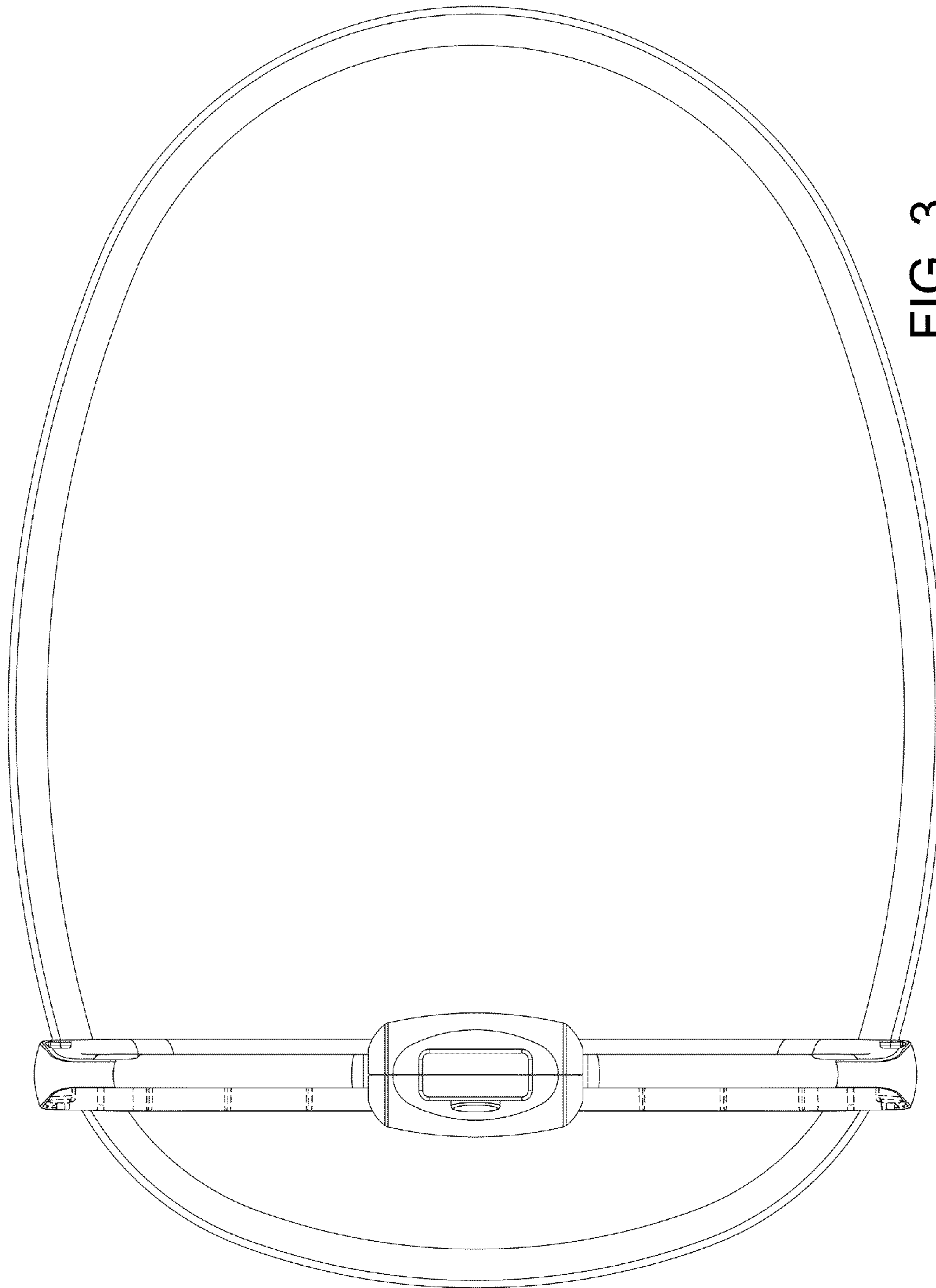


FIG. 3

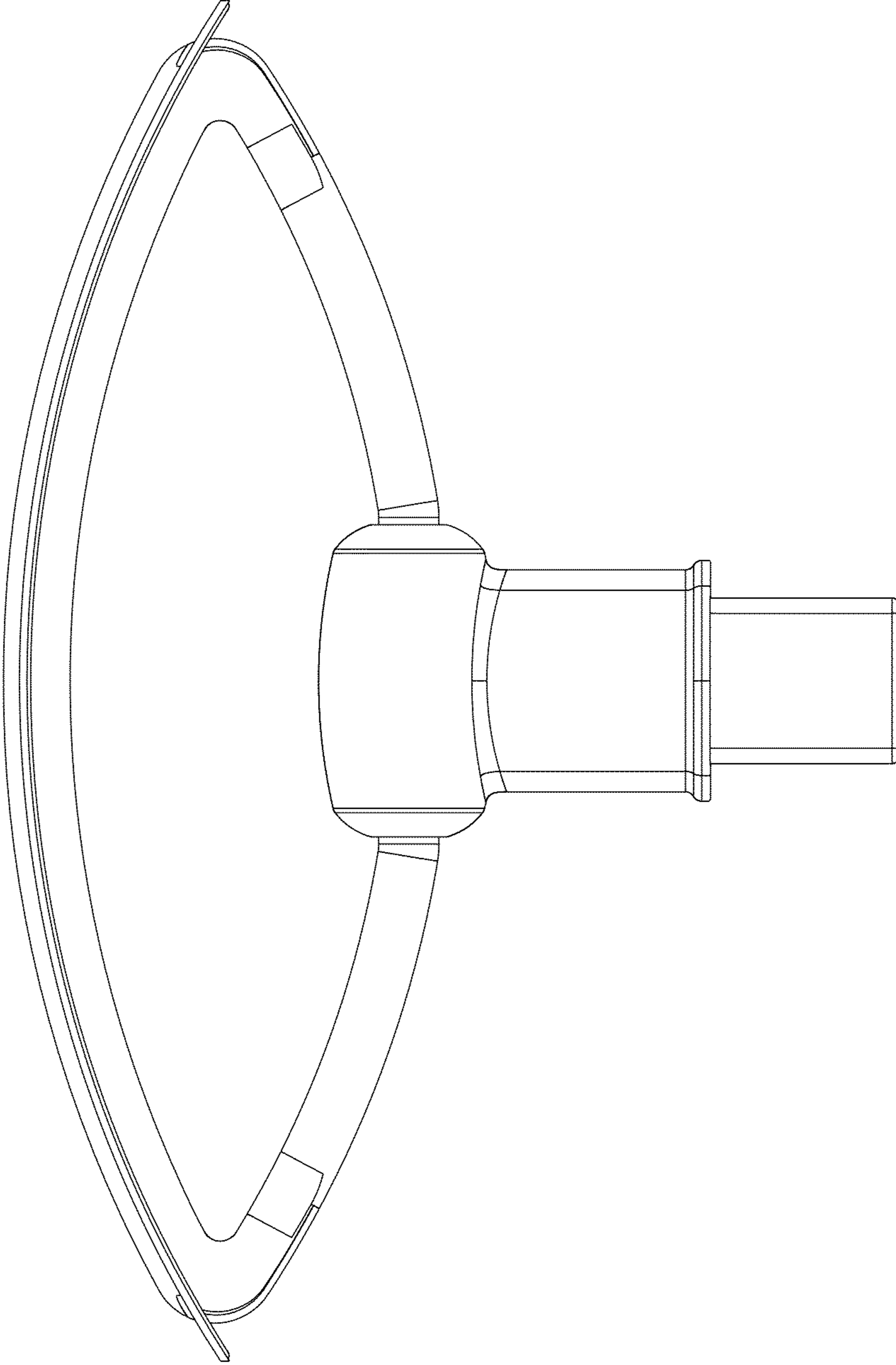


FIG. 4

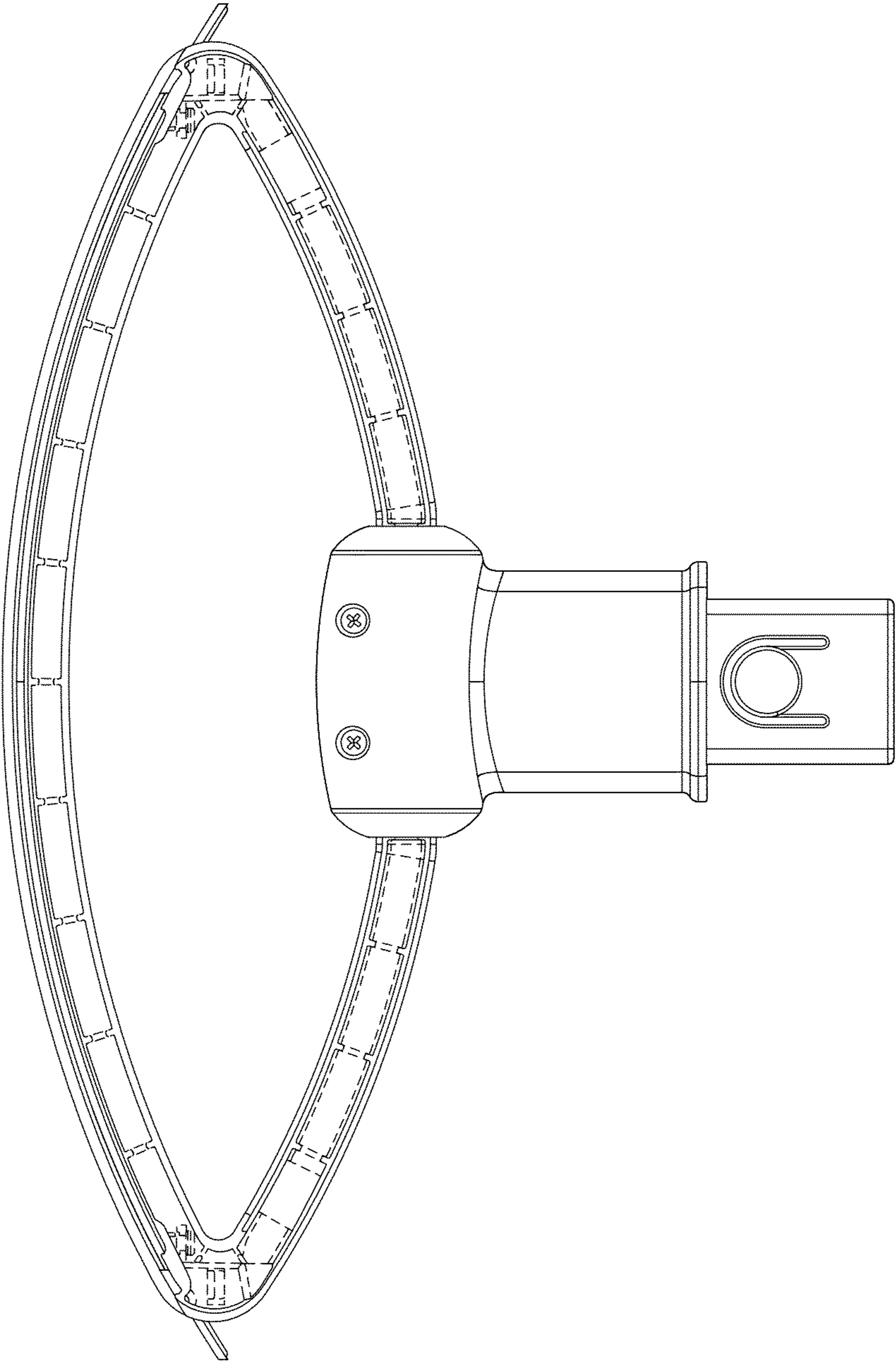


FIG. 5

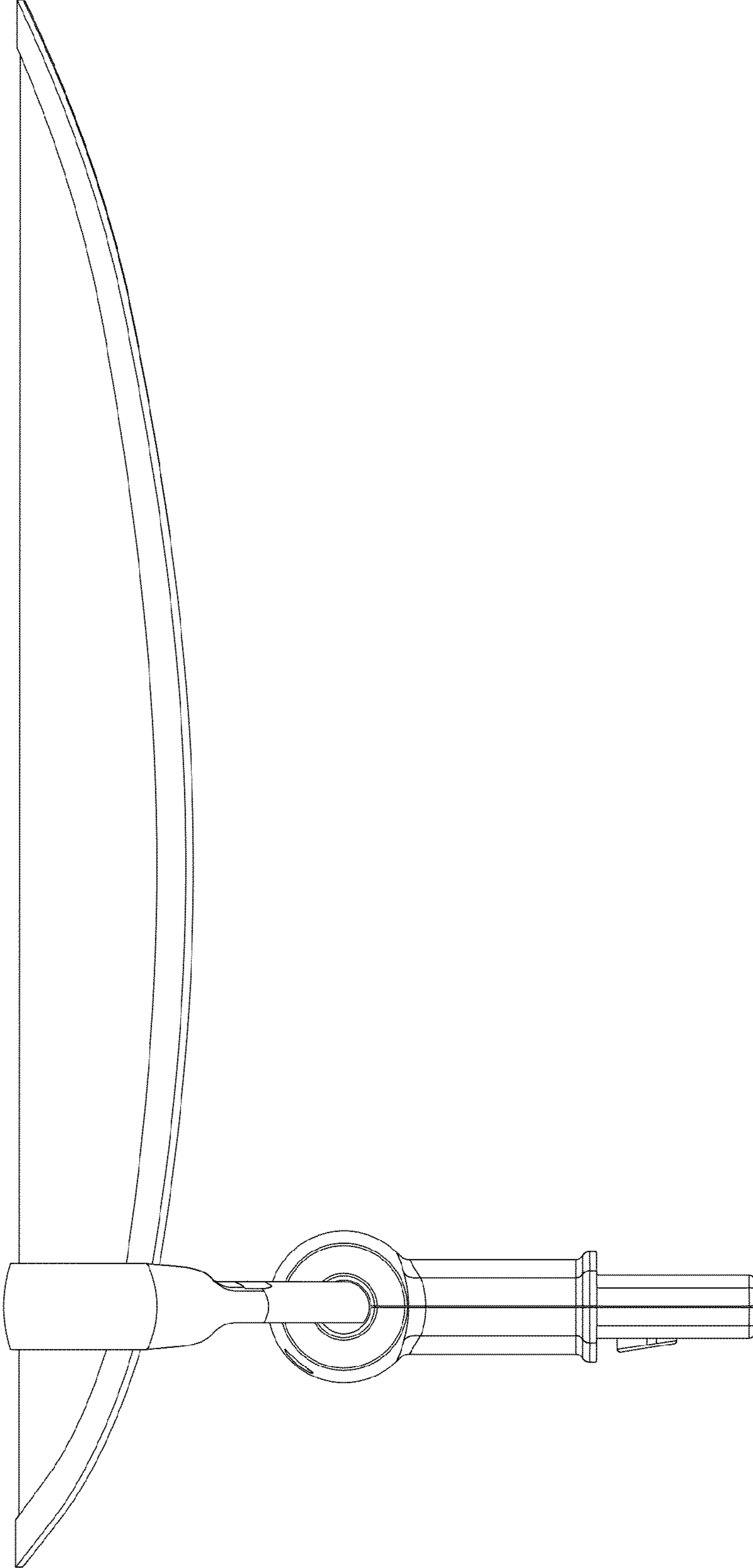


FIG. 6

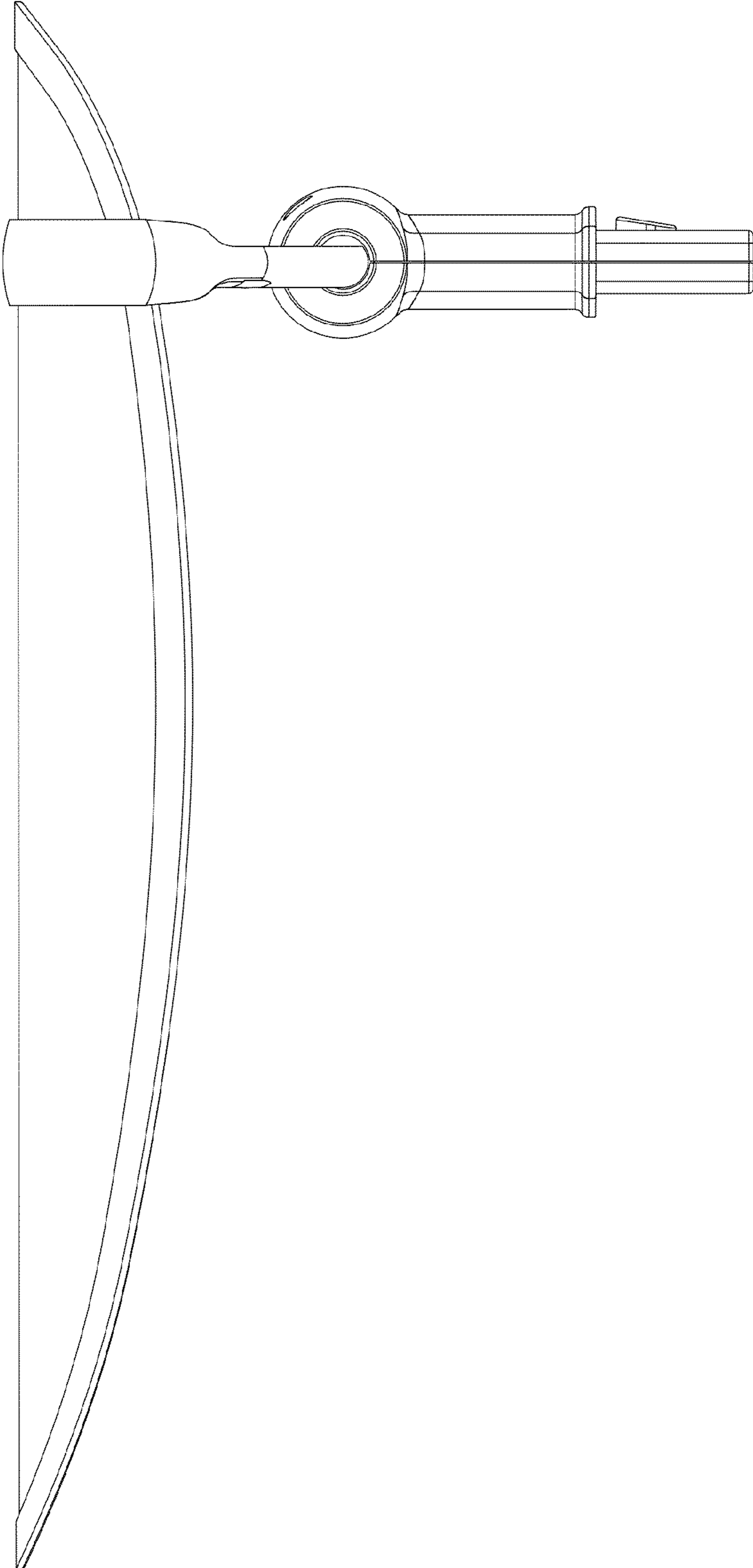


FIG. 7

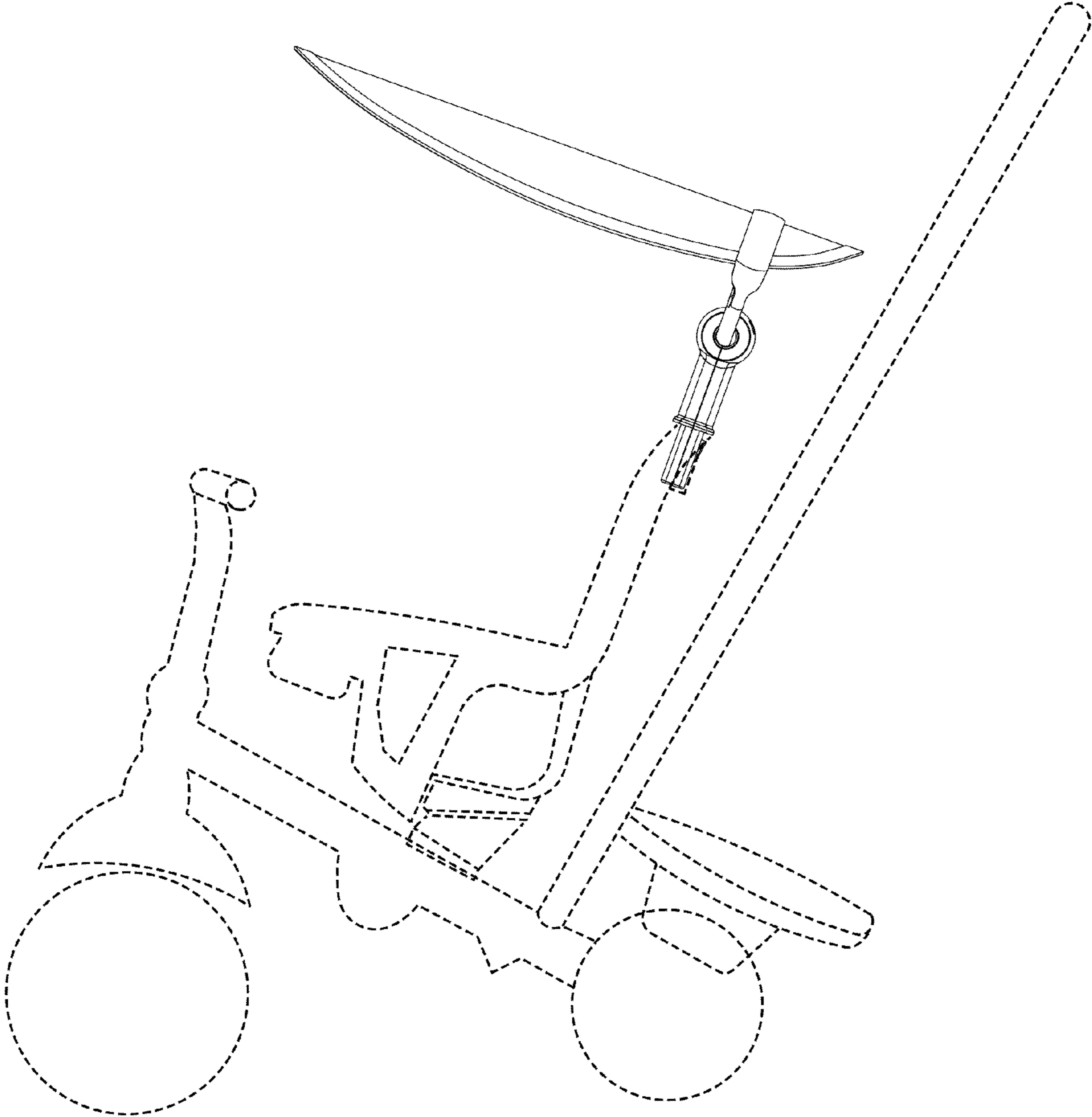


FIG. 8