



US00D729123S

(12) **United States Design Patent**
Koos

(10) **Patent No.:** **US D729,123 S**
(45) **Date of Patent:** **** May 12, 2015**

(54) **CAB FOR A VEHICLE**
(71) Applicant: **MAN Truck & Bus AG**, Munich (DE)
(72) Inventor: **Holger Koos**, München (DE)
(73) Assignee: **MAN Truck & Bus AG**, Munich (DE)
(**) Term: **14 Years**

D570,741 S * 6/2008 Emoto et al. D12/96
D571,259 S * 6/2008 Emoto et al. D12/96
D619,049 S * 7/2010 Beigel et al. D12/96
D623,091 S * 9/2010 Beigel et al. D12/96
D623,092 S * 9/2010 Beigel et al. D12/96
D632,614 S * 2/2011 Iuchi D12/96
D634,244 S * 3/2011 Aris et al. D12/96
D653,994 S * 2/2012 Fukushima et al. D12/96
D703,105 S * 4/2014 Riggs et al. D12/96
2007/0075566 A1* 4/2007 Lindemann et al. 296/190.01

* cited by examiner

(21) Appl. No.: **29/447,057**
(22) Filed: **Feb. 28, 2013**

Primary Examiner — Mark Goodwin
(74) *Attorney, Agent, or Firm* — Cozen O’Conor

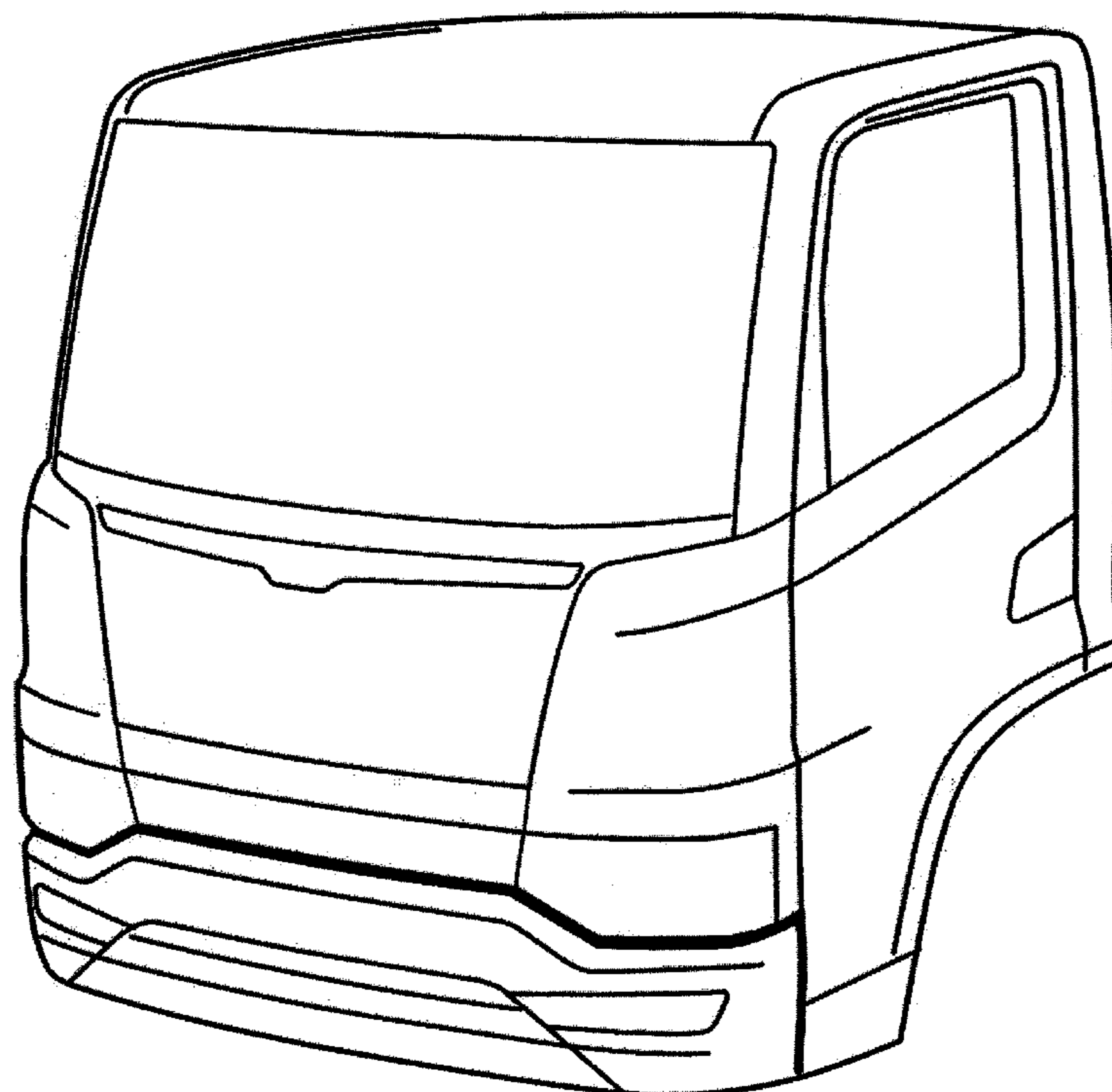
(30) **Foreign Application Priority Data**
Aug. 31, 2012 (EM) 002095596
(51) **LOC (10) Cl.** **12-08**
(52) **U.S. Cl.**
USPC **D12/96; D15/30**
(58) **Field of Classification Search**
USPC D15/30, 22–26; D12/93, 96, 97, 99;
D21/424, 434, 581; 180/89.16, 89.18,
180/89.19; 296/183.1, 190.1, 146.1
See application file for complete search history.

(57) **CLAIM**
An ornamental design for a cab for a vehicle, as shown and described.

(56) **References Cited**
U.S. PATENT DOCUMENTS
D307,203 S * 4/1990 Martinez et al. D32/15
D411,816 S * 7/1999 Reynard et al. D12/96

DESCRIPTION
FIG. 1 is a left front perspective view of a cab for a vehicle showing my new design;
FIG. 2 is a right front perspective view thereof;
FIG. 3 is a front view thereof;
FIG. 4 is a rear view thereof;
FIG. 5 is a left side view thereof;
FIG. 6 is a right side view thereof;
FIG. 7 is a top plan view thereof; and,
FIG. 8 is a bottom plan view thereof.

1 Claim, 8 Drawing Sheets



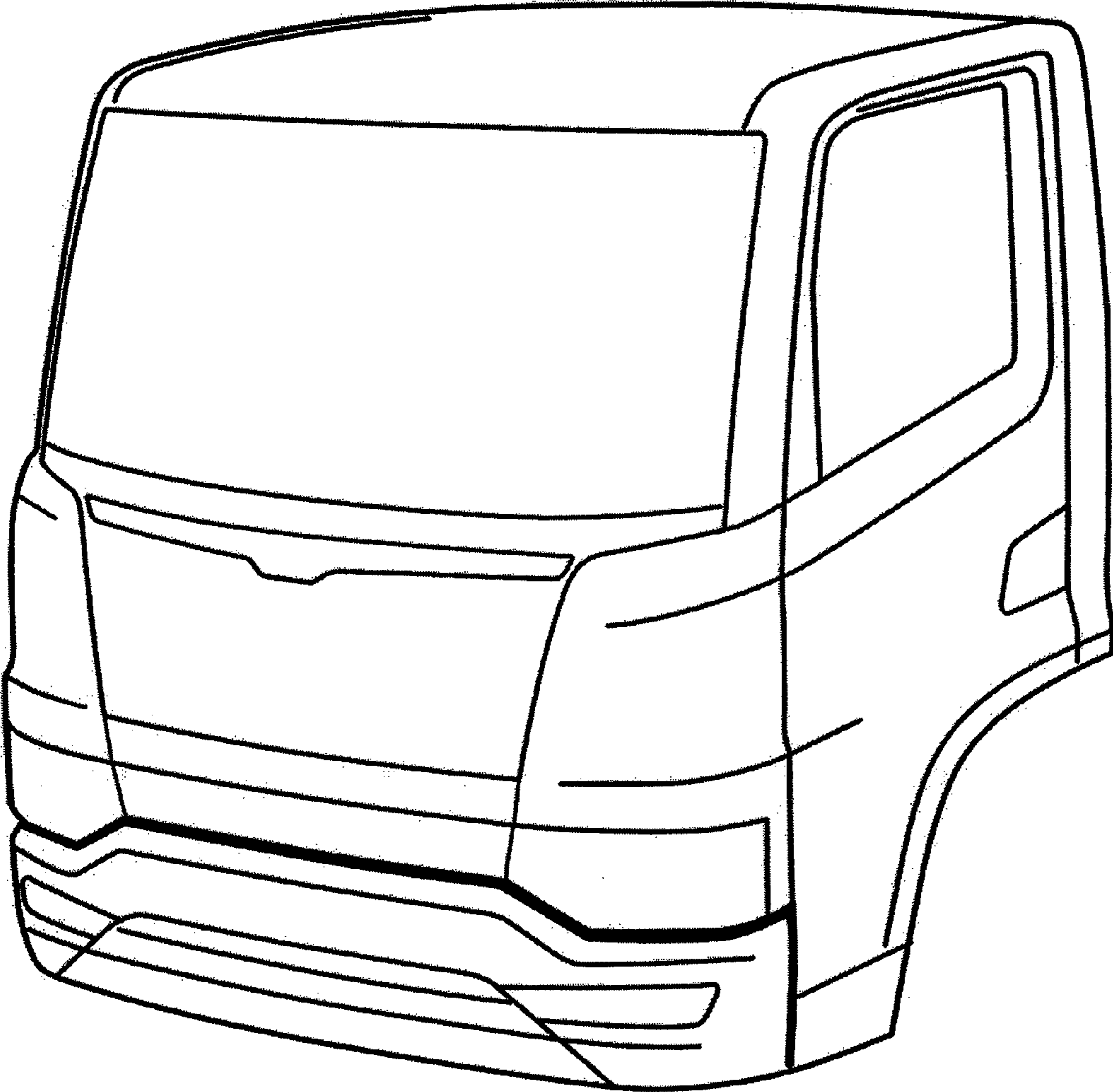


FIG. 1

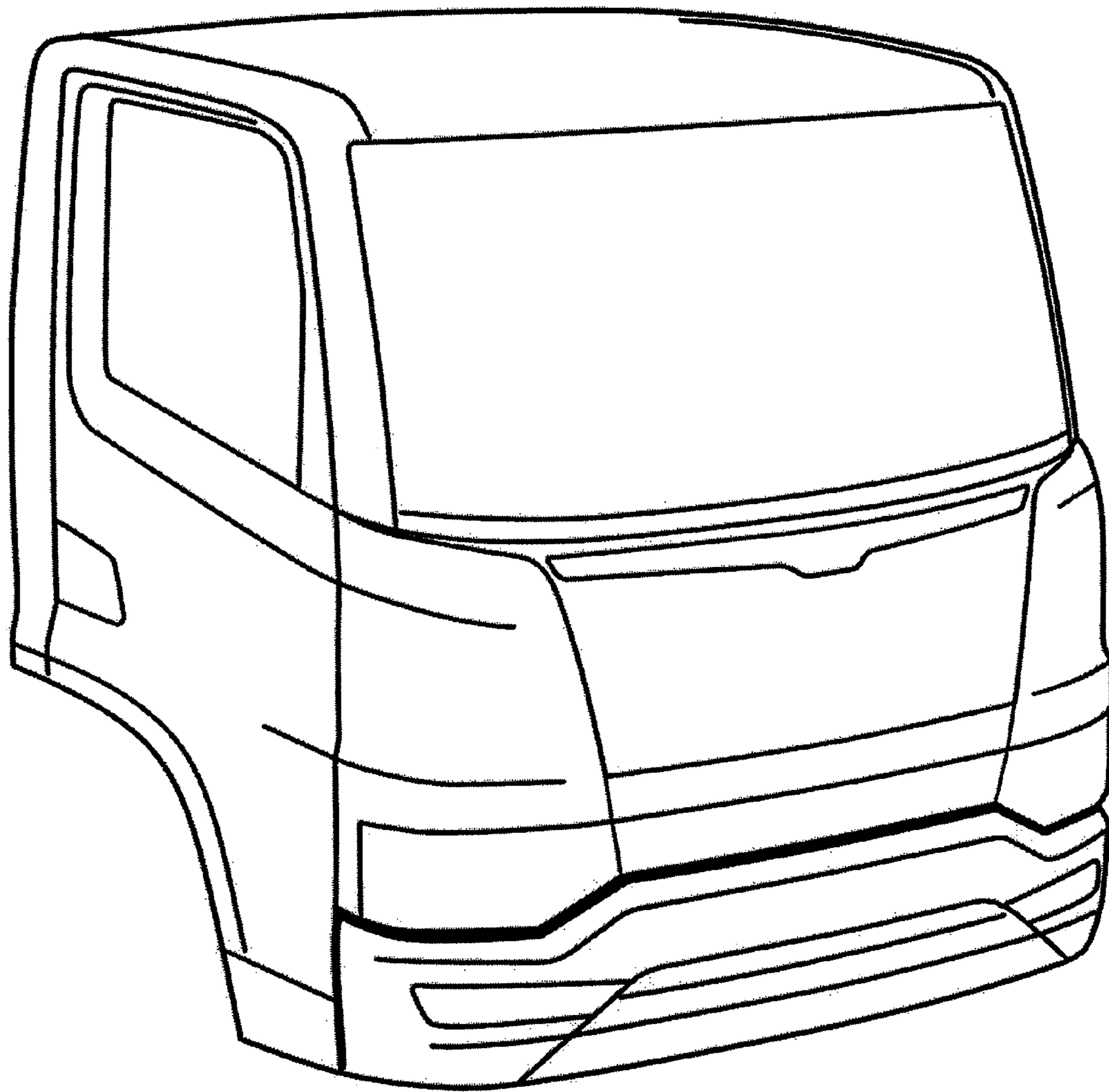


FIG. 2

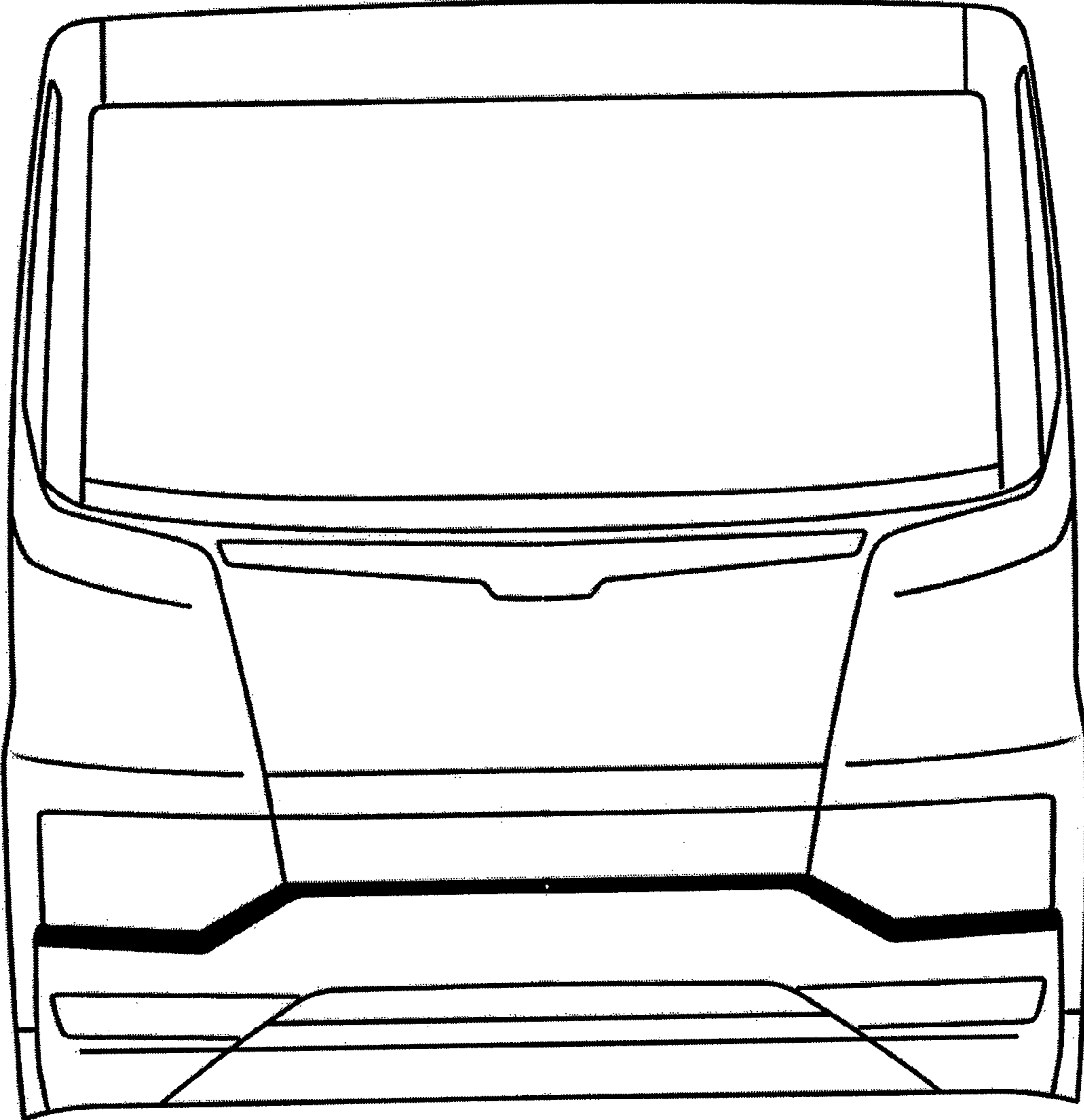


FIG. 3

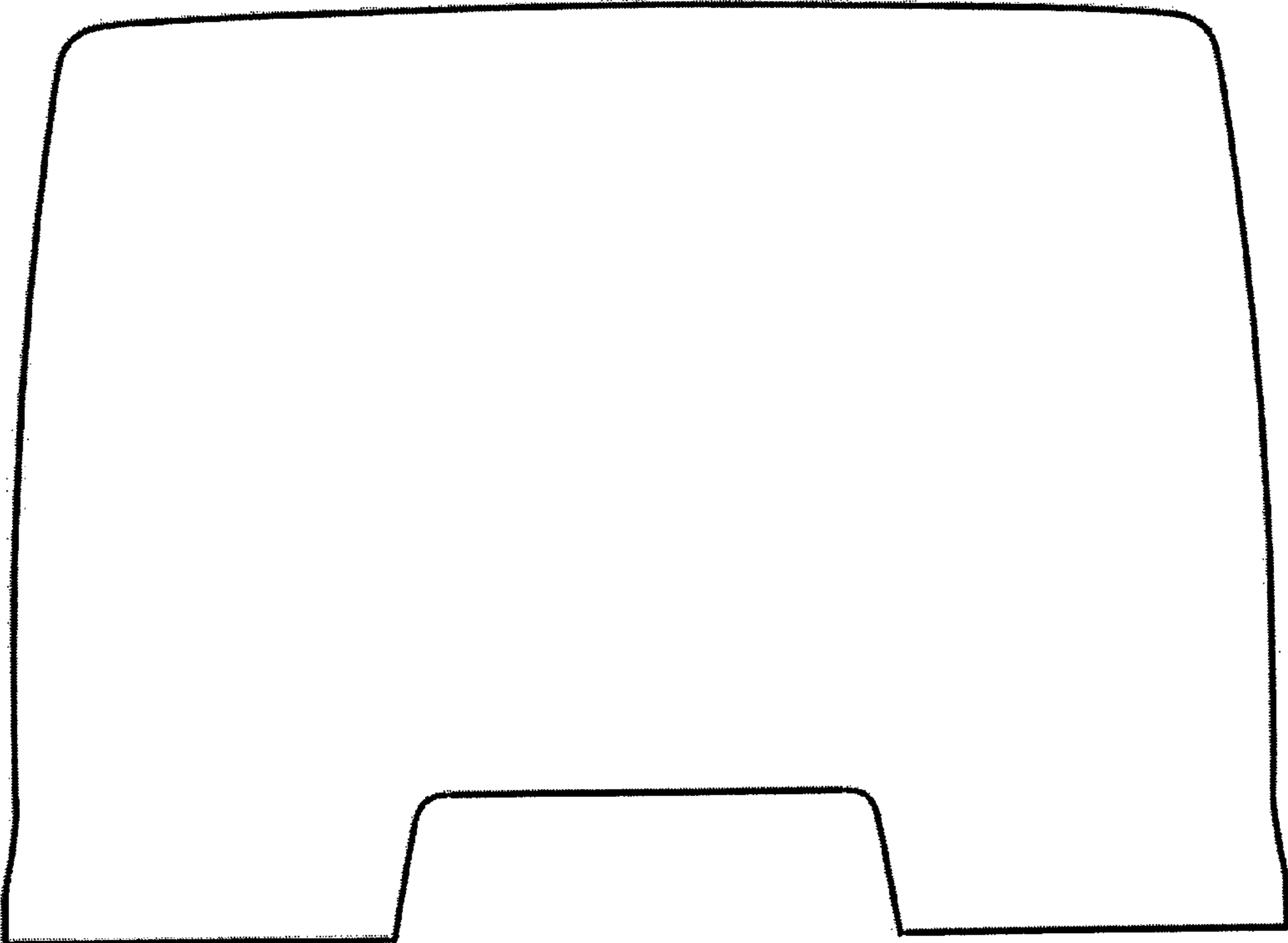


FIG.4.

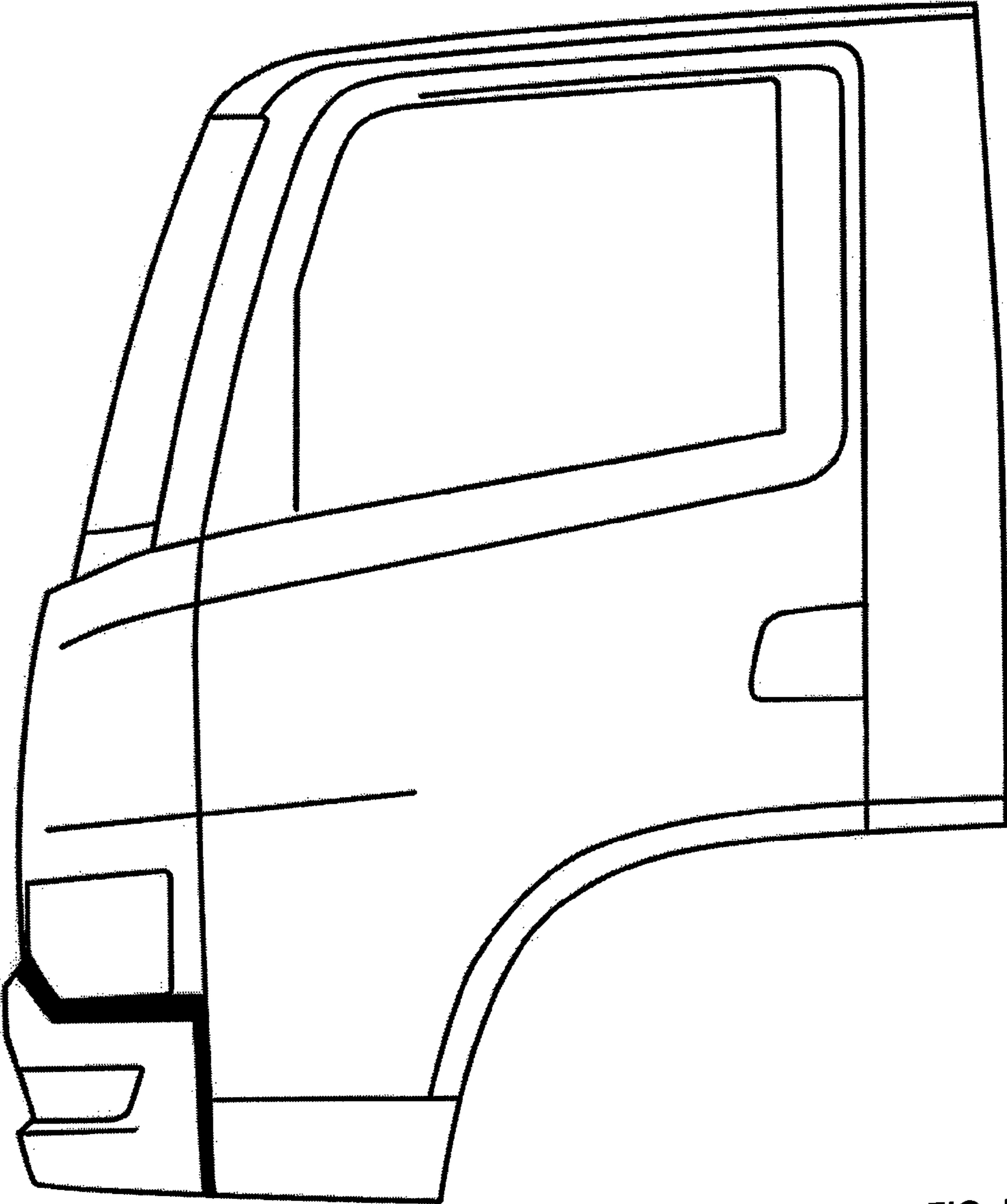


FIG. 5

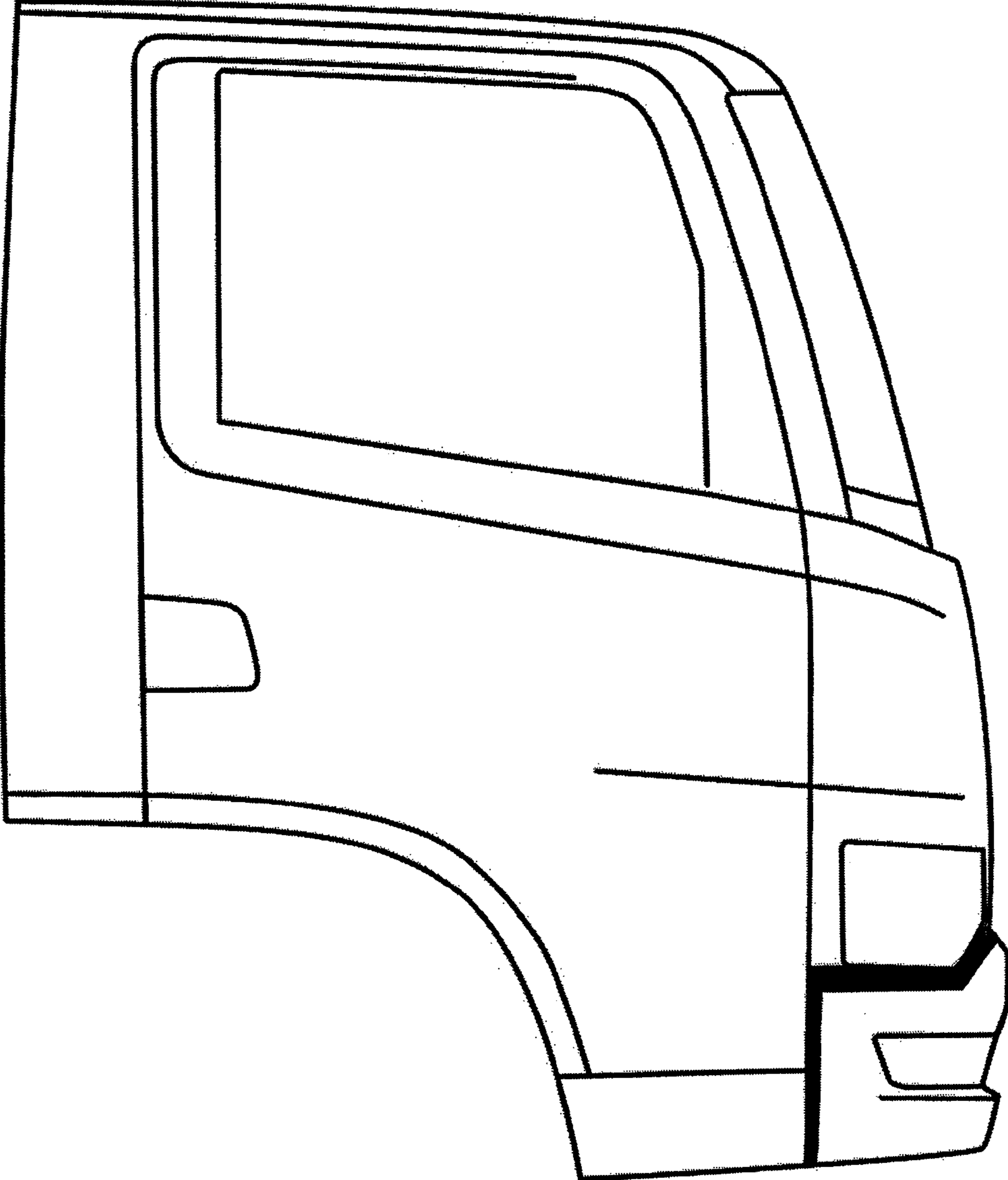


FIG. 6

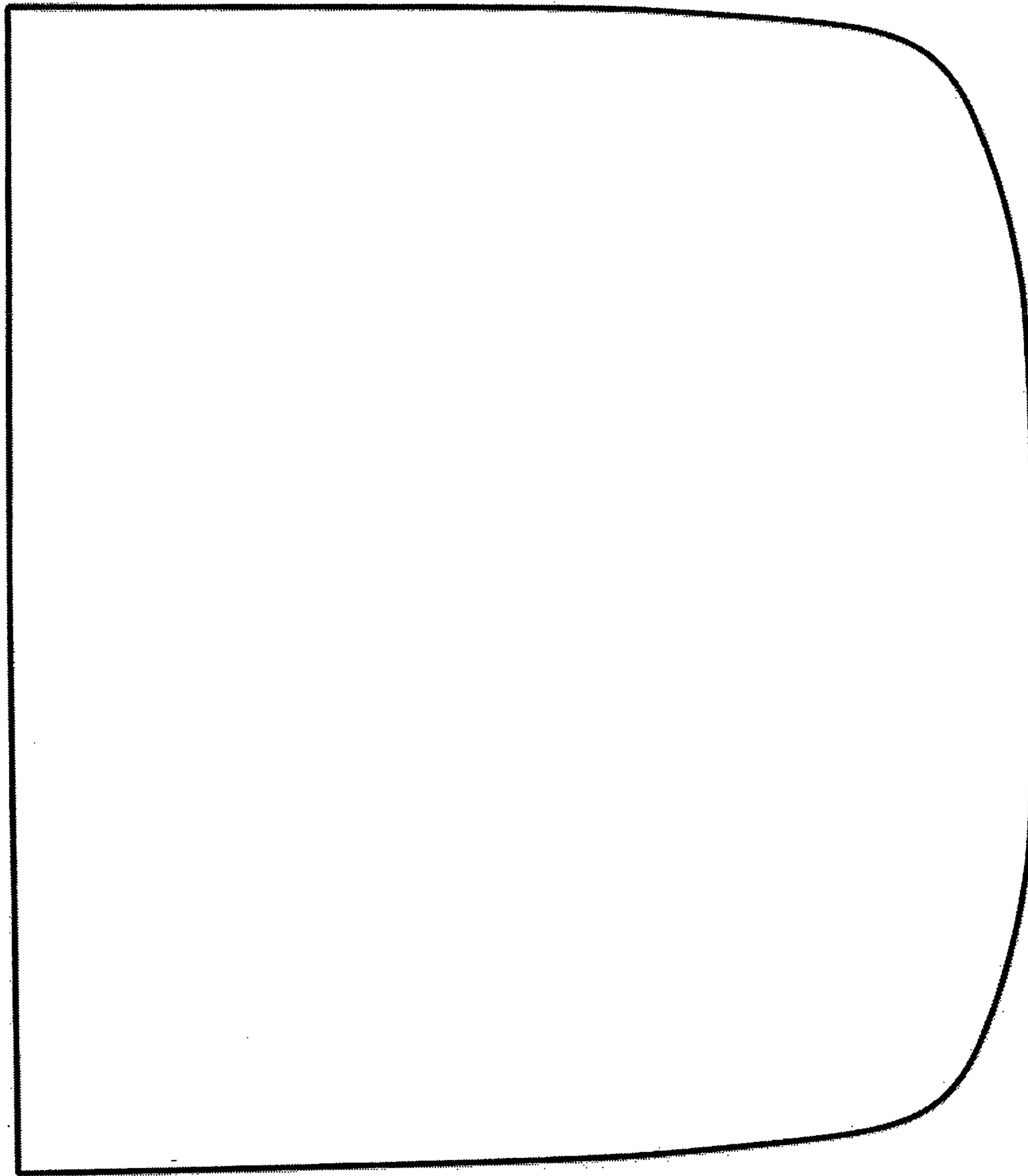


FIG. 7

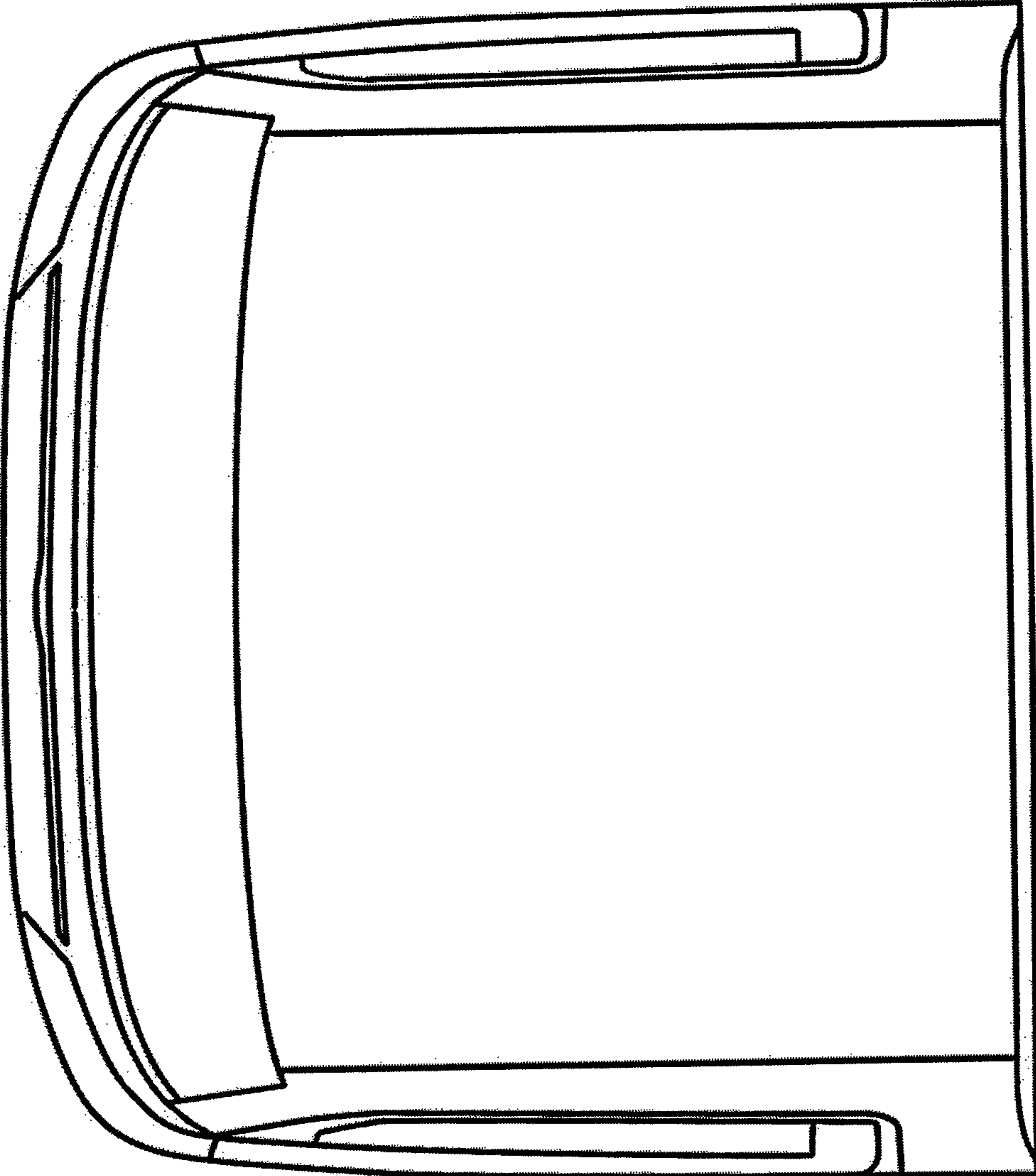


FIG. 8