



US00D729117S

(12) **United States Design Patent**
Bishop

(10) **Patent No.:** **US D729,117 S**

(45) **Date of Patent:** **** May 12, 2015**

(54) **GUN-SHAPED FLAG POLE HOLDER**

(71) Applicant: **Raymond Bishop**, Avon, NY (US)

(72) Inventor: **Raymond Bishop**, Avon, NY (US)

(**) Term: **14 Years**

(21) Appl. No.: **29/485,130**

(22) Filed: **Mar. 17, 2014**

(51) **LOC (10) Cl.** **11-05**

(52) **U.S. Cl.**
USPC **D11/181; D21/573**

(58) **Field of Classification Search**
CPC G09F 17/00; G09F 7/18; F41B 7/08
USPC D5/9, 21, 30, 41, 99; D11/165-173,
D11/175-183; D20/11, 19, 29, 36, 41, 42;
D21/573; D22/103; 40/218, 604;
42/71.01; 116/26, 173

See application file for complete search history.

(56) **References Cited**

U.S. PATENT DOCUMENTS

D27,808	S	*	11/1897	Ives	D21/573
733,946	A	*	7/1903	Delgrande	42/54
D54,325	S	*	12/1919	Martin	D26/94
1,685,730	A	*	9/1928	Tippetts	124/22
D100,794	S	*	8/1936	Reom	D21/573
D108,985	S	*	3/1938	Pugsley	D22/103
D129,620	S	*	9/1941	Tratsch	D22/103
D136,924	S	*	12/1943	Shoemaker	D21/573
D160,151	S	*	9/1950	Duncan	D22/103
RE24,635	E	*	4/1959	Bowman	D22/103
D278,451	S	*	4/1985	Makhoulian	D21/573
D295,545	S	*	5/1988	Bell	D22/103
D502,286	S	*	2/2005	Pan	D27/148

D529,839	S	*	10/2006	Howald	D11/181
D530,647	S	*	10/2006	McRoy	D11/181
7,690,371	B2	*	4/2010	Slaven	124/18
7,716,864	B2	*	5/2010	Skrubis et al.	42/71.01
D679,356	S	*	4/2013	Klotz	D22/103
D697,161	S	*	1/2014	Kera	D22/108
D706,673	S	*	6/2014	Lingo et al.	D11/182
2014/0251201	A1	*	9/2014	Lingo et al.	116/173

* cited by examiner

Primary Examiner — Karen S Acker

Assistant Examiner — Clare Ann Gannon

(74) *Attorney, Agent, or Firm* — Daniel Boudwin; Global Intellectual Property Agency LLC

(57) **CLAIM**

The ornamental design for a gun-shaped flag pole holder, as shown and described.

DESCRIPTION

FIG. 1 is a perspective view of a gun-shaped flag pole holder shown in a position of use supporting a flag pole.

FIG. 2 is a side view of the gun-shaped flag pole holder of FIG. 1.

FIG. 3 is a first end view of the gun-shaped flag pole holder of FIG. 1.

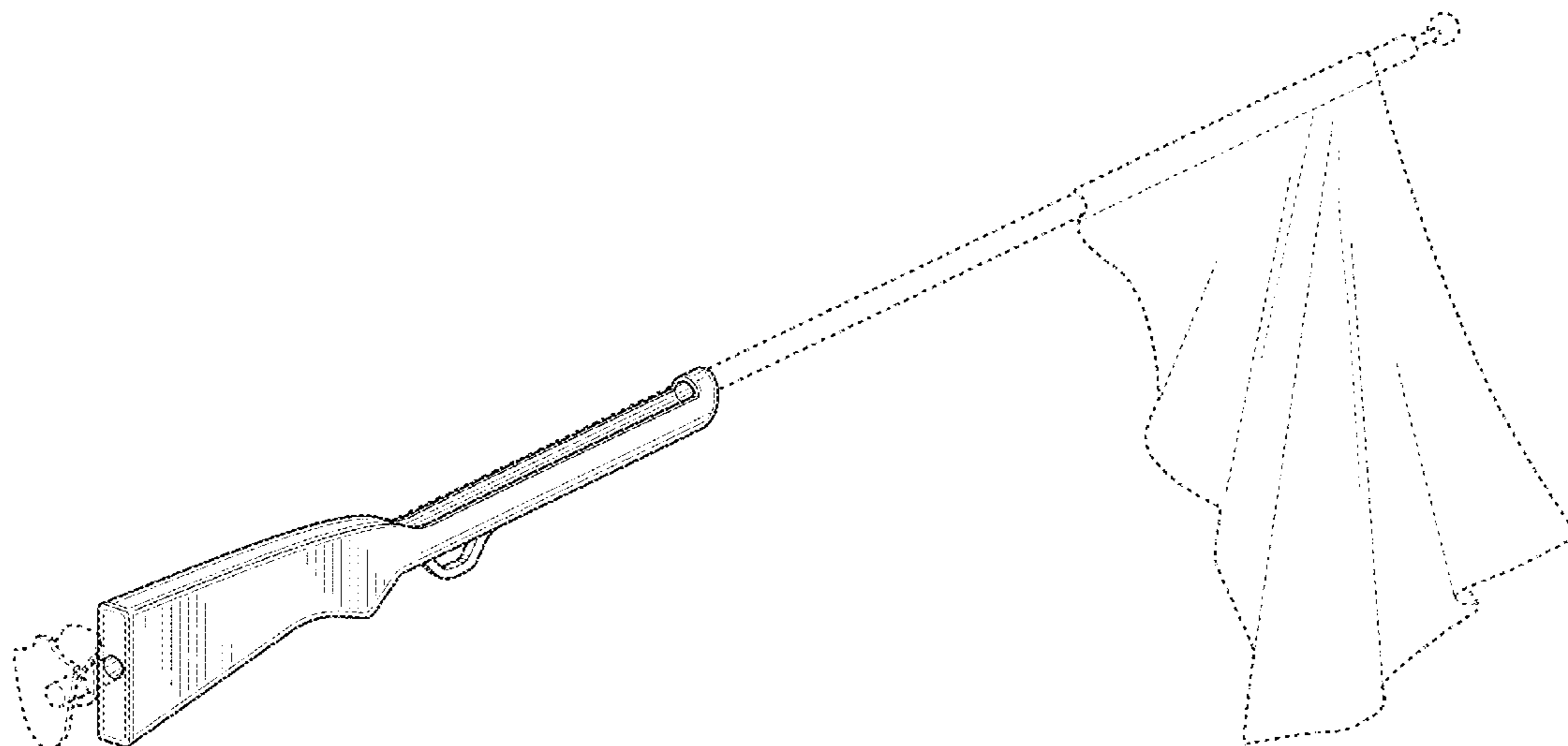
FIG. 4 is a second end view of the gun-shaped flag pole holder of FIG. 1.

FIG. 5 is an overhead view of the gun-shaped flag pole holder of FIG. 1; and,

FIG. 6 is an underside view of the gun-shaped flag pole holder of FIG. 1.

A flag, a flag pole, and a bottom attachment to a flag pole holder, all drawn in broken lines in FIG. 1, are depictions of environmental subject matter that form no part of the claimed design.

1 Claim, 3 Drawing Sheets



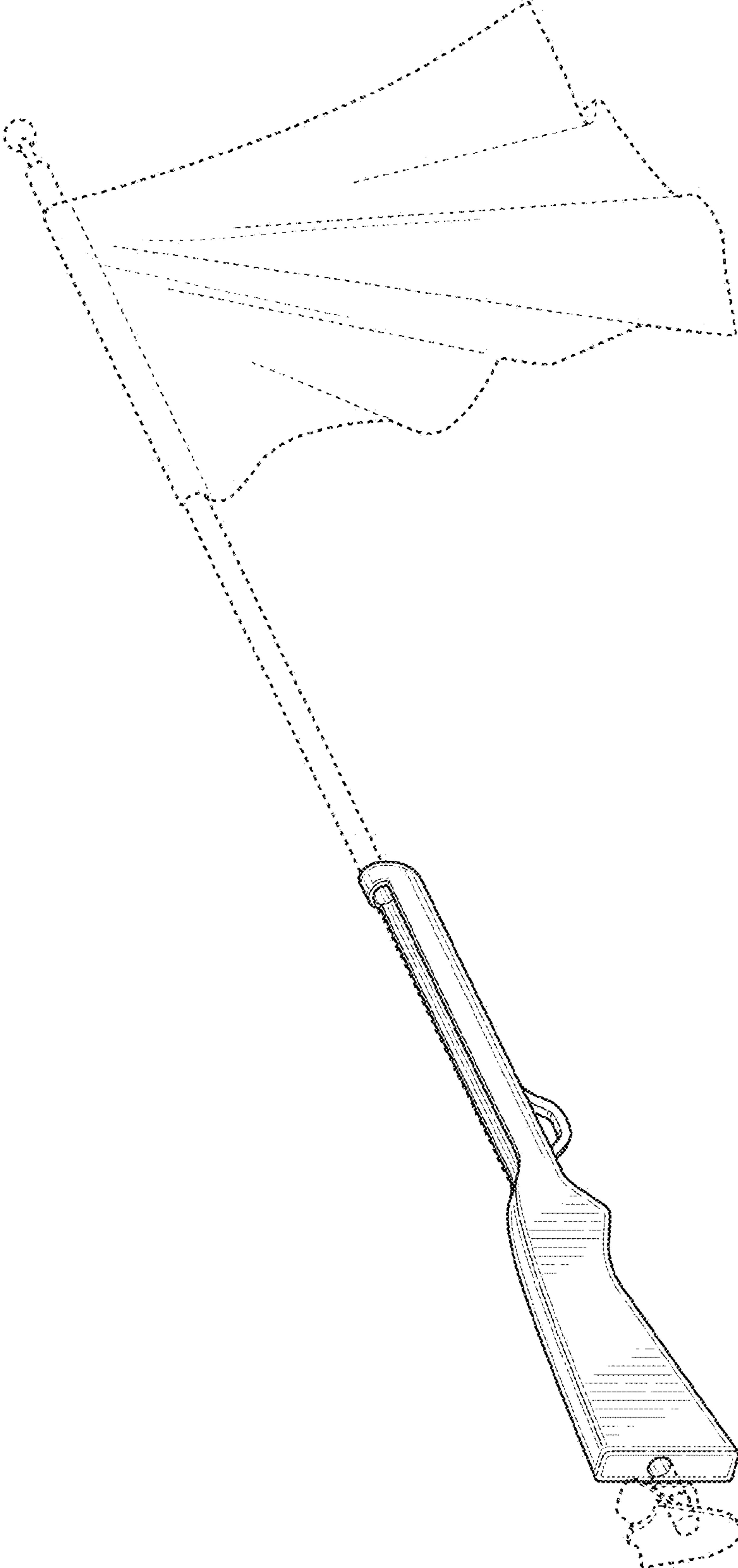


FIG. 1

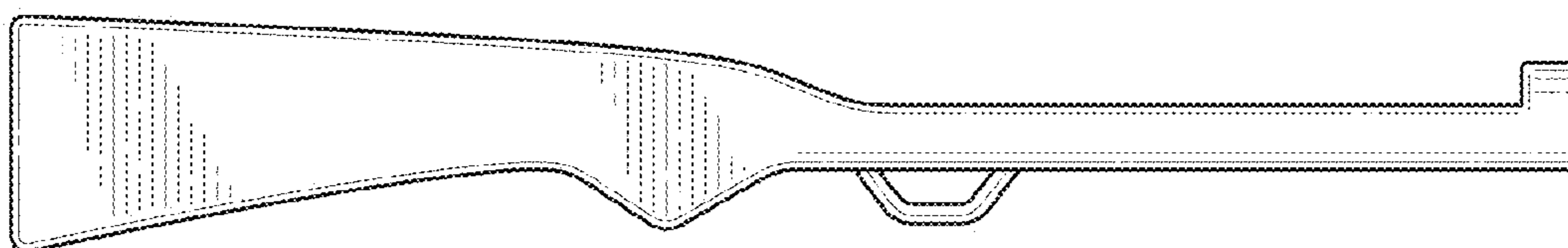


FIG. 2



FIG. 3



FIG. 4

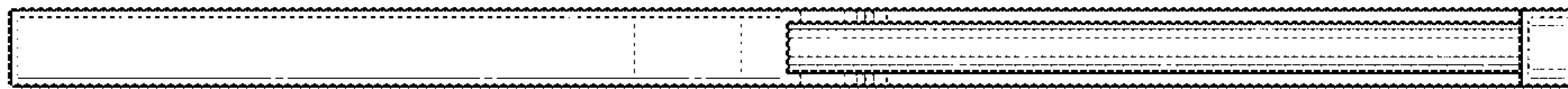


FIG. 5

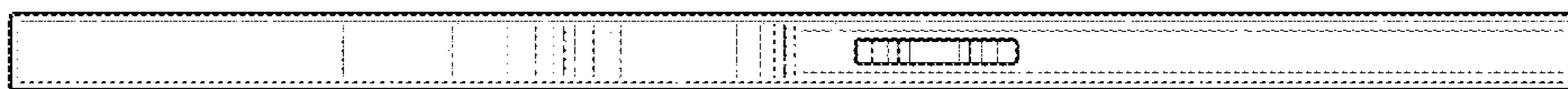


FIG. 6