



US00D729116S

(12) **United States Design Patent**
Riccobono

(10) **Patent No.:** **US D729,116 S**
(45) **Date of Patent:** **** May 12, 2015**

- (54) **STRETCHED CANVAS PENNANT**
- (71) Applicant: **Nick Riccobono**, Oak Creek, WI (US)
- (72) Inventor: **Nick Riccobono**, Oak Creek, WI (US)
- (**) Term: **14 Years**
- (21) Appl. No.: **29/475,067**
- (22) Filed: **Nov. 27, 2013**
- (51) **LOC (10) Cl.** **11-05**
- (52) **U.S. Cl.**
USPC **D11/165**
- (58) **Field of Classification Search**
CPC G09F 17/00; G09F 2017/0066; G09F
2017/0075; G09F 2017/005; G09F 2017/0008
USPC D11/165-183; D20/16, 17, 27, 28, 30,
D20/31, 36, 41-43; 40/218, 584, 604,
40/606.1, 606.15, 607.01, 607.03, 607.05;
116/173-175; 284/200, 218.4, 511
See application file for complete search history.

(56) **References Cited**

U.S. PATENT DOCUMENTS

12,140	A *	1/1855	Rogers	116/173
47,230	A *	4/1865	Sprgue	116/175
D55,041	S *	5/1920	Hatfield	D11/116
1,593,078	A *	7/1926	Jacobs	116/173
D117,036	S *	10/1939	Elliot	D20/17
2,535,149	A *	12/1950	McBride	206/216
2,773,470	A *	12/1956	Alger	116/209
2,960,786	A *	11/1960	Wagner	40/592
2,991,577	A *	7/1961	Bellocchio	40/738
3,266,458	A *	8/1966	Ahlquist	116/173
3,672,671	A *	6/1972	Merola	473/40
3,762,360	A *	10/1973	Hawes	116/28 R
3,788,269	A *	1/1974	Scarlet	116/173
3,945,645	A *	3/1976	Roberts	273/157 R
4,210,859	A *	7/1980	Meretsky et al.	323/331
4,271,619	A *	6/1981	Schmidt	40/782
D313,214	S *	12/1990	Phillips et al.	D12/223
D323,257	S *	1/1992	Cornwell	D6/470

5,207,174	A *	5/1993	Fabbrini	116/173
5,246,517	A *	9/1993	Watson	156/215
D352,191	S *	11/1994	Zorian	D6/470
5,373,654	A *	12/1994	Whalen	40/716
D354,712	S *	1/1995	Moat	D11/166
D359,515	S	6/1995	Kinart	
5,439,018	A *	8/1995	Tsai	135/143
D369,042	S	4/1996	Kinart	
D371,164	S	6/1996	Shane	
5,685,255	A *	11/1997	Arzu	116/30
5,740,622	A *	4/1998	Martin	40/591
5,904,116	A *	5/1999	Wynner et al.	116/173
5,916,032	A *	6/1999	Stoll	473/40
D423,794	S *	5/2000	Brownfield	D6/300
D433,714	S *	11/2000	Rosen et al.	D20/10

(Continued)

OTHER PUBLICATIONS

Canvas Concepts Triangle Stretched Canvas, found at http://webarchive20121016153649/http://www.artsupply.com/Canvas-Concepts-Triangle-Stretched-Canyas_c_2411.html on May 21, 2014.*

(Continued)

Primary Examiner — Karen S Acker

(74) *Attorney, Agent, or Firm* — Boyle Fredrickson, S.C.

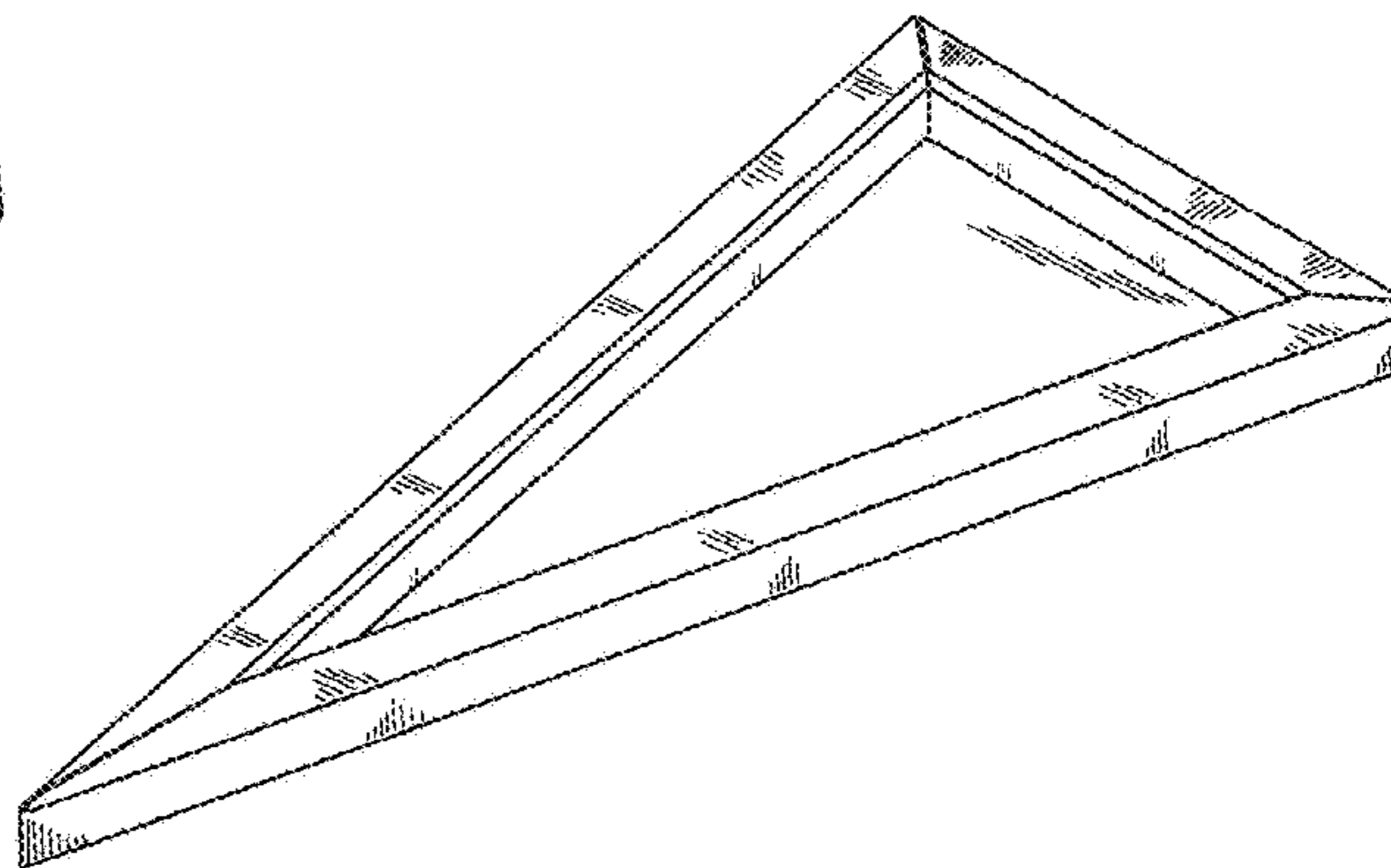
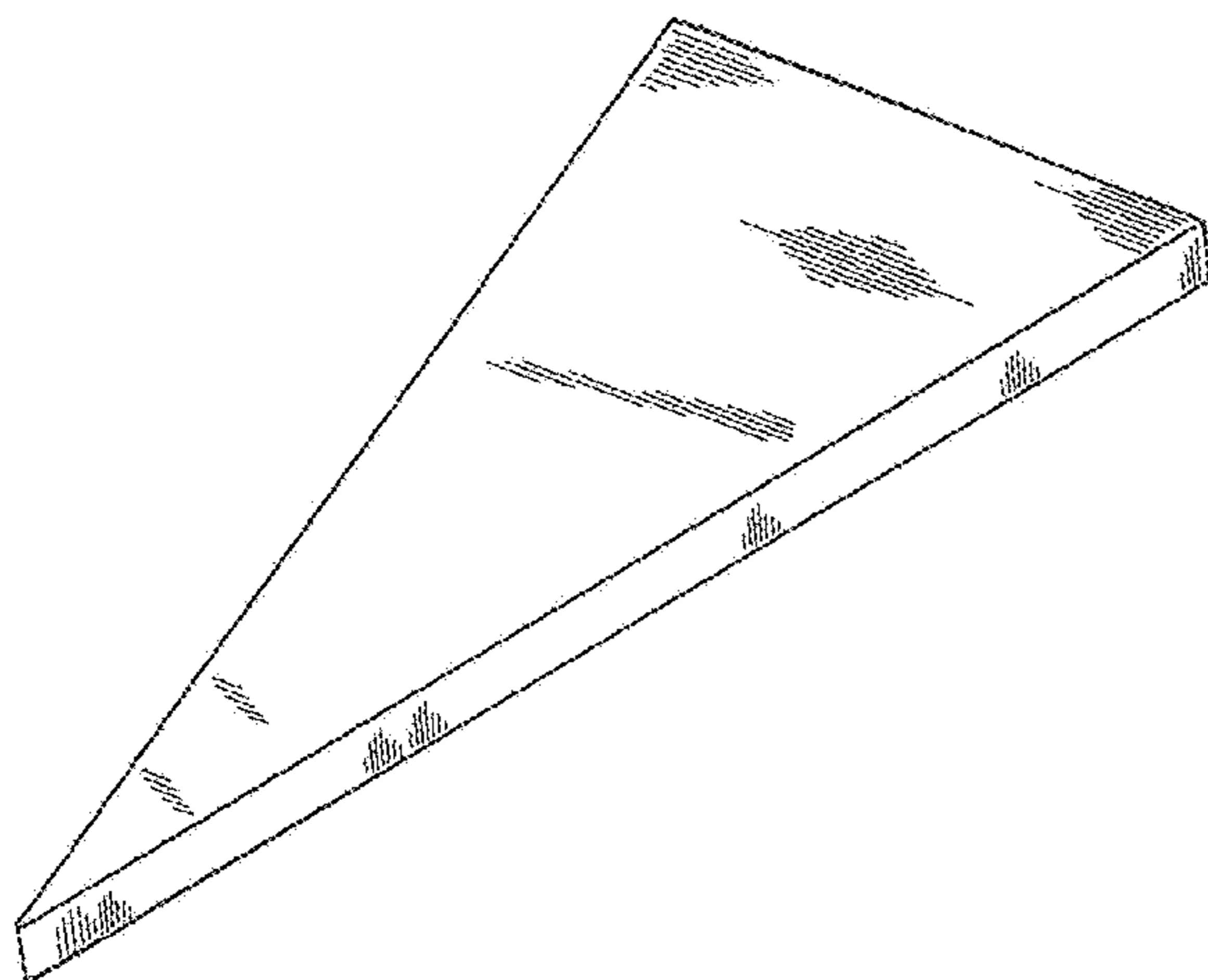
(57) **CLAIM**

The ornamental design for a stretched canvas pennant, as shown and described.

DESCRIPTION

FIG. 1 is an isometric view from above of a stretched canvas pennant incorporating my new design;
FIG. 2 is an isometric view from below the stretched canvas pennant of FIG. 1;
FIG. 3 is a top plan view of the stretched canvas pennant of FIG. 1; and,
FIG. 4 is a bottom plan view of the stretched canvas pennant of FIG. 1.

1 Claim, 4 Drawing Sheets



(56)

References Cited

U.S. PATENT DOCUMENTS

6,339,683 B1 * 1/2002 Nakayama et al. 396/429
 6,390,017 B1 * 5/2002 Hendrickson et al. 116/317
 6,598,558 B2 7/2003 Griffin
 6,808,098 B1 * 10/2004 Bickett et al. 224/512
 6,874,264 B1 * 4/2005 Coito 40/757
 6,928,951 B2 * 8/2005 Huang 116/63 P
 7,067,184 B1 * 6/2006 Carkeek 428/95
 D529,116 S * 9/2006 Hathcock D21/782
 7,687,999 B2 * 3/2010 Essick et al. 315/200 A
 7,712,240 B2 * 5/2010 Gipson 40/783
 2003/0207071 A1 * 11/2003 Beistline et al. 428/88
 2004/0043183 A1 * 3/2004 Thrasher et al. 428/85
 2005/0206080 A1 * 9/2005 Chuang 273/157 R
 2006/0086307 A1 * 4/2006 Kaz 116/28 R
 2006/0174525 A1 * 8/2006 Hughes 40/603

2008/0039219 A1 * 2/2008 Radake 473/40
 2008/0301989 A1 * 12/2008 Britten 40/611.11
 2009/0211136 A1 * 8/2009 O'Connor 40/633
 2012/0012015 A1 * 1/2012 Shaw 100/265
 2012/0302361 A1 * 11/2012 Kaplan 473/40
 2013/0122243 A1 * 5/2013 Griffin 428/116

OTHER PUBLICATIONS

Masterpiece ³/₄“Triangle Stretched Canvas-10” found at Chicago Airbrush Supply, <http://www.chicagoairbrushsupply.com/paof2ma3trst2.html> on May 21, 2014.*
 Triangular Stretched Canvas Nail on Side or Staple on Side found at D.K. Art & Craft Co., Ltd. <http://www.china-dkart.com/Triangular-Stretched-Canyas-Nail-on-Side-or-Staple-on-Side.htm> on May 21, 2014.*

* cited by examiner

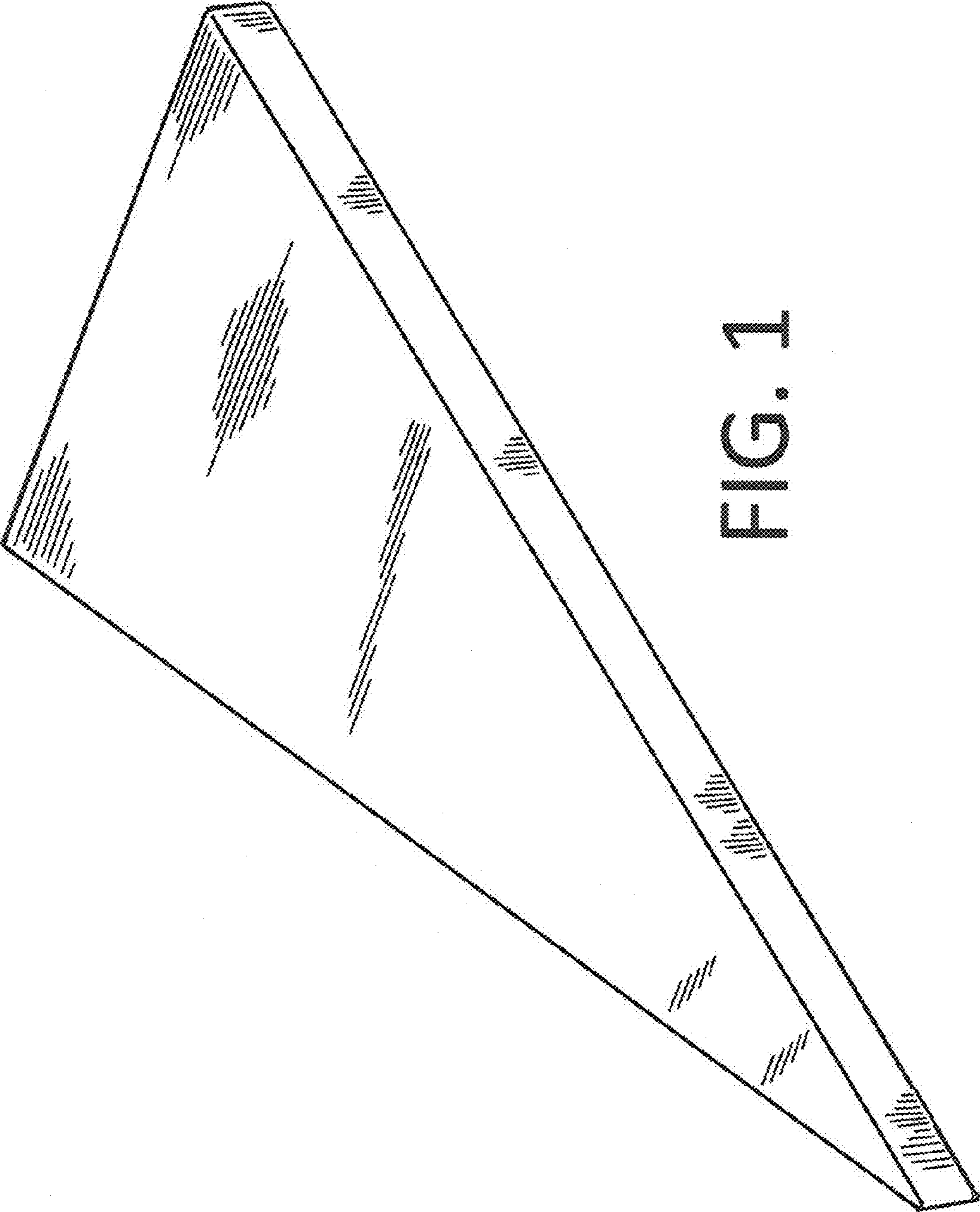


FIG. 1

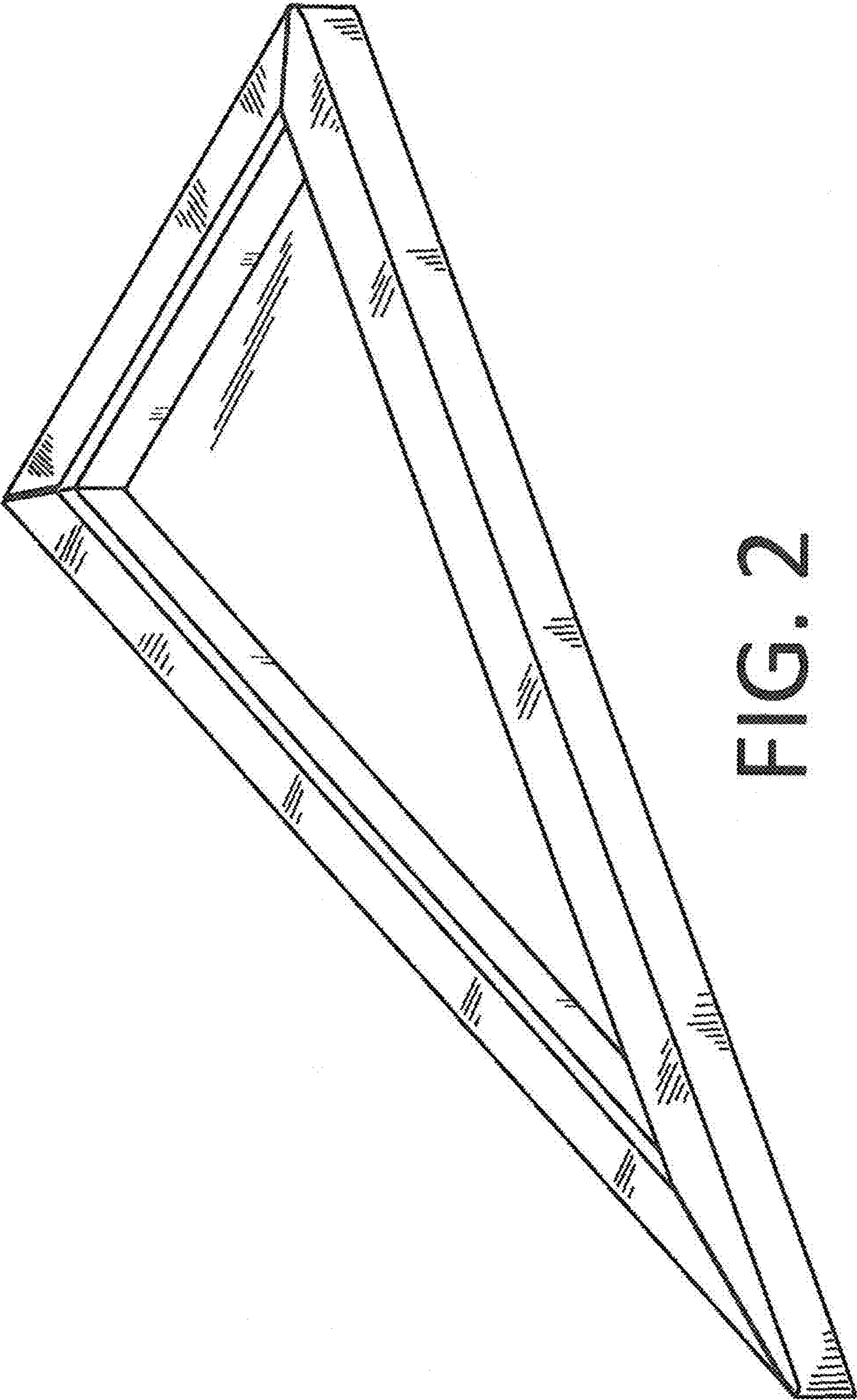


FIG. 2

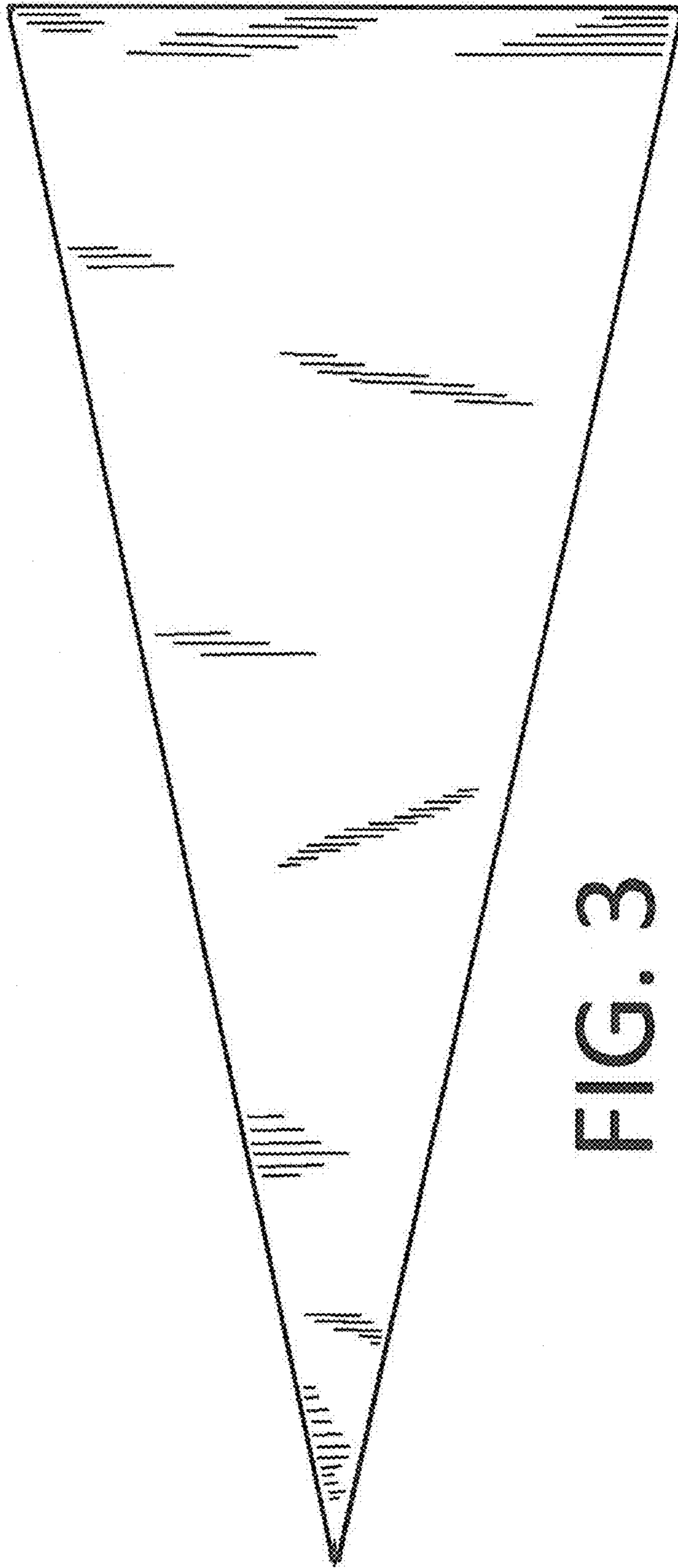


FIG. 3

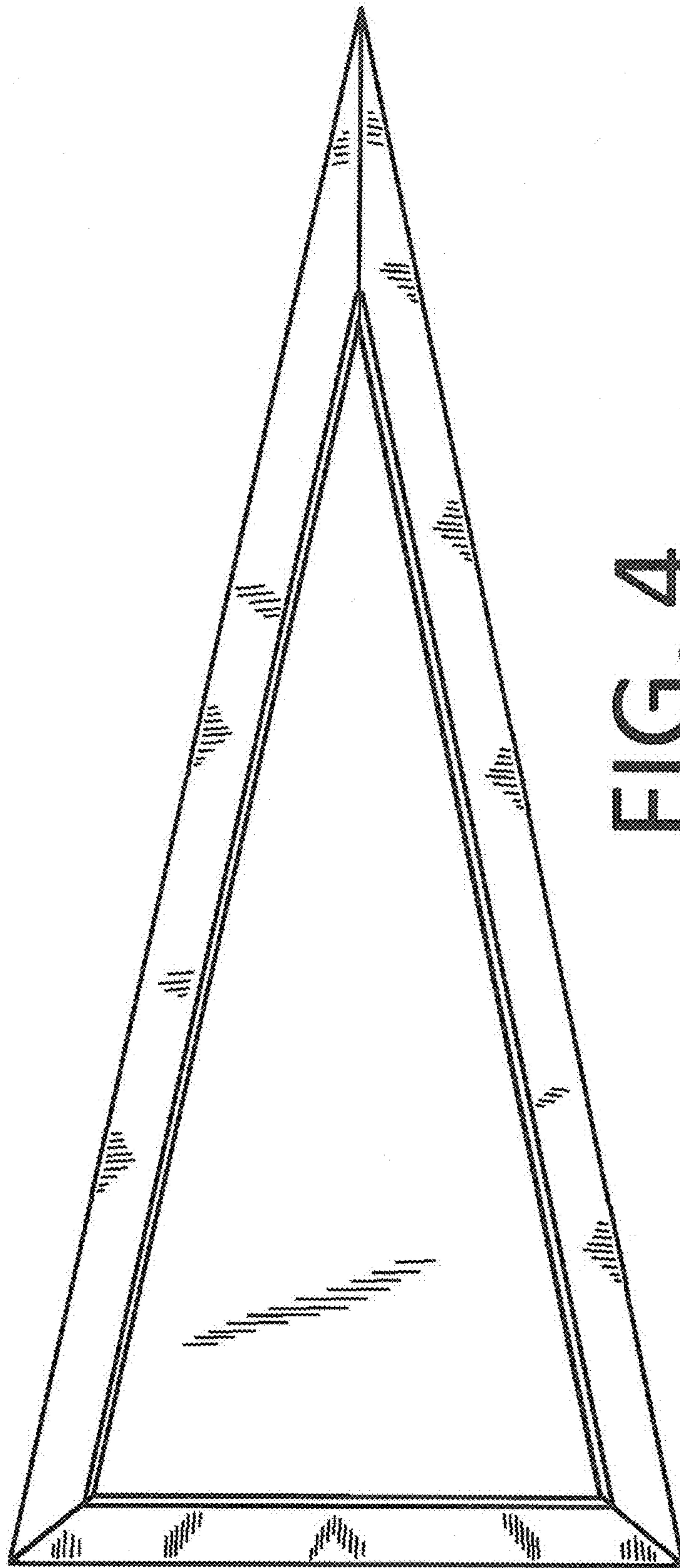


FIG. 4