



US00D729115S

(12) **United States Design Patent**  
**Prinster et al.**

(10) **Patent No.:** **US D729,115 S**

(45) **Date of Patent:** **\*\* May 12, 2015**

(54) **INDOOR GROWING UNIT**

- (71) Applicant: **OMS Investments, Inc.**, Los Angeles, CA (US)
- (72) Inventors: **Mark Gerard Prinster**, Marysville, OH (US); **Bradley Alan Schultz**, Powell, OH (US); **Kimberly Ann Rygielski**, Powell, OH (US); **Matthew L. Phillips**, Litchfield, CT (US); **Robert H. Bruno**, Avon, CT (US); **Tara Marie Zasadzinski**, Marysville, OH (US)
- (73) Assignee: **OMS Investments, Inc.**, Los Angeles, CA (US)
- (\*\*) Term: **14 Years**
- (21) Appl. No.: **29/445,794**
- (22) Filed: **Feb. 15, 2013**
- (51) **LOC (10) Cl.** ..... **11-02**
- (52) **U.S. Cl.**  
USPC ..... **D11/144**
- (58) **Field of Classification Search**  
CPC ..... A01G 31/02; A01G 31/00; A01G 9/02; A01G 9/05; A01G 9/021; A01G 9/023; A01G 9/1026; A01G 9/1086; A01G 1/001; A01G 27/00; A01G 27/02  
USPC ..... D6/300, 306, 403-405, 556-558; D7/300, 500, 509; D8/1; D11/143-156, 164; D25/100; D26/9-11, 16, 19; D34/1, 2, 4-6; D99/5, 19; 47/17, 32.4, 32.5, 32.7, 33, 47/39, 41.01, 41.1, 41.11-41.15, 44-46, 47/62, 63, 65.5, 65.9, 66.1, 66.2, 66.6, 47/66.7, 67-71

See application file for complete search history.

(56) **References Cited**

U.S. PATENT DOCUMENTS

- 1,263,783 A 4/1918 Maier
- D94,072 S 12/1934 Cantor
- D132,559 S 5/1942 Sawyer
- D134,605 S 12/1942 Hahlo-Rosenwald
- D168,092 S 11/1952 Heddu

(Continued)

FOREIGN PATENT DOCUMENTS

- WO WO 2005/055700 6/2005

OTHER PUBLICATIONS

[http://sonnylightled.com/led\\_kitchen\\_garden\\_unit.htm](http://sonnylightled.com/led_kitchen_garden_unit.htm), 5 pages, dated 2010.

(Continued)

*Primary Examiner* — Robert M Spear

*Assistant Examiner* — Marissa Cash

(74) *Attorney, Agent, or Firm* — Hunton & Williams LLP

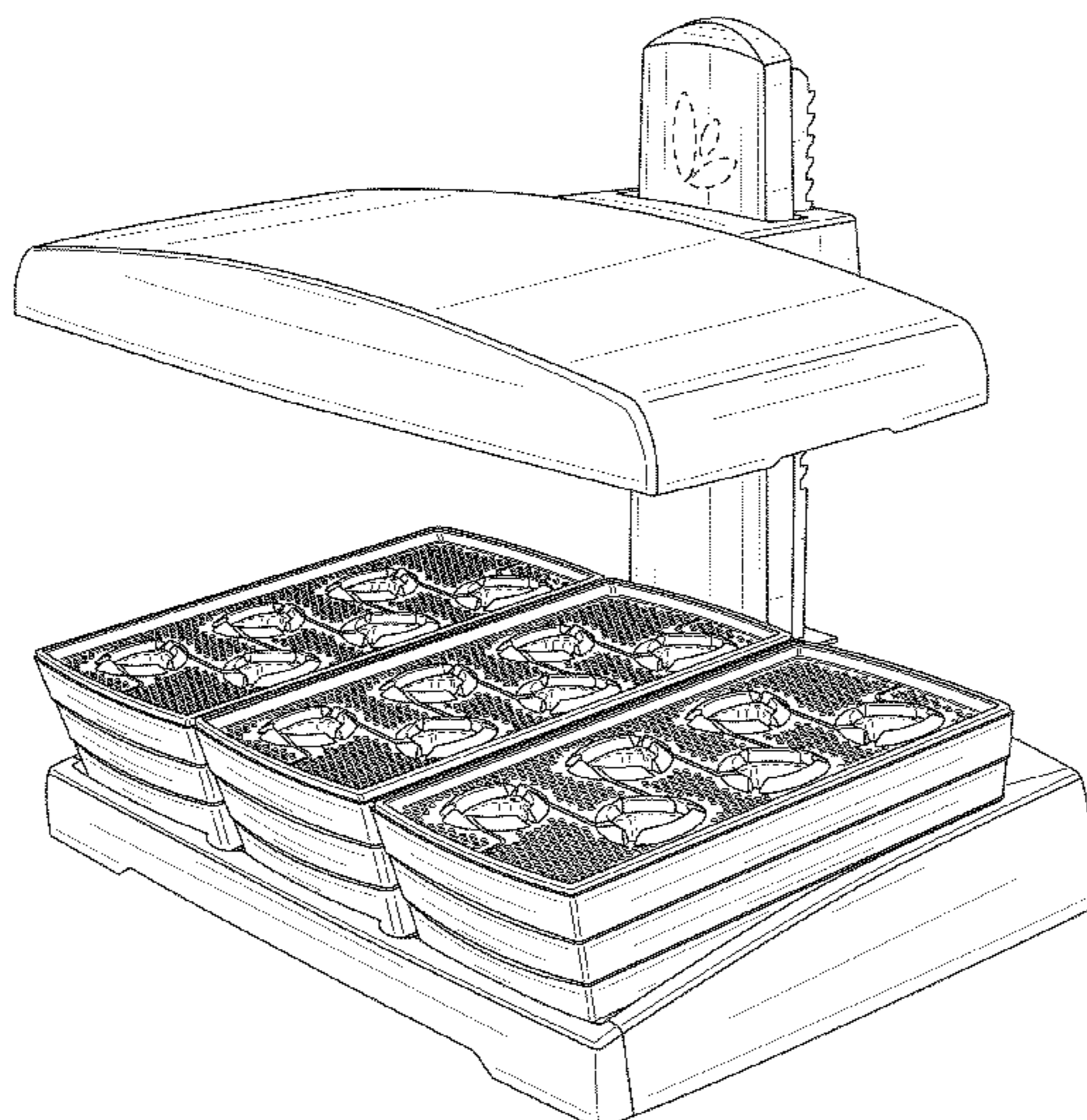
(57) **CLAIM**

We claim the ornamental design for an indoor growing unit, as shown and described.

**DESCRIPTION**

FIG. 1 is a perspective view of an indoor growing unit.  
 FIG. 2 is a front elevational view thereof.  
 FIG. 3 is a rear elevational view thereof.  
 FIG. 4 is a right side elevational view thereof.  
 FIG. 5 is a left side elevational view thereof.  
 FIG. 6 is a top plan view thereof.  
 FIG. 7 is a bottom plan view thereof.  
 FIG. 8 is a rear perspective view thereof.  
 FIG. 9 is a perspective view of thereof in a condition of use; and,  
 FIG. 10 is an exploded parts view of the components thereof. The broken lines in the drawings illustrate environmental structure on the article and form no part of the claimed design.

**1 Claim, 10 Drawing Sheets**



(56)

References Cited

U.S. PATENT DOCUMENTS

2,639,549 A 5/1953 Wubben  
 2,711,475 A 6/1955 Chadwick et al.  
 2,991,096 A 7/1961 Davidson  
 3,035,858 A 5/1962 Davidson et al.  
 3,106,043 A 10/1963 Ferrand  
 3,192,665 A 7/1965 Cloud  
 3,300,895 A 1/1967 Dosedla  
 D211,883 S 8/1968 McCrea  
 3,772,827 A 11/1973 Ware  
 D229,545 S 12/1973 Uhlig  
 D244,838 S 6/1977 LeBreux  
 D245,407 S 8/1977 Ware  
 4,118,891 A 10/1978 Kehl  
 4,170,844 A 10/1979 Steele  
 4,184,287 A 1/1980 Roth  
 4,236,353 A 12/1980 Sorenson  
 4,276,720 A 7/1981 Lyon  
 4,285,164 A 8/1981 Moore  
 4,294,037 A 10/1981 Mosse  
 4,299,054 A 11/1981 Ware  
 4,407,092 A 10/1983 Ware  
 4,428,151 A 1/1984 Solomon  
 D278,989 S 5/1985 Baumann  
 4,769,945 A 9/1988 Motoyama et al.  
 4,833,825 A 5/1989 Sprung  
 4,884,366 A 12/1989 Morton  
 4,916,858 A 4/1990 Hobson  
 D308,029 S 5/1990 Kladt  
 D315,260 S 3/1991 Kelly  
 5,010,686 A 4/1991 Rivest  
 D323,794 S \* 2/1992 Wianecki ..... D11/144  
 5,117,581 A 6/1992 Green  
 D342,335 S \* 12/1993 Bowlby ..... D26/55  
 D359,013 S 6/1995 Carlson  
 5,430,972 A 7/1995 Wianecki  
 D366,226 S \* 1/1996 Foutes ..... D11/144  
 D369,760 S 5/1996 Sanderson  
 5,641,223 A 6/1997 Rustebakke  
 D381,600 S 7/1997 Yurkovic  
 5,651,214 A 7/1997 Zucker et al.  
 5,720,129 A 2/1998 Lantinberg  
 5,799,439 A 9/1998 MacGregor  
 5,865,269 A 2/1999 Eskesen  
 D409,947 S 5/1999 Bongard  
 5,921,025 A 7/1999 Smith  
 5,941,182 A 8/1999 Greene  
 D419,483 S \* 1/2000 McGuire ..... D11/145  
 6,019,484 A 2/2000 Seyler  
 6,178,692 B1 1/2001 Graven  
 6,219,966 B1 4/2001 Lapointe  
 6,219,968 B1 4/2001 Belger et al.

6,233,871 B1 5/2001 Ho  
 6,276,089 B1 8/2001 Boisclair  
 6,418,644 B1 7/2002 Bykov et al.  
 6,418,664 B1 7/2002 Shaw  
 6,550,739 B1 4/2003 Brindisi  
 6,574,917 B2 6/2003 Boxsell  
 D485,207 S 1/2004 Dion  
 6,782,656 B2 8/2004 Washburn  
 D495,621 S 9/2004 Sikina  
 7,281,998 B2 10/2007 Tanner  
 D575,668 S 8/2008 Rashid et al.  
 7,426,802 B2 9/2008 Umbaugh  
 D586,255 S 2/2009 Rashid et al.  
 D586,688 S 2/2009 Bromley  
 D598,809 S 8/2009 Smith  
 7,587,859 B2 9/2009 Bradley  
 D604,196 S 11/2009 Bissonnette  
 D604,197 S 11/2009 Bissonnette  
 7,676,988 B2 3/2010 Bradley  
 7,805,866 B1 10/2010 Osgood  
 7,805,886 B2 10/2010 Brandstatter  
 D632,606 S 2/2011 Jalet  
 7,984,586 B2 7/2011 Brusatore  
 8,011,135 B2 9/2011 Masser  
 8,261,486 B2 \* 9/2012 Bissonnette et al. .... 47/59 R  
 D688,588 S \* 8/2013 Schultz et al. .... D11/143  
 2001/0047617 A1 12/2001 Blossom  
 2001/0047618 A1 12/2001 Fang  
 2003/0140556 A1 7/2003 Frogley  
 2005/0155286 A1 7/2005 Soukup  
 2005/0204620 A1 9/2005 Butterfield et al.  
 2005/0246954 A1 11/2005 Bissonnette et al.  
 2005/0246955 A1 11/2005 Bissonnette et al.  
 2006/0162251 A1 7/2006 Yamaguchi  
 2006/0179711 A1 8/2006 Bissonnette et al.  
 2006/0272210 A1 \* 12/2006 Bissonnette et al. .... 47/69  
 2008/0282610 A1 11/2008 Bissonnette et al.  
 2010/0107489 A1 5/2010 Silver  
 2010/0162624 A1 7/2010 Bradley  
 2010/0175318 A1 7/2010 Ahmadi  
 2010/0263274 A1 10/2010 Corak et al.  
 2010/0265697 A1 10/2010 Fredricks  
 2011/0068162 A1 3/2011 Patterson et al.  
 2011/0068235 A1 3/2011 Patterson et al.  
 2011/0219683 A1 9/2011 Sutton  
 2011/0232190 A1 9/2011 Pindus et al.  
 2011/0283614 A1 11/2011 Jaensch  
 2012/0277117 A1 11/2012 Zayed

OTHER PUBLICATIONS

www.aerogarden.com, 1 page, dated Apr. 19, 2012.

\* cited by examiner

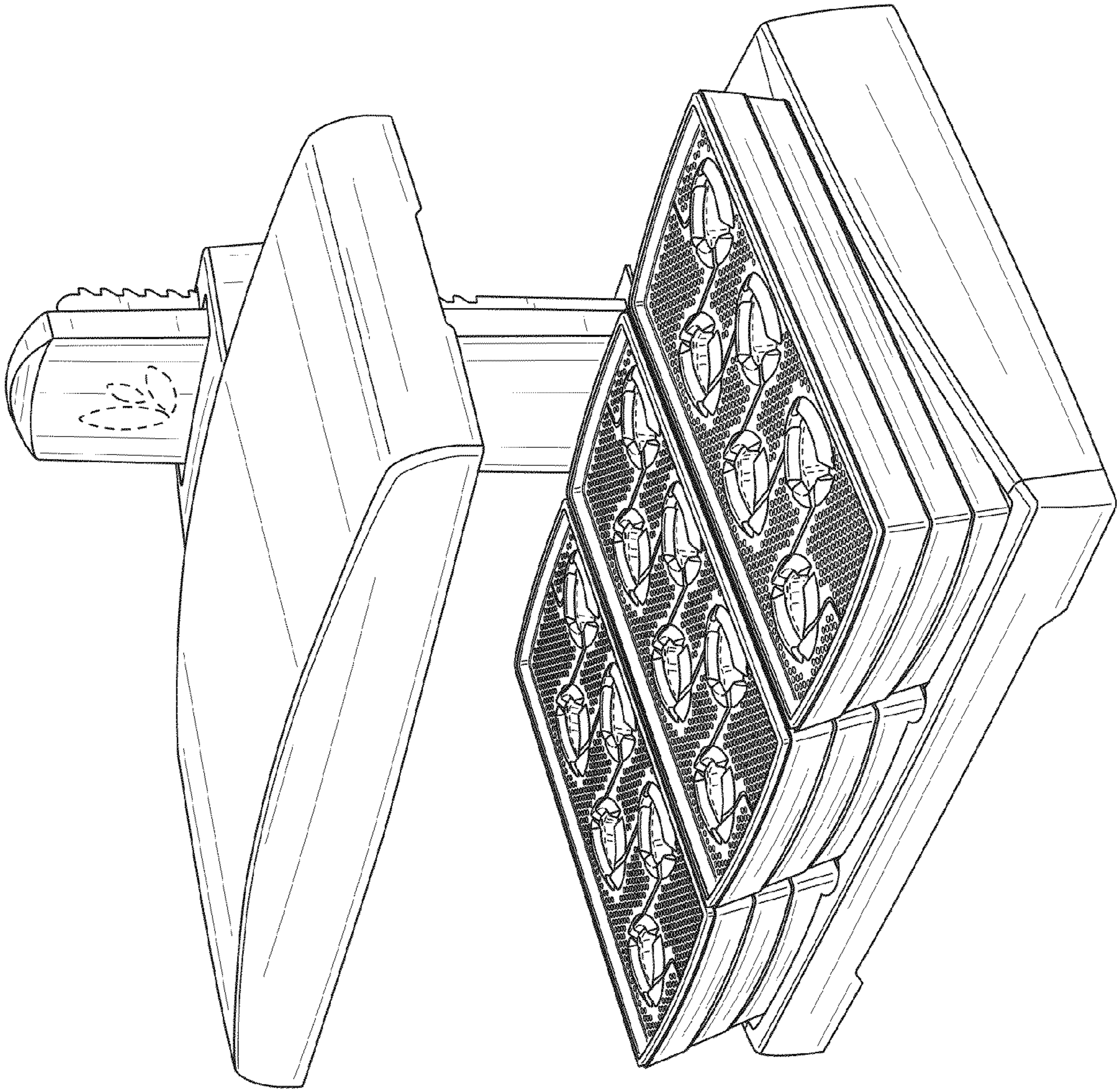


FIG. 1

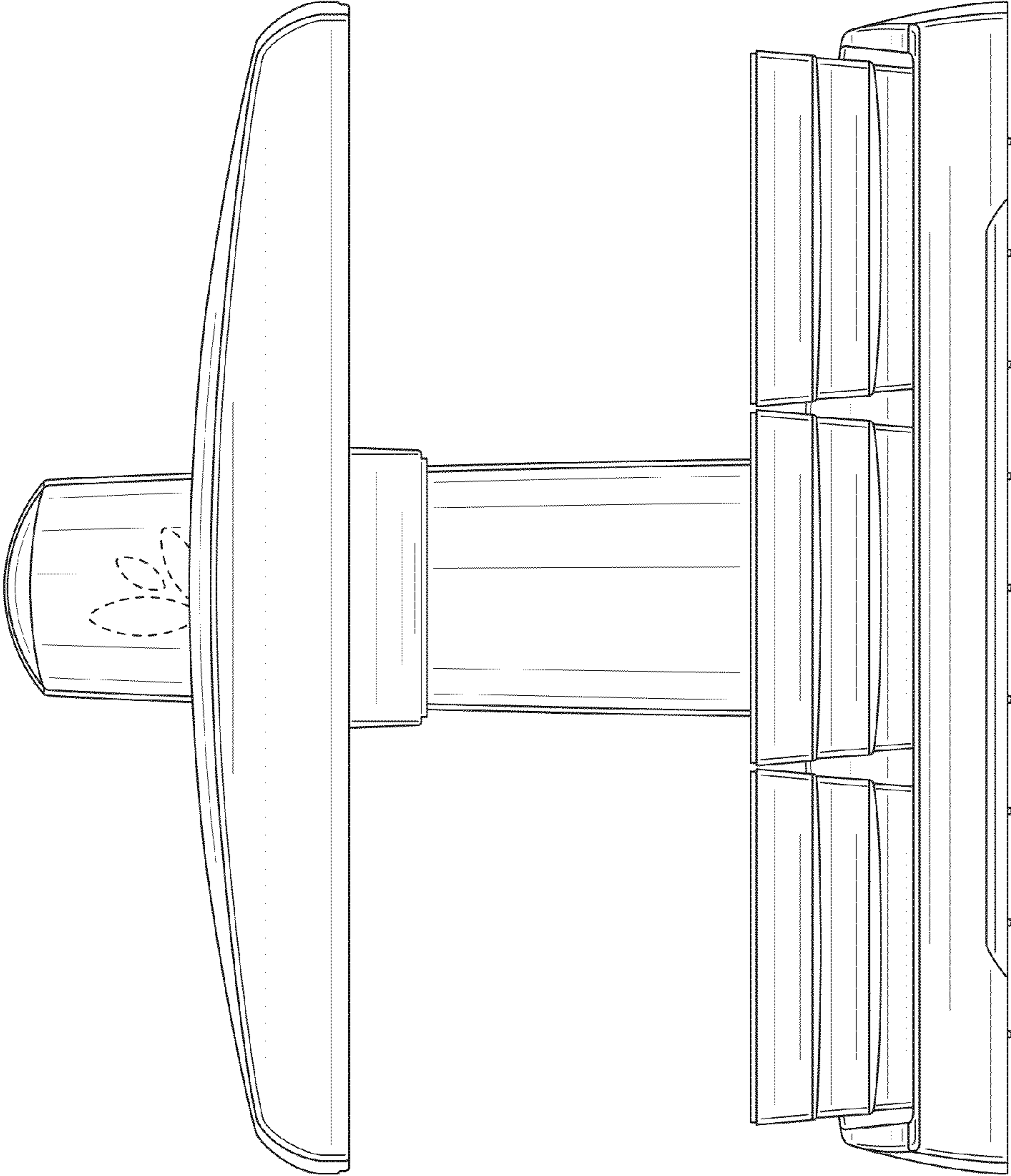


FIG. 2

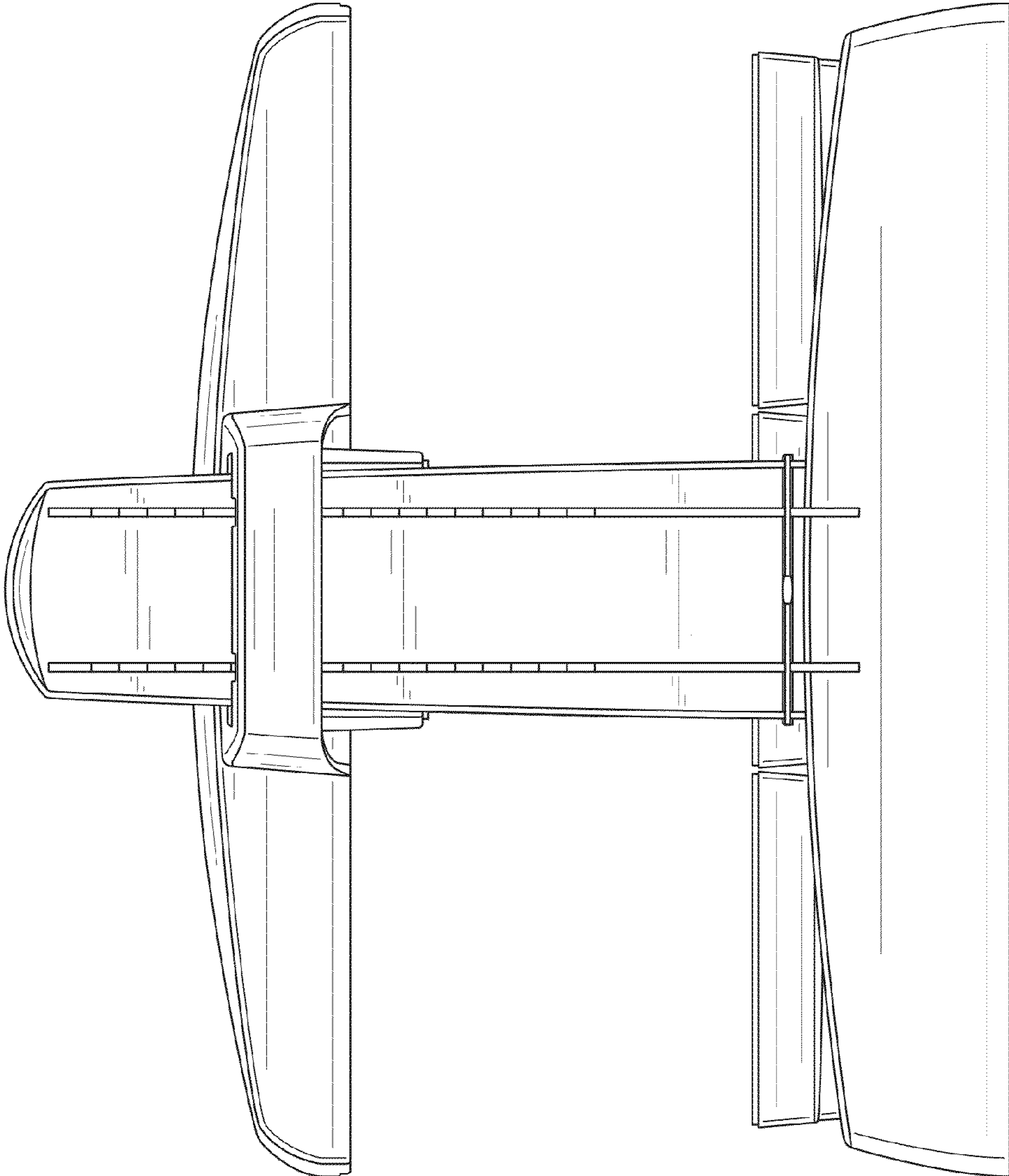


FIG. 3

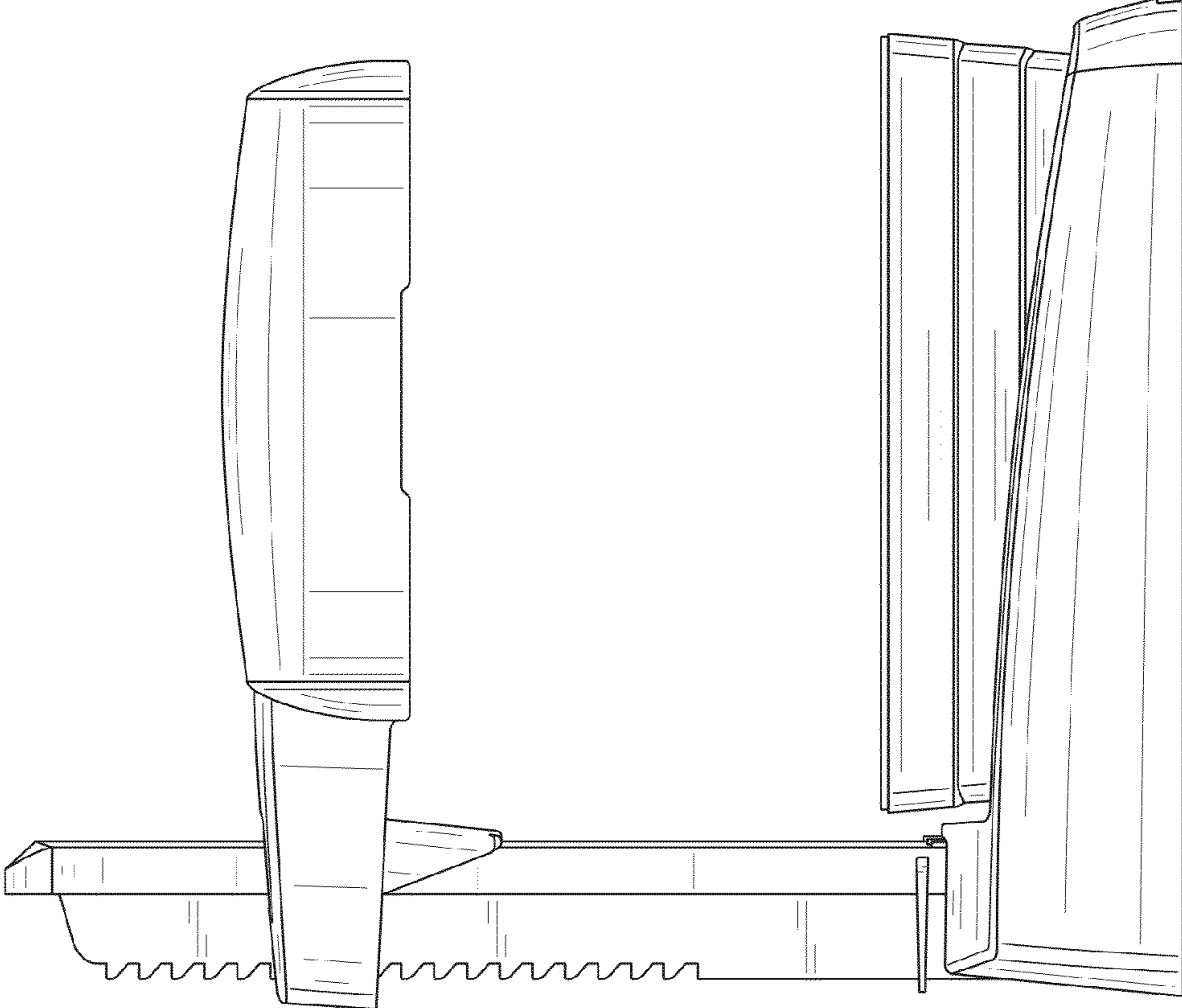


FIG. 4

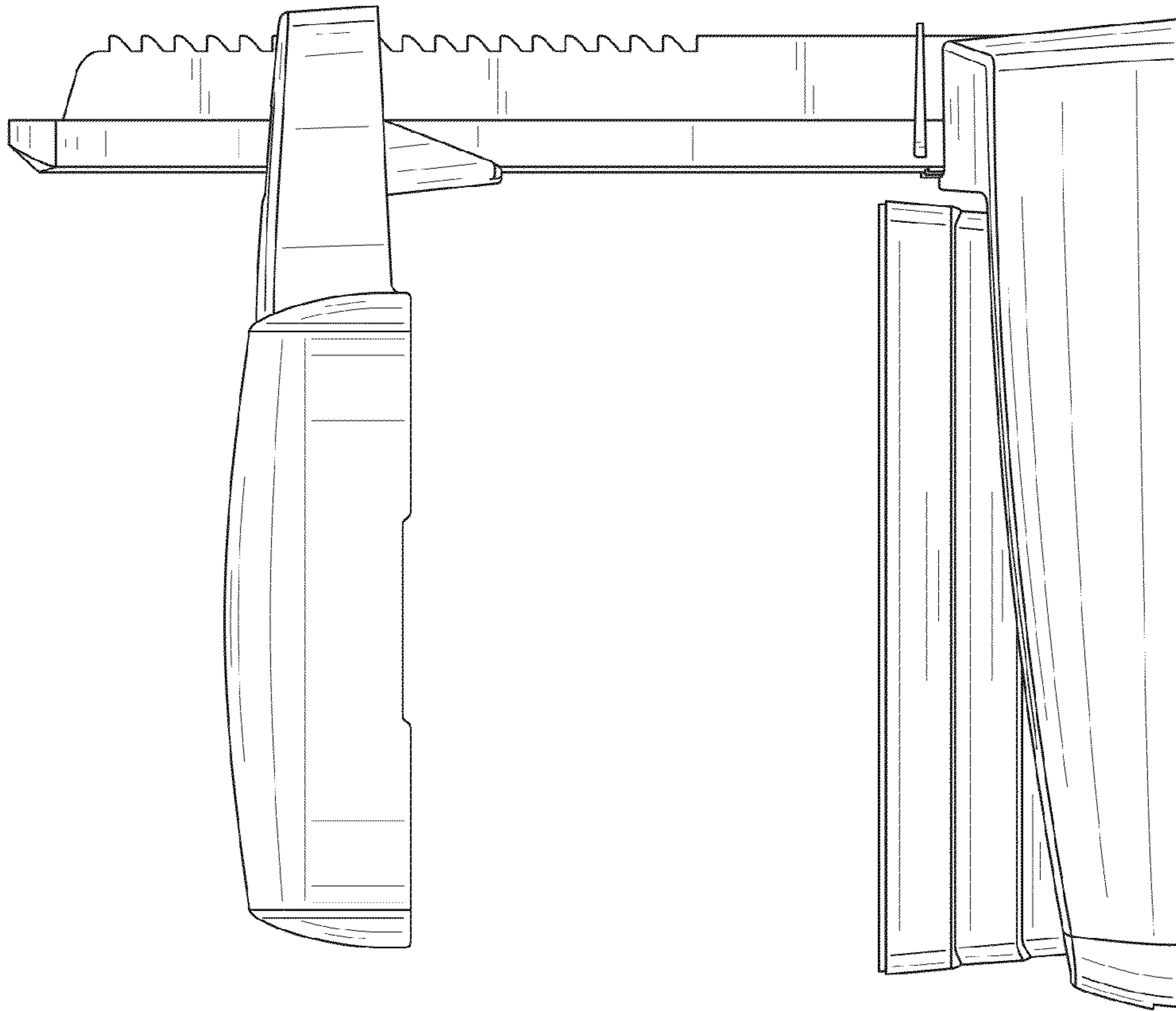


FIG. 5

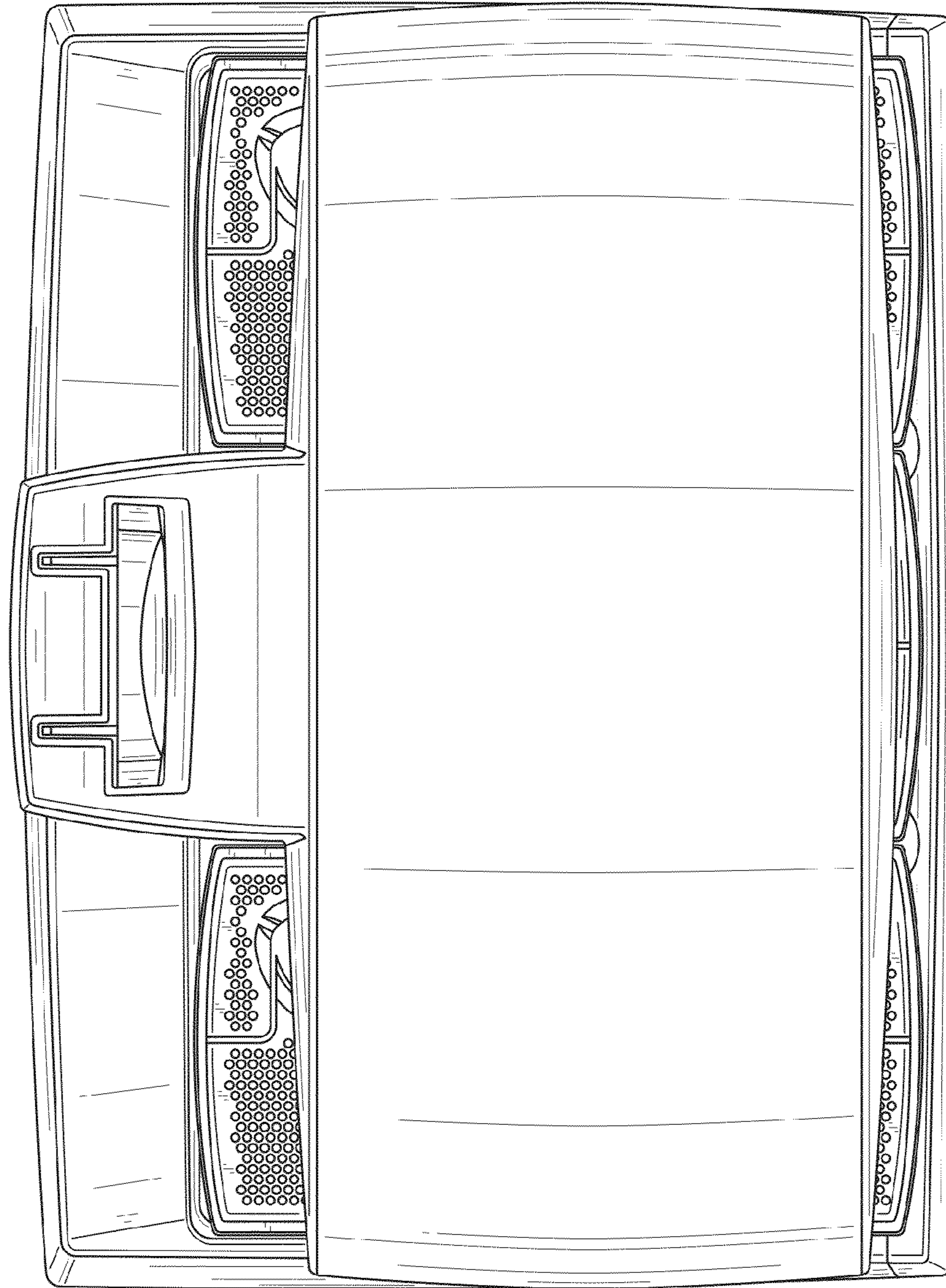


FIG. 6



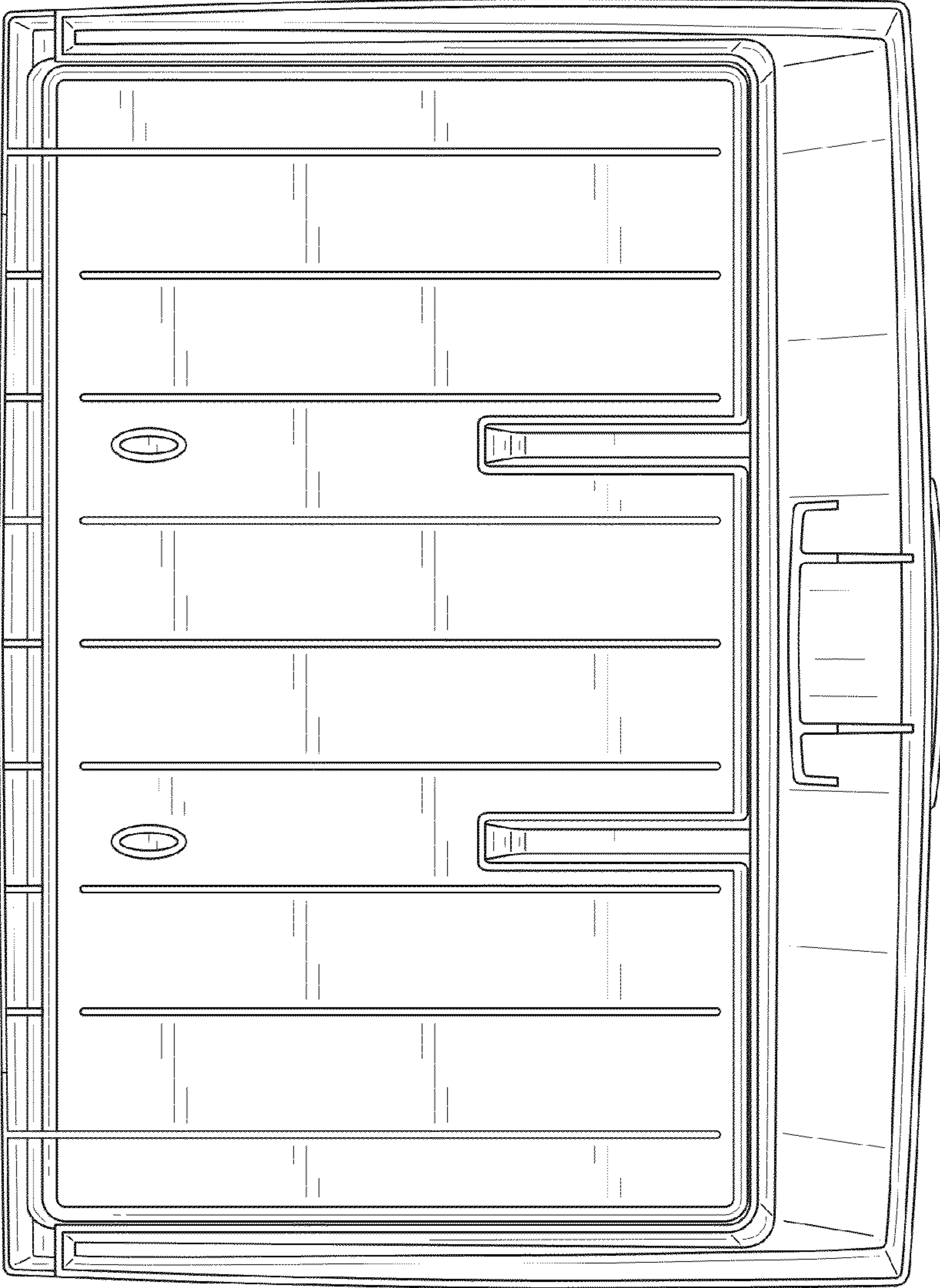


FIG. 7

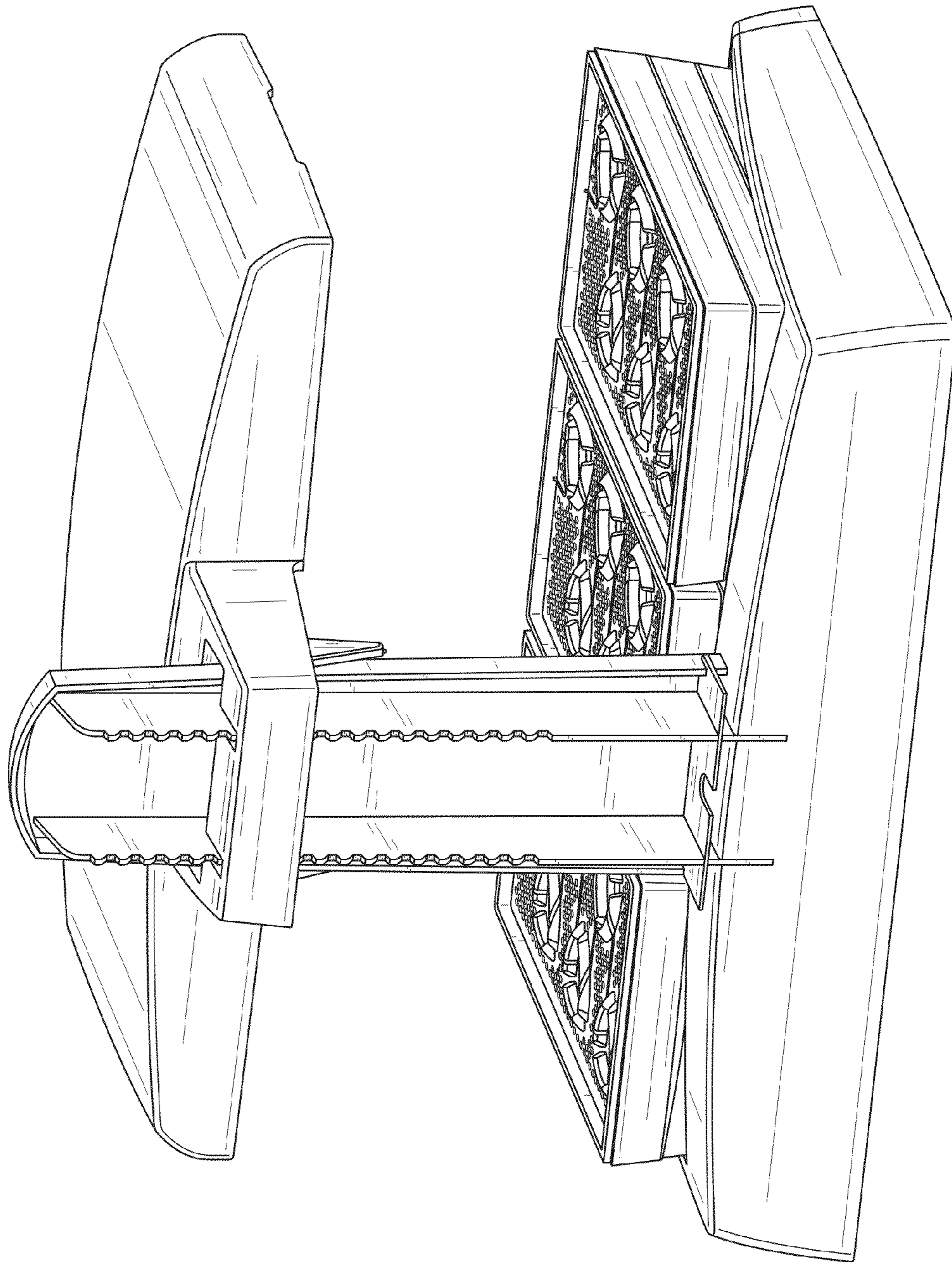


FIG. 8

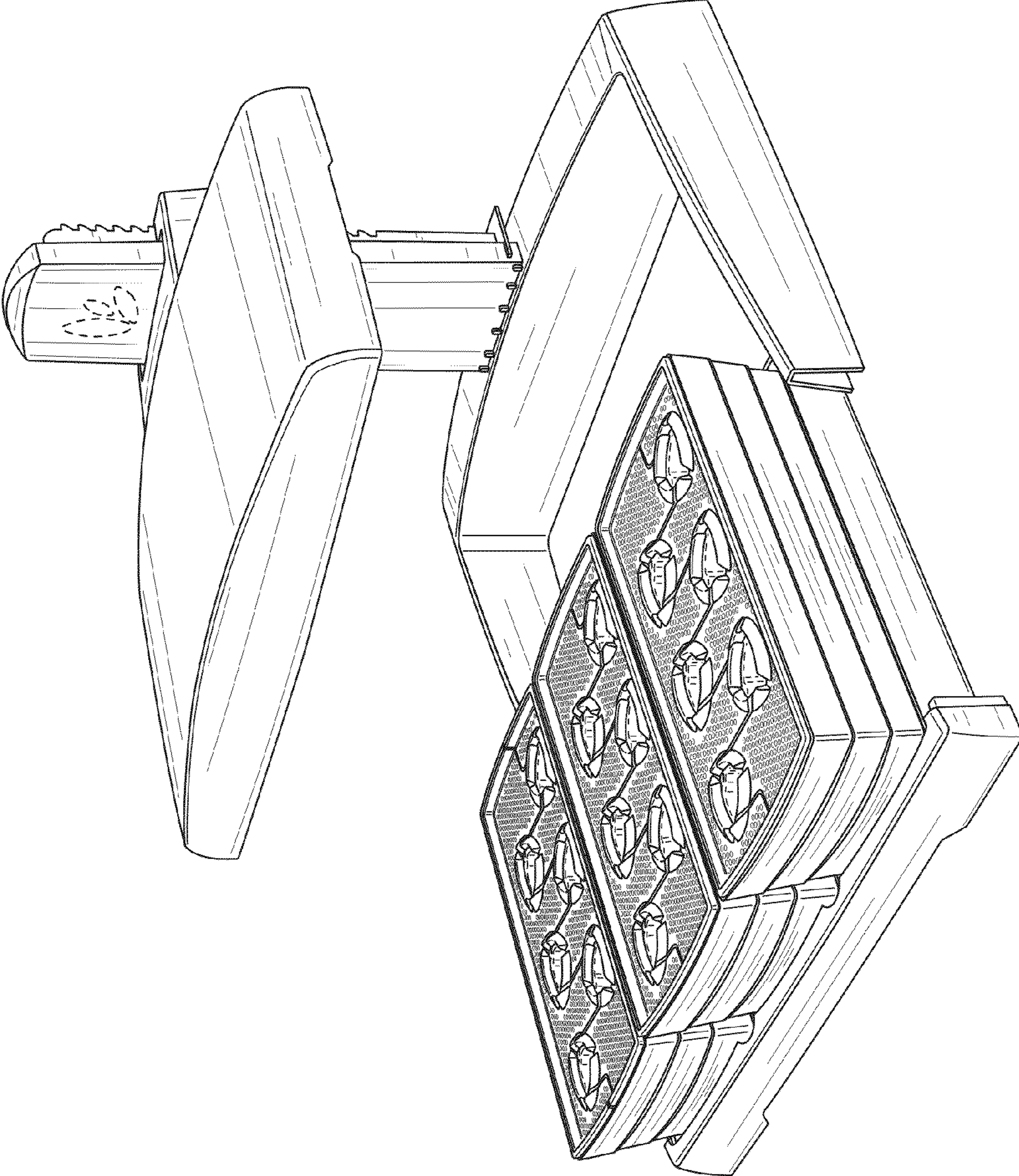


FIG. 9

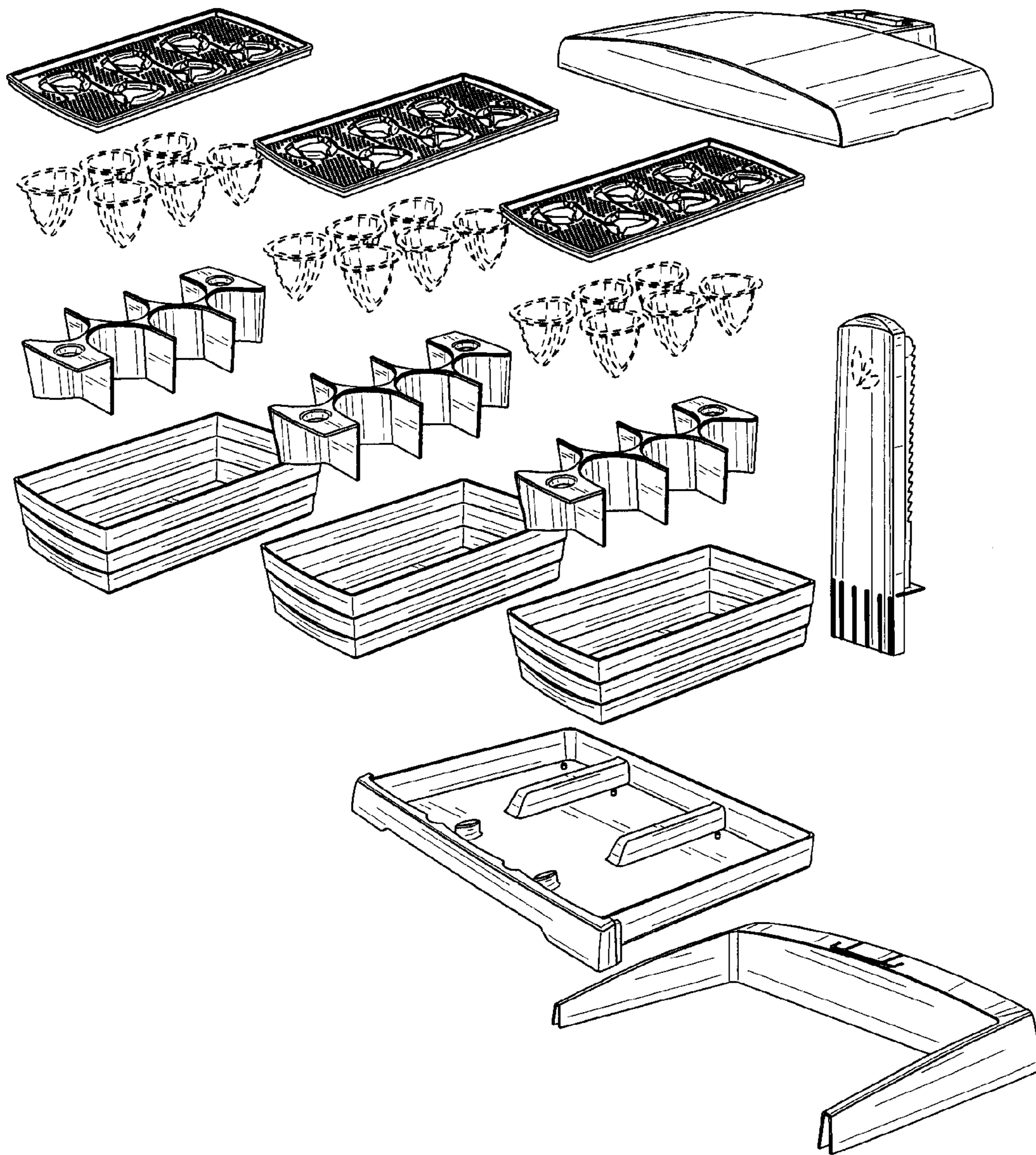


FIG. 10