



US00D729114S

(12) **United States Design Patent**  
**Romley**

(10) **Patent No.:** **US D729,114 S**  
(45) **Date of Patent:** **\*\* May 12, 2015**

- (54) **CHRISTMAS TREE ORNAMENT**
- (71) Applicant: **Michael Romley**, Phoenix, AZ (US)
- (72) Inventor: **Michael Romley**, Phoenix, AZ (US)
- (\*\*) Term: **14 Years**
- (21) Appl. No.: **29/462,688**
- (22) Filed: **Aug. 7, 2013**
- (51) **LOC (10) Cl.** ..... **11-05**
- (52) **U.S. Cl.**  
USPC ..... **D11/121**
- (58) **Field of Classification Search**  
USPC ..... D11/117, 121, 124, 125, 130, 131, 132,  
D11/133, 140, 143, 152, 153, 157, 164;  
D7/509, 533, 536, 586, 602, 603, 608,  
D7/619.1; 428/7, 8, 9, 12, 19; 220/675,  
220/703; 604/78; 206/217, 218, 219;  
229/400, 402, 405

See application file for complete search history.

(56) **References Cited**

**U.S. PATENT DOCUMENTS**

2,969,901	A *	1/1961	Behrens	229/400
3,091,360	A *	5/1963	Edwards	206/520
D199,336	S *	10/1964	Wanderer	D9/429
3,186,850	A *	6/1965	Anthony	426/86
3,199,757	A *	8/1965	McConnell	229/400
3,342,370	A *	9/1967	Johnson	206/520
D210,767	S *	4/1968	Anglada	D7/532
3,375,954	A *	4/1968	Honkanen et al.	206/520
D212,279	S *	9/1968	Bennett	D7/532
3,519,165	A *	7/1970	Hawley	206/519

D272,794	S *	2/1984	Dart	D7/532
D273,651	S *	5/1984	Emrick	D7/523
D342,296	S *	12/1993	Grube et al.	D11/121
6,224,954	B1 *	5/2001	Mitchell et al.	428/34.2
D529,341	S *	10/2006	Hsu	D7/523
D613,554	S *	4/2010	Koennecke	D7/509
D624,788	S *	10/2010	Koennecke	D7/509
D635,399	S *	4/2011	DelVecchio	D7/523
D722,823	S *	2/2015	Del Mar Menendez	D7/507
2003/0015582	A1 *	1/2003	Handel	229/403
2003/0226882	A1 *	12/2003	Porchia et al.	229/403
2005/0061821	A1 *	3/2005	Smith et al.	220/675

\* cited by examiner

*Primary Examiner* — Elizabeth J Oswecki

(74) *Attorney, Agent, or Firm* — Venjuris, P.C.; Joseph R. Meaney

(57) **CLAIM**

The design for a Christmas tree ornament, as shown and described.

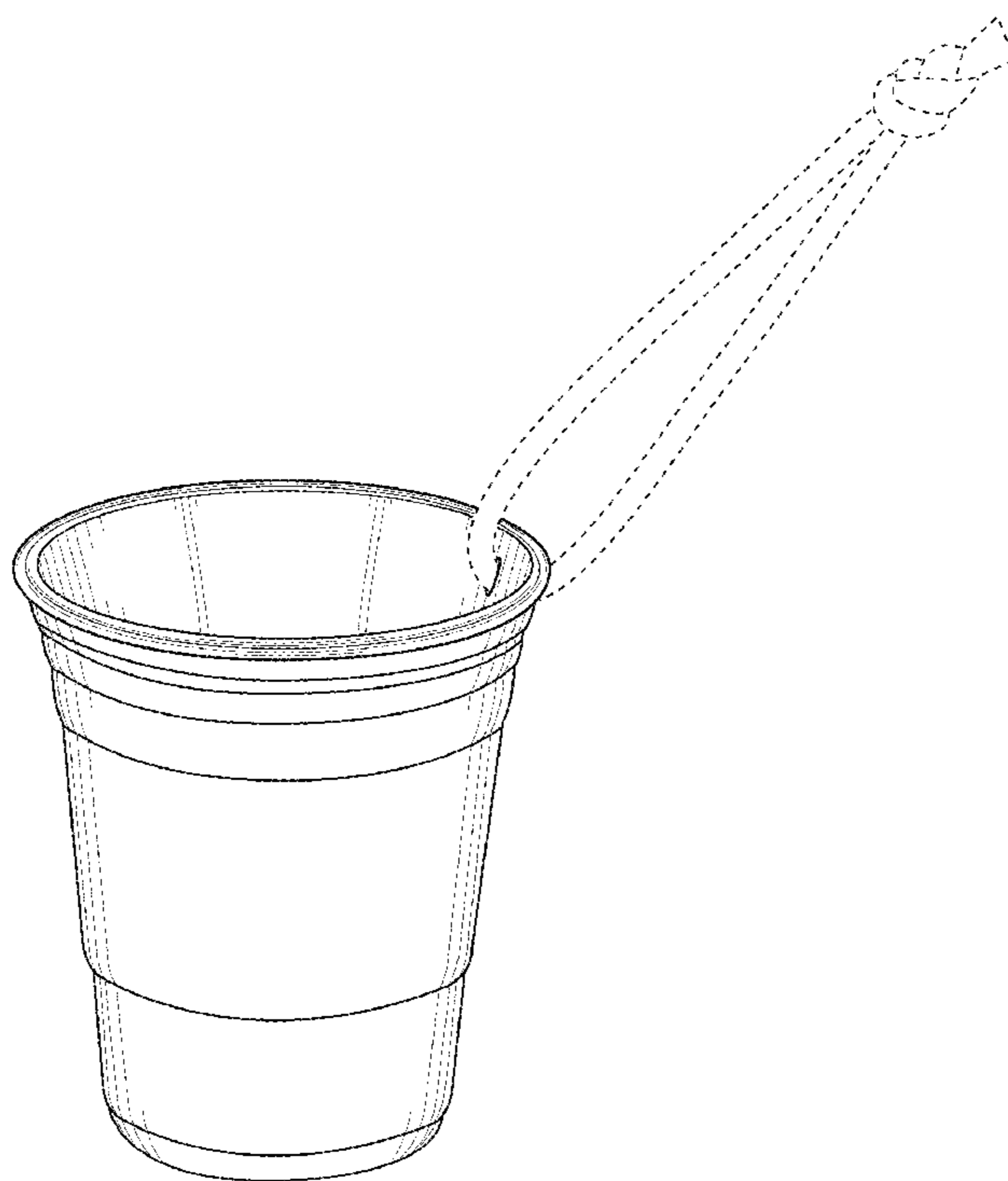
**DESCRIPTION**

FIG. 1 is a top front perspective view of a Christmas tree ornament showing my new design;  
FIG. 2 is a side view thereof;  
FIG. 3 is another side view thereof;  
FIG. 4 is another side view thereof; and,  
FIG. 5 is a top view thereof.

The broken lines shown in the drawings represent portions of the Christmas tree ornament that form no part of the claimed design.

All surfaces not shown form no part of the claimed design.

**1 Claim, 5 Drawing Sheets**



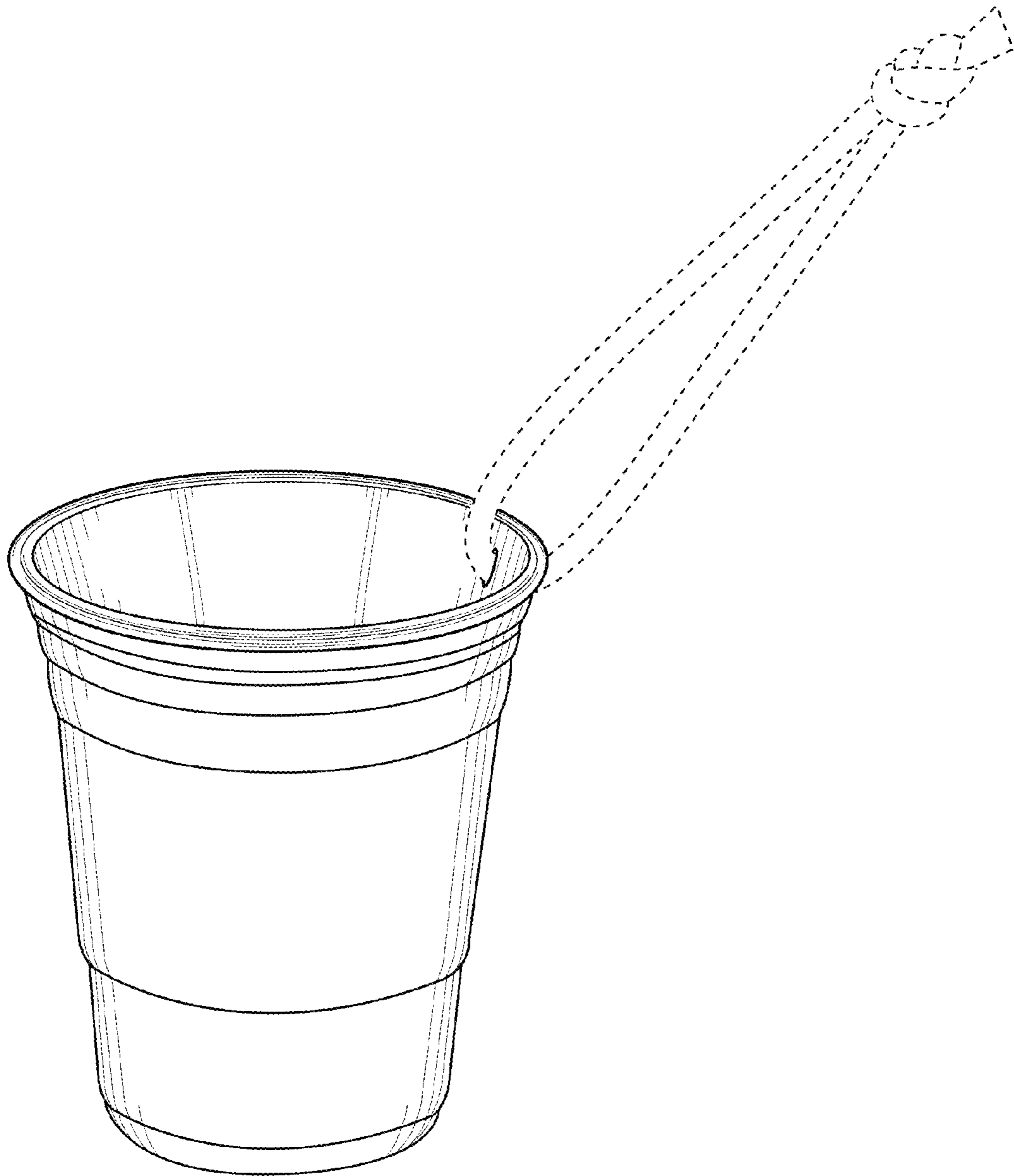


FIG. 1

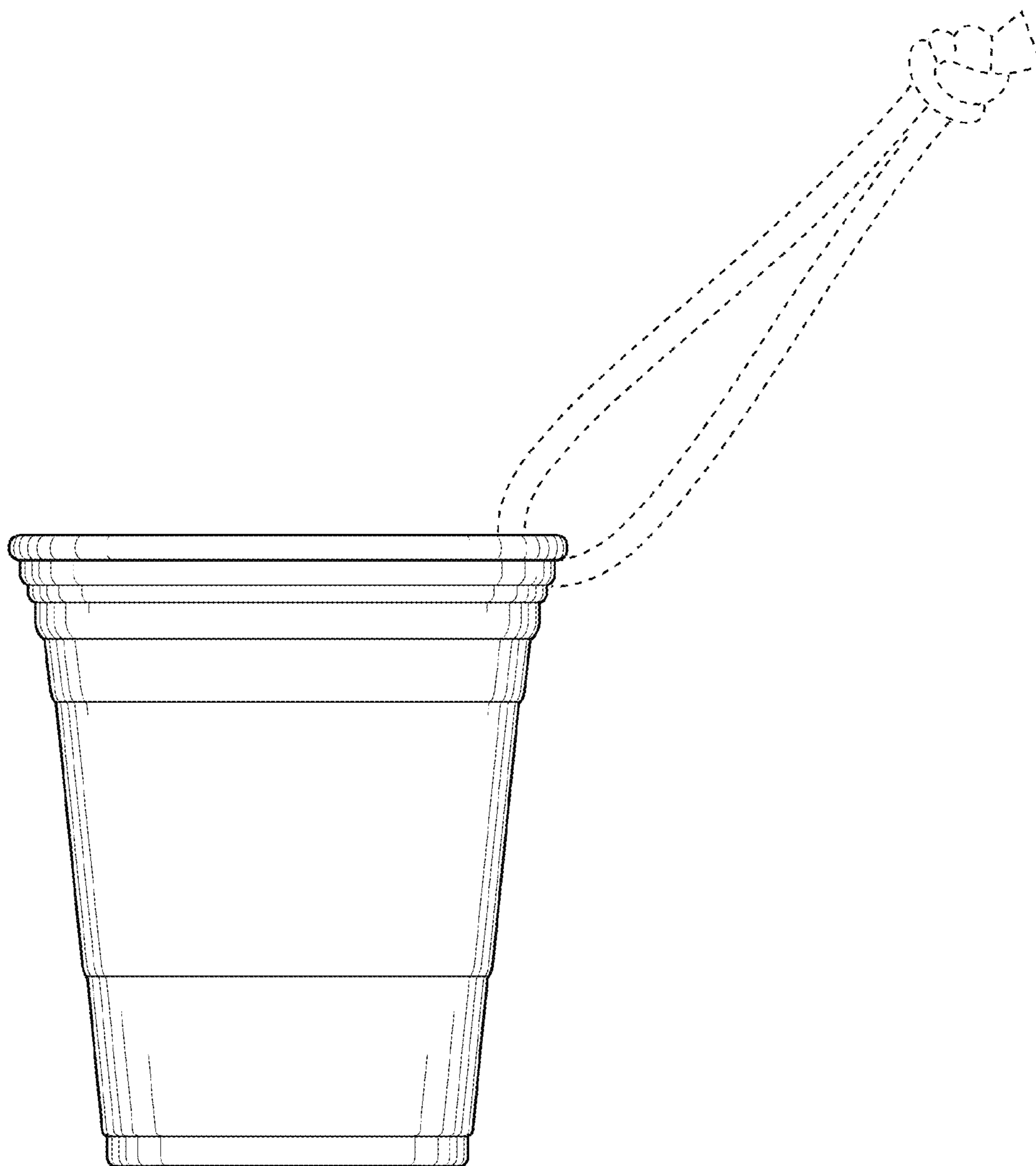


FIG. 2

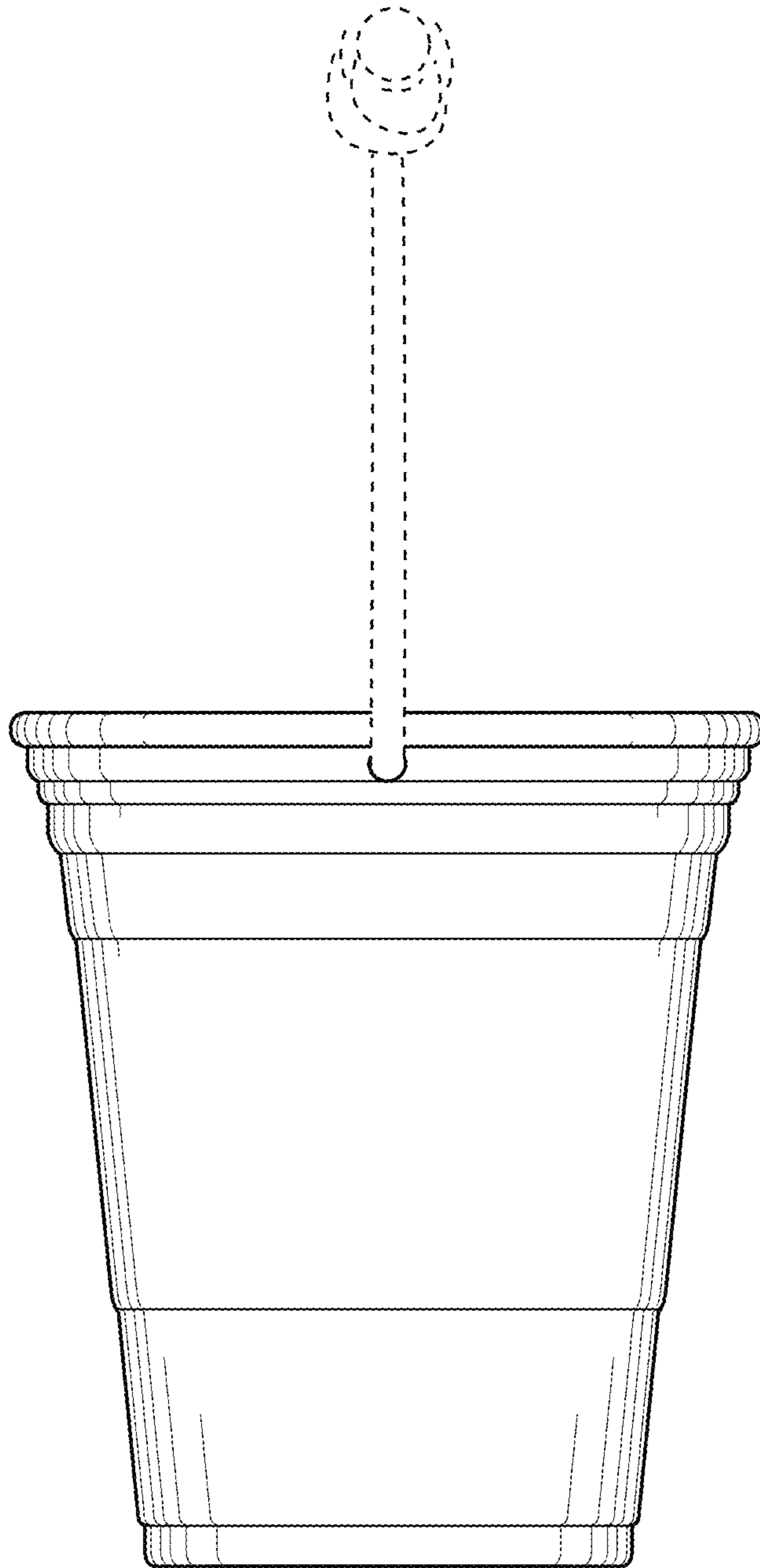


FIG. 3

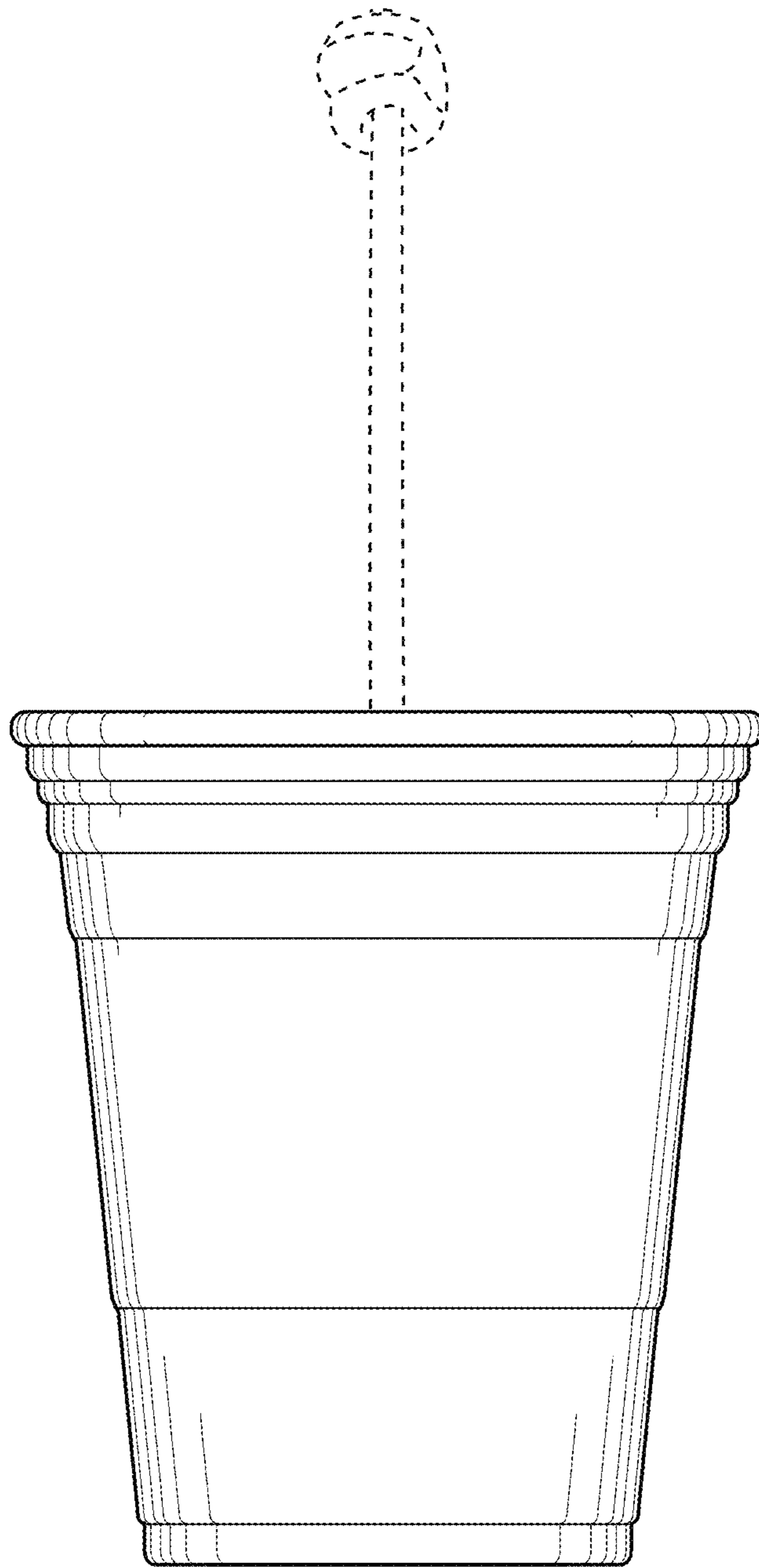


FIG. 4

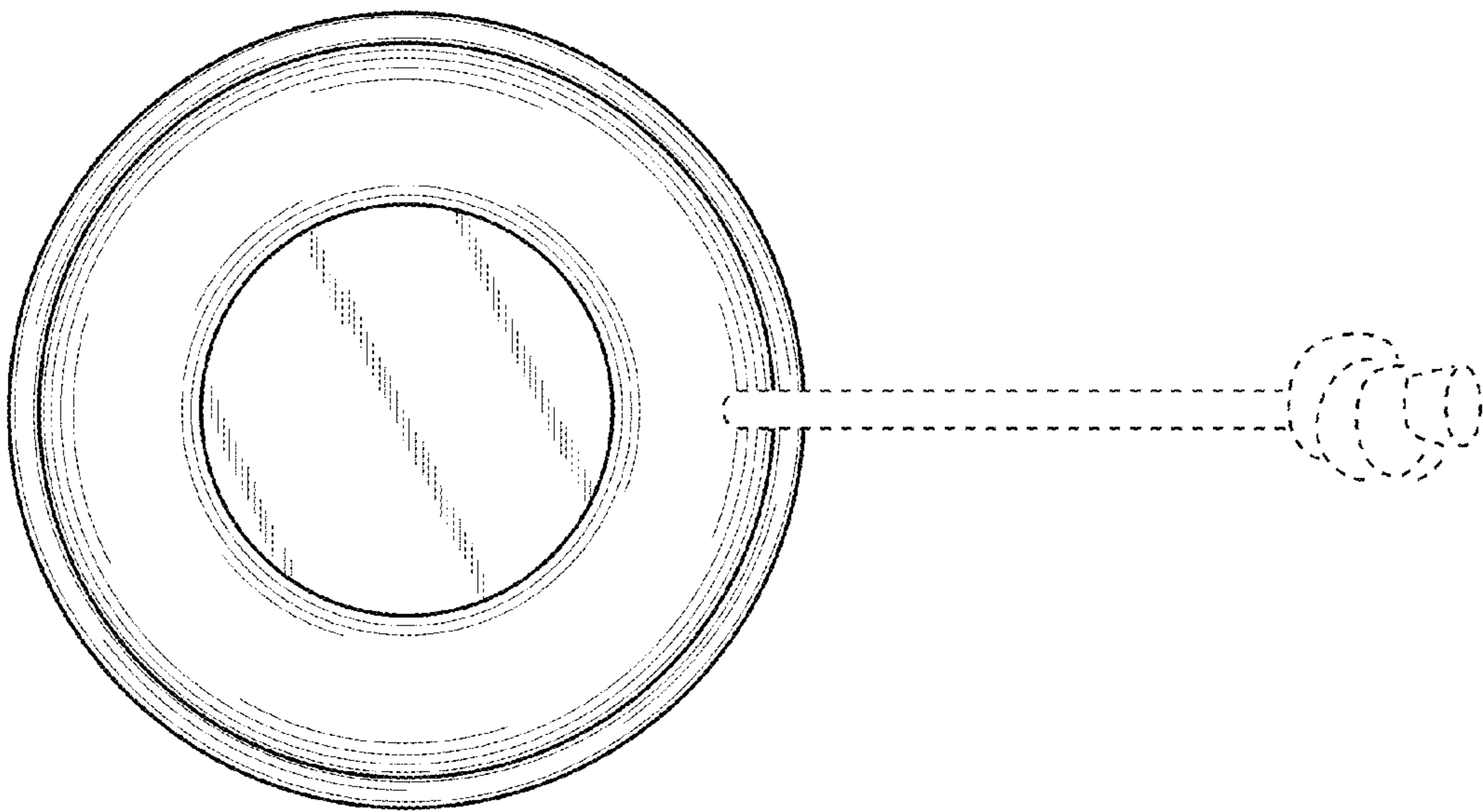


FIG. 5