

US00D729113S

(12) **United States Design Patent**
Yatsugi-Kang

(10) **Patent No.:** **US D729,113 S**

(45) **Date of Patent:** **** May 12, 2015**

(54) **CHARM**

(71) Applicant: **Harry Winston SA**, Plan-les-Ouates (CH)

(72) Inventor: **Rie Yatsugi-Kang**, Cresskill, NJ (US)

(73) Assignee: **Harry Winston SA**, Plan-les-Ouates (CH)

(**) Term: **14 Years**

(21) Appl. No.: **29/502,173**

(22) Filed: **Sep. 12, 2014**

(30) **Foreign Application Priority Data**

Mar. 12, 2014 (WO) DM/083 128

(51) **LOC (10) Cl.** **11-03**

(52) **U.S. Cl.**
USPC **D11/96; D11/79**

(58) **Field of Classification Search**
USPC D11/95–116, 121, 4, 7, 9, 45, 79, 81;
63/1.11, 1.12, 1.13, 1.14, 1.16, 1.18,
63/13, 14.1, 35, 39, 19; D99/17, 23, 25,
D99/27, 30

See application file for complete search history.

(56) **References Cited**

U.S. PATENT DOCUMENTS

D189,687 S * 1/1961 McAllister D11/81
D226,969 S * 5/1973 Quigley D11/81

D256,399 S * 8/1980 Barr D99/27
D300,079 S * 2/1989 Smith D11/96
D355,144 S * 2/1995 Cord D11/81
D365,781 S * 1/1996 Osborn D11/96
D408,318 S * 4/1999 Zuzul D11/96
D485,206 S * 1/2004 Pachachi D11/96
D487,232 S * 3/2004 Pachachi D11/96
D500,261 S * 12/2004 Pachachi D11/96
D507,202 S * 7/2005 Soderholm et al. D11/96
D511,711 S * 11/2005 Steshik D11/96
D580,815 S * 11/2008 Powell D11/96
D637,107 S * 5/2011 Baker D11/96
D666,121 S * 8/2012 Schmidt D11/96

* cited by examiner

Primary Examiner — T. Chase Nelson

Assistant Examiner — Mark Cavanna

(74) *Attorney, Agent, or Firm* — Donald J. Ranft; Kristen A. Mogavero; Collen IP

(57) **CLAIM**

The ornamental design for a charm, as shown.

DESCRIPTION

FIG. 1 is a front left perspective view of a charm showing my new design;

FIG. 2 is a front view thereof;

FIG. 3 is a rear view thereof;

FIG. 4 is a left side view thereof;

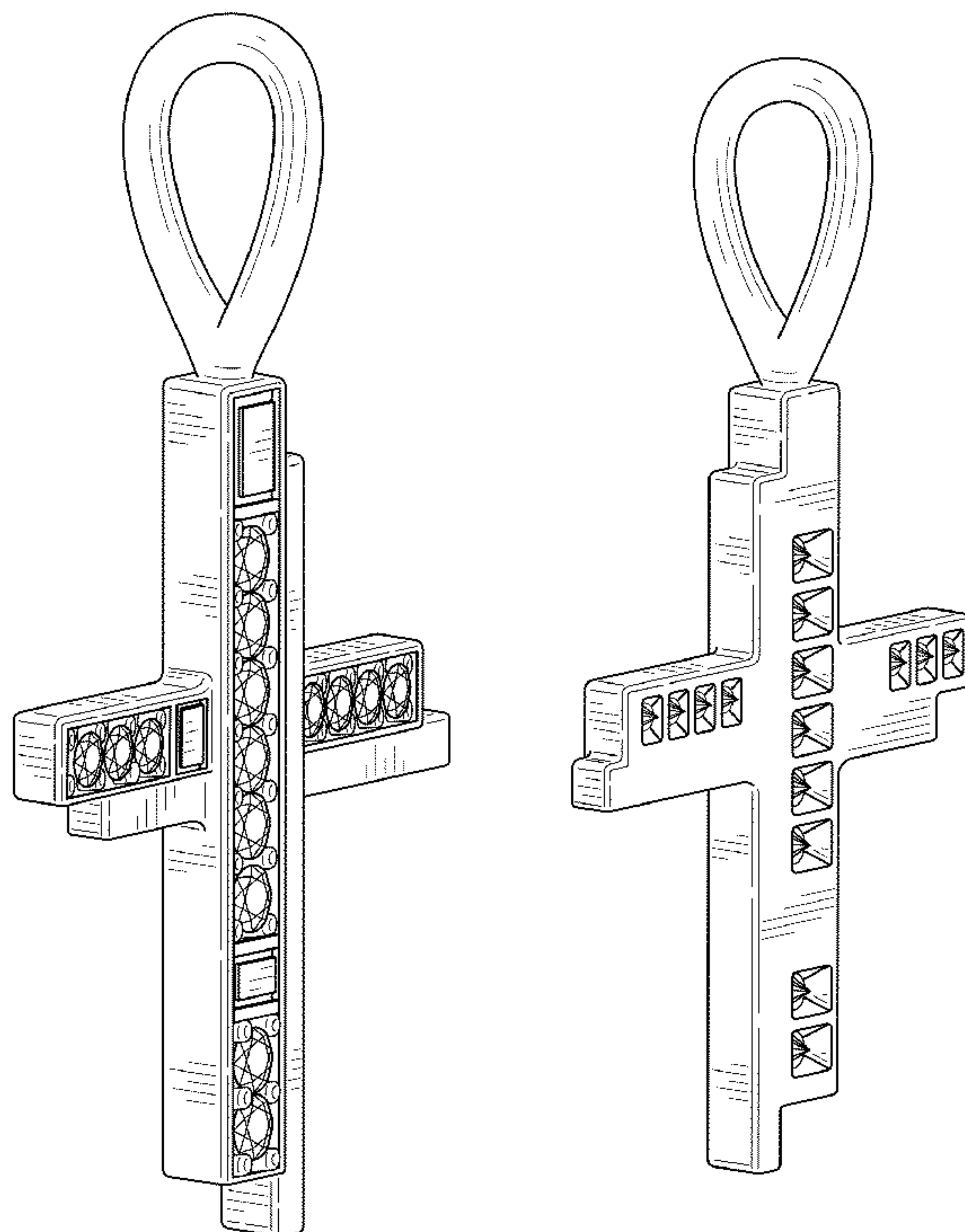
FIG. 5 is a right side view thereof;

FIG. 6 is a top view thereof;

FIG. 7 is a bottom view thereof; and,

FIG. 8 is a rear right perspective view thereof.

1 Claim, 5 Drawing Sheets



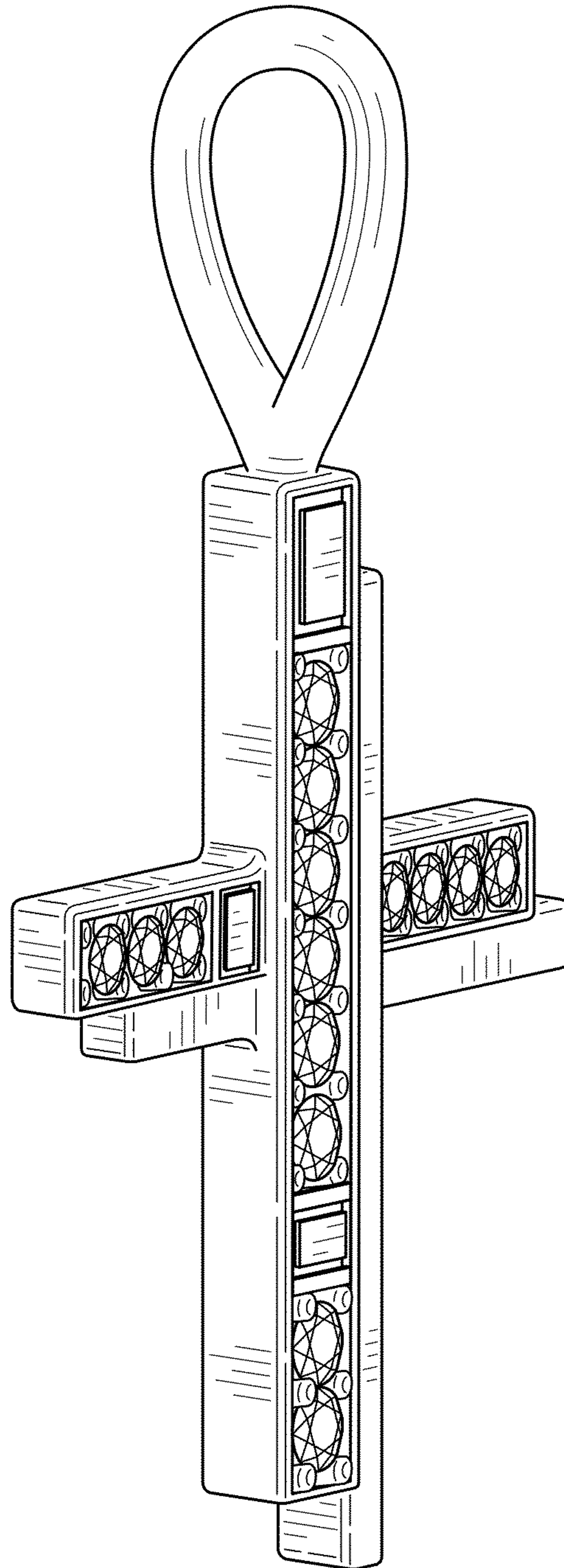


FIG. 1

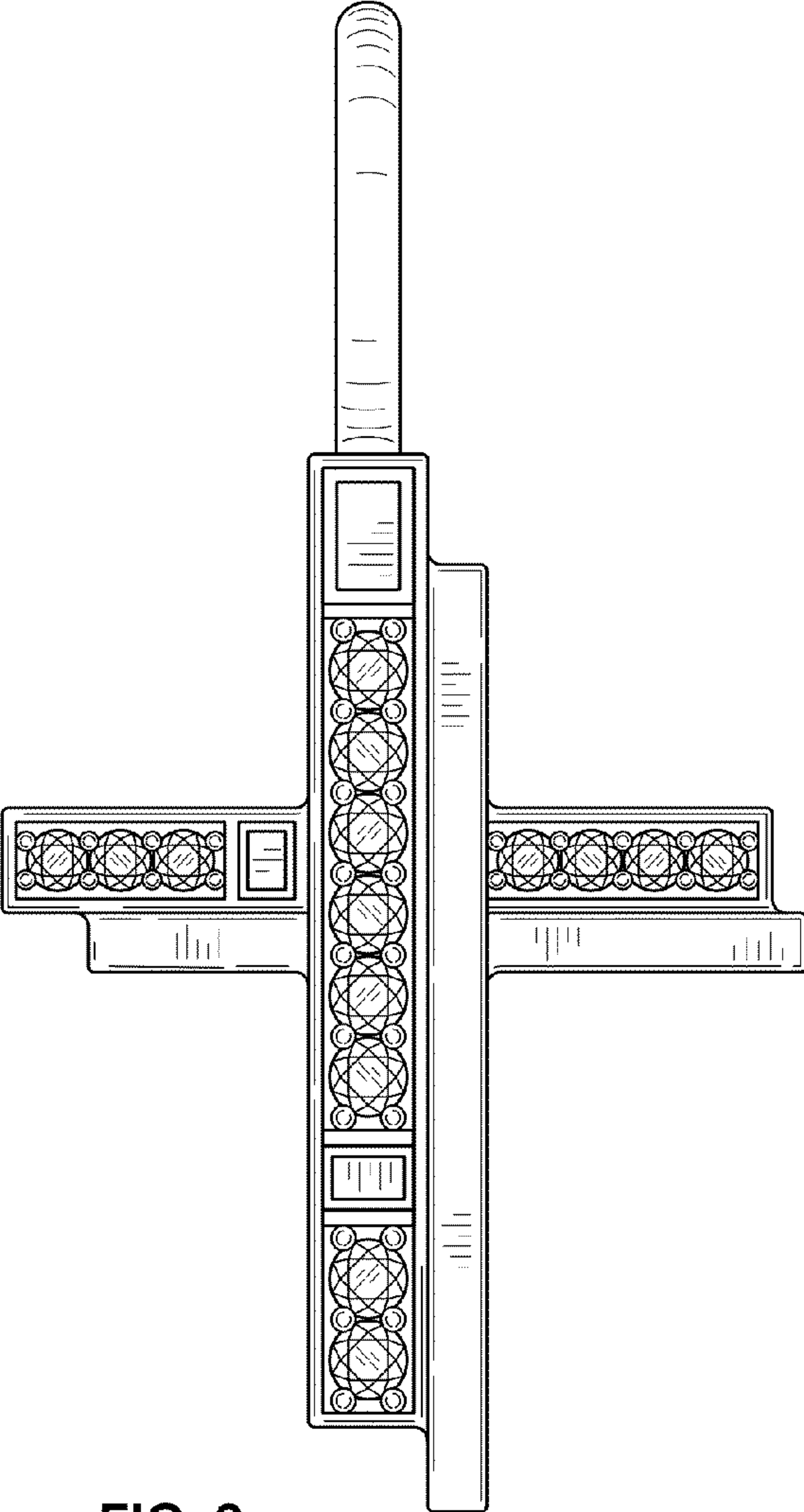


FIG. 2

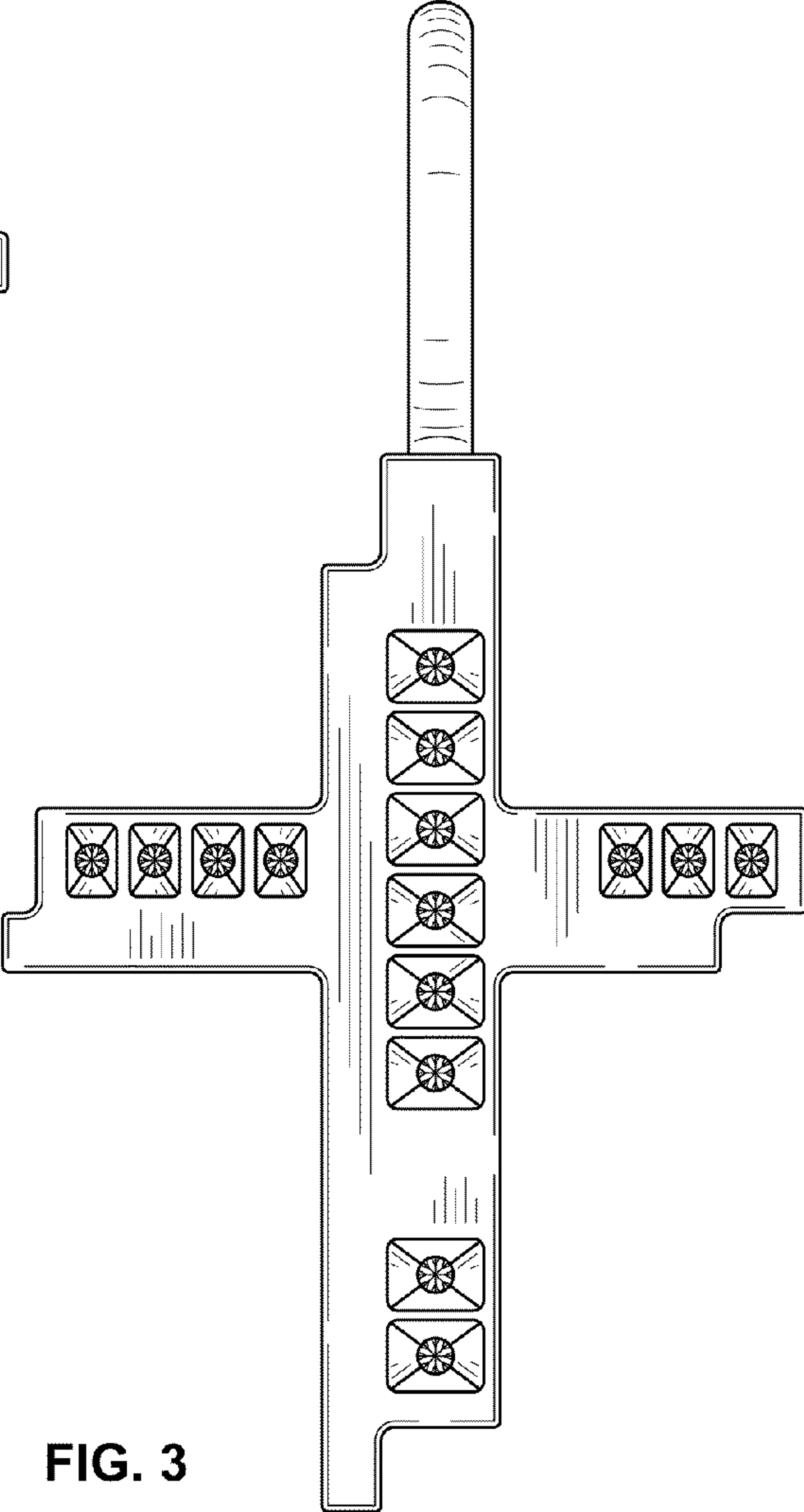


FIG. 3

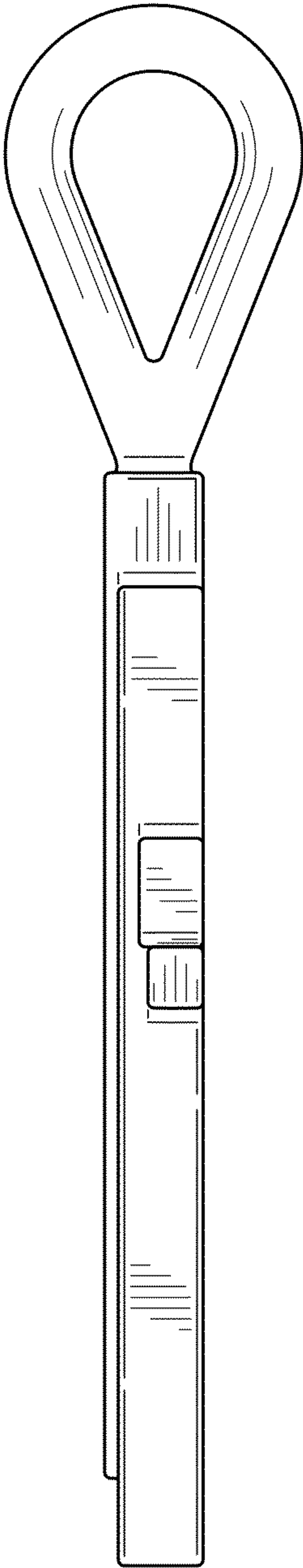


FIG. 4

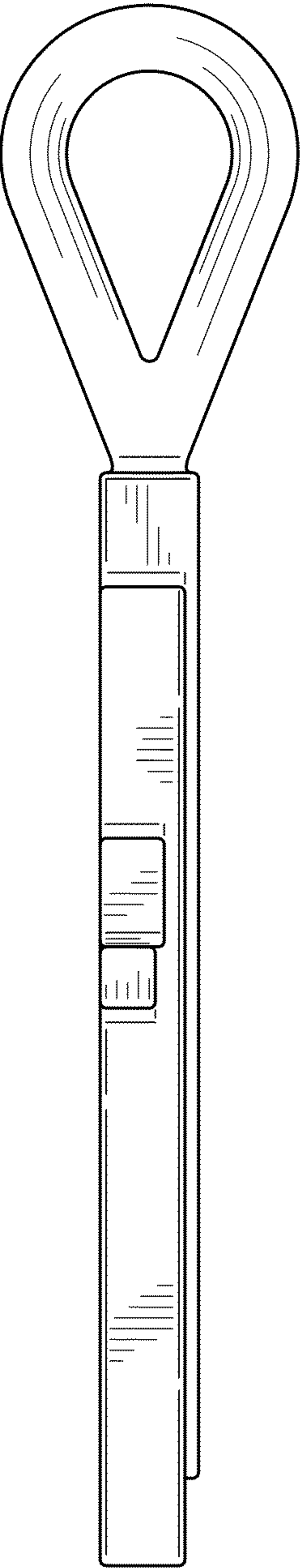


FIG. 5

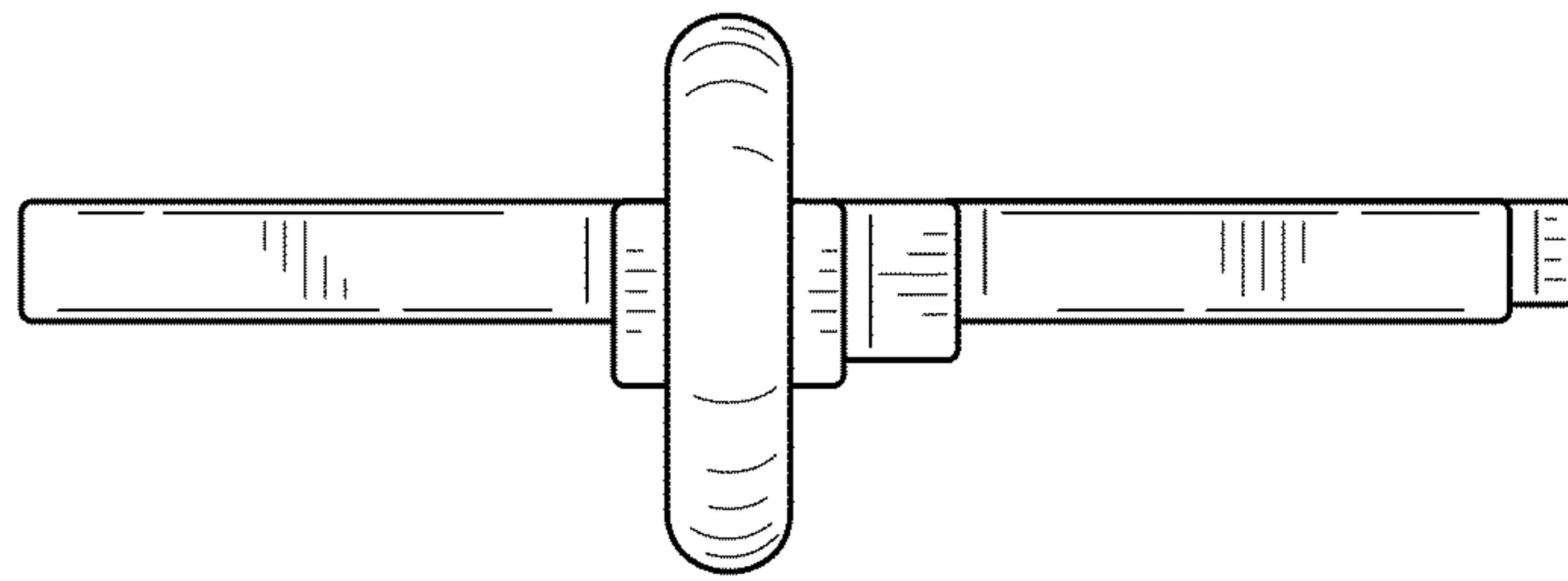


FIG. 6

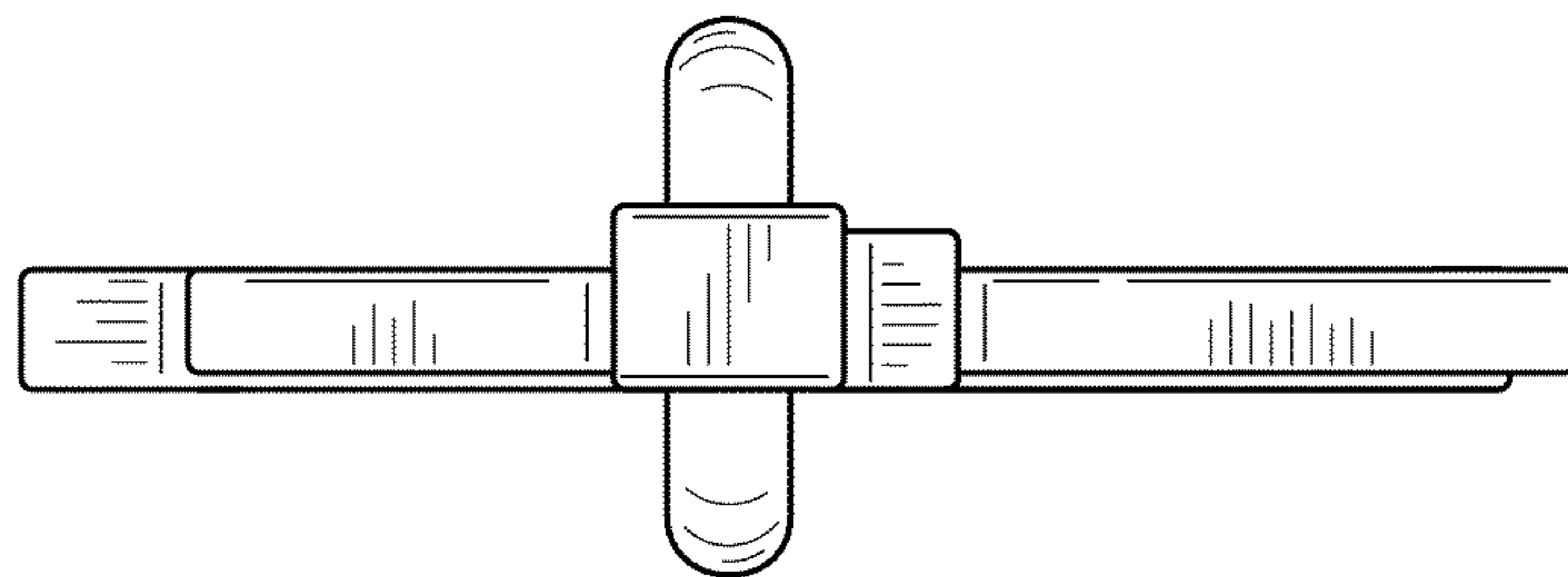


FIG. 7

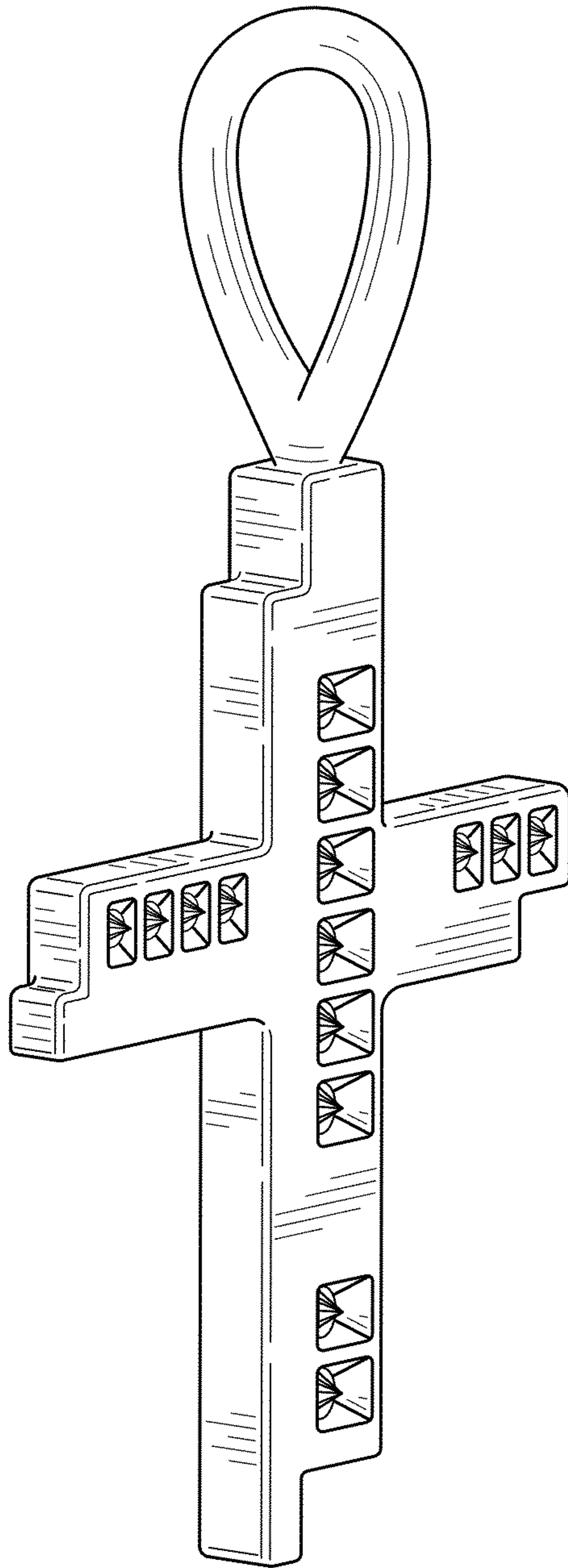


FIG. 8