

US00D729111S

(12) **United States Design Patent**
Yatsugi-Kang

(10) **Patent No.:** **US D729,111 S**

(45) **Date of Patent:** **** May 12, 2015**

(54) **CHARM**

D701,788 S * 4/2014 Pasquetti D11/81
D718,651 S * 12/2014 Yatsugi-Kang D11/79
D719,052 S * 12/2014 Yatsugi-Kang D11/81

(71) Applicant: **Harry Winston SA**, Plan-les-Ouates
(CH)

OTHER PUBLICATIONS

(72) Inventor: **Rie Yatsugi-Kang**, Cresskill, NJ (US)

[Online] <http://www.harrywinston.com/store/jewels/charms-collection/products/fifth-avenue-vault-by-harry-winston-in-platinum>. Retrieved Dec. 25, 2014.*

(73) Assignee: **Harry Winston SA**, Plan-les-Ouates
(CH)

[Online] <https://www.mannsjewelers.com/rsc/item/SR-Diamond-Padlock-Pendant-Necklace-4615049122.gif>. Retrieved Dec. 25, 2014.*

(**) Term: **14 Years**

* cited by examiner

(21) Appl. No.: **29/502,171**

(22) Filed: **Sep. 12, 2014**

Primary Examiner — Garth Rademaker
Assistant Examiner — Melanie Pellegrini

(30) **Foreign Application Priority Data**

(74) *Attorney, Agent, or Firm* — Donald J. Ranft; Kristen A. Mogavero; Collen IP

Mar. 12, 2014 (WO) DM/083 128

(51) **LOC (10) Cl.** **11-01**

(52) **U.S. Cl.**
USPC **D11/81**

(57) **CLAIM**
The ornamental design for a charm, as shown.

(58) **Field of Classification Search**
USPC D11/1, 2, 7, 8, 40–43, 44, 45, 46, 47,
D11/48, 56, 79–86, 103, 26–39, 91, 92, 99,
D11/111; 63/18, 19, 20, 26–28, 1.11;
D3/211, 215

DESCRIPTION

See application file for complete search history.

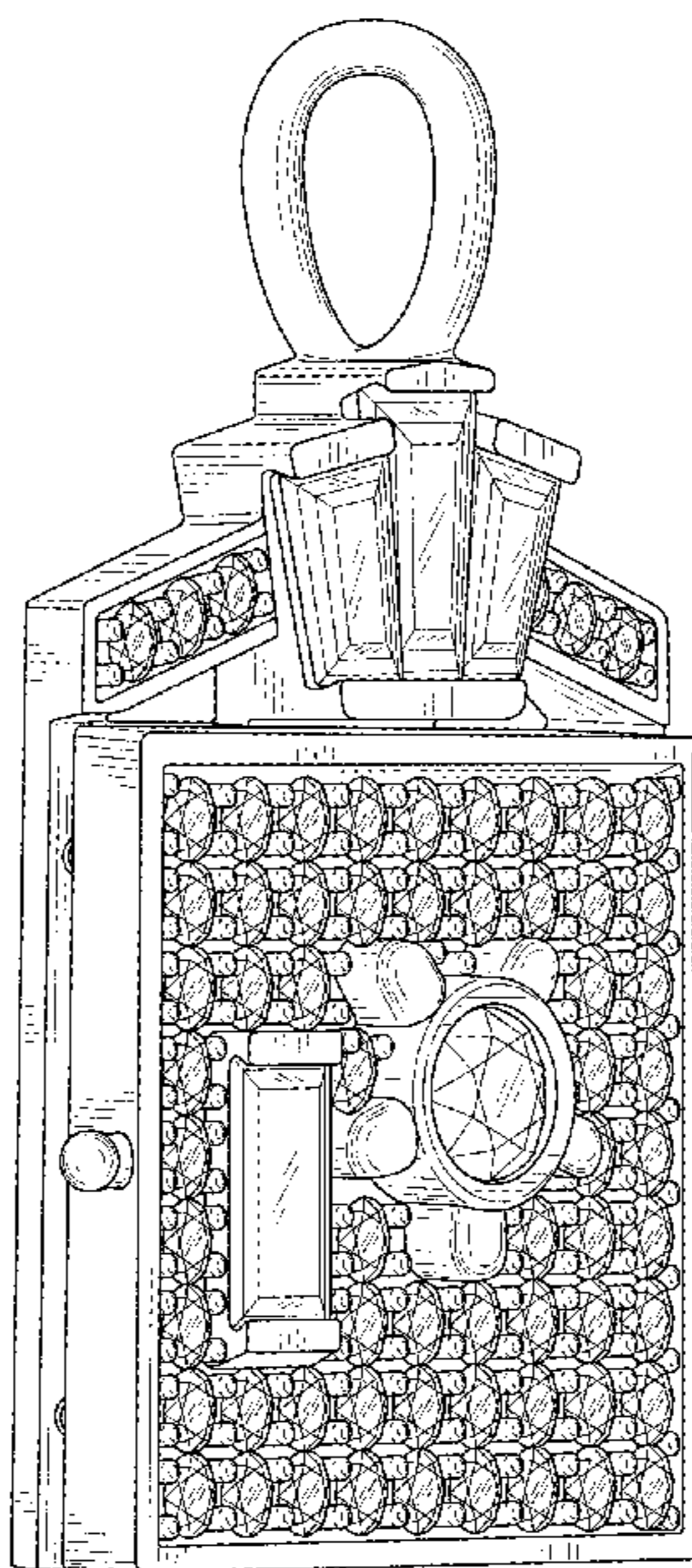
FIG. 1 is a front left perspective view of a charm showing my new design;
FIG. 2 is a front view thereof;
FIG. 3 is a rear view thereof;
FIG. 4 is a left side view thereof;
FIG. 5 is a right side view thereof;
FIG. 6 is a top view thereof;
FIG. 7 is a bottom view thereof;
FIG. 8 is a front open view thereof;
FIG. 9 is a rear open view thereof;
FIG. 10 is a rear left perspective view thereof; and,
FIG. 11 is a front right perspective view thereof.

(56) **References Cited**

U.S. PATENT DOCUMENTS

247,556 A * 9/1881 Goldsmith 63/19
D107,523 S * 12/1937 Lampl D11/81
D114,541 S * 5/1939 Lampl D11/81
D131,567 S * 3/1942 Philippe D11/44
D152,934 S * 3/1949 Zimet D11/44
D209,675 S * 12/1967 Calhoun D11/111
D549,127 S * 8/2007 Peters, Jr. D11/83
D635,484 S * 4/2011 Liechtung D11/79

1 Claim, 9 Drawing Sheets



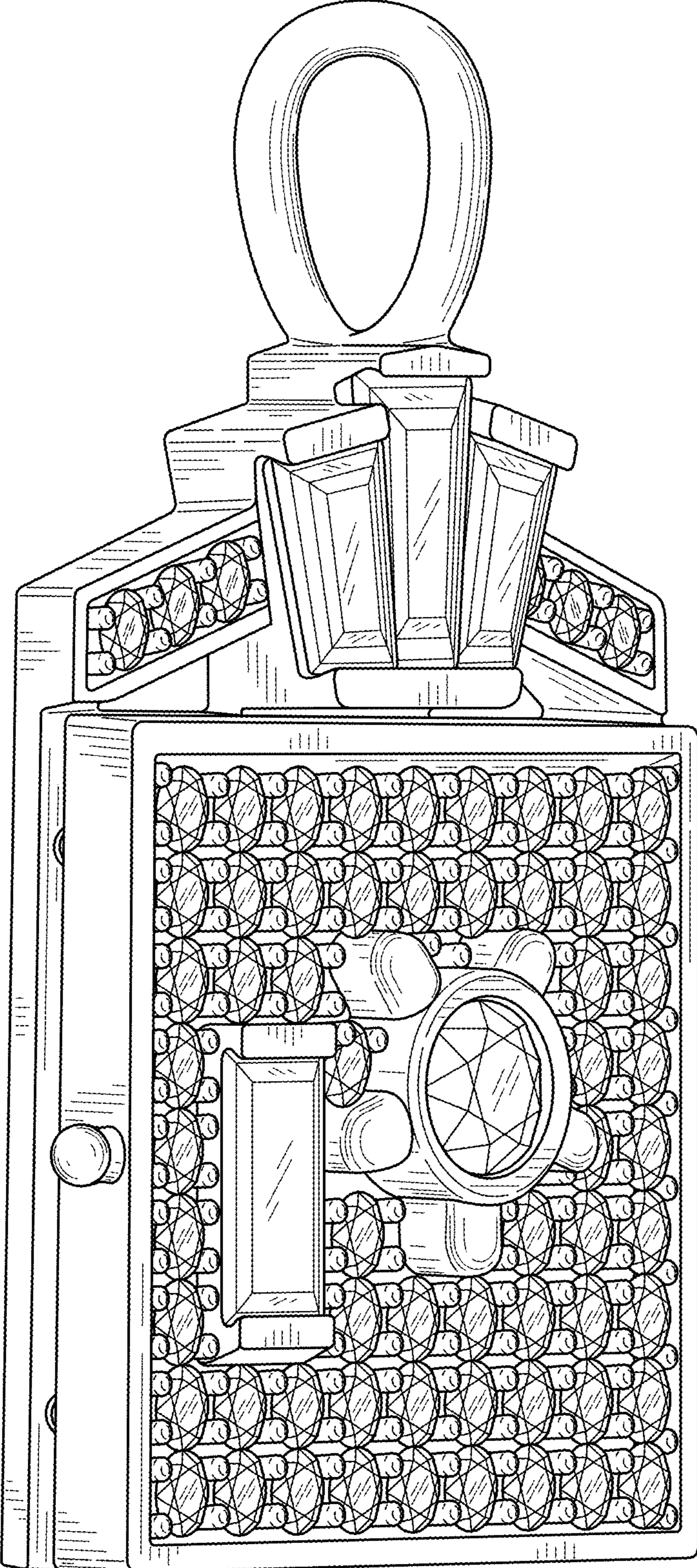


FIG. 1

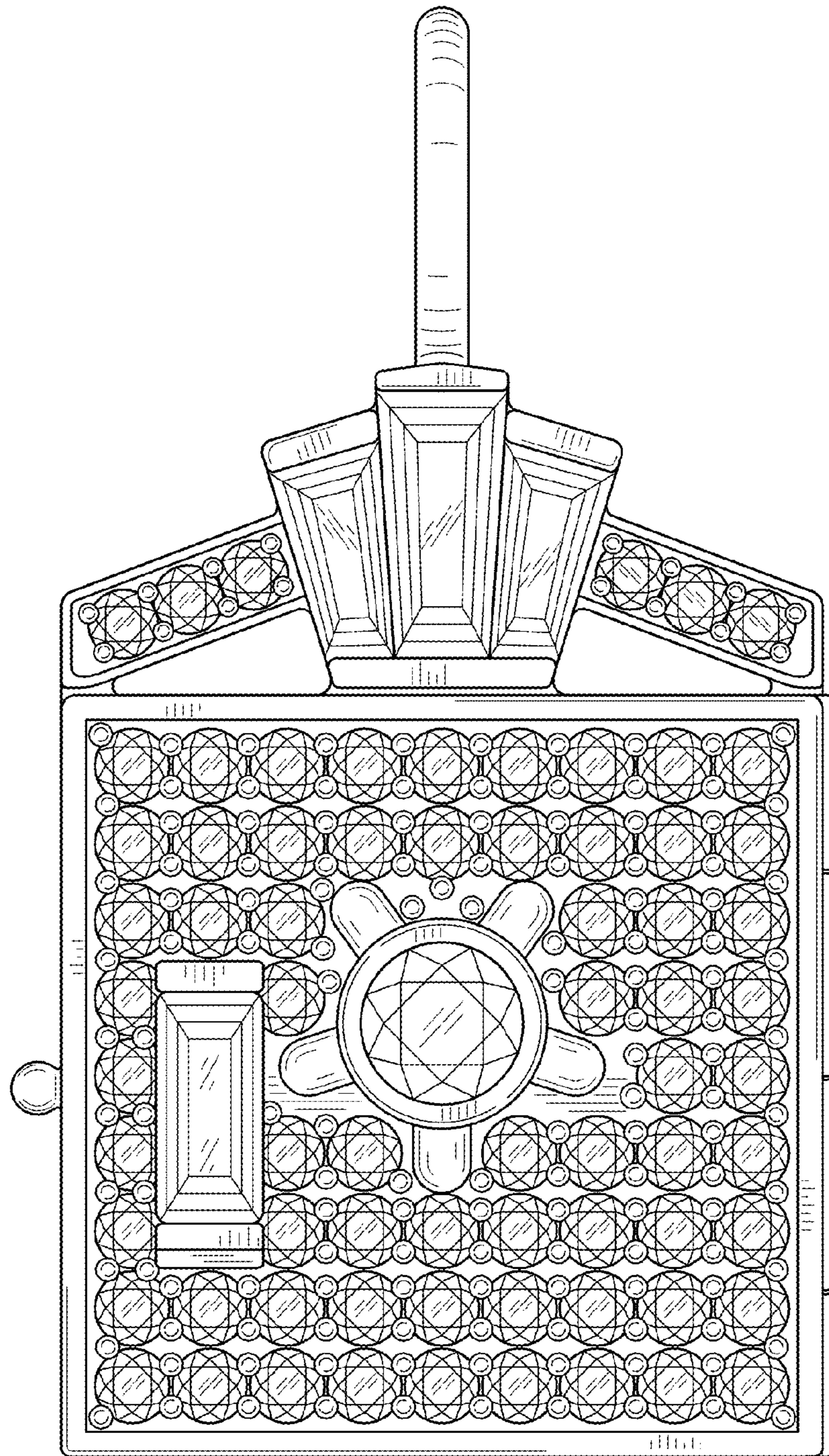


FIG. 2

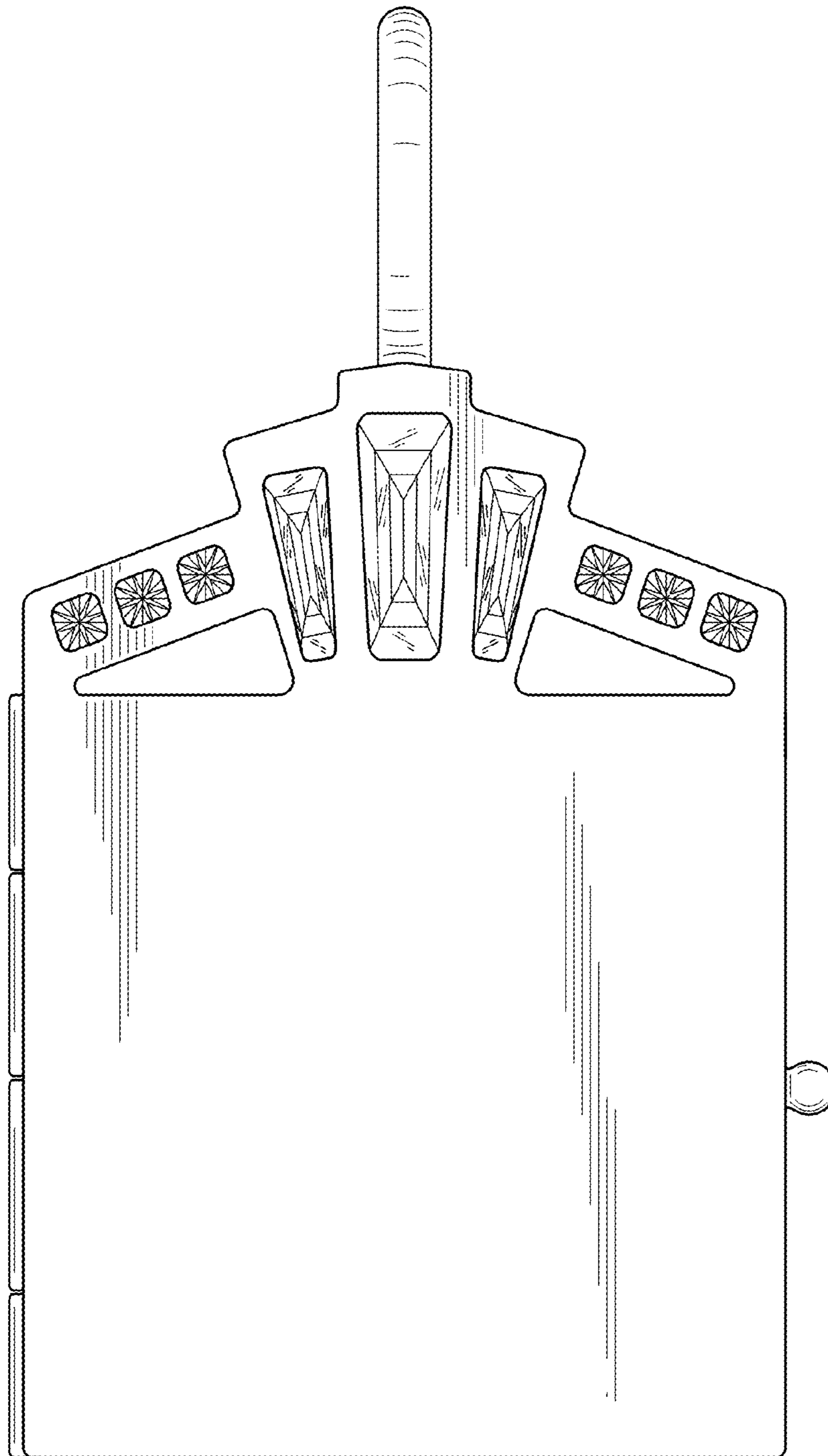


FIG. 3

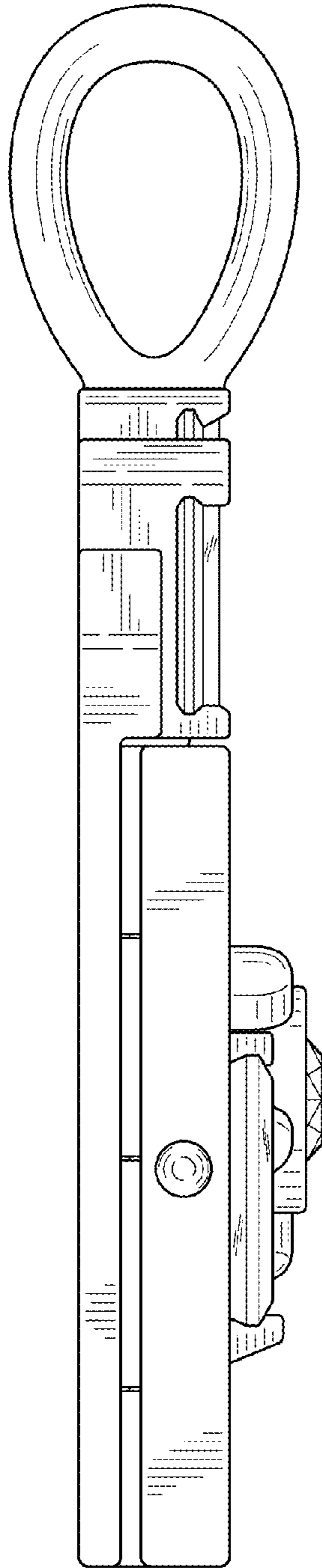


FIG. 4

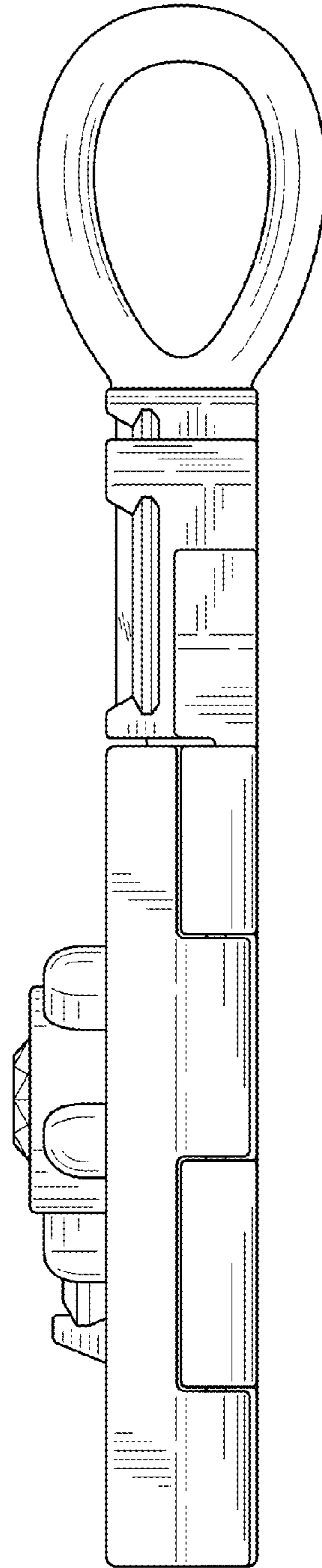


FIG. 5

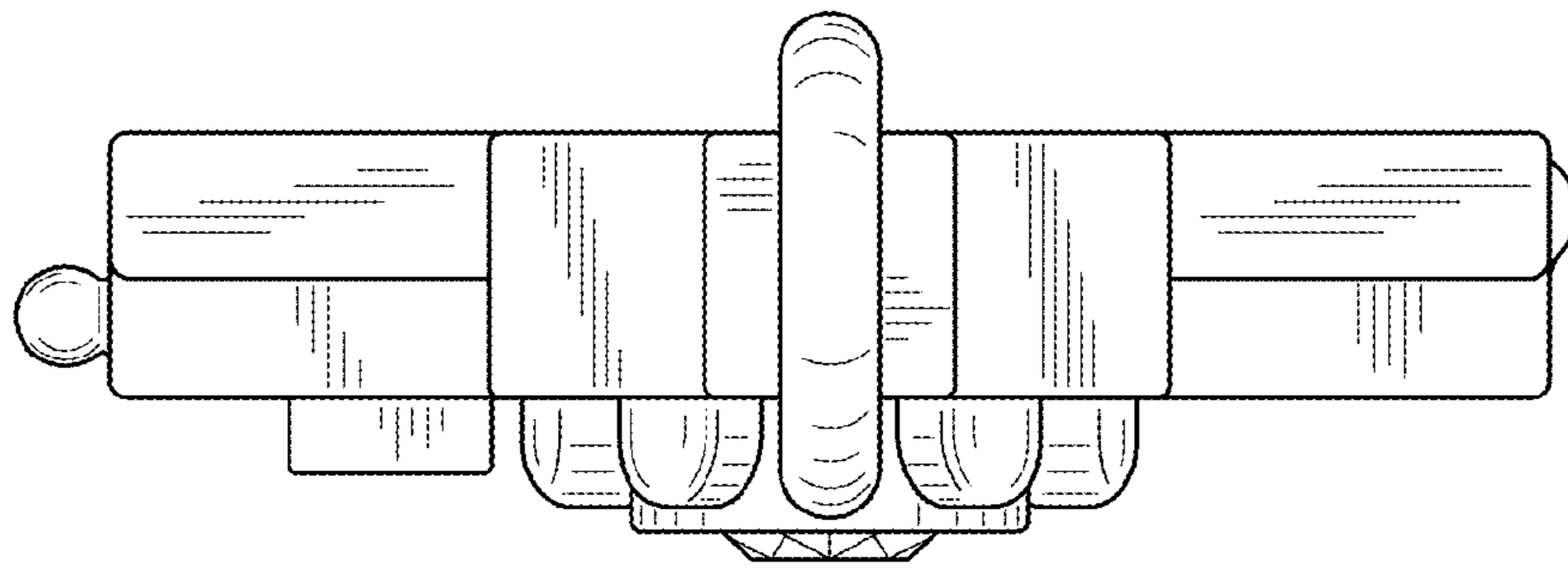


FIG. 6

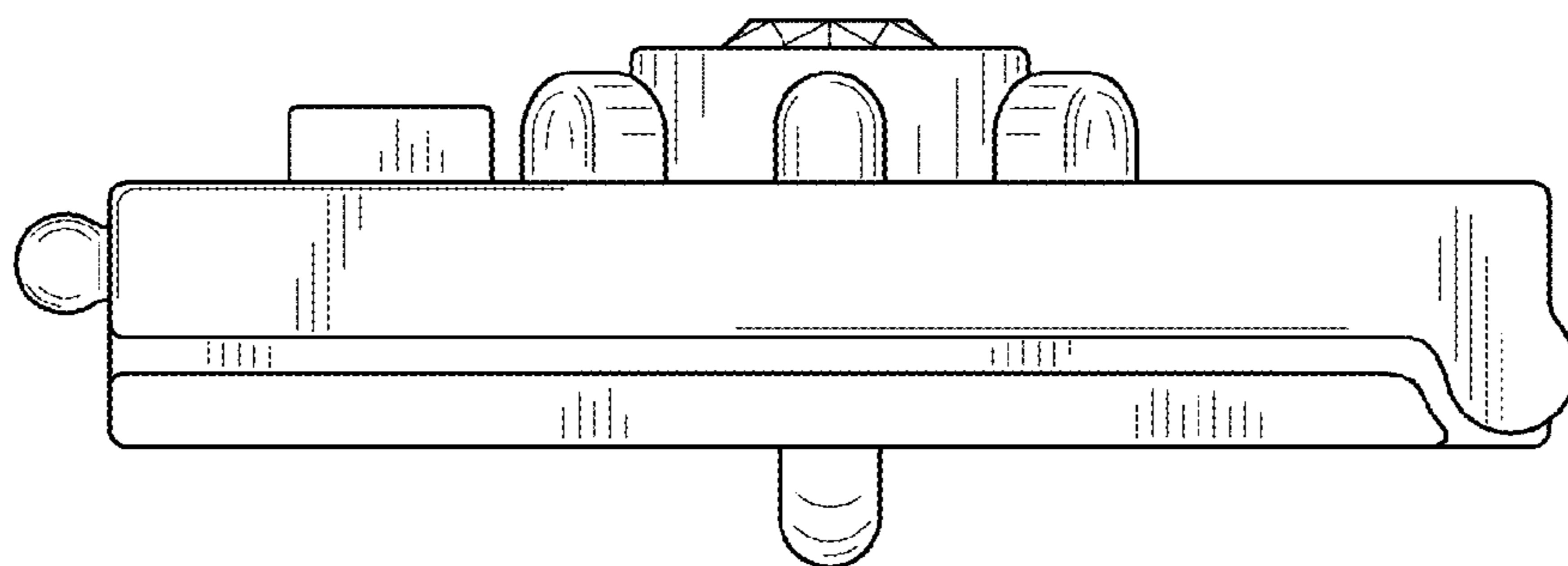


FIG. 7

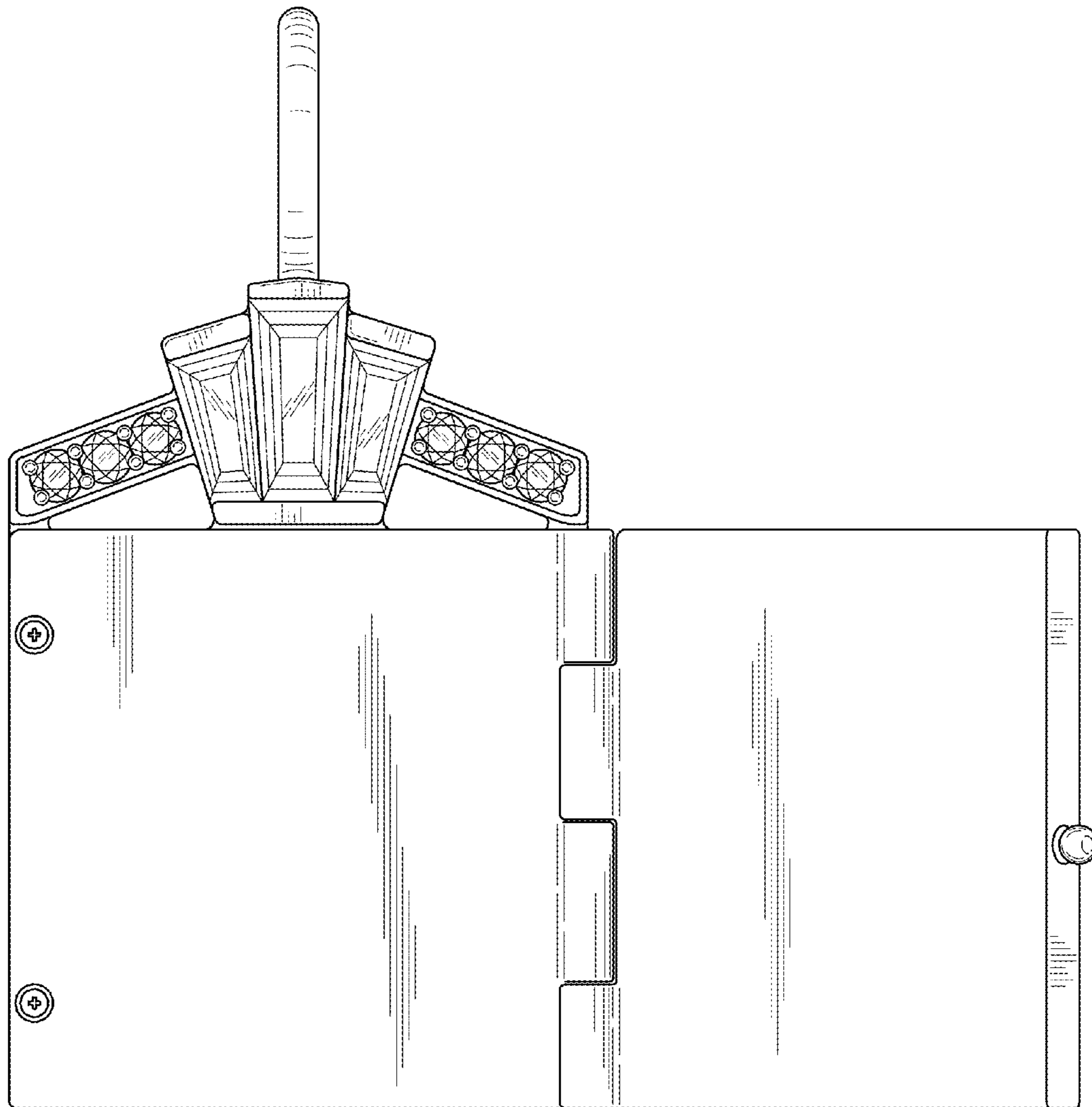


FIG. 8

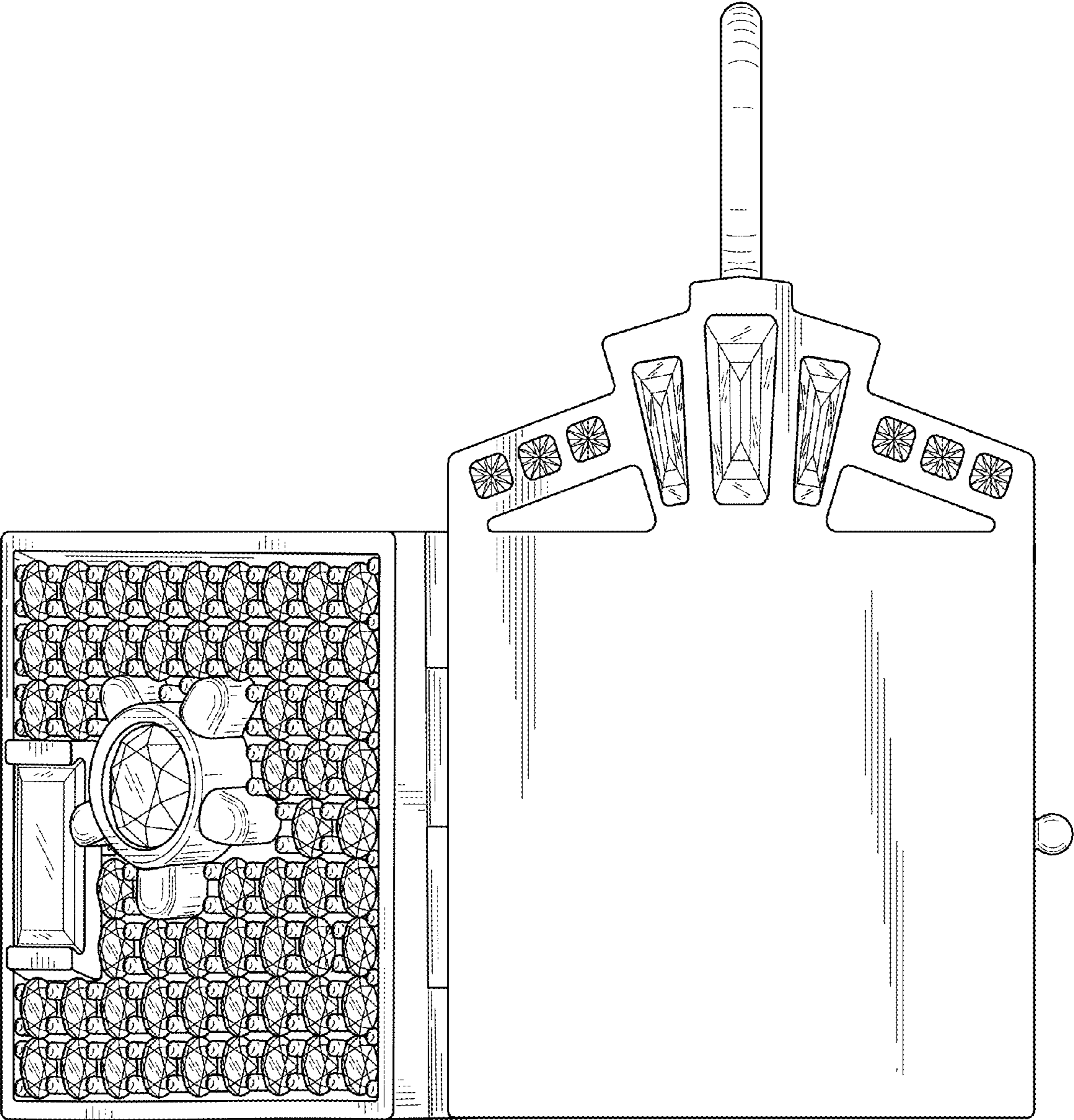


FIG. 9

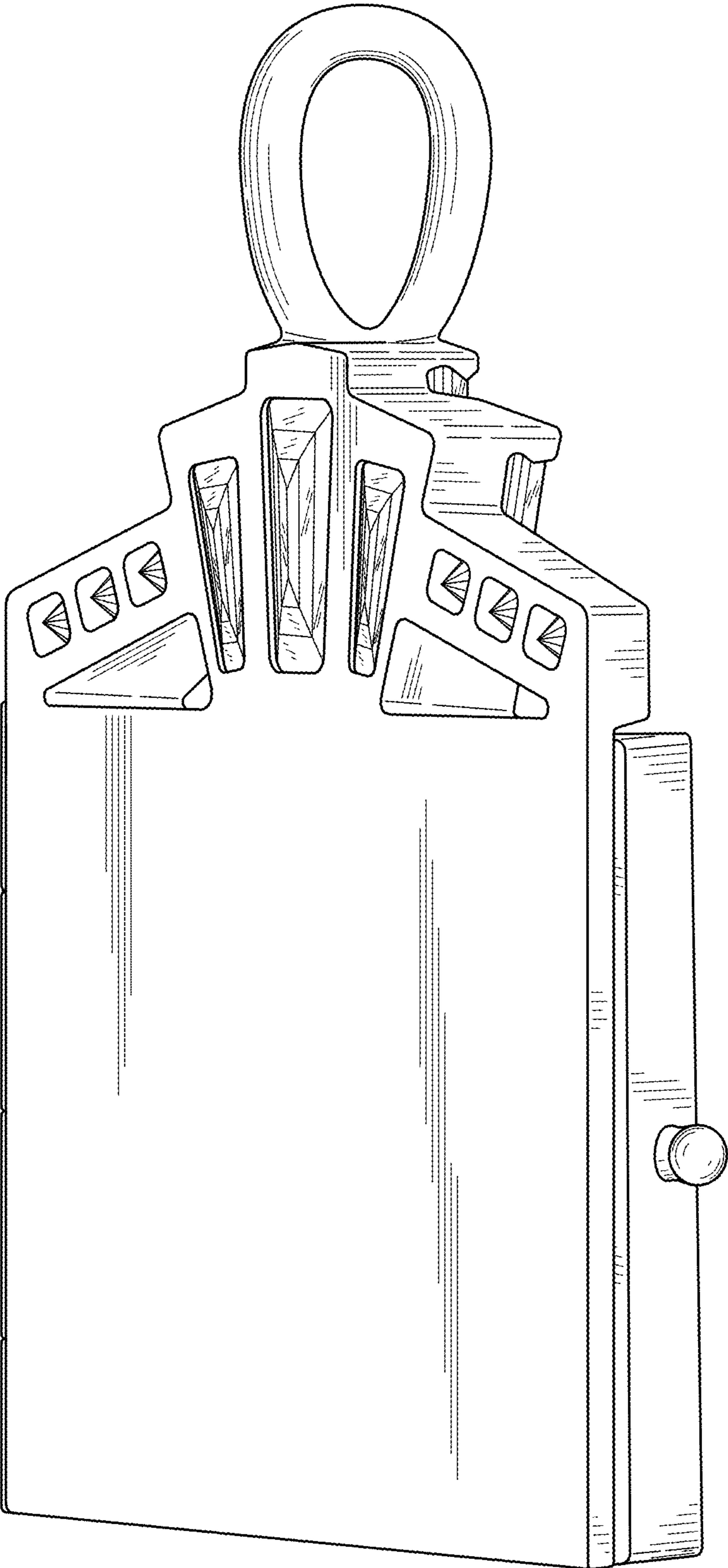


FIG. 10

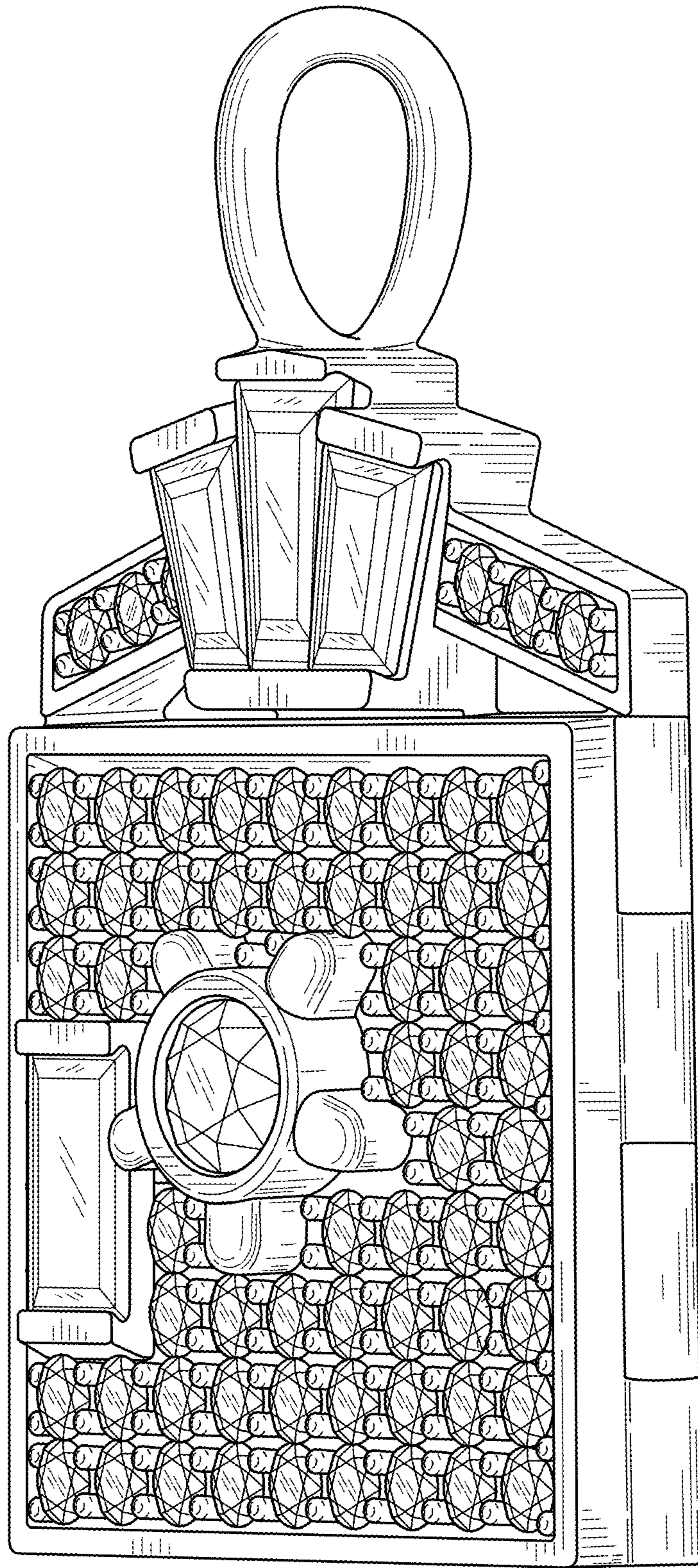


FIG. 11