



US00D729110S

(12) **United States Design Patent**  
**Yatsugi-Kang**

(10) **Patent No.:** **US D729,110 S**

(45) **Date of Patent:** **\*\* May 12, 2015**

(54) **CHARM**

(71) Applicant: **Harry Winston SA**, Plan-les-Ouates (CH)

(72) Inventor: **Rie Yatsugi-Kang**, Cresskill, NJ (US)

(73) Assignee: **Harry Winston SA**, Plan-les-Ouates (CH)

(\*\*) Term: **14 Years**

(21) Appl. No.: **29/501,455**

(22) Filed: **Sep. 4, 2014**

(30) **Foreign Application Priority Data**

Mar. 5, 2014 (WO) ..... DM/083 060

(51) **LOC (10) Cl.** ..... **11-01**

(52) **U.S. Cl.**  
USPC ..... **D11/81**

(58) **Field of Classification Search**  
USPC ..... D11/1, 2, 7, 8, 40-43, 44, 45, 46, 47,  
D11/48, 56, 79-86, 103, 26-39, 91, 92, 99,  
D11/111; 63/18, 19, 20, 26-28, 1.11;  
D3/211, 215

See application file for complete search history.

(56) **References Cited**

**U.S. PATENT DOCUMENTS**

247,556 A \* 9/1881 Goldsmith ..... 63/19  
D107,523 S \* 12/1937 Lampl ..... D11/81  
D114,541 S \* 5/1939 Lampl ..... D11/81  
D131,567 S \* 3/1942 Philippe ..... D11/44  
D152,934 S \* 3/1949 Zimet ..... D11/44  
D209,675 S \* 12/1967 Calhoun ..... D11/111  
D549,127 S \* 8/2007 Peters, Jr. .... D11/83

D635,484 S \* 4/2011 Liechtung ..... D11/79  
D701,788 S \* 4/2014 Pasquetti ..... D11/81  
D718,651 S \* 12/2014 Yatsugi-Kang ..... D11/79  
D719,052 S \* 12/2014 Yatsugi-Kang ..... D11/81

**OTHER PUBLICATIONS**

[Online] <http://www.harrywinston.com/store/jewels/charms-collection/products/diamond-gates-by-harry-winston-in-platinum>.

Retrieved Dec. 25, 2014.\*

[Online] <http://itsabouttimeboutique.com/wp-content/uploads/2014/06/Southern-Gates-Rectangular-Gate-Pendant-570x570.jpg>.

Retrieved Dec. 25, 2014.\*

\* cited by examiner

*Primary Examiner* — Garth Rademaker

*Assistant Examiner* — Melanie Pellegrini

(74) *Attorney, Agent, or Firm* — Donald J. Ranft; Kristen A. Mogavero; Colleen IP

(57) **CLAIM**

The ornamental design for a charm, as shown.

**DESCRIPTION**

FIG. 1 is a front left perspective view of a charm showing my new design;

FIG. 2 is a rear right perspective view thereof;

FIG. 3 is a front view thereof;

FIG. 4 is a rear view thereof;

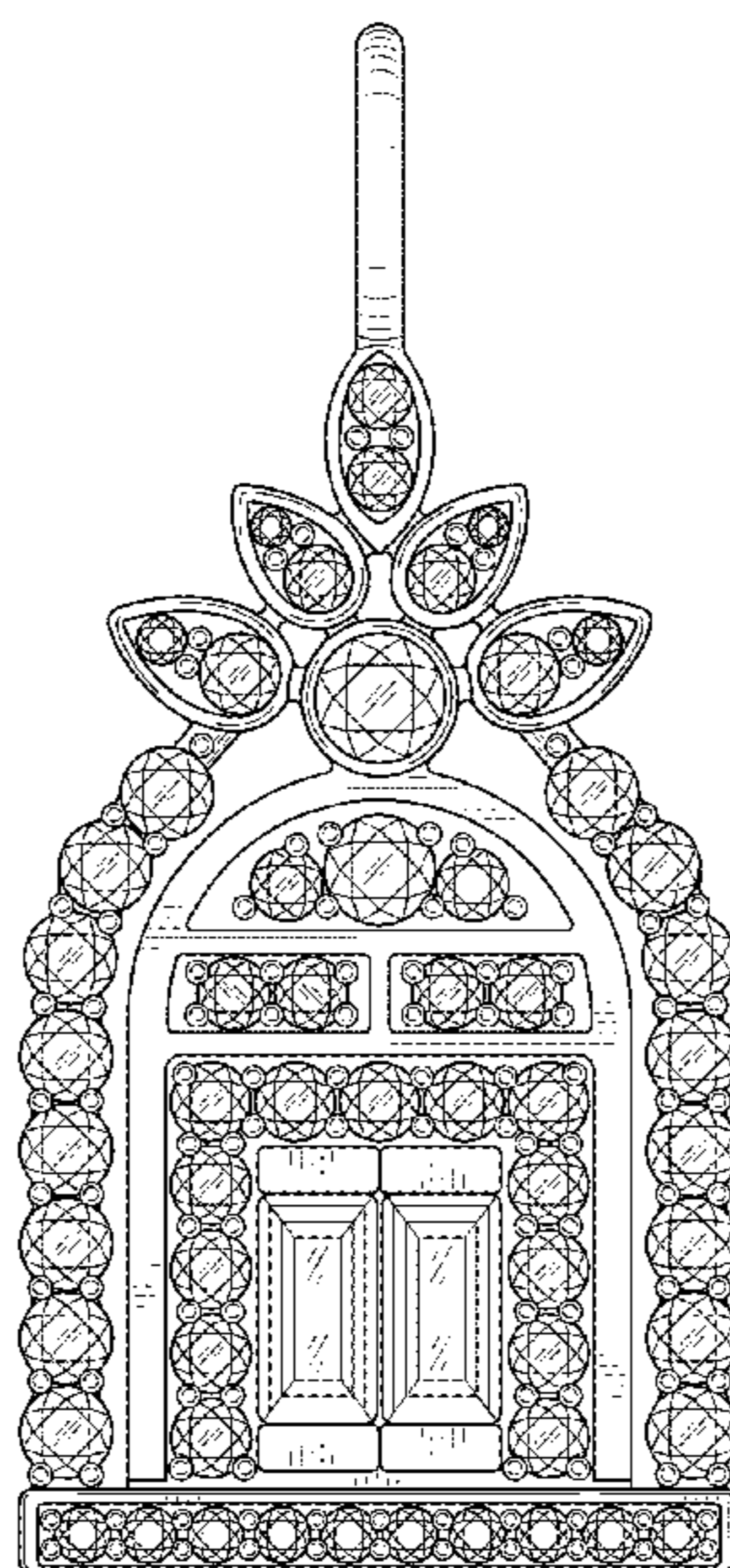
FIG. 5 is a right side view thereof;

FIG. 6 is a left side view thereof;

FIG. 7 is a top view thereof; and,

FIG. 8 is a bottom view thereof.

**1 Claim, 3 Drawing Sheets**



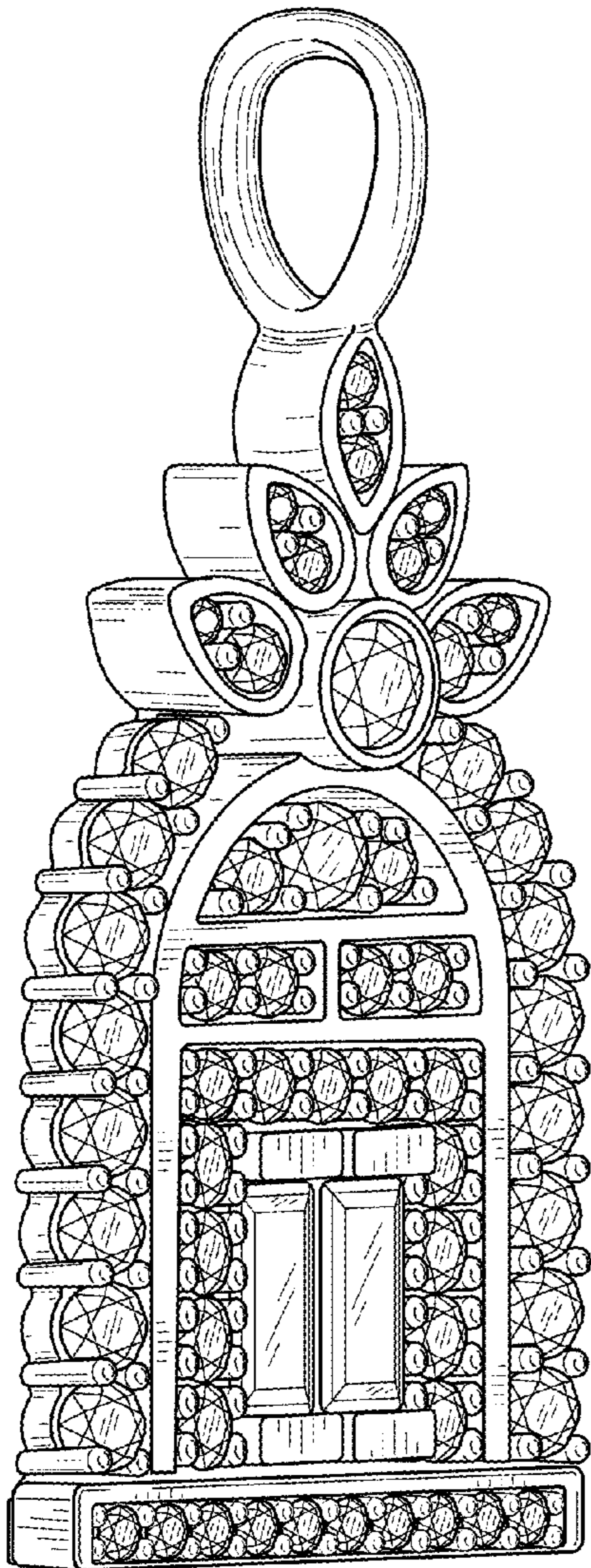


FIG. 1

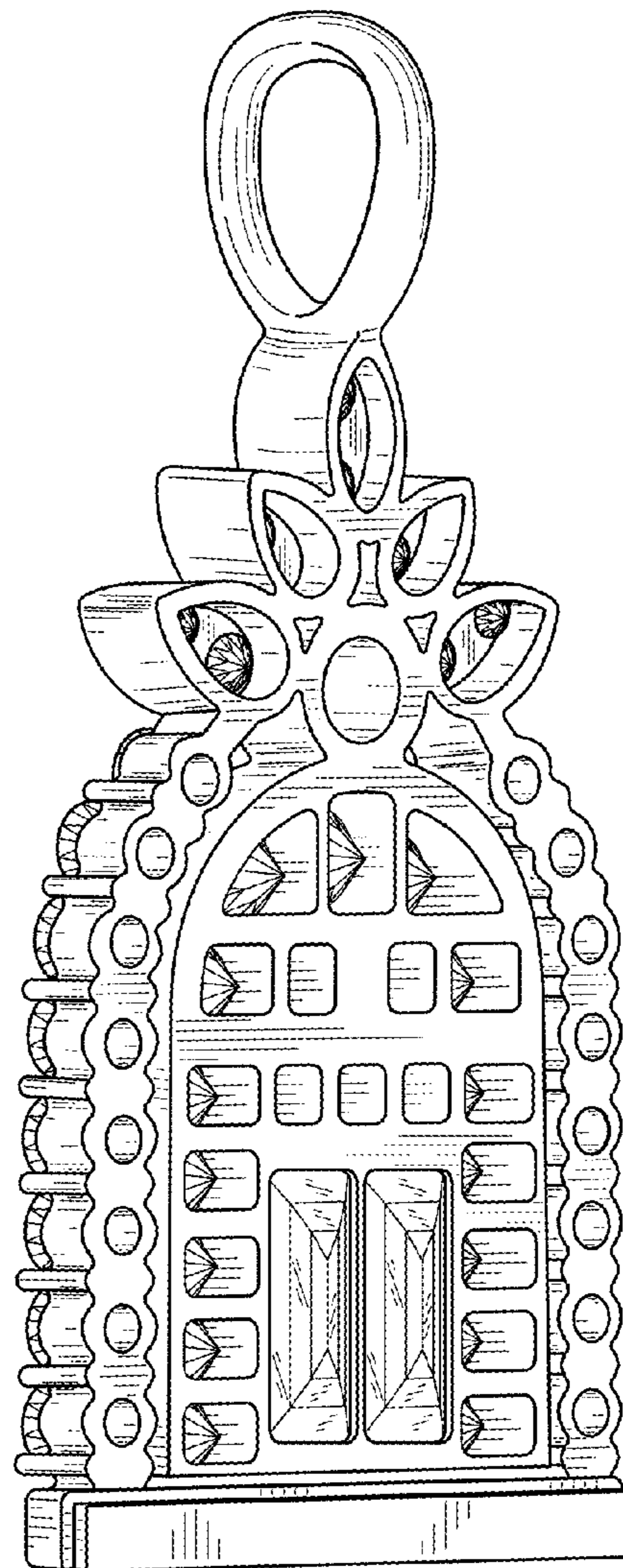


FIG. 2

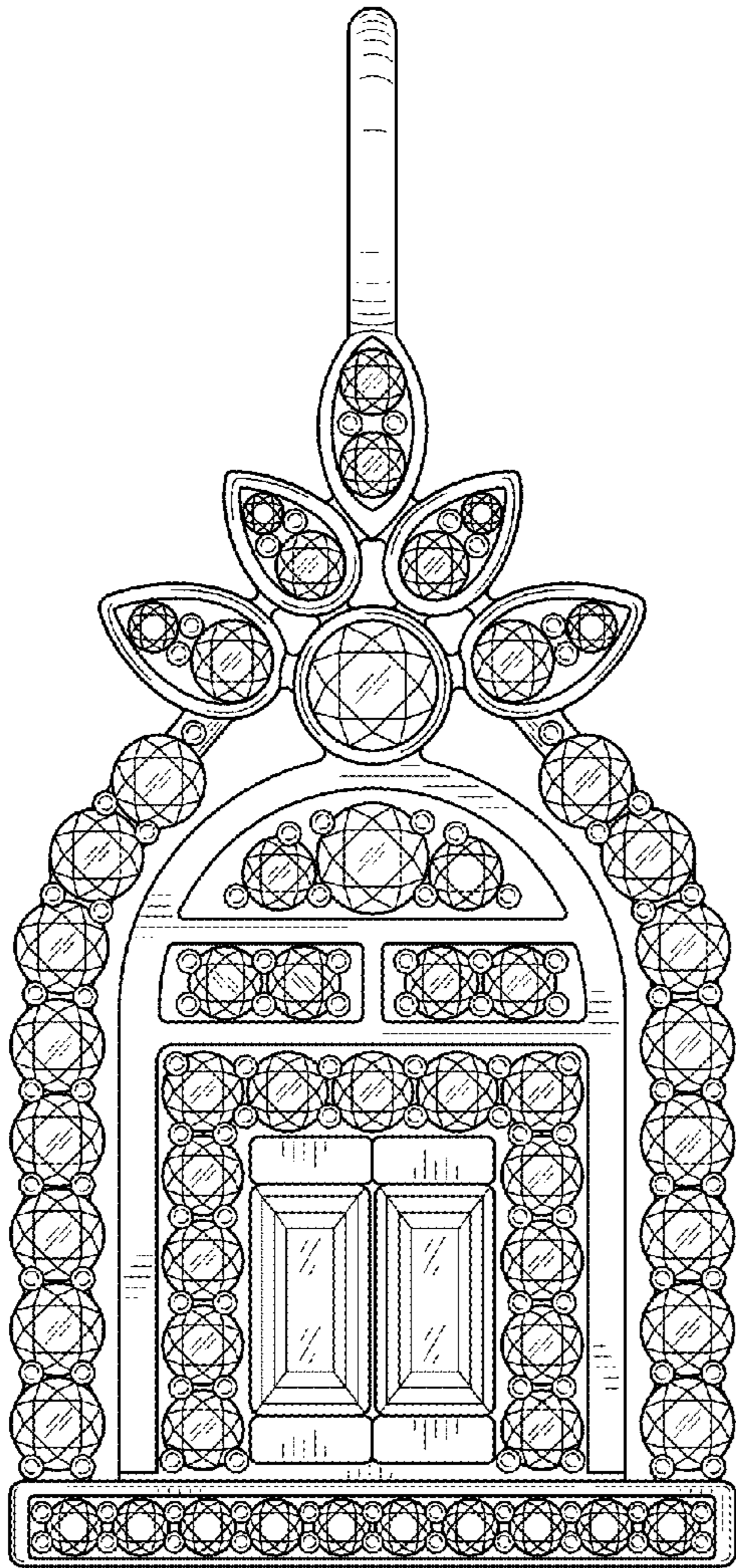


FIG. 3

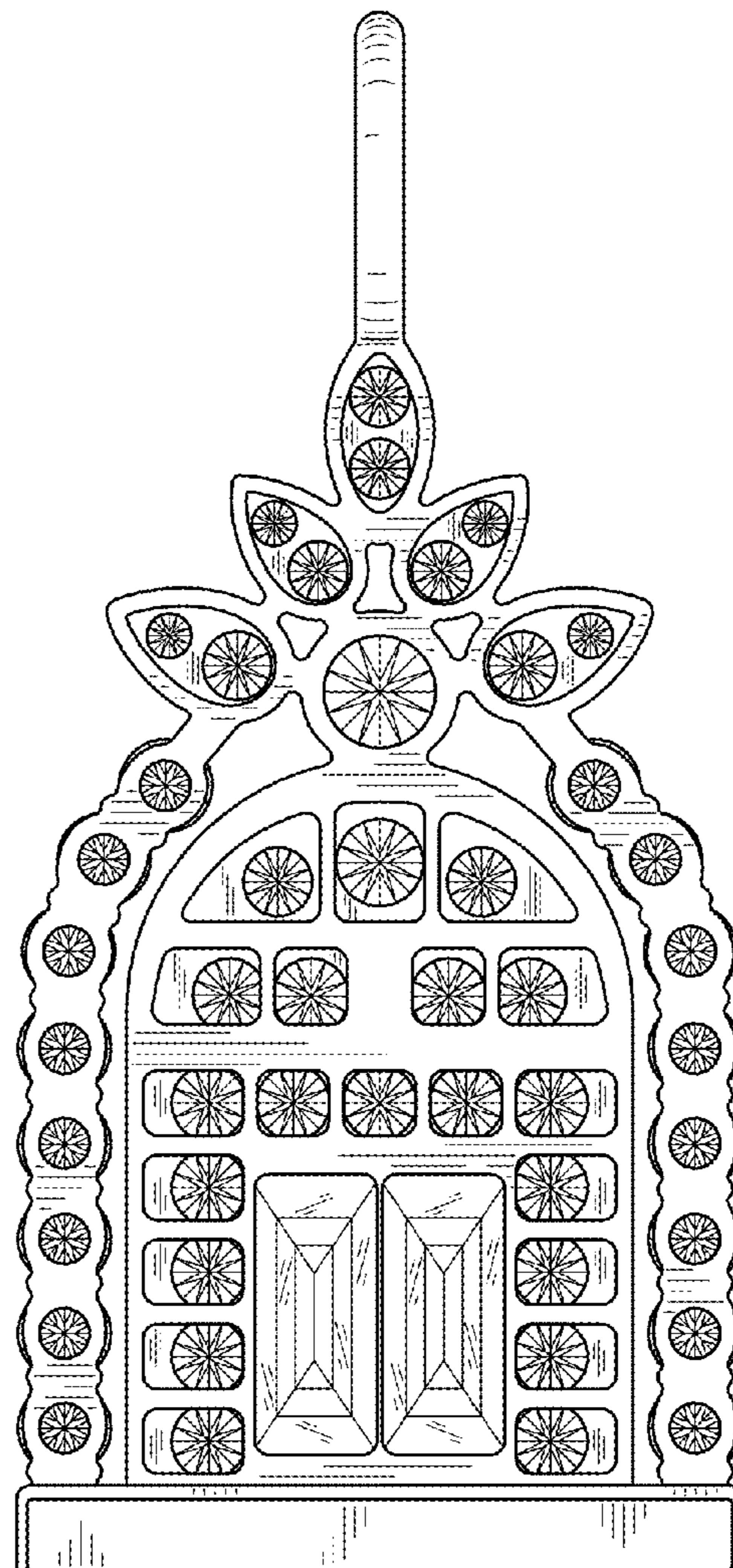


FIG. 4

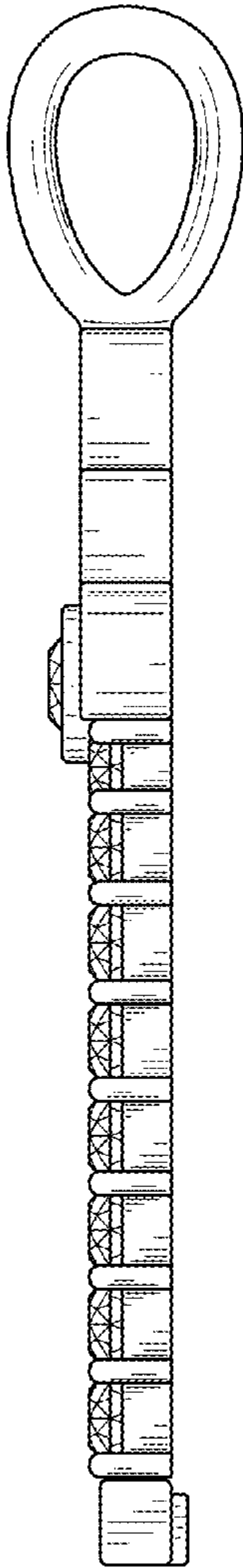


FIG. 5

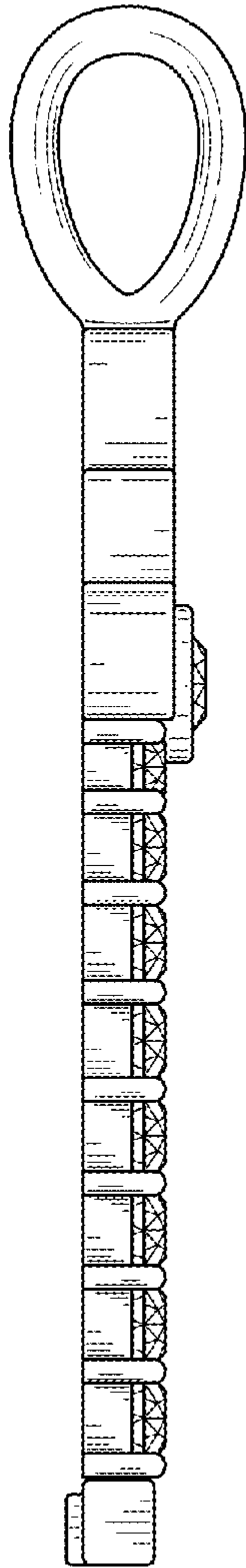


FIG. 6

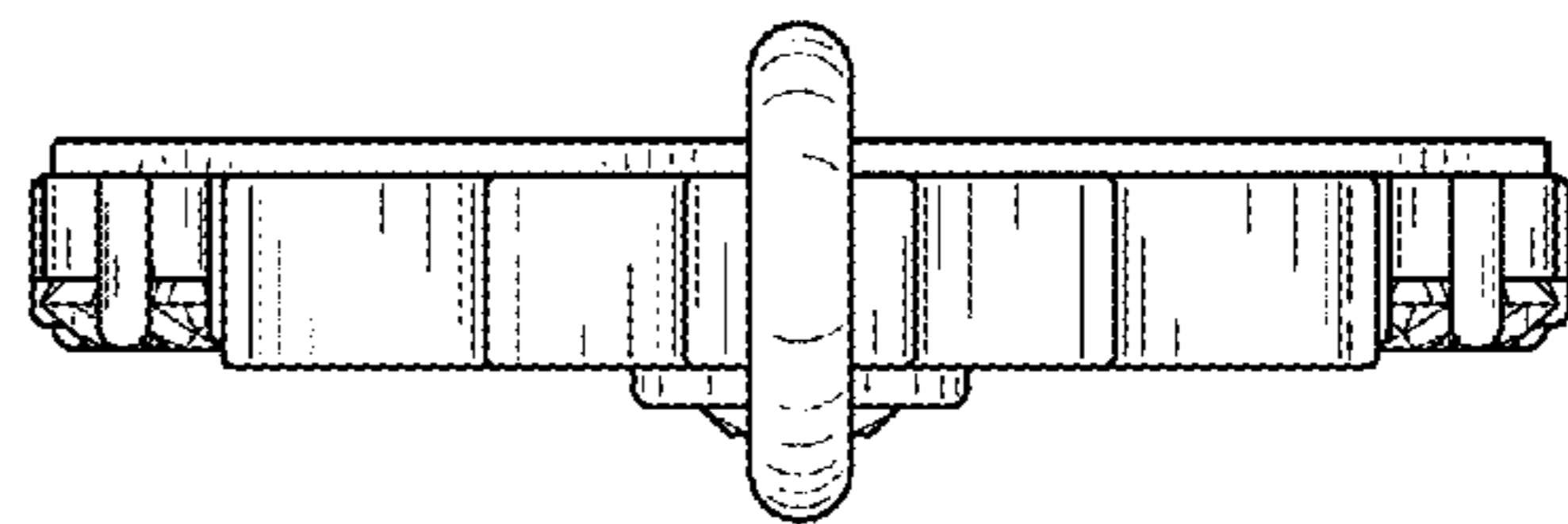


FIG. 7

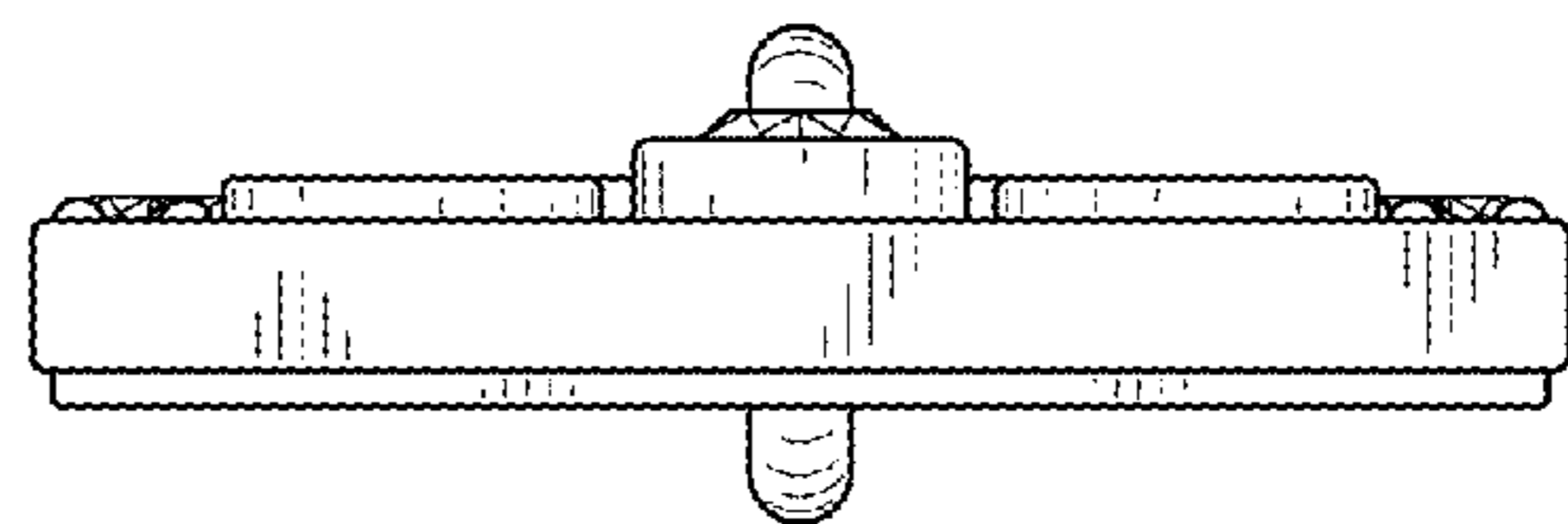


FIG. 8