



US00D729109S

(12) **United States Design Patent**  
**Tavone**

(10) **Patent No.:** **US D729,109 S**

(45) **Date of Patent:** **\*\* \*May 12, 2015**

(54) **BAND WITH RECTANGULAR ATTACHMENT**

(71) Applicant: **John H. Tavone**, Fort Lauderdale, FL  
(US)

(72) Inventor: **John H. Tavone**, Fort Lauderdale, FL  
(US)

(\*) Notice: This patent is subject to a terminal disclaimer.

(\*\*) Term: **14 Years**

(21) Appl. No.: **29/460,248**

(22) Filed: **Jul. 9, 2013**

(51) **LOC (10) Cl.** ..... **11-01**

(52) **U.S. Cl.**  
USPC ..... **D11/78.1**

(58) **Field of Classification Search**  
CPC ..... A44B 21/00; A45C 11/00; A45C 11/18  
USPC ..... D11/78.1, 215; D3/215, 247; 40/630,  
40/633; D19/26; 244/222; D8/395; 24/60,  
24/485, 178; 206/37

See application file for complete search history.

(56) **References Cited**

**U.S. PATENT DOCUMENTS**

152,876 A \* 7/1874 Smith ..... 24/17 A  
212,578 A \* 2/1879 Smith ..... 24/17 A

5,279,019 A \* 1/1994 Knickle ..... 24/17 B  
D428,823 S \* 8/2000 Davi ..... D11/78.1  
6,230,878 B1 \* 5/2001 Lehr ..... 206/37  
D447,438 S \* 9/2001 DiLibero ..... D11/78.1  
D527,898 S 9/2006 Tavone  
7,125,049 B2 10/2006 Goldberg et al.  
D534,584 S 1/2007 Goldberg et al.  
D537,752 S 3/2007 Goldberg et al.  
D587,158 S \* 2/2009 Trapani et al. .... D11/78.1  
7,748,086 B2 \* 7/2010 Bridgefarmer ..... 24/17 B  
8,240,010 B2 \* 8/2012 O'Donnell ..... 24/67.5  
8,621,723 B2 \* 1/2014 Meissner ..... 24/3.1  
D707,584 S \* 6/2014 Webb ..... D11/87  
2005/0225074 A1 10/2005 Goldberg et al.

\* cited by examiner

*Primary Examiner* — Ralf Seifert

(74) *Attorney, Agent, or Firm* — Millen, White, Zelano & Branigan, P.C.

(57) **CLAIM**

The ornamental design for a band with rectangular attachment, as shown and described.

**DESCRIPTION**

FIG. 1 is a perspective view of the band with rectangular attachment in an environment of use showing my new design. FIG. 2 is another perspective view thereof.

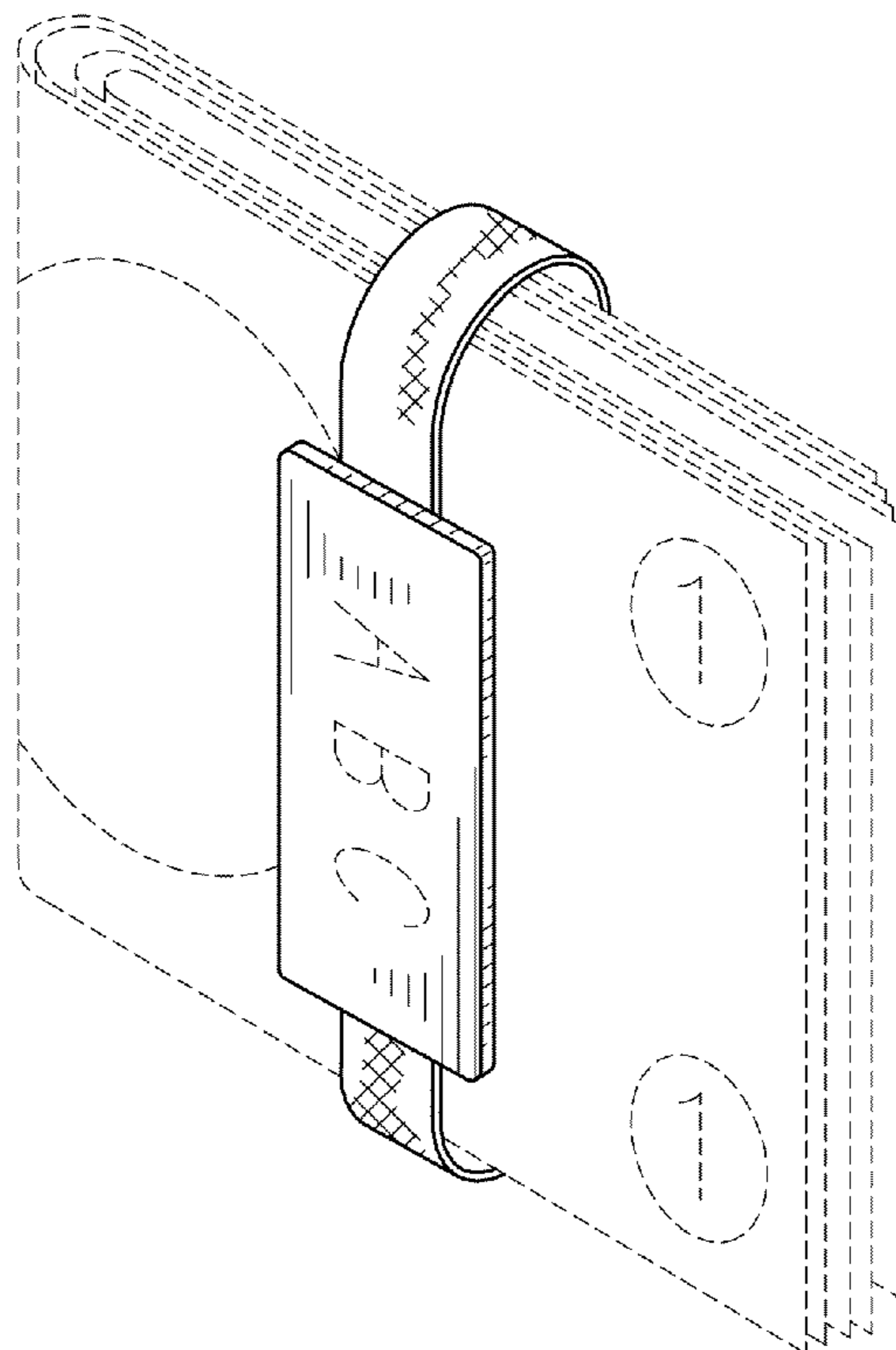
FIG. 3 is a front view thereof.

FIG. 4 is a back view thereof.

FIG. 5 is a side view thereof; and,

FIG. 6 is top view thereof.

**1 Claim, 3 Drawing Sheets**



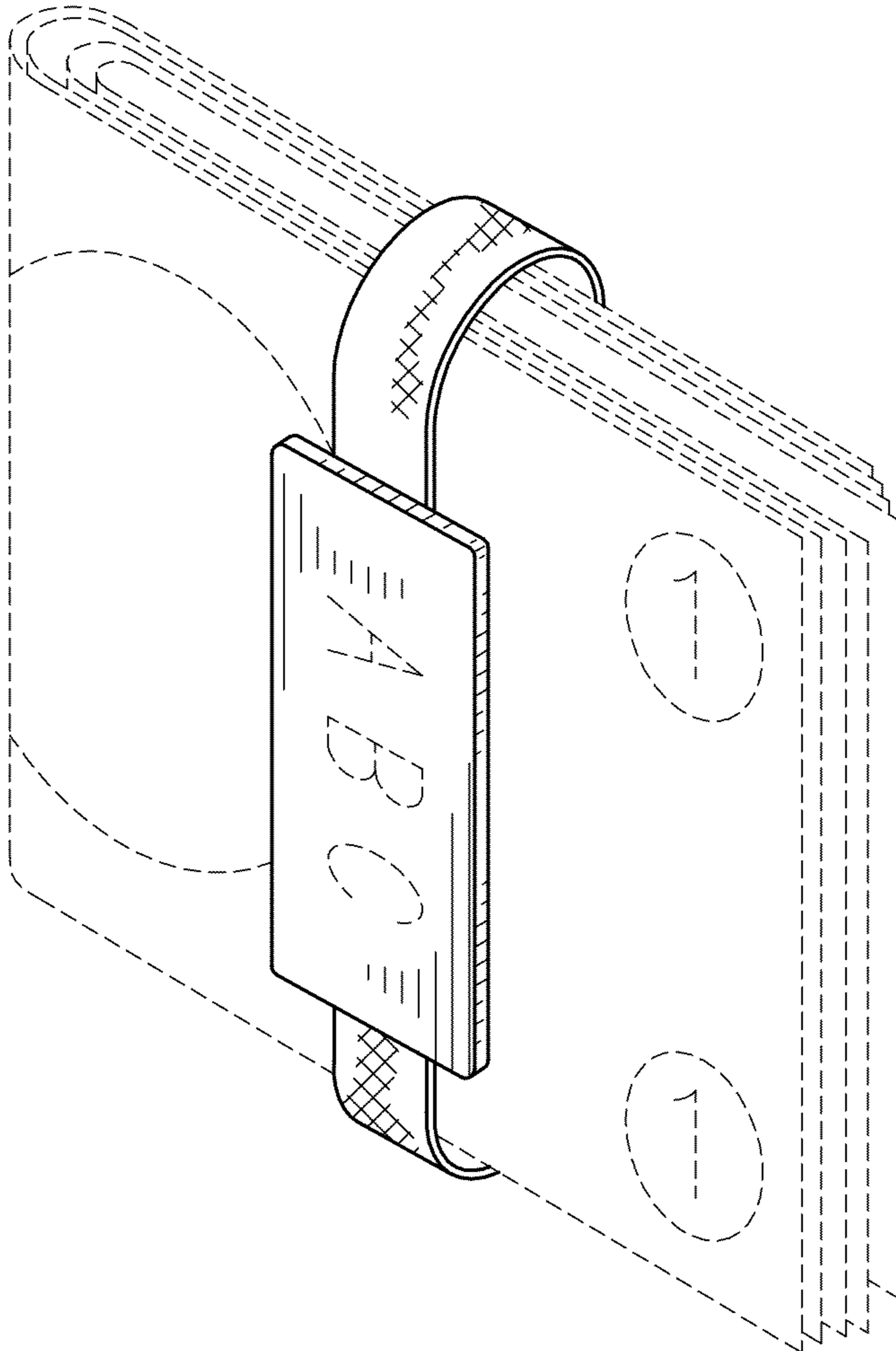


FIG. 1

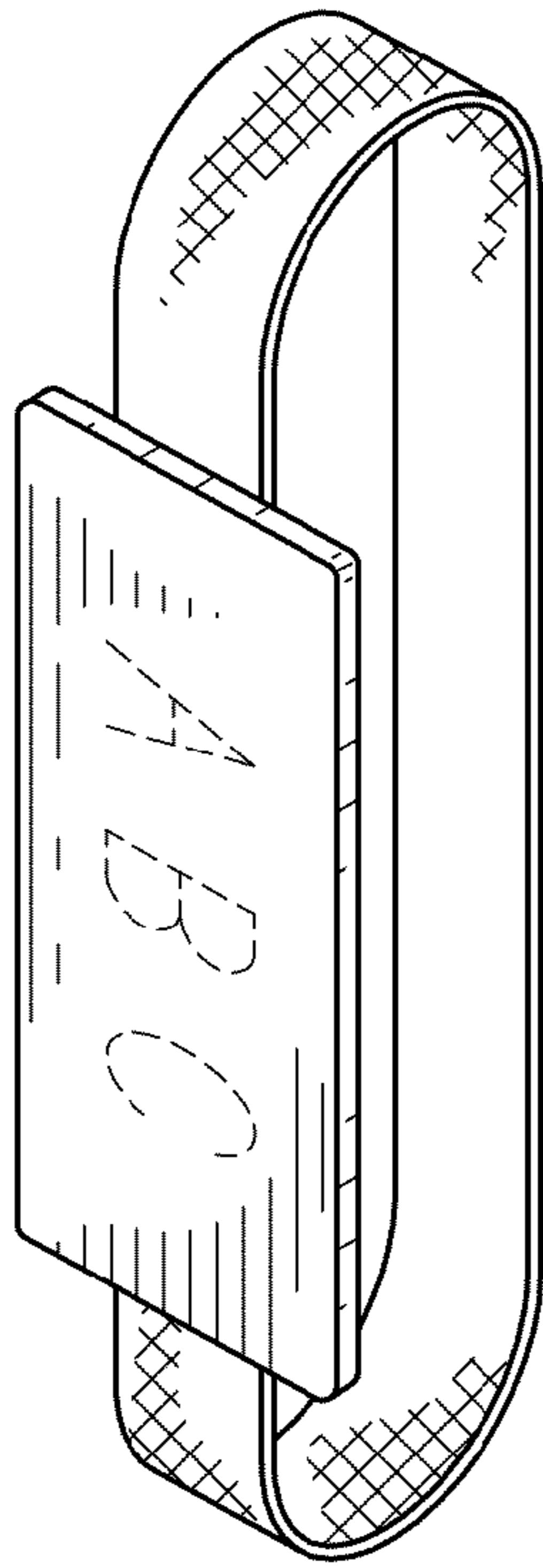


FIG. 2

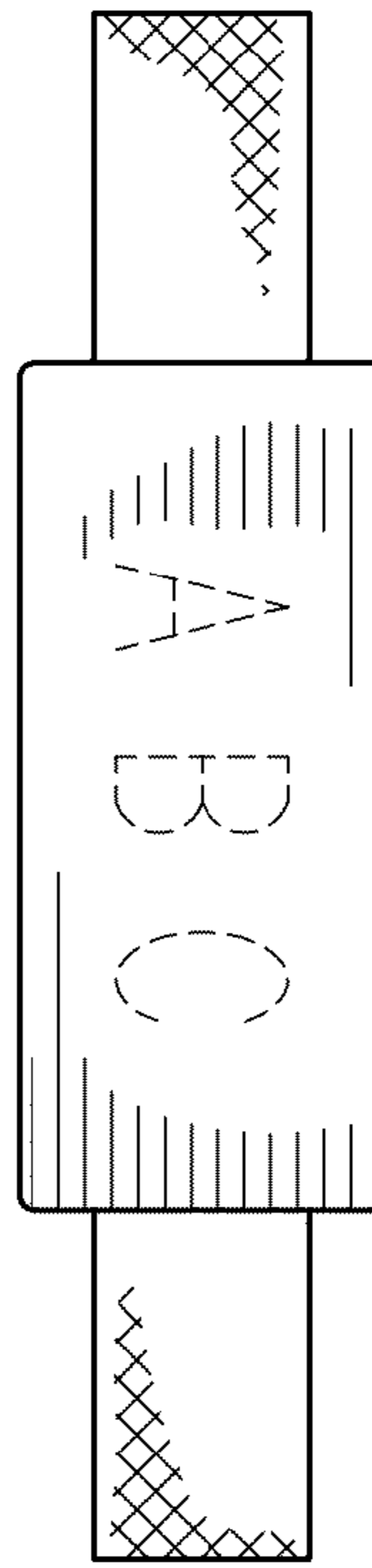


FIG. 3

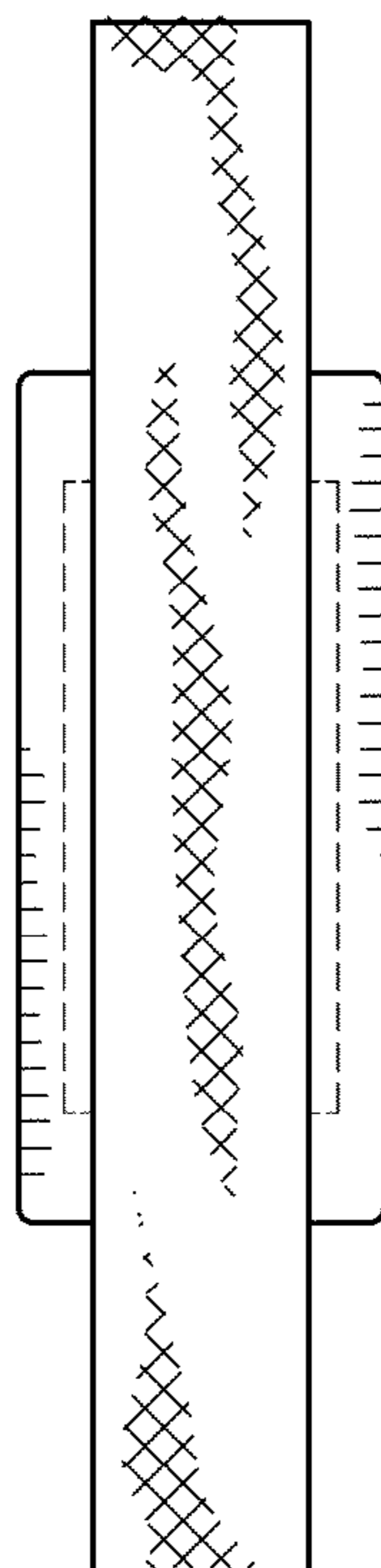


FIG. 4

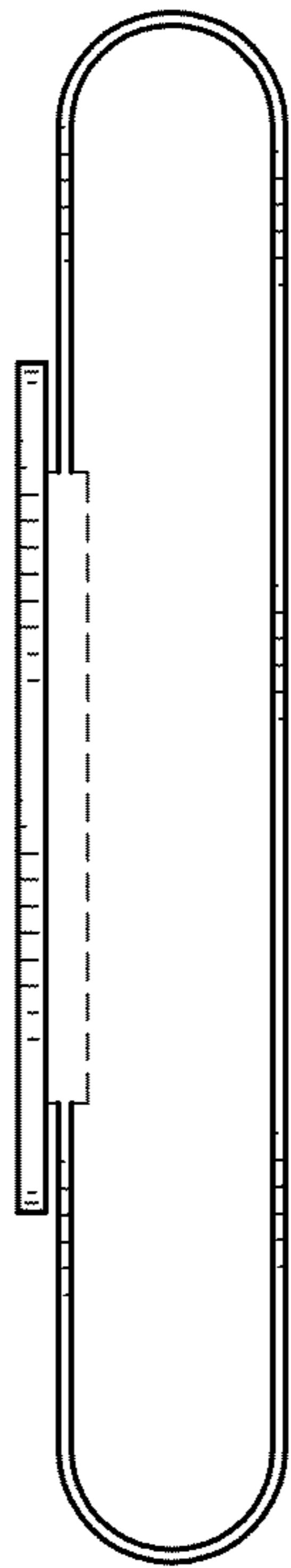


FIG. 5

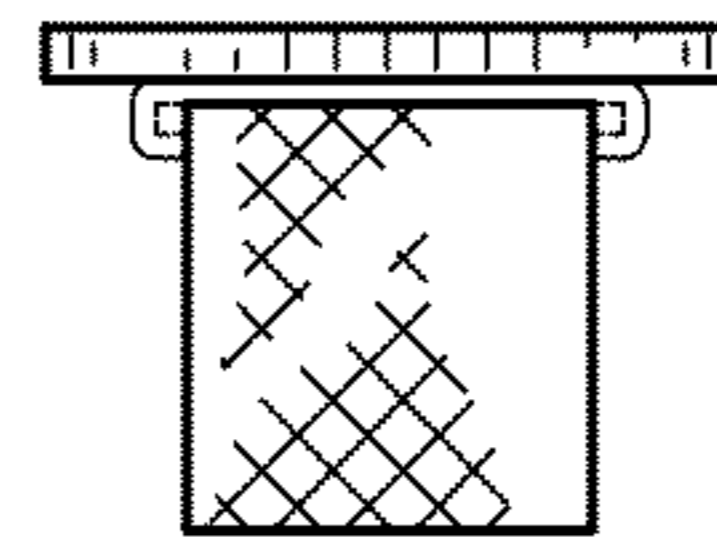


FIG. 6